



US00D628537S

(12) **United States Design Patent**
Nagata et al.

(10) **Patent No.:** **US D628,537 S**
(45) **Date of Patent:** **** Dec. 7, 2010**

(54) **ELECTRICAL CONNECTOR**

(75) Inventors: **Takayuki Nagata**, Osaka (JP); **Takahisa Ohtsuji**, Osaka (JP)

(73) Assignee: **Hosiden Corporation**, Osaka (JP)

(**) Term: **14 Years**

(21) Appl. No.: **29/355,539**

(22) Filed: **Feb. 9, 2010**

Related U.S. Application Data

(62) Division of application No. 29/306,714, filed on Apr. 15, 2008, now Pat. No. Des. 613,249.

(30) **Foreign Application Priority Data**

Oct. 15, 2007	(JP)	2007-028040
Oct. 15, 2007	(JP)	2007-028041
Jan. 25, 2008	(JP)	2008-001388
Jan. 25, 2008	(JP)	2008-001389

(51) **LOC (9) Cl.** **13-03**

(52) **U.S. Cl.** **D13/147; D13/153**

(58) **Field of Classification Search** D13/146-147, D13/153, 154, 184; D21/324, 333, 385; 439/350, 352, 358, 447, 578, 584, 585, 607.01, 439/607.04, 607.05, 607.17, 607.25, 607.34, 439/607.41, 607.53, 660, 680, 682, 686
See application file for complete search history.

(56) **References Cited**

U.S. PATENT DOCUMENTS

D416,233 S 11/1999 Tsai

D416,542 S	11/1999	Tsai
D416,868 S	11/1999	Tsai
D442,553 S	5/2001	Urban et al.
D493,144 S	7/2004	Cheng et al.

Primary Examiner—Daniel D Bui

(74) *Attorney, Agent, or Firm*—Panitch Schwarze Belisario & Nadel LLP

(57) **CLAIM**

The ornamental design for an electrical connector, as shown and described.

DESCRIPTION

FIG. 1 is a front, left side and bottom perspective view of an electrical connector in accordance with our new design;

FIG. 2 is a front elevation view thereof;

FIG. 3 is a rear elevation view thereof;

FIG. 4 is a left side elevation view thereof;

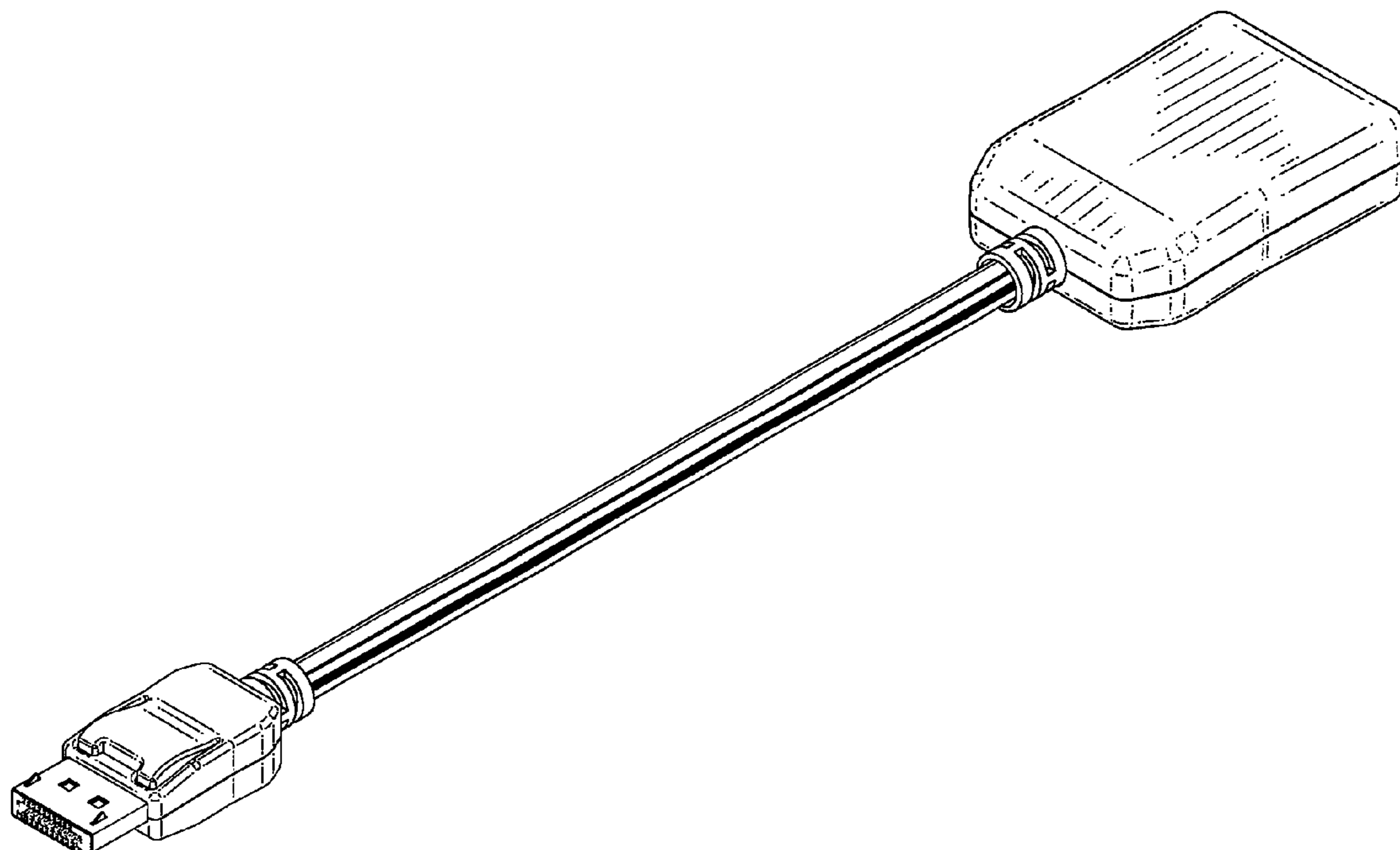
FIG. 5 is a right side elevation view thereof;

FIG. 6 is a top plan view thereof; and,

FIG. 7 is a bottom plan view thereof.

The broken lines in FIGS. 1, 4 and 5 are for illustrative purposes only and form no part of the claimed design.

1 Claim, 3 Drawing Sheets



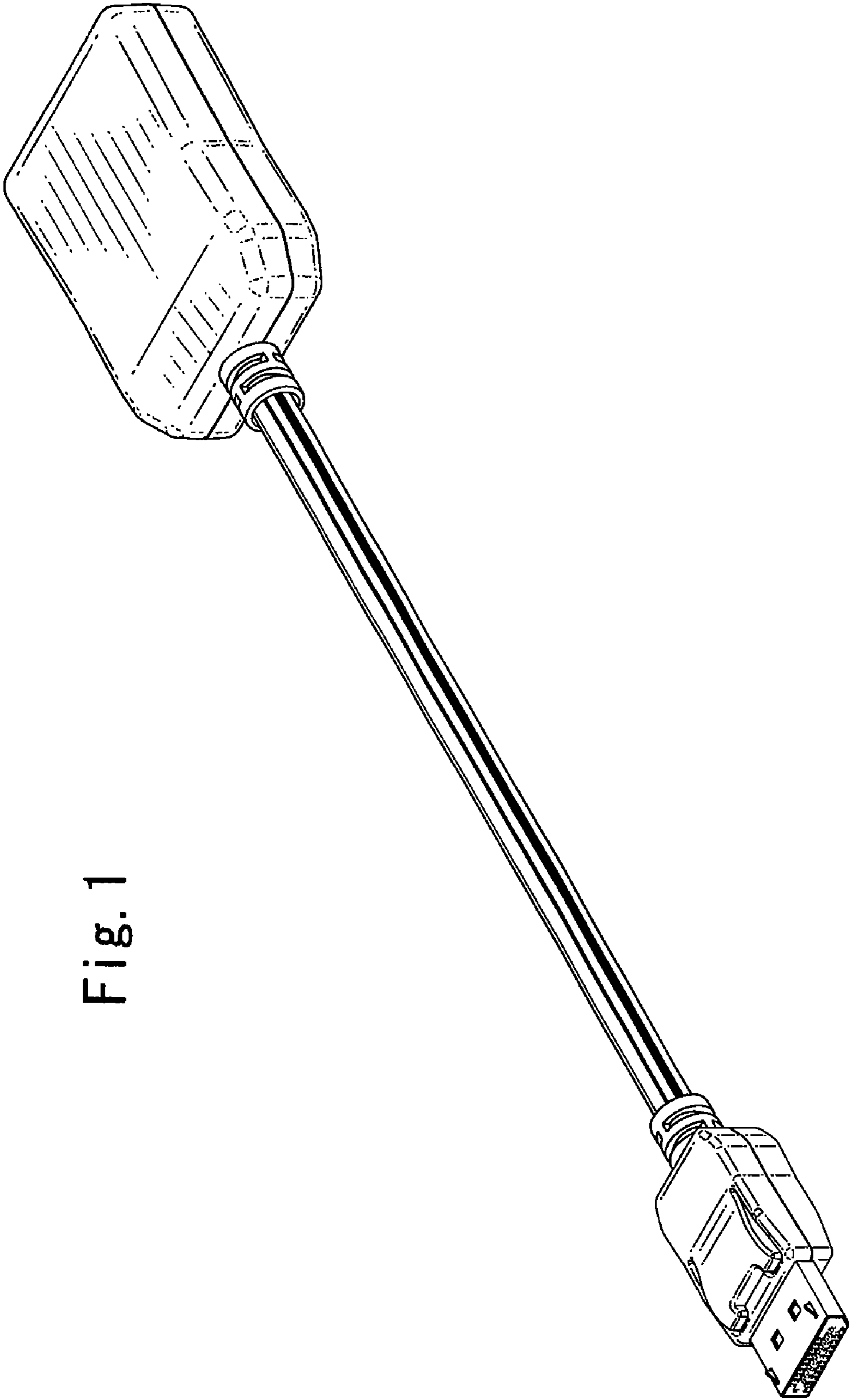


Fig. 1

Fig. 2

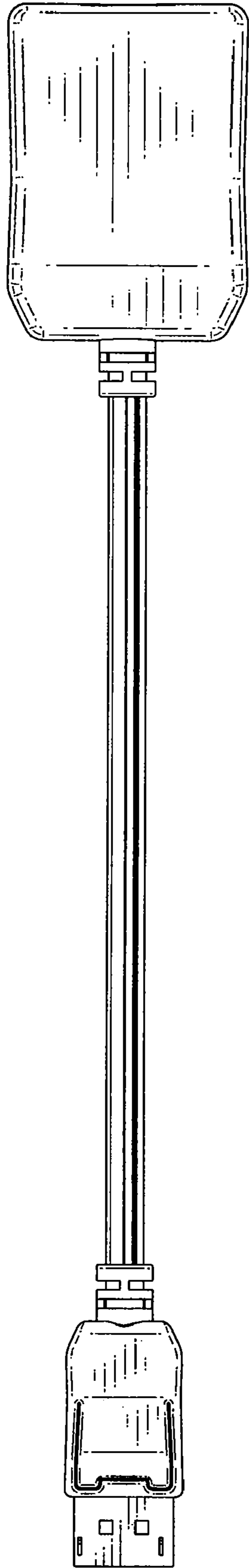
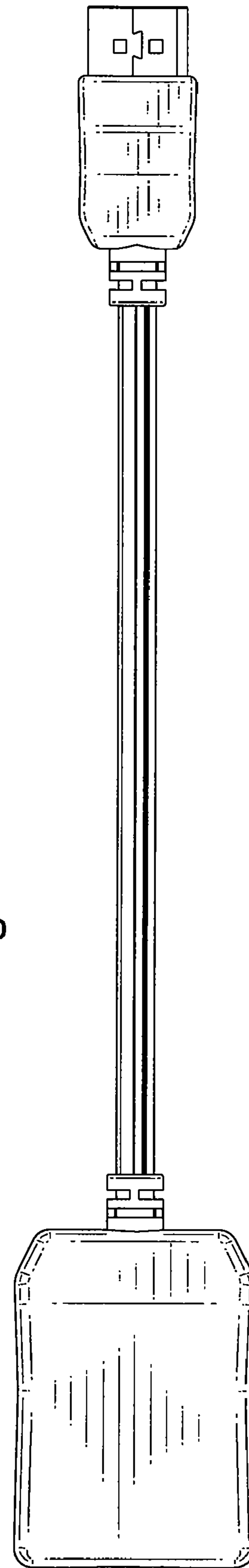


Fig. 3



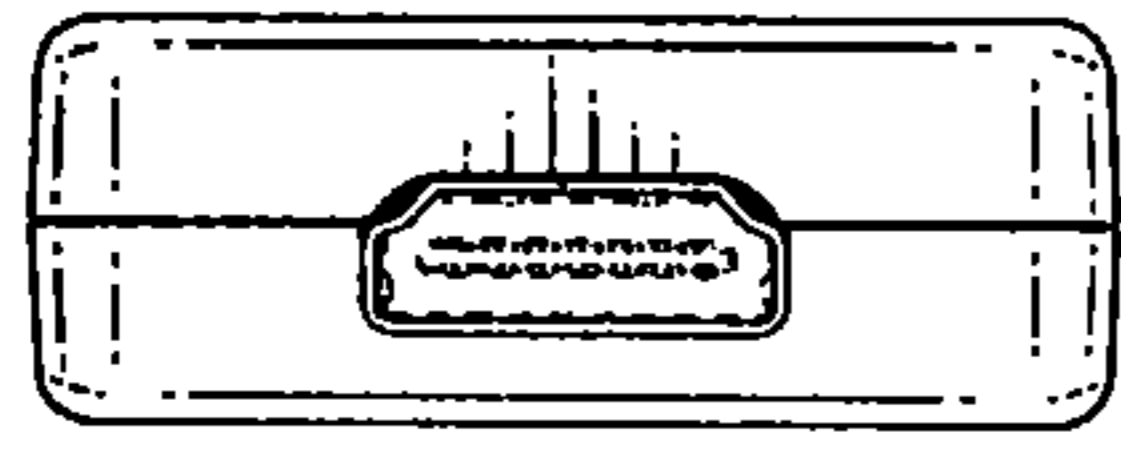


Fig. 5

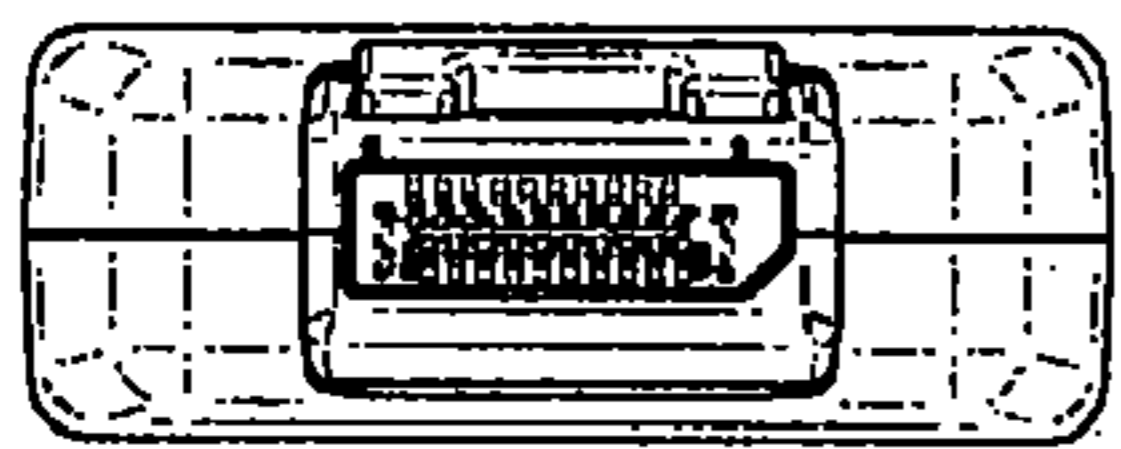


Fig. 4

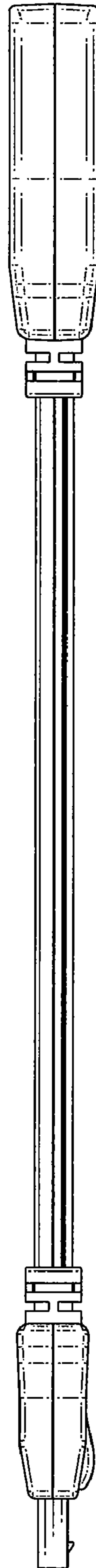


Fig. 6



Fig. 7