



US00D628532S

(12) **United States Design Patent**
Niu et al.

(10) **Patent No.:** **US D628,532 S**

(45) **Date of Patent:** **** Dec. 7, 2010**

(54) **SUN VISOR EXTENSION DEVICE**

(76) Inventors: **Xiaoli Niu**, 7898 Greenvalley Ln, Frisco, TX (US) 75034; **Jilin Wang**, 7898 Greenvalley Ln, Frisco, TX (US) 75034

(**) Term: **14 Years**

(21) Appl. No.: **29/370,047**

(22) Filed: **May 28, 2010**

(51) **LOC (9) Cl.** **12-16**

(52) **U.S. Cl.** **D12/417**

(58) **Field of Classification Search** D12/415-419, D12/420; 224/404; 296/36; 22/539
See application file for complete search history.

(56) **References Cited**

U.S. PATENT DOCUMENTS

D312,355 S *	11/1990	Korten	D12/417
D353,568 S *	12/1994	Tong	D12/191
D441,341 S *	5/2001	Hassett et al.	D12/416
6,386,408 B1 *	5/2002	Beatty	224/312
D512,367 S *	12/2005	Eskandry	D12/417
D516,498 S *	3/2006	Eskandry	D12/417
D538,220 S *	3/2007	Eskandry	D12/416

D548,972 S *	8/2007	Wald	D3/299
D567,741 S *	4/2008	Chalek et al.	D12/417
D574,433 S *	8/2008	Poma	D19/83
D582,696 S *	12/2008	Kim	D6/457
D609,626 S *	2/2010	Murphy	D12/417

* cited by examiner

Primary Examiner—Caron Veynar

Assistant Examiner—Katrina A Kile

(57) **CLAIM**

The ornamental design for a Sun visor extension device, as shown and described.

DESCRIPTION

FIG. 1 is a front, top and end perspective view of the “Sun visor extension device” showing our new design;

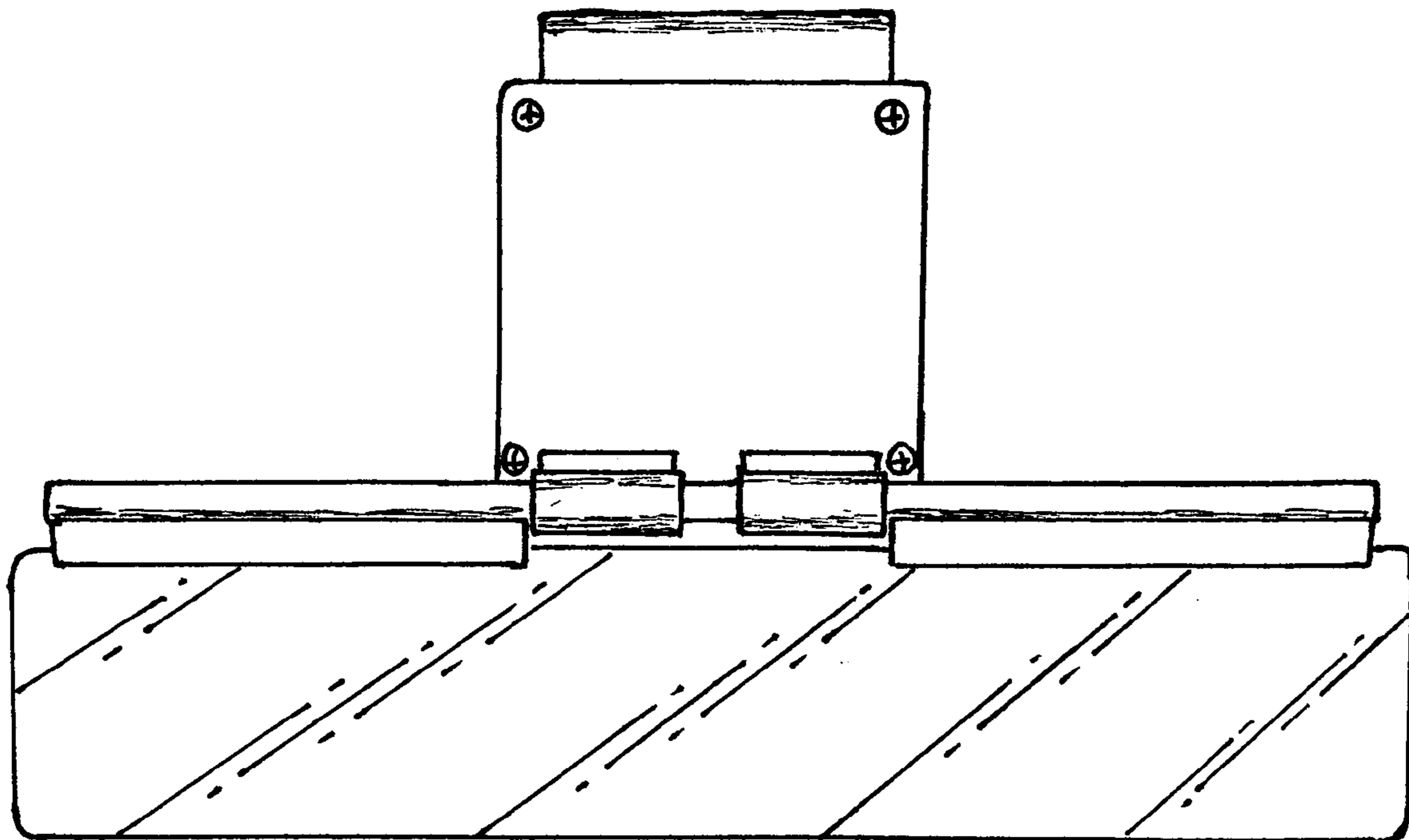
FIG. 2 is a rear, top and end perspective view of the “Sun visor extension device” thereof;

FIG. 3 is a front elevational view thereof;

FIG. 4 is a rear elevational view thereof; and,

FIG. 5 is an end elevational view thereof, the end opposite being a mirror image of the end shown in FIG. 5.

1 Claim, 5 Drawing Sheets



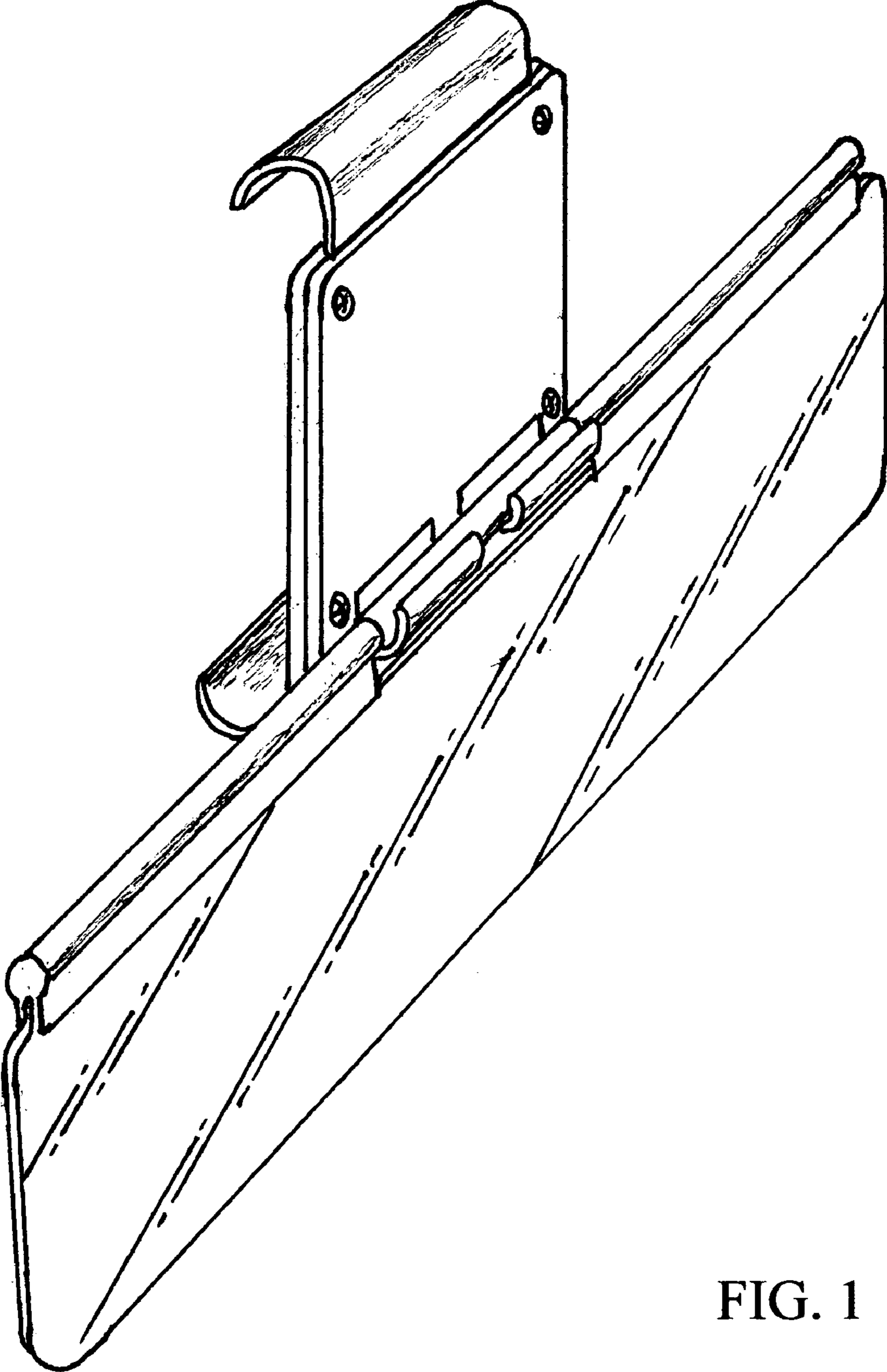


FIG. 1

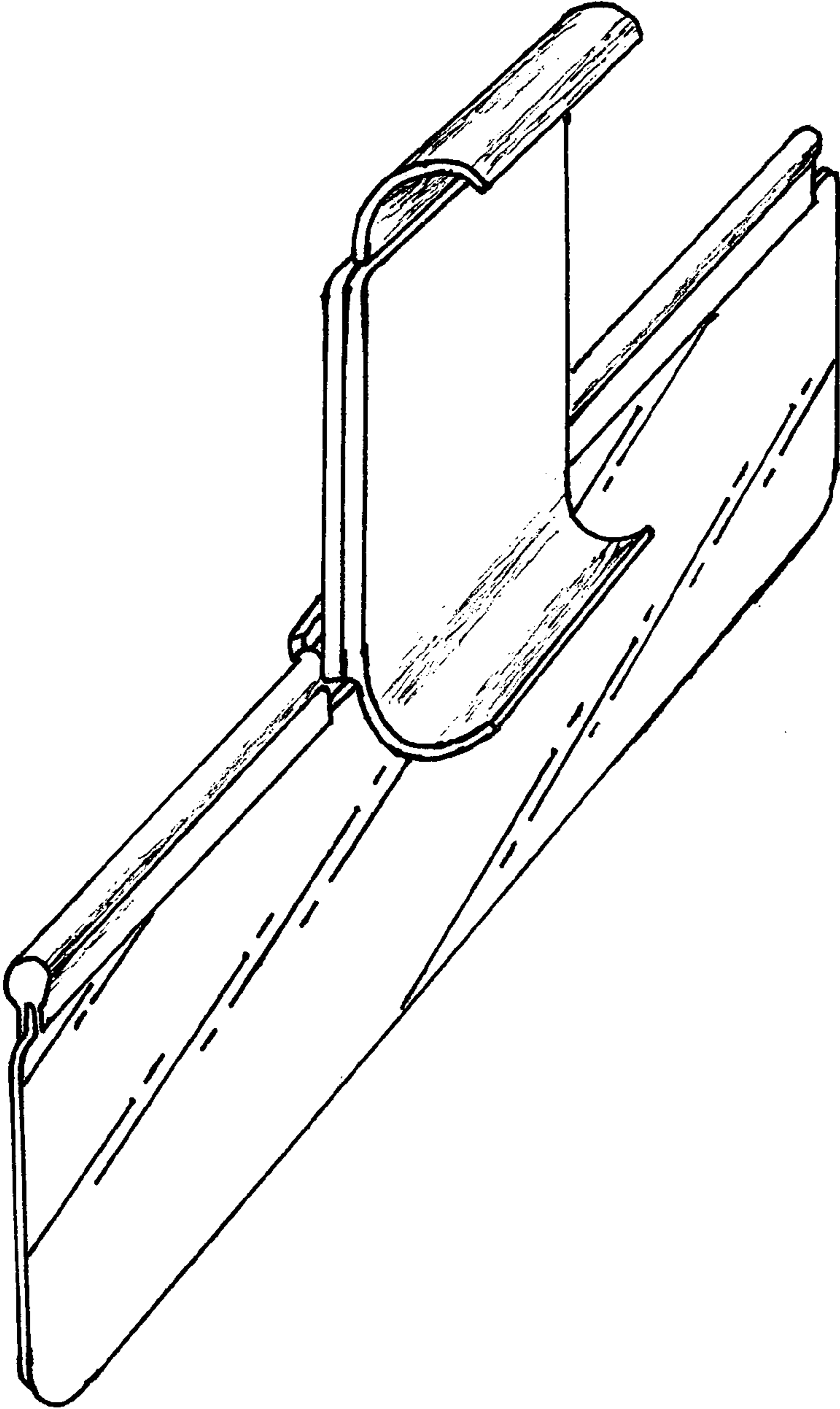


FIG. 2

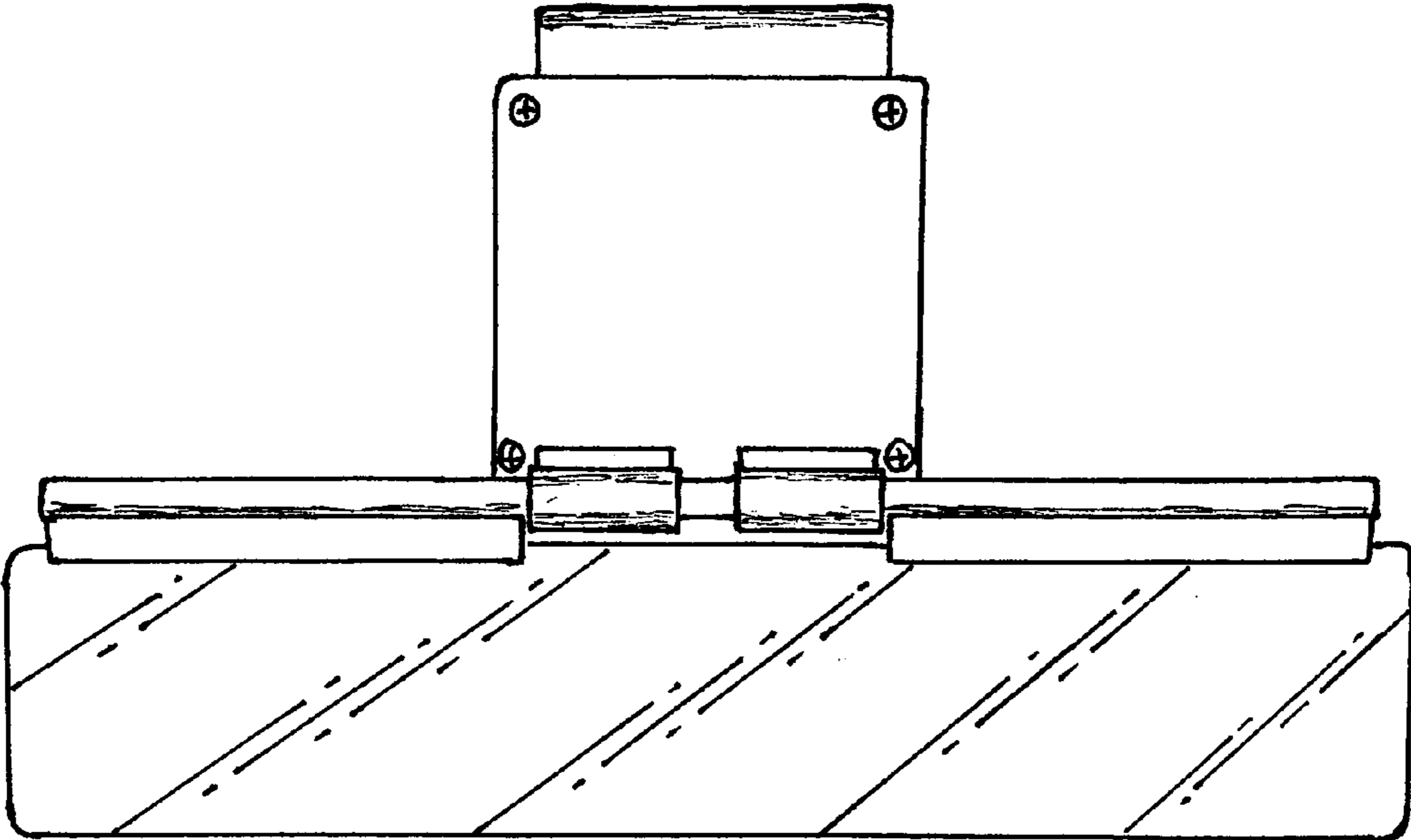


FIG. 3

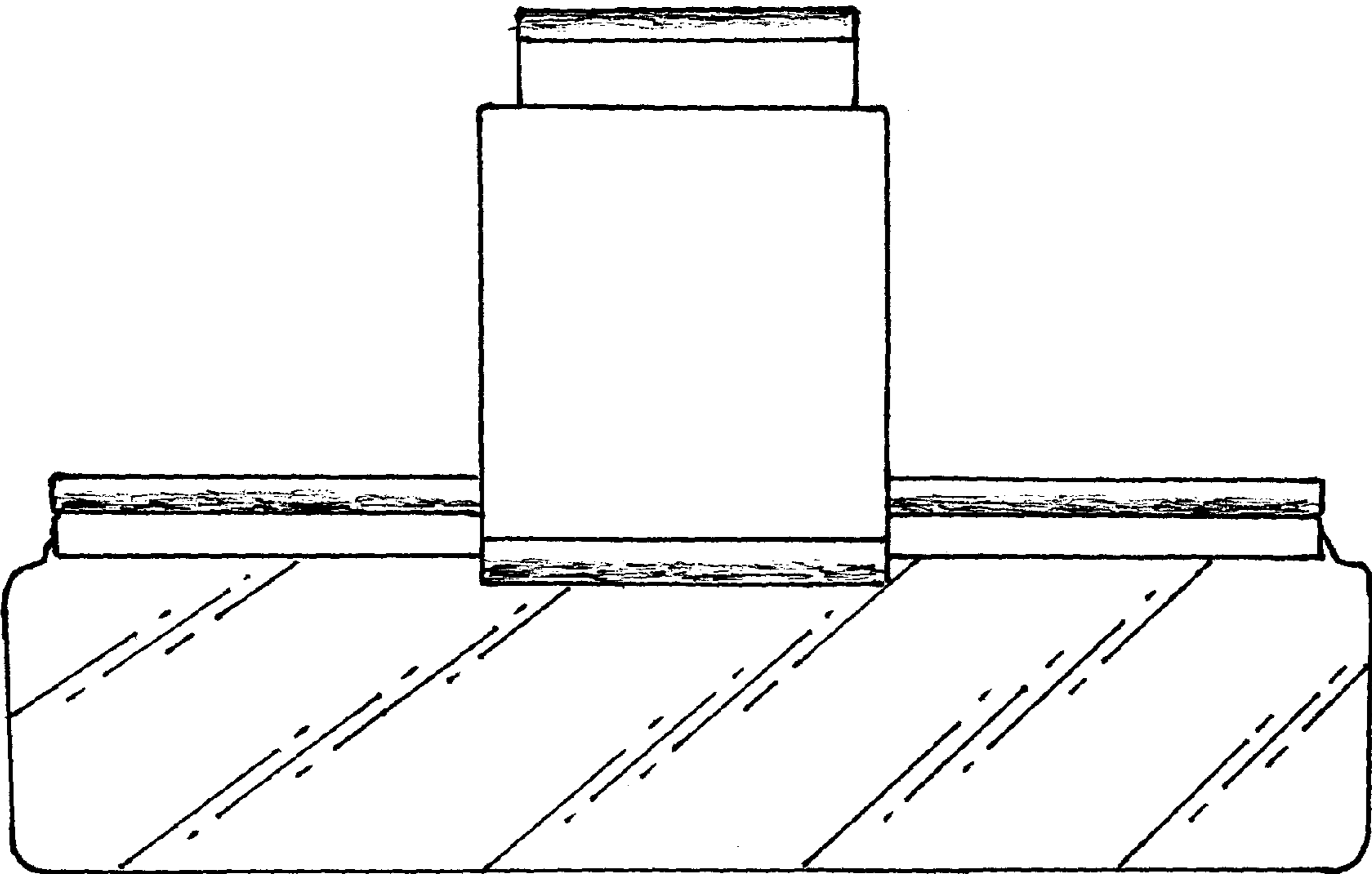


FIG. 4

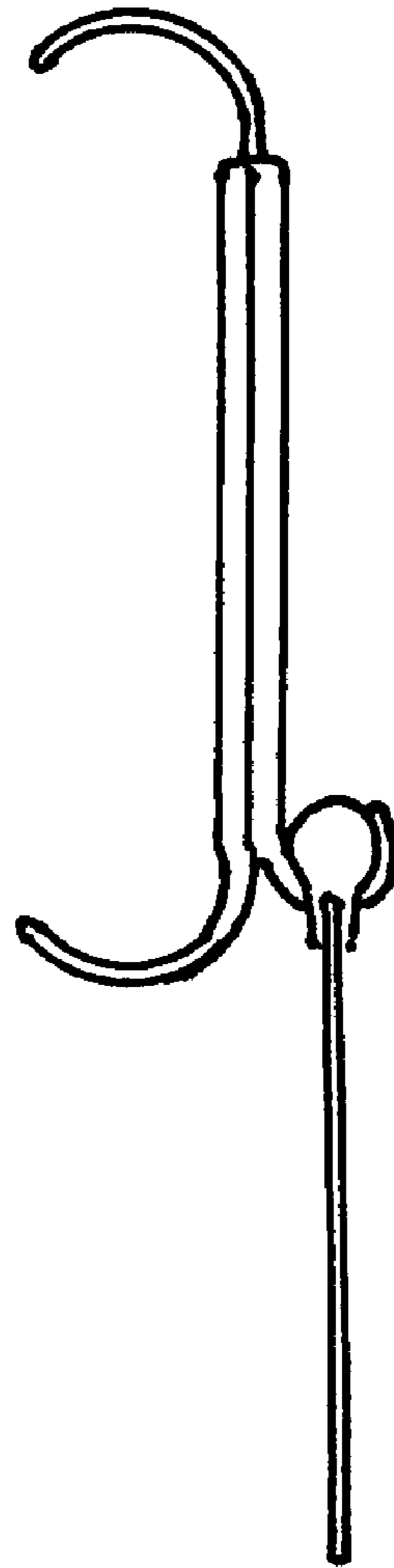


FIG. 5