



US00D628530S

(12) **United States Design Patent**
Gall et al.

(10) **Patent No.:** **US D628,530 S**

(45) **Date of Patent:** **** *Dec. 7, 2010**

(54) **AIRCRAFT TAIL**

(75) Inventors: **Pierre-Emmanuel Gall**, Toulouse (FR);
Julien Ricouard, Toulouse (FR)

(73) Assignee: **Airbus Operations S.A.S.**, Toulouse
Cedex (FR)

(**) Term: **14 Years**

(21) Appl. No.: **29/354,311**

(22) Filed: **Jan. 22, 2010**

(51) **LOC (9) Cl.** **12-07**

(52) **U.S. Cl.** **D12/345**

(58) **Field of Classification Search** D12/319–345;
D21/447, 448; 244/4 R, 7 B, 12.1, 13, 15,
244/21, 117 R, 119, 130

See application file for complete search history.

(56) **References Cited**

U.S. PATENT DOCUMENTS

D150,692 S	8/1948	Glasgow et al.
D177,427 S	4/1956	Papadakoa
D217,888 S	6/1970	Biemond
D230,961 S	3/1974	Ryan et al.
D231,606 S	5/1974	Blattner et al.
D232,713 S	9/1974	Cook et al.
D244,843 S	6/1977	Paulson
D248,745 S	8/1978	Jager
D274,510 S	7/1984	McComas et al.
D292,203 S	10/1987	Ligeti
D300,212 S	3/1989	Farcus
4,976,396 A	12/1990	Carlson et al.
D348,245 S	6/1994	Blum
D349,271 S	8/1994	Inoue et al.
D350,722 S	9/1994	Figueroa

(Continued)

OTHER PUBLICATIONS

U.S. Des. Appl. No. 29/354,314; filed on Jan. 22, 2010; Title: Aircraft Wings.

(Continued)

Primary Examiner—Cathron C. Brooks

Assistant Examiner—Maurice Stevens

(74) *Attorney, Agent, or Firm*—Osler, Hoskin & Harcourt LLP

(57) **CLAIM**

The ornamental design for an aircraft tail, as shown and described.

DESCRIPTION

FIG. 1 is a perspective view taken from a top, front, left side of an aircraft tail according to our design shown on an aircraft shown in dotted lines with engine nacelles and pylons of the aircraft removed for clarity;

FIG. 2 is a top plan view thereof;

FIG. 3 is a bottom plan view of the aircraft tail of FIG. 1 shown on the aircraft with engine nacelles and pylons of the aircraft shown in dotted lines;

FIG. 4 is an enlarged front elevation view of the aircraft tail as seen from line 4—4 in FIG. 2;

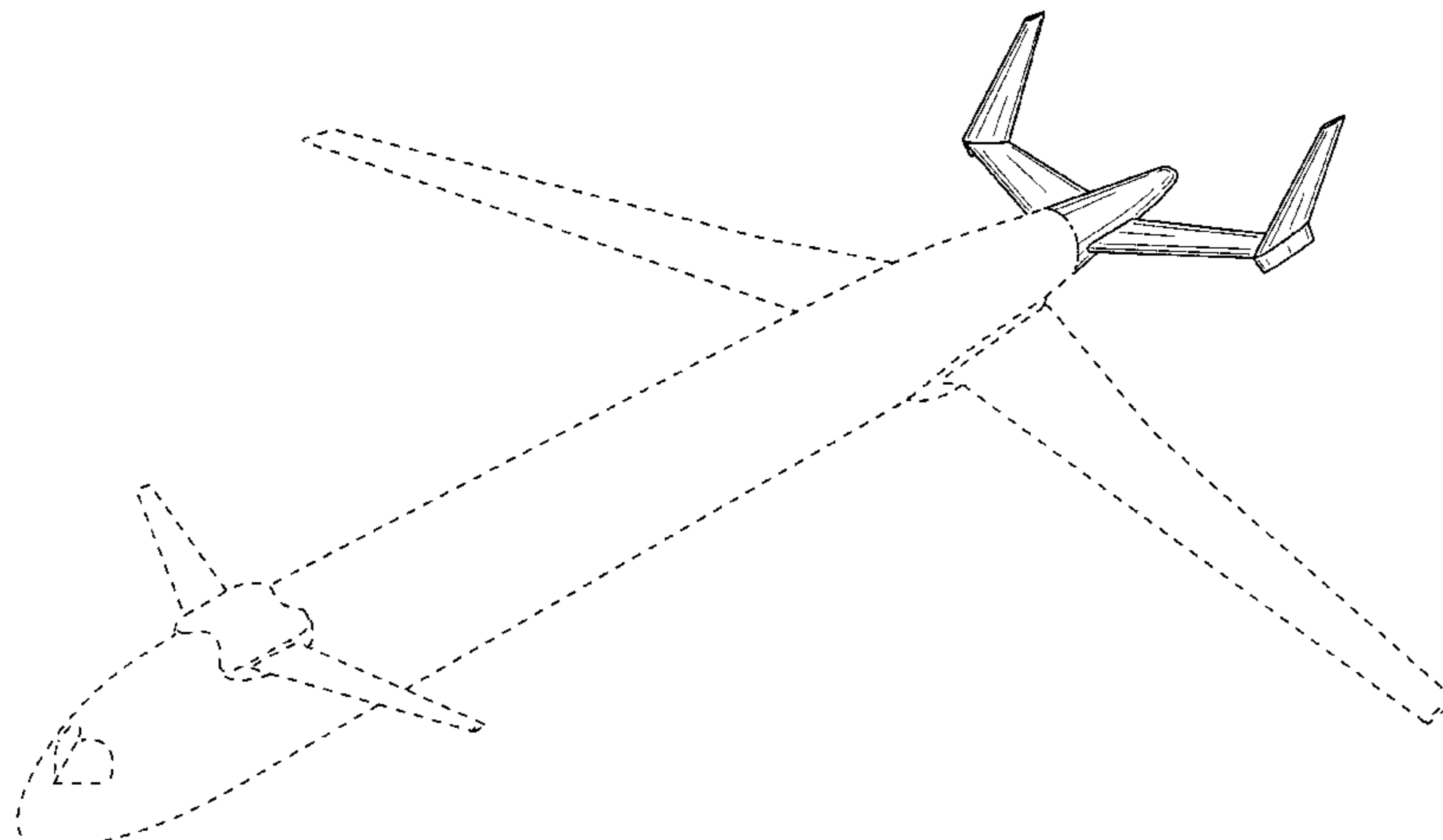
FIG. 5 is a rear elevation view of the aircraft tail of FIG. 1 shown on an aircraft with engine nacelles and pylons of the aircraft shown in dotted lines;

FIG. 6 is a left side elevation view thereof; and,

FIG. 7 is a right side elevation view thereof.

Throughout the Figures, where shown: (i) the dotted lines showing environment are for illustrative purposes only and form no part of the claimed design; (ii) the unshaded surfaces do not form part of the claimed design; and (iii) the dash-dot lines illustrate unclaimed boundaries of surfaces claimed as part of the design.

1 Claim, 7 Drawing Sheets



U.S. PATENT DOCUMENTS

D351,131 S 10/1994 Inoue et al.
 D352,493 S 11/1994 Krojer
 D354,474 S 1/1995 Murphy et al.
 D354,936 S 1/1995 Kraft et al.
 D355,058 S 1/1995 Phelan
 5,381,985 A 1/1995 Wechsler et al.
 D359,472 S 6/1995 Day
 D370,456 S 6/1996 Buchsel et al.
 5,526,999 A 6/1996 Meston
 5,699,662 A 12/1997 Born et al.
 D397,989 S 9/1998 Al-Sabah
 D426,804 S 6/2000 Birrenbach
 D432,743 S 10/2000 Santiago
 D435,707 S 12/2000 Leung
 D437,284 S * 2/2001 Knutson et al. D12/319
 6,244,537 B1 6/2001 Rutherford
 D456,337 S 4/2002 Sankrithi et al.
 6,474,604 B1 11/2002 Carlow
 D467,533 S * 12/2002 Han D12/319
 D479,501 S * 9/2003 Nelson D12/319
 D495,988 S 9/2004 Beaunis et al.
 D500,281 S 12/2004 Aruga et al.
 D500,282 S 12/2004 Aruga et al.
 D515,012 S 2/2006 Eatkins et al.
 D516,007 S 2/2006 Vigneron et al.
 D516,995 S 3/2006 Eatkins et al.
 D517,467 S 3/2006 Vigneron et al.
 D524,230 S 7/2006 Stille et al.
 D524,718 S 7/2006 Scott et al.
 D526,269 S 8/2006 Eadie
 D530,658 S * 10/2006 Vigneron et al. D12/319
 D530,659 S 10/2006 Guering
 D533,322 S 12/2006 Blateri
 D537,029 S 2/2007 Eakins et al.
 D541,207 S 4/2007 Seidel
 D566,031 S 4/2008 Beaunis et al.
 D569,783 S 5/2008 Beaunis et al.
 D581,342 S 11/2008 Cazals
 D581,343 S 11/2008 Cazals
 D594,808 S 6/2009 Cazals
 D594,809 S 6/2009 Cazals
 D594,810 S 6/2009 Cazals
 D594,811 S 6/2009 Cazals
 D595,206 S 6/2009 Cazals
 D595,207 S 6/2009 Cazals
 D595,208 S 6/2009 Cazals
 D595,209 S 6/2009 Cazals
 D595,210 S * 6/2009 Cazals D12/345
 D595,211 S * 6/2009 Cazals D12/345
 D595,212 S 6/2009 Cazals

D595,213 S 6/2009 Cazals
 D595,214 S 6/2009 Cazals
 D595,634 S * 7/2009 Cazals D12/345
 D607,806 S 1/2010 Saint-Jalmes et al.
 D608,720 S * 1/2010 Saint-Jalmes et al. D12/319
 D616,354 S 5/2010 Saint-Jalmes et al.

OTHER PUBLICATIONS

U.S. Des. Appl. No. 29/354,310; filed on Jan. 22, 2010; Title: Aircraft Wings.
 U.S. Des. Appl. No. 29/343,961; tiled on Sep. 22, 2009; Title: Aircraft Wings.
 U.S. Des. Appl. No. 29/343,965; tiled on Sep. 22, 2009; Title: Aircraft Tail.
 U.S. Des. Appl. No. 29/332,855; filed on Feb. 26, 2009; Title: Aircraft Tail.
 U.S. Des. Appl. No. 29/332,857; filed on Feb. 26, 2009; Title: Aircraft Tail.
 U.S. Des. Appl. No. 29/332,858; filed on Feb. 26, 2009; Title: Aircraft Tail.
 U.S. Des. Appl. No. 29/332,856; filed on Feb. 26, 2009; Title: Aircraft Tail.
 U.S. Des. Appl. No. 29/278,228; filed on Mar. 22, 2007; Title: Aircraft Seating Arrangement.
 U.S. Des. Appl. No. 29/351,301; filed on Dec. 3, 2009; Title Elements of an Aircraft
 Boeing, General Exterior Arrangement 737; [online], 1995-2001, [retrieved on May 17, 2010]. Retrieved from the internet: <URL: http://www.boeing.com/commercial/737family/pf/pf_exterior.html>.
 Embraer E-Jet 190 picture; [online], [retrieve on May 17, 2010]. Retrieved from the internet: <URL: http://www.embraercommercialjets.com/#/en/products_detail/3>.
 ATR 72-500 Picture, [online], [retrieved on Jun. 23, 2010]. Retrieved from the internet: <URL: http://upload.wikimedia.org/wikipedia/commons/1/13/Contact_Air_ATR_72-500_D-ANFL_Stuttgart.jpg>.
 ATR 42-500 Picture, [online], [retrieved on Jun. 23, 2010]. Retrieved from the internet: <URL: <http://cdn-www.airliners.net/aviation-photos/photos/6/7/1/1646176.jpg>>.
 ATR 72-600 Picture, [online], [retrieved on Jun. 23, 2010]. Retrieved from the internet: <URL: <http://wair.fr/wp-content/uploads/2009/10/img9417.jpg>>.
 Q400 Picture, [online], [retrieved on Jun. 23, 2010]. Retrieved from the internet: <URL: http://the-blueprints.com/blueprints-depot-restricted/modernplanes/modern-bm-bz/bombardier_dash_q400-32766.jpg>.
 Q400 Picture, [online], [retrieved on Jun. 23, 2010]. Retrieved from the internet: <URL: <http://www.seabee.info/images/dhc6/DHC-8-Q400-01-640.jpg>>.

* cited by examiner

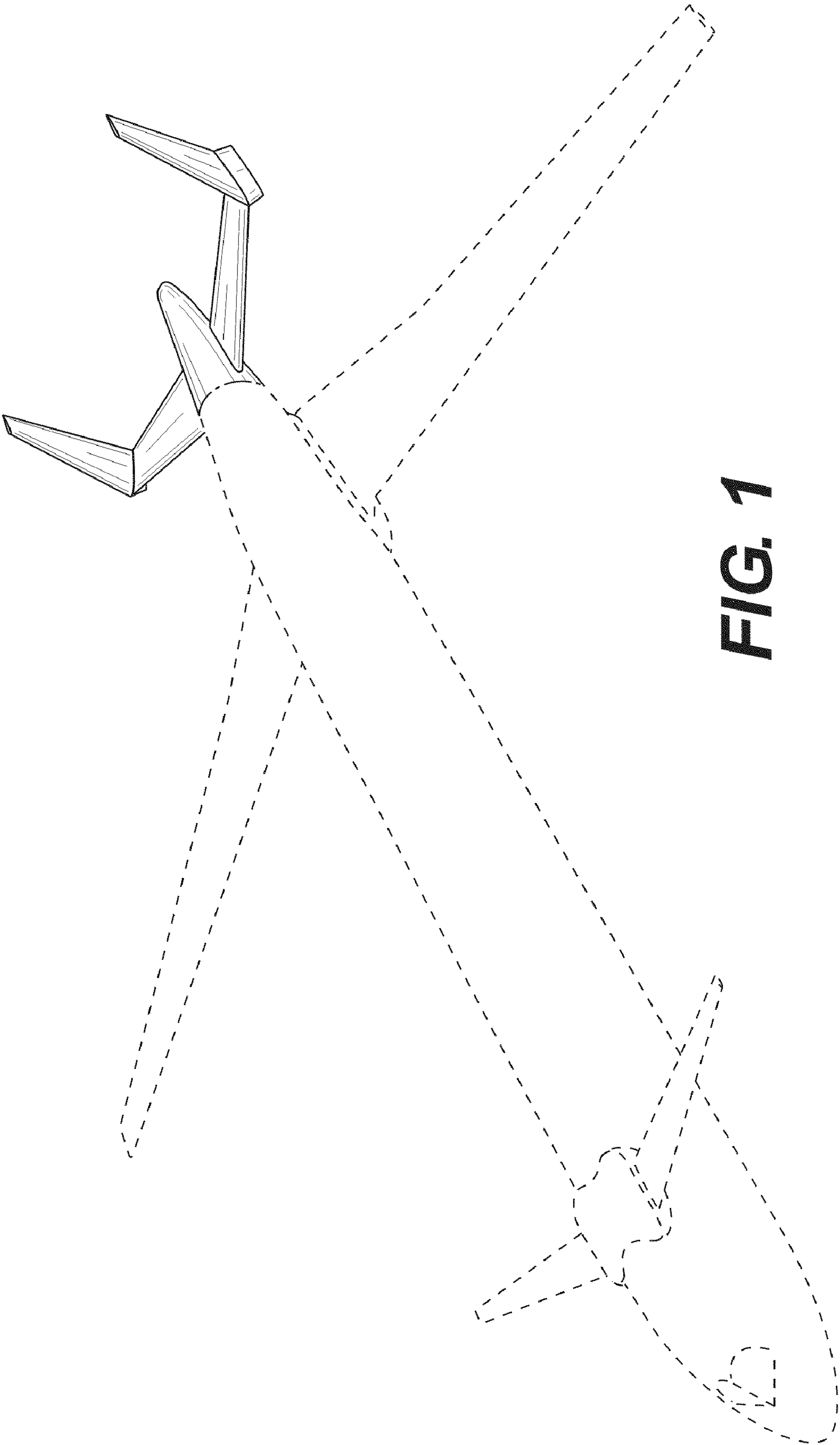


FIG. 1

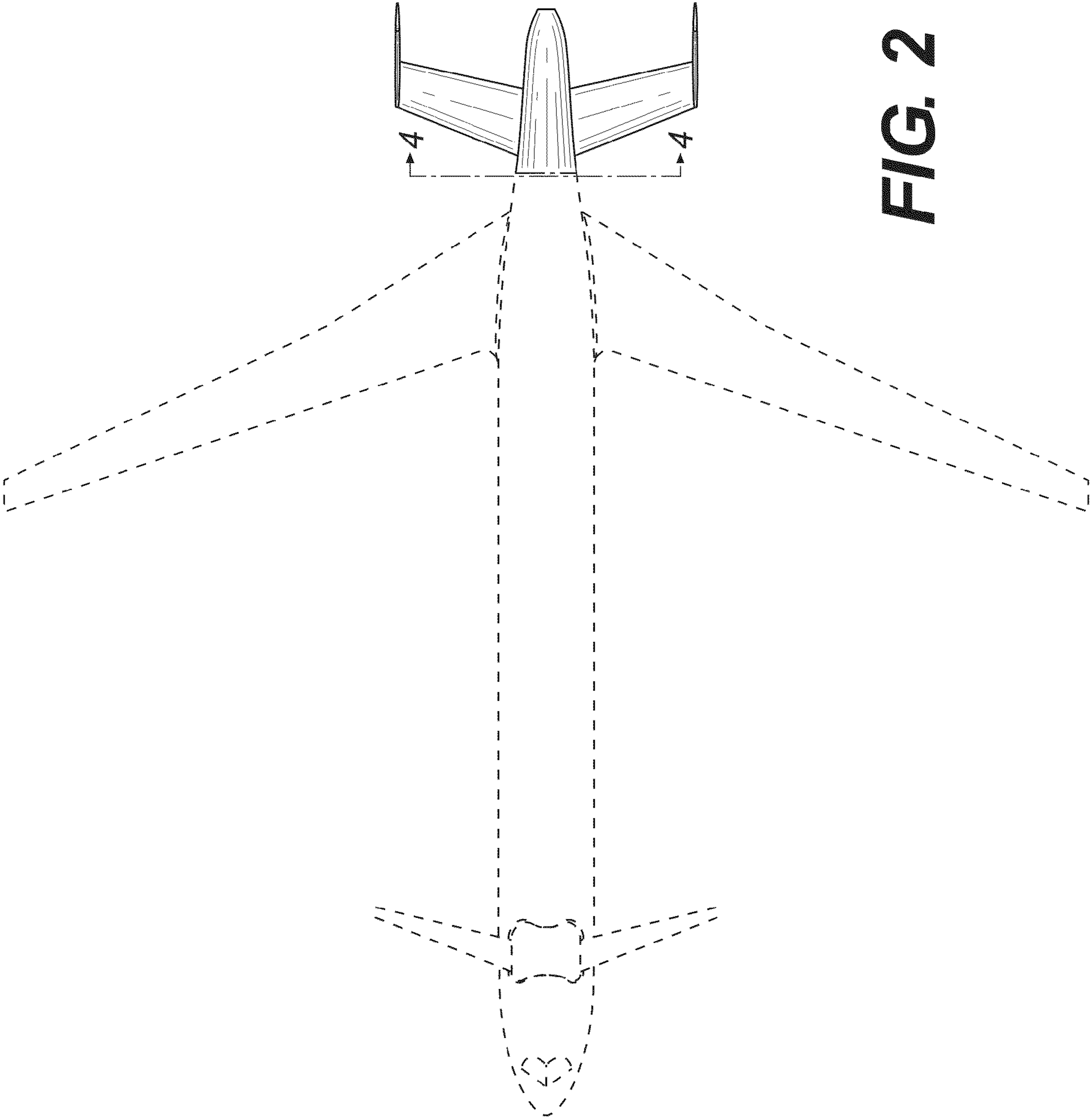


FIG. 2

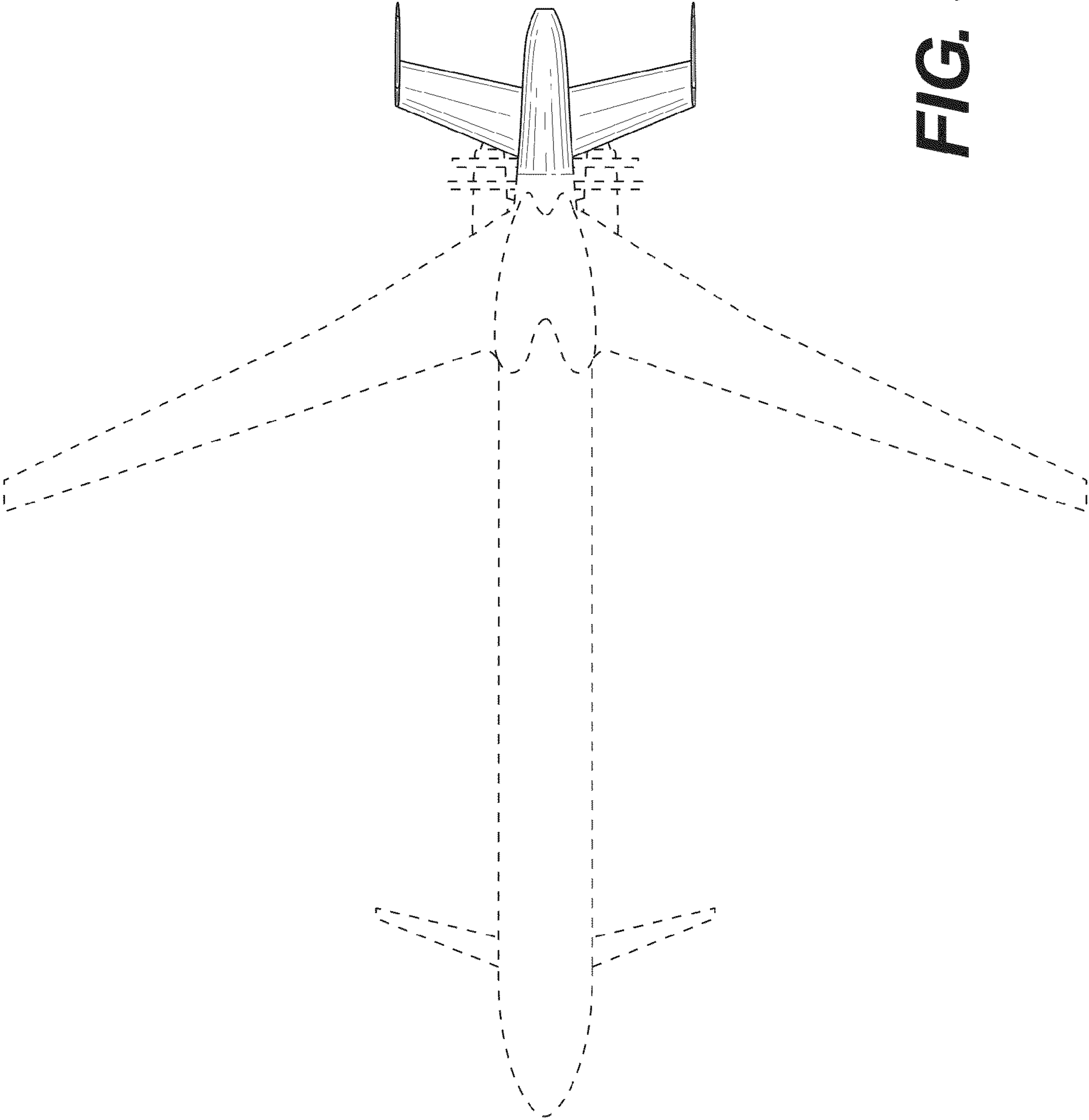


FIG. 3

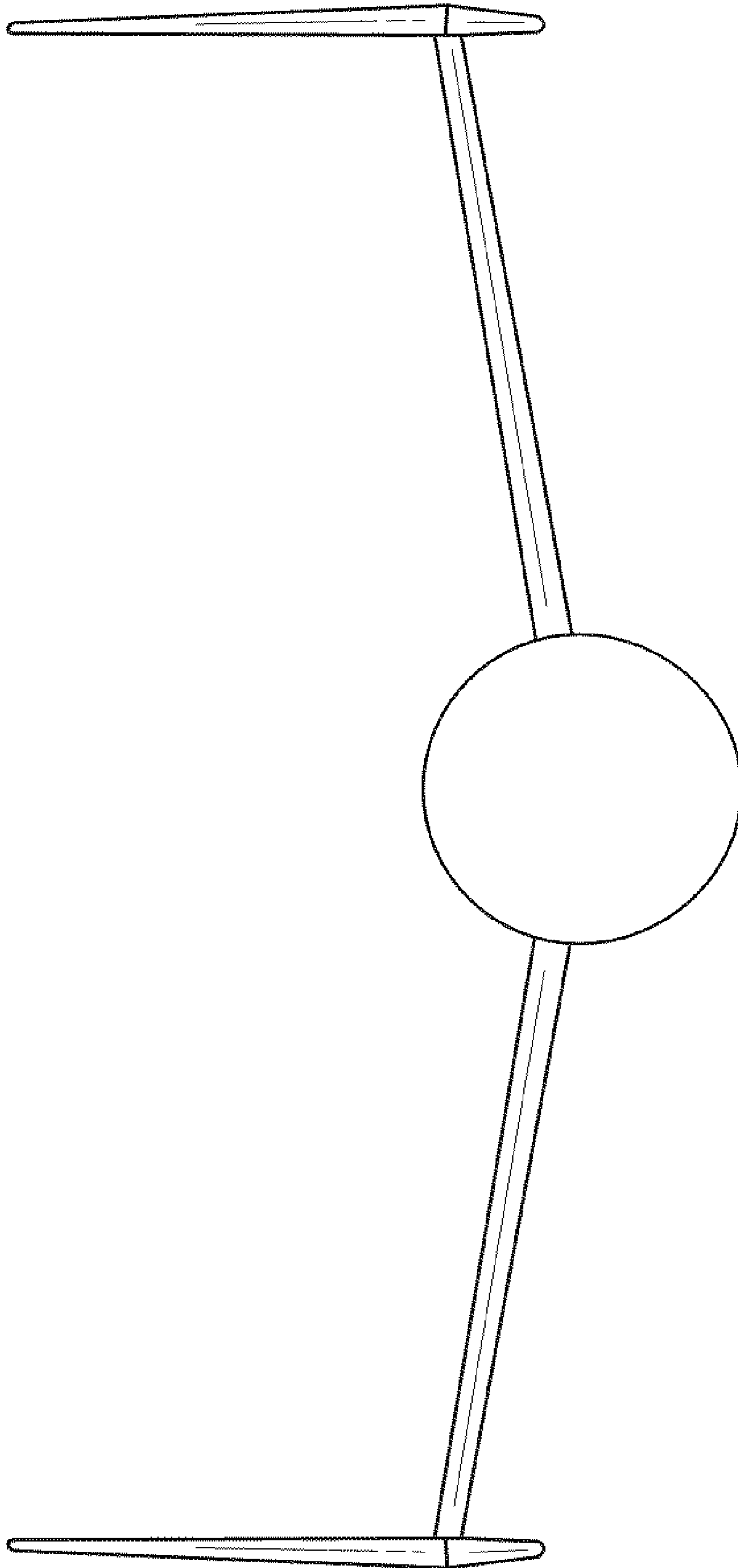


FIG. 4

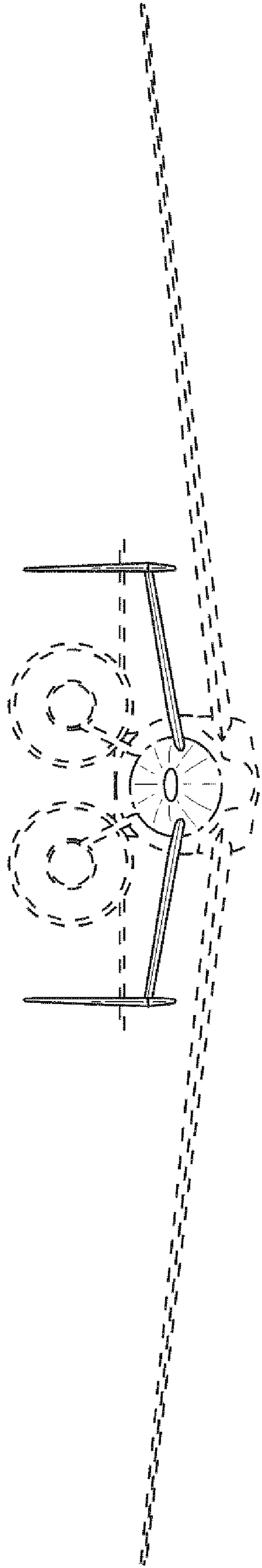


FIG. 5

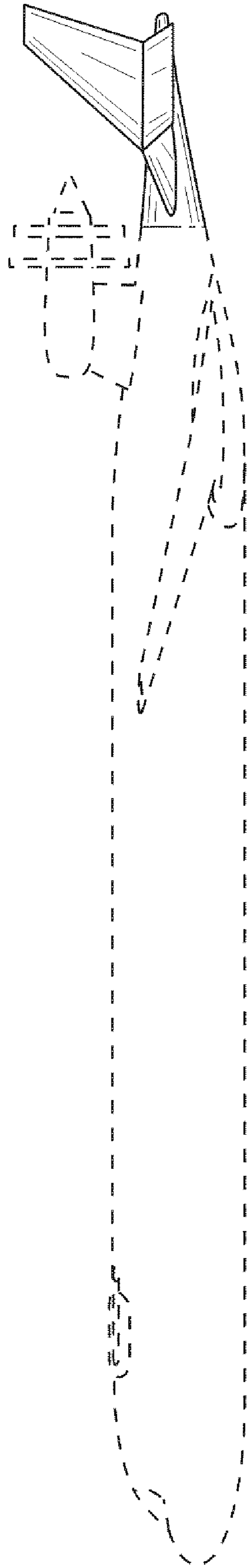


FIG. 6

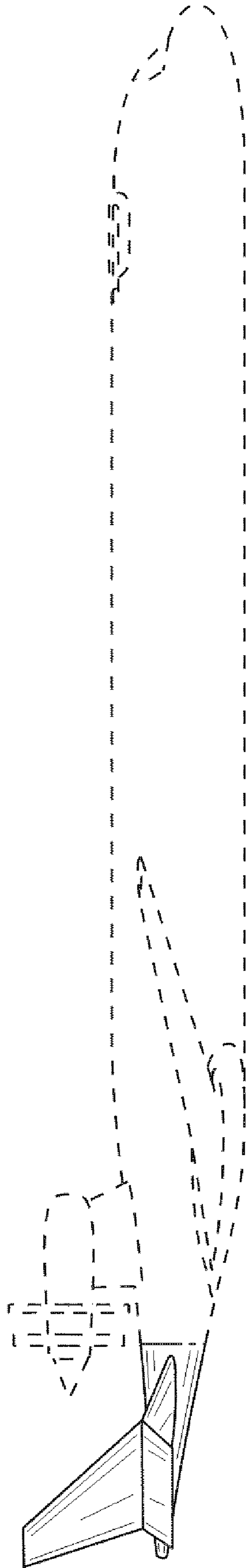


FIG. 7