



US00D628527S

(12) **United States Design Patent**  
**Faghihzadeh**

(10) **Patent No.:** **US D628,527 S**

(45) **Date of Patent:** **\*\* Dec. 7, 2010**

(54) **WHEEL OR WHEEL COVER**

(75) Inventor: **Nader Faghihzadeh**, Munich (DE)

(73) Assignee: **Bayerische Motoren Werke Aktiengesellschaft**, Munich (DE)

(\*\*) Term: **14 Years**

(21) Appl. No.: **29/361,067**

(22) Filed: **May 5, 2010**

(30) **Foreign Application Priority Data**

Nov. 6, 2009 (DE) ..... 402009005430

(51) **LOC (9) Cl.** ..... **12-16**

(52) **U.S. Cl.** ..... **D12/211**

(58) **Field of Classification Search** ..... D12/204-213;  
301/37.101, 64.101, 65, 64.201

See application file for complete search history.

(56) **References Cited**

**U.S. PATENT DOCUMENTS**

D437,821 S	2/2001	Frohlich	
D449,028 S	10/2001	Weidhase	
D452,839 S	1/2002	Muth et al.	
D476,938 S *	7/2003	Hatori	D12/209
D504,098 S *	4/2005	Gallert	D12/209
D509,782 S	9/2005	Pollmann	
D520,431 S	5/2006	Truebsbach	
D526,262 S *	8/2006	Guevara	D12/209
D538,216 S	3/2007	Sycha	
D553,550 S *	10/2007	Tirado	D12/211
D582,331 S	12/2008	Blasi	
D583,740 S	12/2008	Frizzi	
D585,354 S	1/2009	Powell et al.	
D587,178 S *	2/2009	Pfeiffer	D12/209
D587,180 S *	2/2009	Pfeiffer	D12/209
D590,321 S *	4/2009	Rak	D12/211
D595,203 S *	6/2009	Rak	D12/211

D601,074 S *	9/2009	Buschmann	D12/209
D608,714 S *	1/2010	Bucher et al.	D12/209
D613,656 S *	4/2010	Antoniadis et al.	D12/209
D614,107 S *	4/2010	Juergens et al.	D12/209
D617,712 S	6/2010	Juergens et al.	
D619,070 S	7/2010	Pollmann	

**FOREIGN PATENT DOCUMENTS**

DE	49904345.6	11/1999
DE	49906969.2	12/1999
DE	49909281.3	2/2000
DE	40010998.0	3/2001
EM	000090410-0003	3/2004
EM	000213335-0002	11/2004
EM	000330774-0003	6/2005
EM	000577945-0002	9/2006
EM	000923388-0001	5/2008
EM	000934468-0003	10/2009
EM	001621541-0004	10/2009
EM	000825609-0004	11/2009
EM	001636978-0003	11/2009

\* cited by examiner

*Primary Examiner*—Stacia Cadmus

(74) *Attorney, Agent, or Firm*—Crowell & Moring LLP

(57) **CLAIM**

The ornamental design for a wheel or wheel cover, as shown and described.

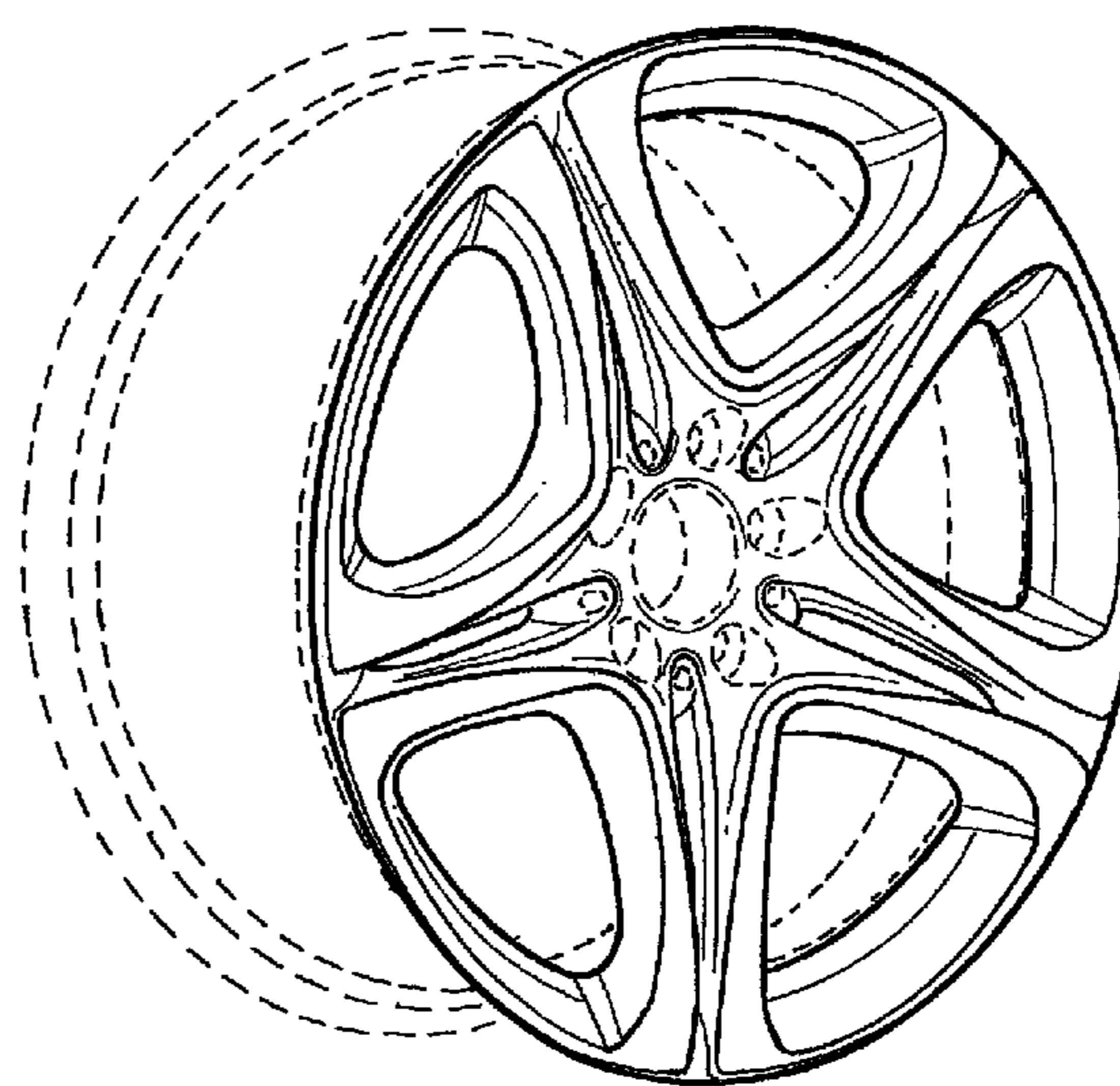
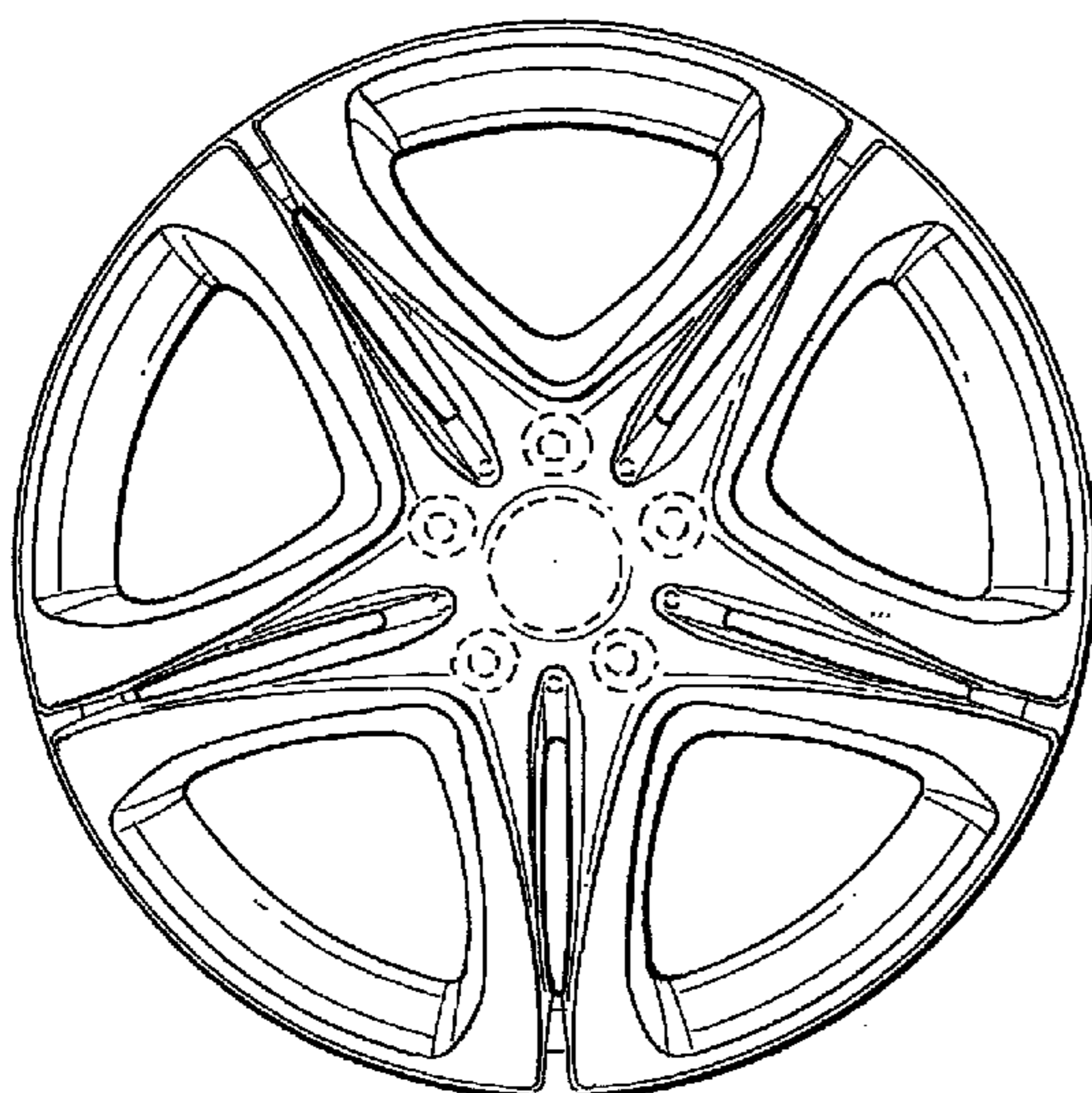
**DESCRIPTION**

FIG. 1 is a front view of a wheel or wheel cover according to my design; and,

FIG. 2 is a perspective view thereof.

The broken line showing of the rear of the rim and the bolt holes and center hole in the central hub area is included for the purpose of illustrating environment and forms no part of the claimed design.

**1 Claim, 1 Drawing Sheet**



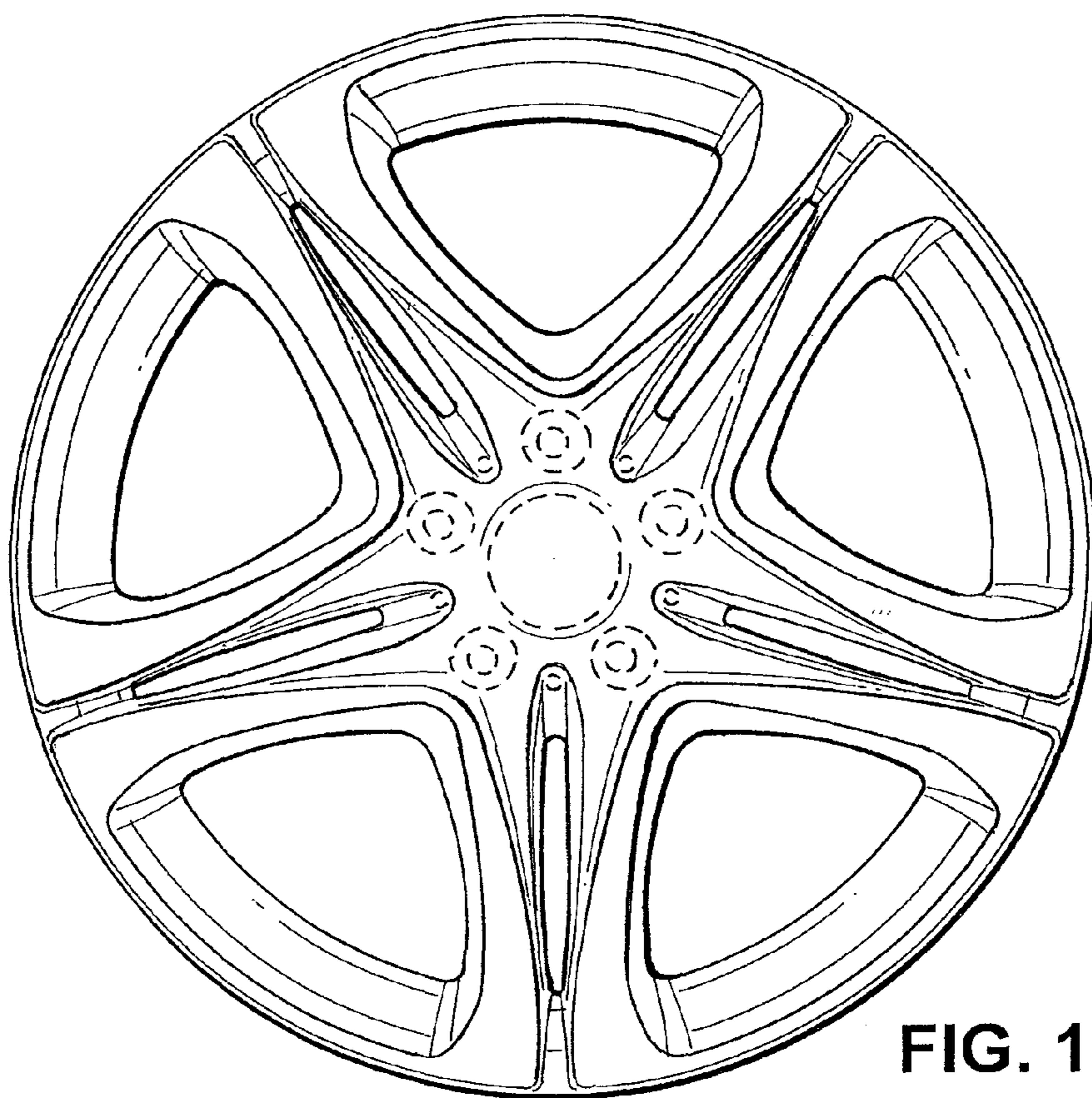


FIG. 1

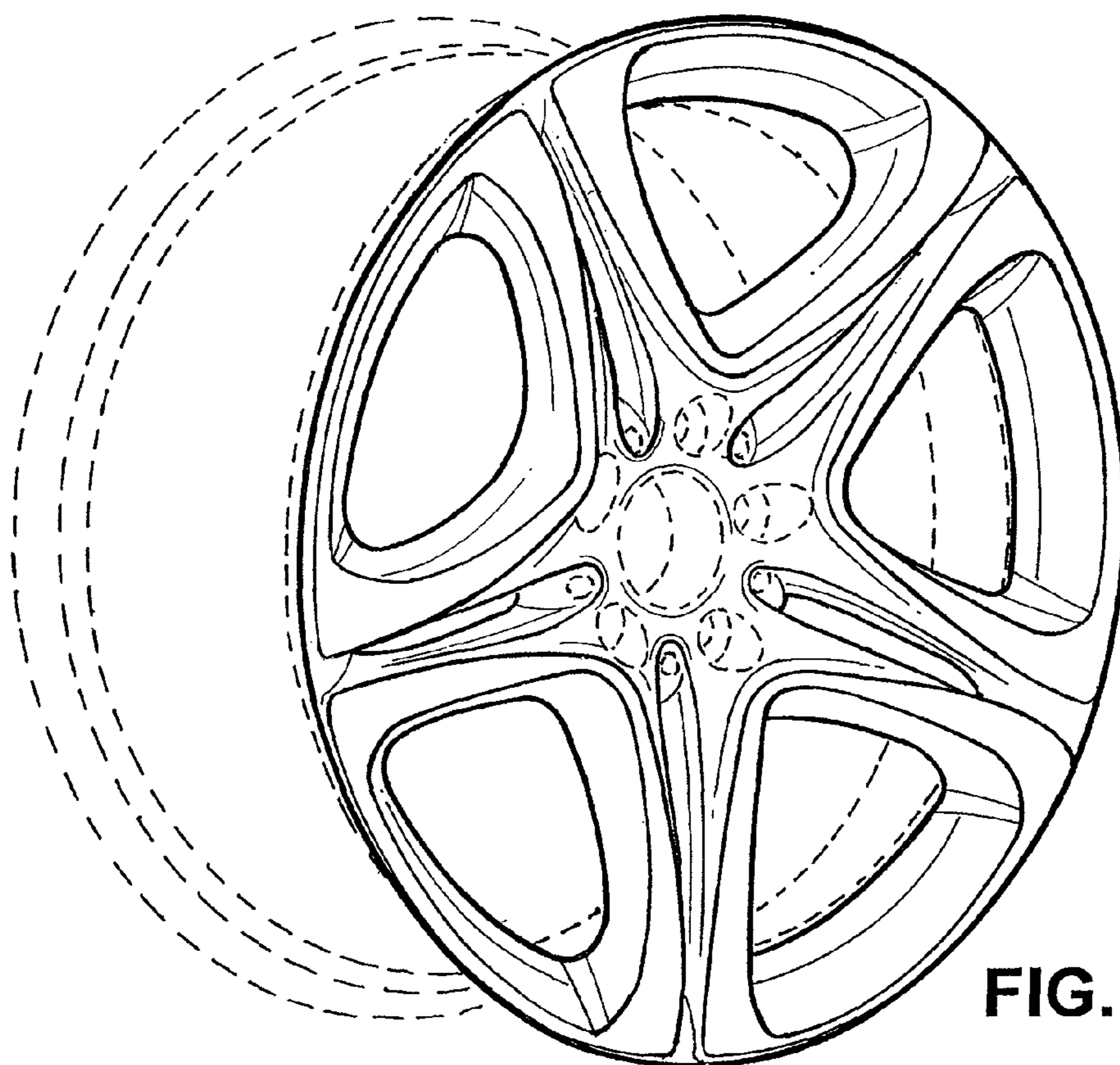


FIG. 2