



US00D628525S

(12) **United States Design Patent**  
**Fisker et al.**

(10) **Patent No.:** **US D628,525 S**  
(45) **Date of Patent:** **\*\* Dec. 7, 2010**

- (54) **AUTOMOTIVE EXTERIOR FENDER VENT**
- (75) Inventors: **Henrik Fisker**, Newport Beach, CA (US); **Mark D. Clarke**, Newport Beach, CA (US); **Nikola Stefanov**, San Clemente, CA (US); **Andrew Leahy**, Laguna Niguel, CA (US)
- (73) Assignee: **Fisker Automotive, Inc.**, Irvine, CA (US)

- D523,788 S 6/2006 Jones et al.
- D531,947 S \* 11/2006 Angelo et al. .... D12/196
- D539,703 S 4/2007 Woodhouse
- D552,021 S \* 10/2007 Teng ..... D12/190
- D553,053 S 10/2007 McChesney
- D555,042 S 11/2007 Davidson
- D560,582 S \* 1/2008 Simons et al. .... D12/196
- D563,277 S 3/2008 Thomas
- D566,645 S \* 4/2008 Niebuhr ..... D12/400

- (\*\*) Term: **14 Years**
- (21) Appl. No.: **29/356,005**
- (22) Filed: **Feb. 18, 2010**

\* cited by examiner

*Primary Examiner*—Caron Veynar  
*Assistant Examiner*—Katrina A Kile  
(74) *Attorney, Agent, or Firm*—Butzel Long

**Related U.S. Application Data**

- (62) Division of application No. 29/330,635, filed on Jan. 12, 2009, now Pat. No. Des. 612,768.

- (51) **LOC (9) Cl.** ..... **12-08**
- (52) **U.S. Cl.** ..... **D12/190**
- (58) **Field of Classification Search** ..... D12/88, D12/190, 400, 196, 191, 181; 280/848, 770, 280/727; 296/91, 51, 180.31–180.5; 180/903  
See application file for complete search history.

(57) **CLAIM**

The ornamental design for an automotive exterior fender vent, as shown and described.

**DESCRIPTION**

FIG. 1 is a left side view of an automotive exterior fender vent in accordance with the present design, wherein the right side view of the fender vent is a mirror image therefor;

FIG. 2 is a front elevation view thereof;

FIG. 3 is a rear end/left side perspective view thereof; and,

FIG. 4 is a front end/left side perspective view thereof.

The second embodiment is a mirror image of the automotive exterior fender vent as shown in FIGS. 1-4.

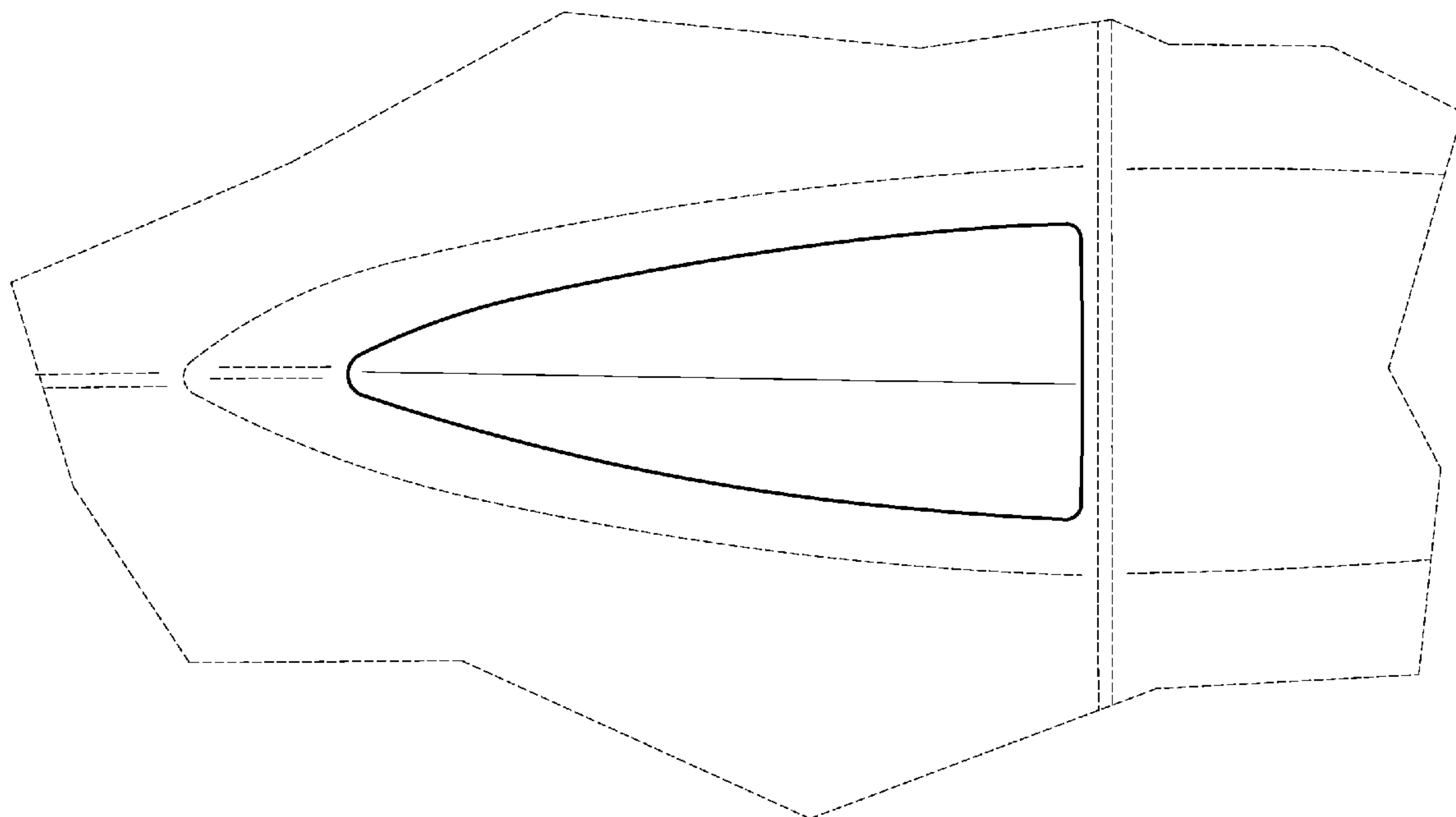
In the drawings, the broken lines depict portions of an automobile that form no part of the claim.

(56) **References Cited**

**U.S. PATENT DOCUMENTS**

- D389,438 S 1/1998 Guichard
- D494,900 S \* 8/2004 Satou ..... D12/173
- D504,642 S \* 5/2005 Perfetti et al. .... D12/173

**1 Claim, 4 Drawing Sheets**



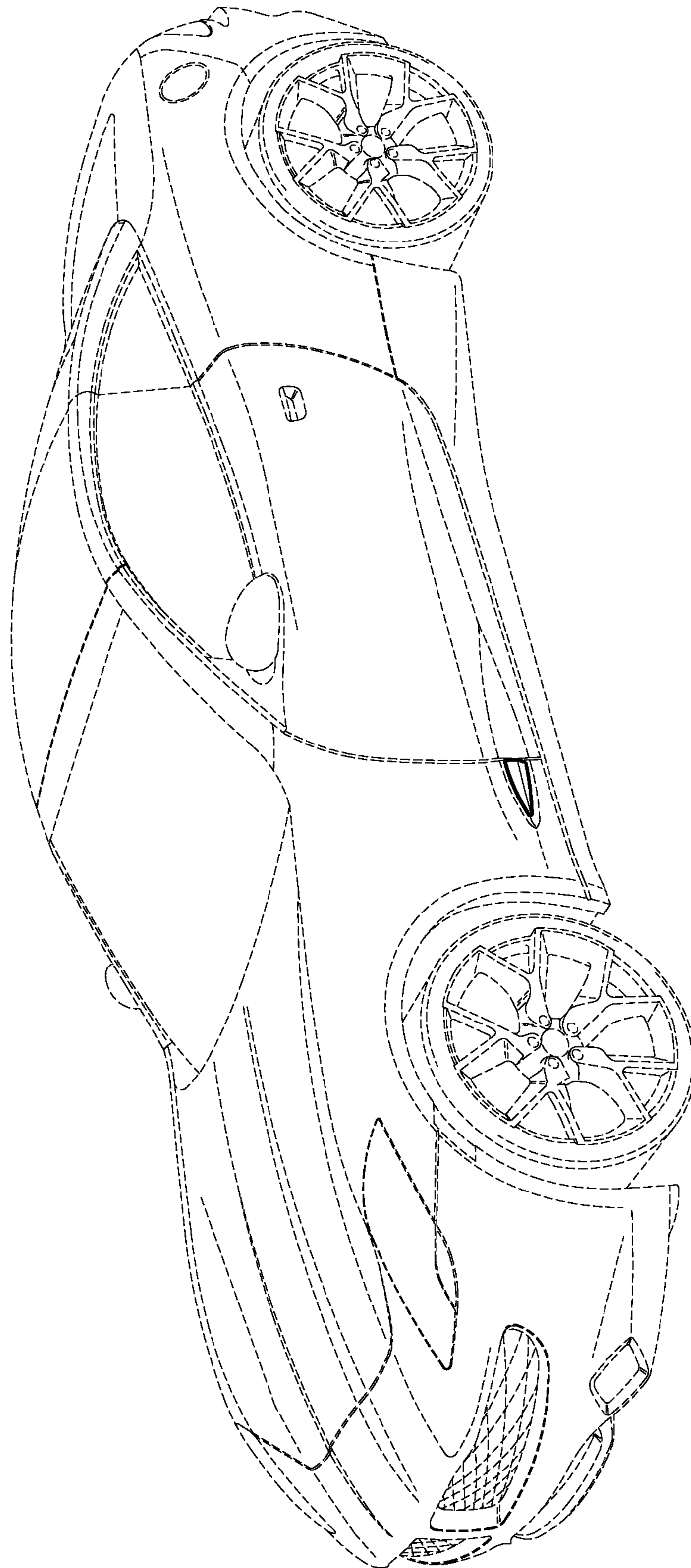


FIG-1

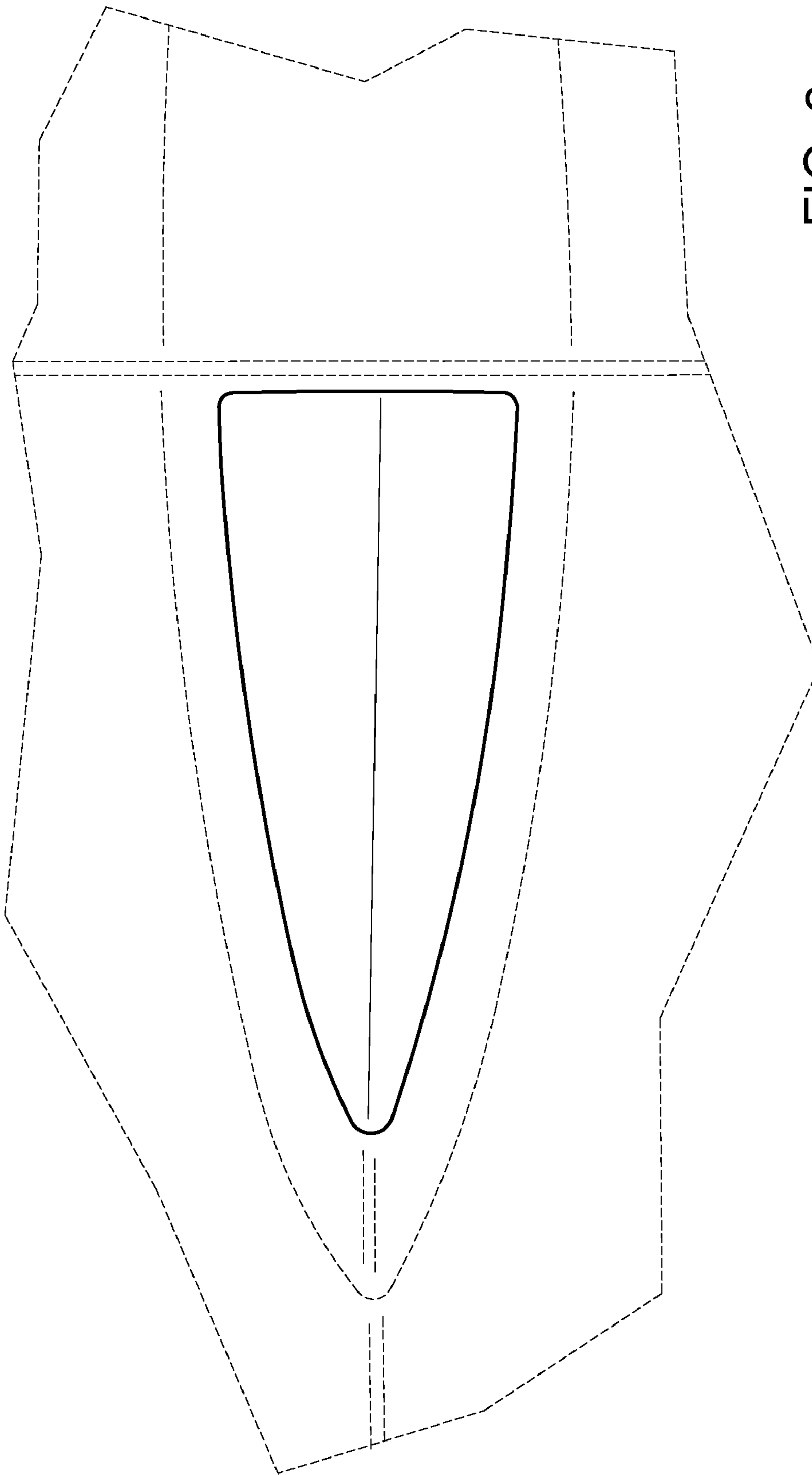


FIG. 2

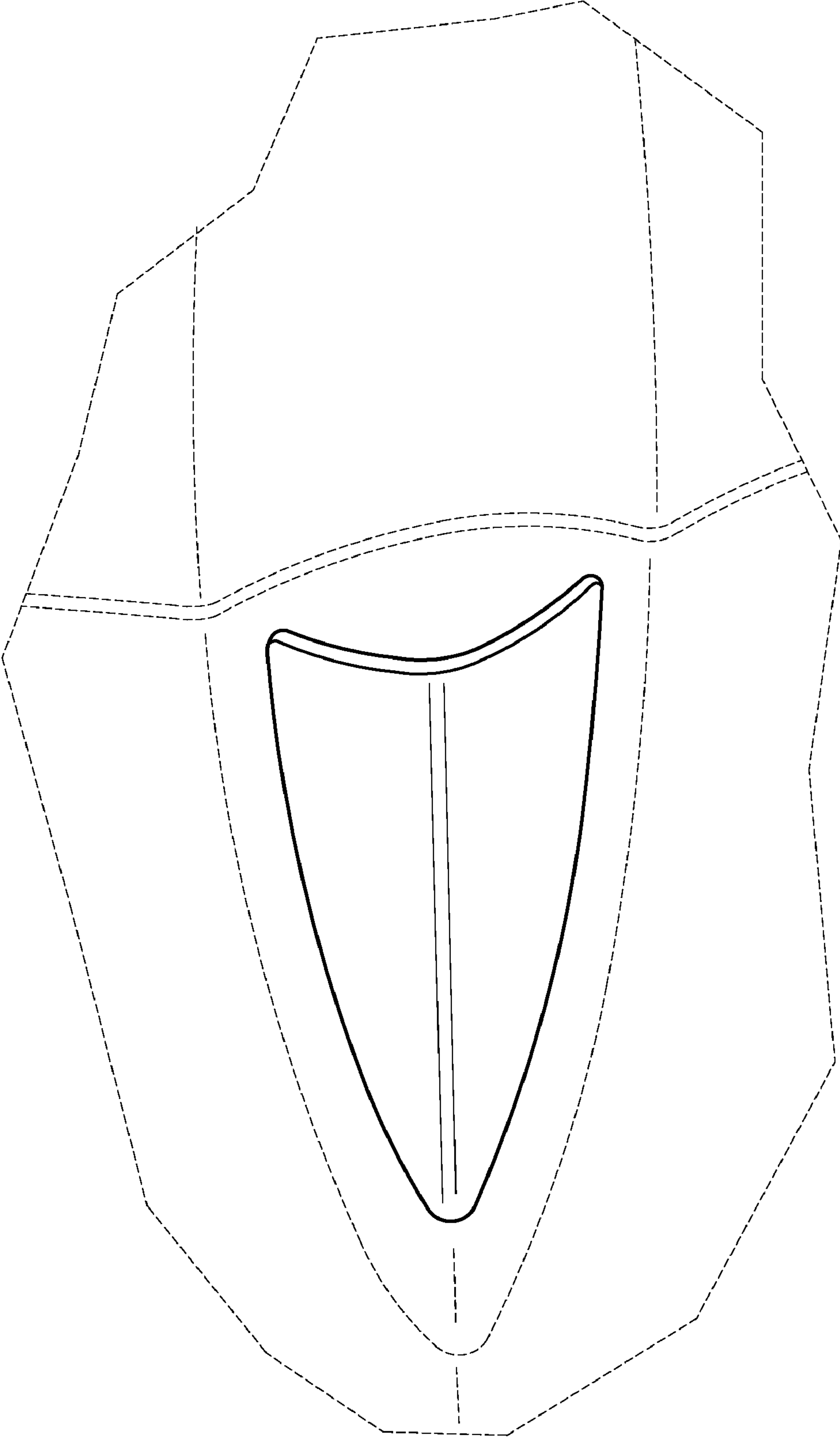
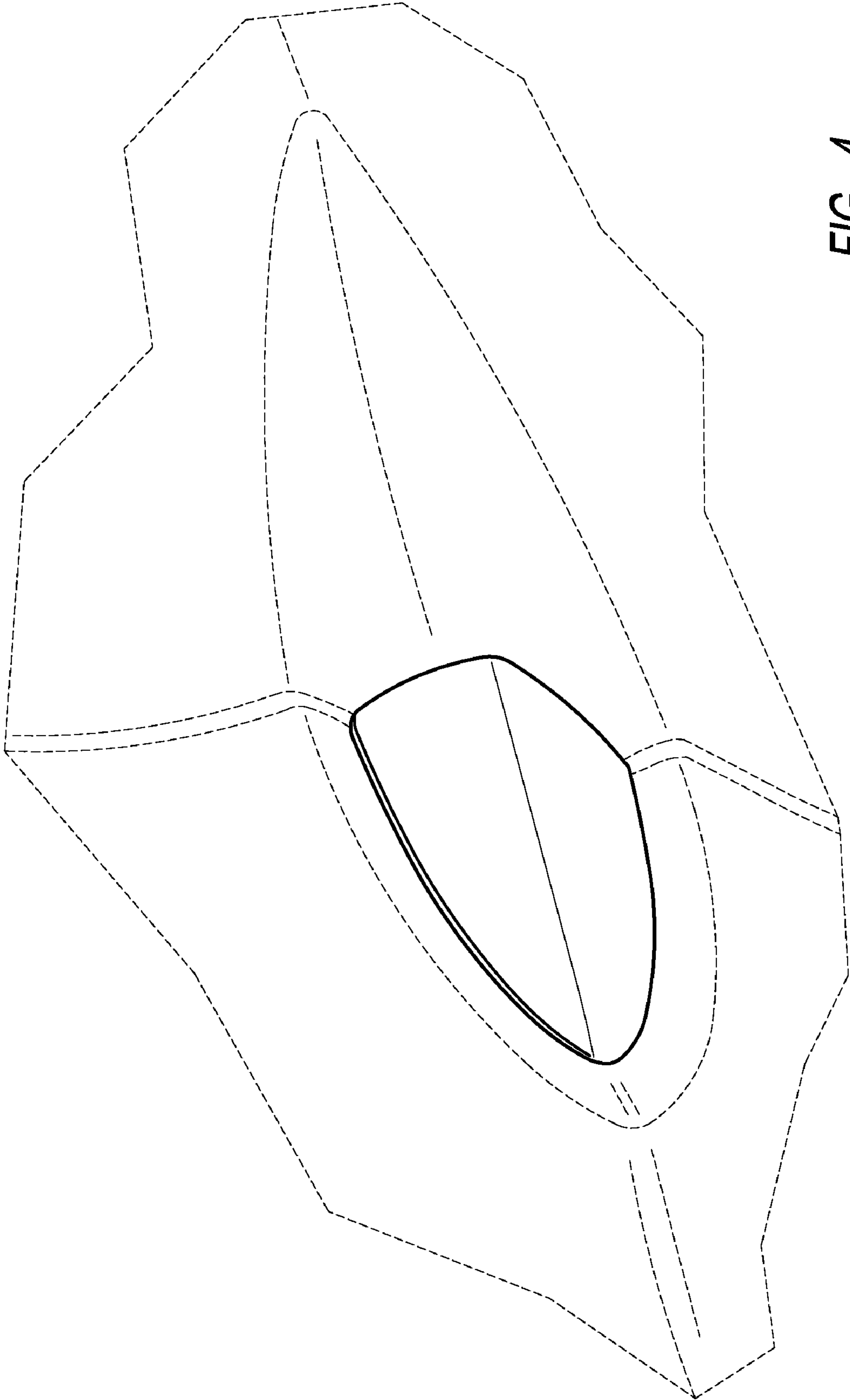


FIG - 3



**FIG - 4**