



US00D628523S

(12) **United States Design Patent**
Daniel

(10) **Patent No.:** **US D628,523 S**
(45) **Date of Patent:** **** Dec. 7, 2010**

(54) **STEERING COLUMN ATTACHMENT**

D204,249 S * 4/1966 Jorgensen D12/177
D222,050 S * 9/1971 Romanoski D12/177
D610,058 S * 2/2010 Wilson D12/177

(75) Inventor: **Isaac S. Daniel**, Miramar, FL (US)

(73) Assignee: **F3M3 Companies, Inc.**, Miramar, FL (US)

* cited by examiner

Primary Examiner—Melody N Brown

(74) *Attorney, Agent, or Firm*—Alberto Interian, III, Esq.

(**) Term: **14 Years**

(21) Appl. No.: **29/359,363**

(57) **CLAIM**

(22) Filed: **Apr. 9, 2010**

The ornamental design for a steering column attachment, as shown and described.

(51) **LOC (9) Cl.** **12-16**

(52) **U.S. Cl.** **D12/177**

(58) **Field of Classification Search** D12/175-177,
D12/192, 317, 345; D10/46, 98, 102, 103,
D10/106; D15/17, 28; 73/431, 866.3; 180/90;
200/61.54-61.57, 1 R, 5 R, 51.02-51.06,
200/293, 295; 280/750-752; 296/190.01-190.09,
296/70; 362/482, 489; 439/76.1, 206, 519,
439/521, 520

See application file for complete search history.

DESCRIPTION

FIG. 1 is a perspective view a steering column attachment showing my new design;

FIG. 2 is a front view thereof;

FIG. 3 is a rear view thereof;

FIG. 4 is a side view thereof;

FIG. 5 is an opposite side view thereof;

FIG. 6 is a top view thereof; and,

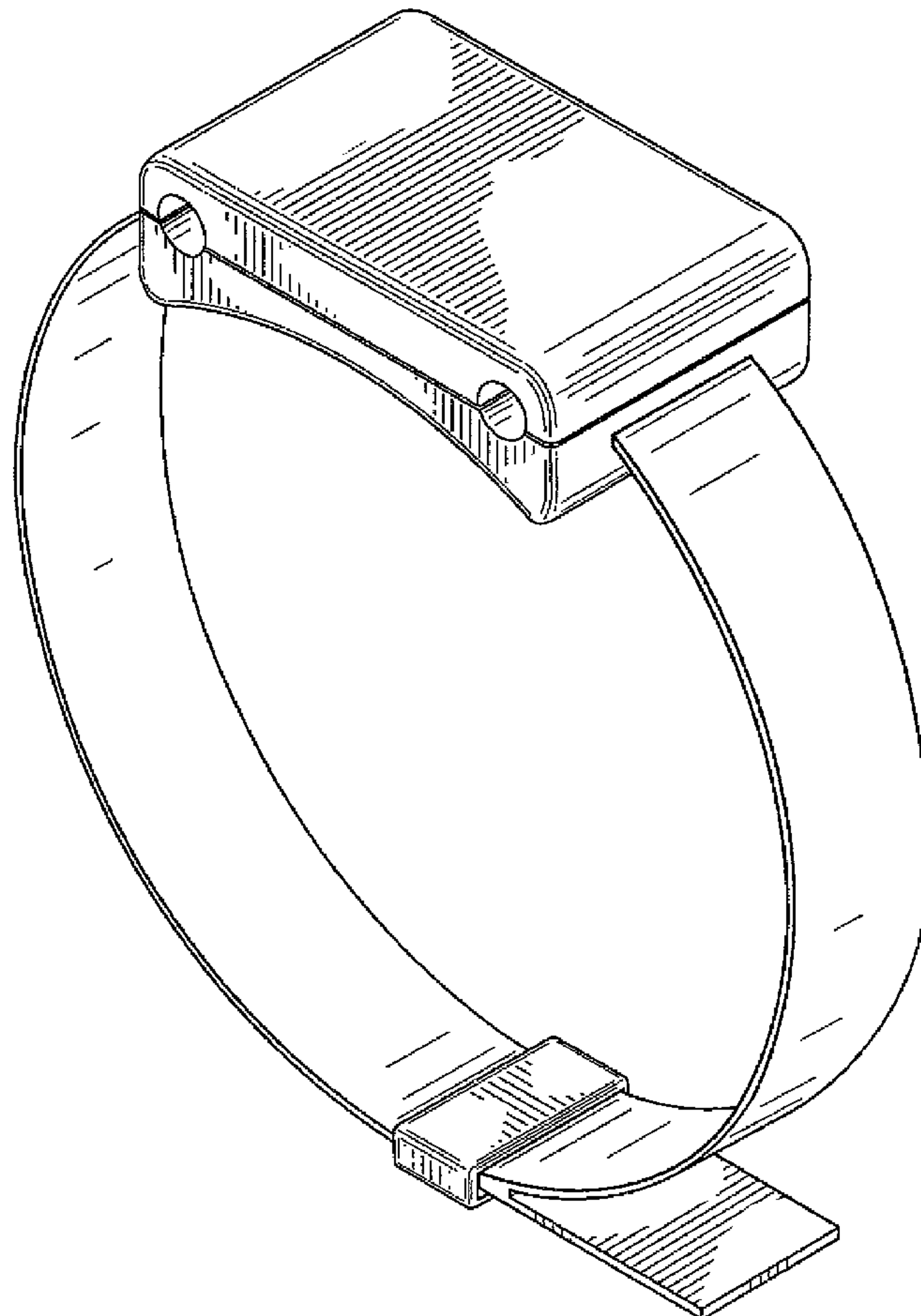
FIG. 7 is a bottom view thereof.

(56) **References Cited**

U.S. PATENT DOCUMENTS

D129,420 S * 9/1941 Benett D12/177

1 Claim, 7 Drawing Sheets



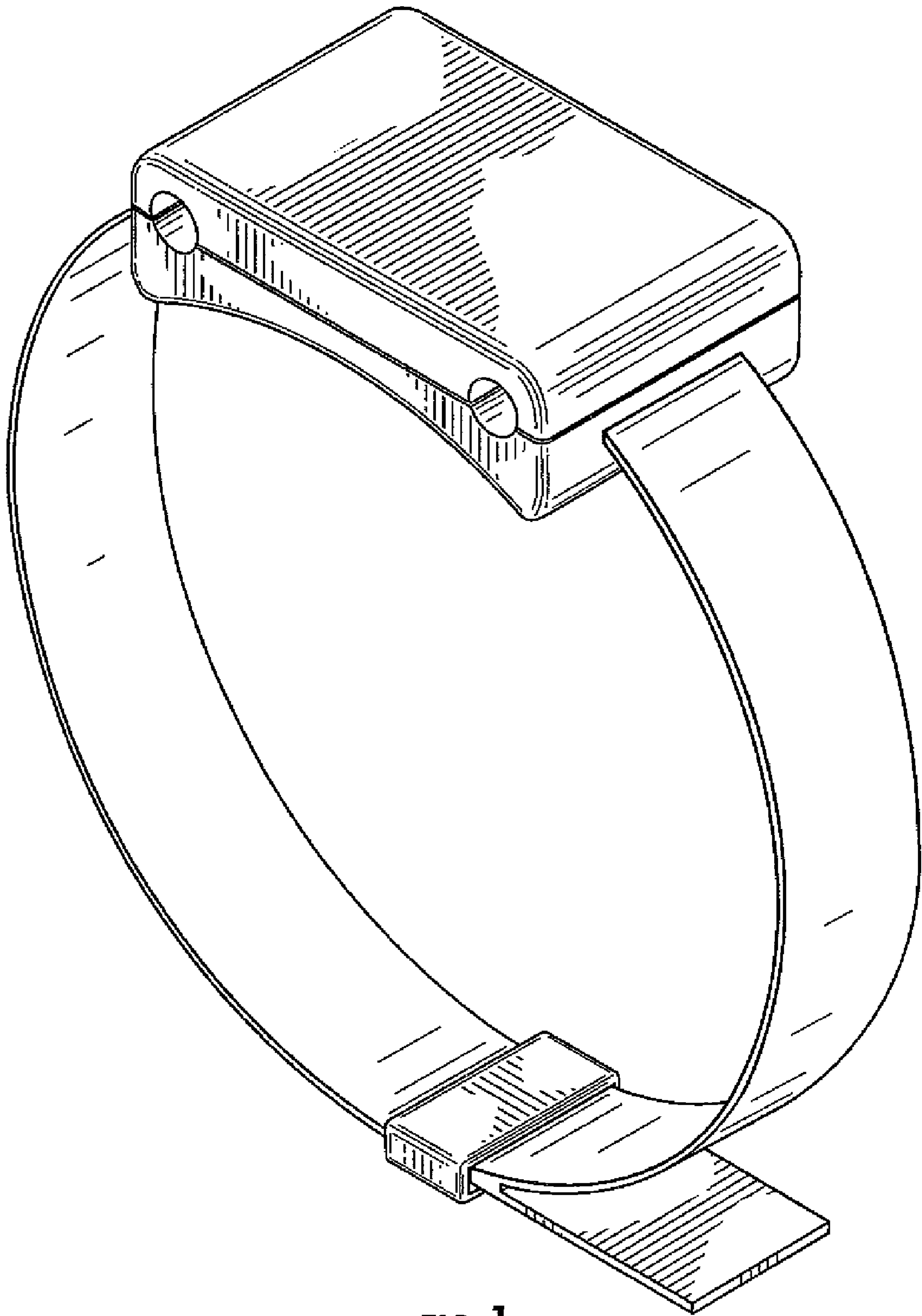


FIG. 1

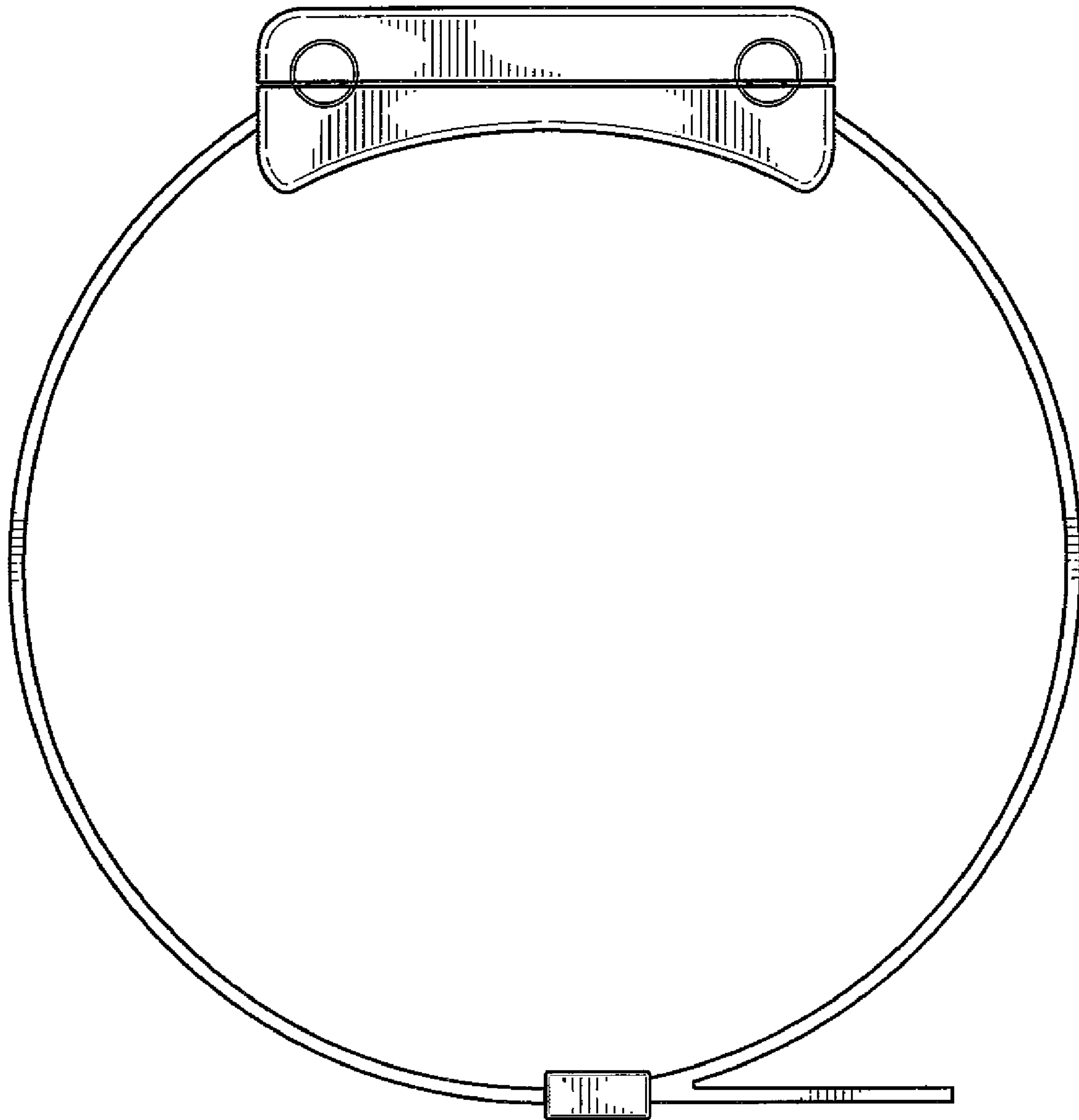


FIG. 2

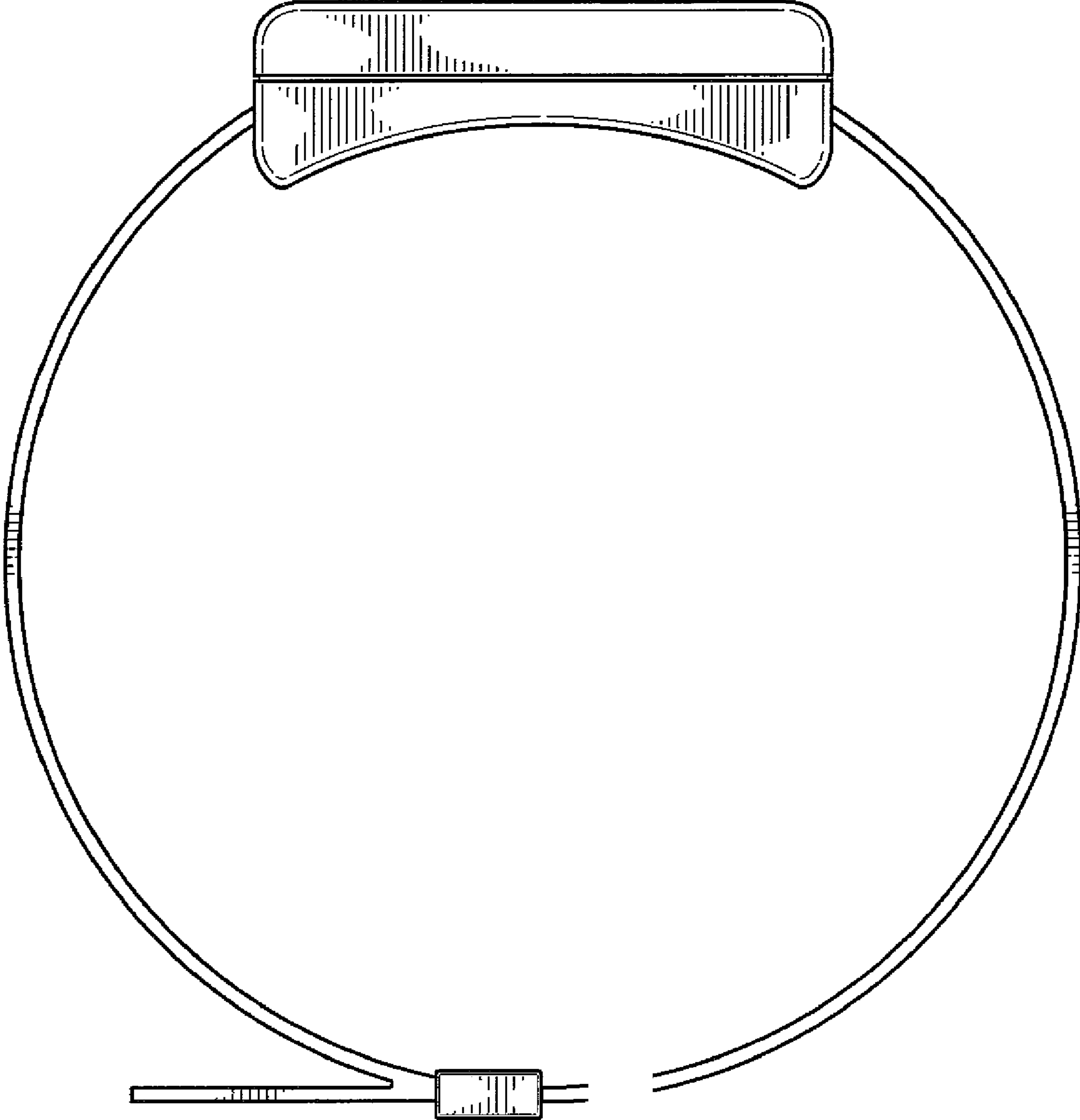


FIG. 3

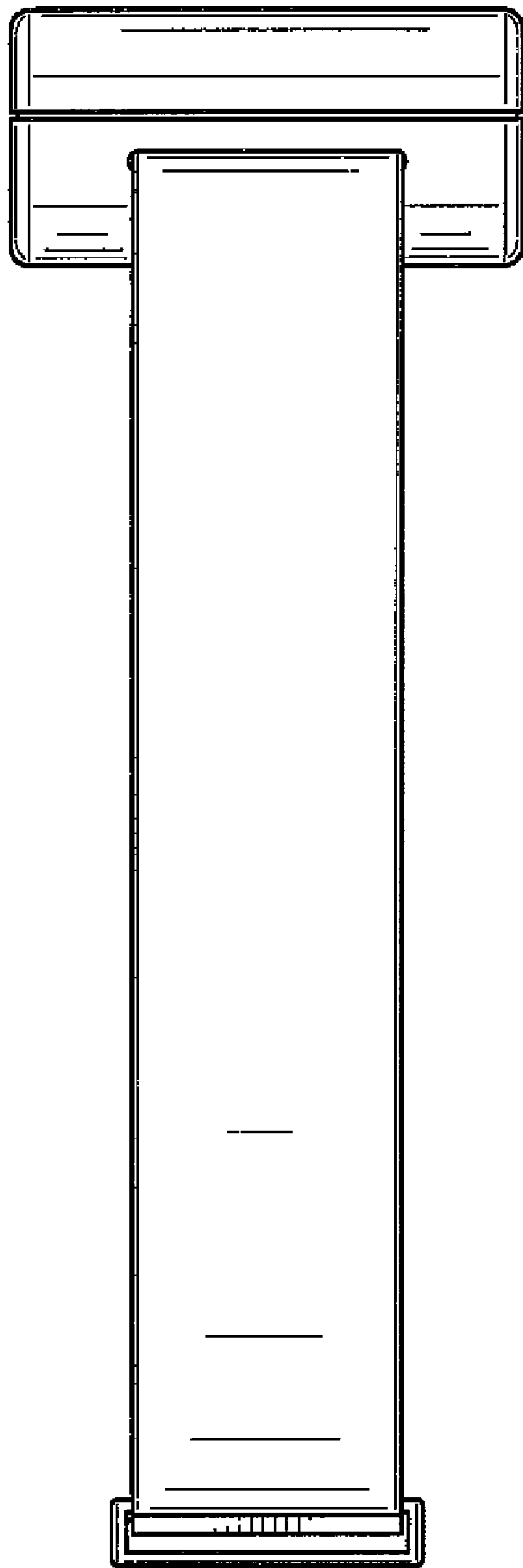


FIG. 4

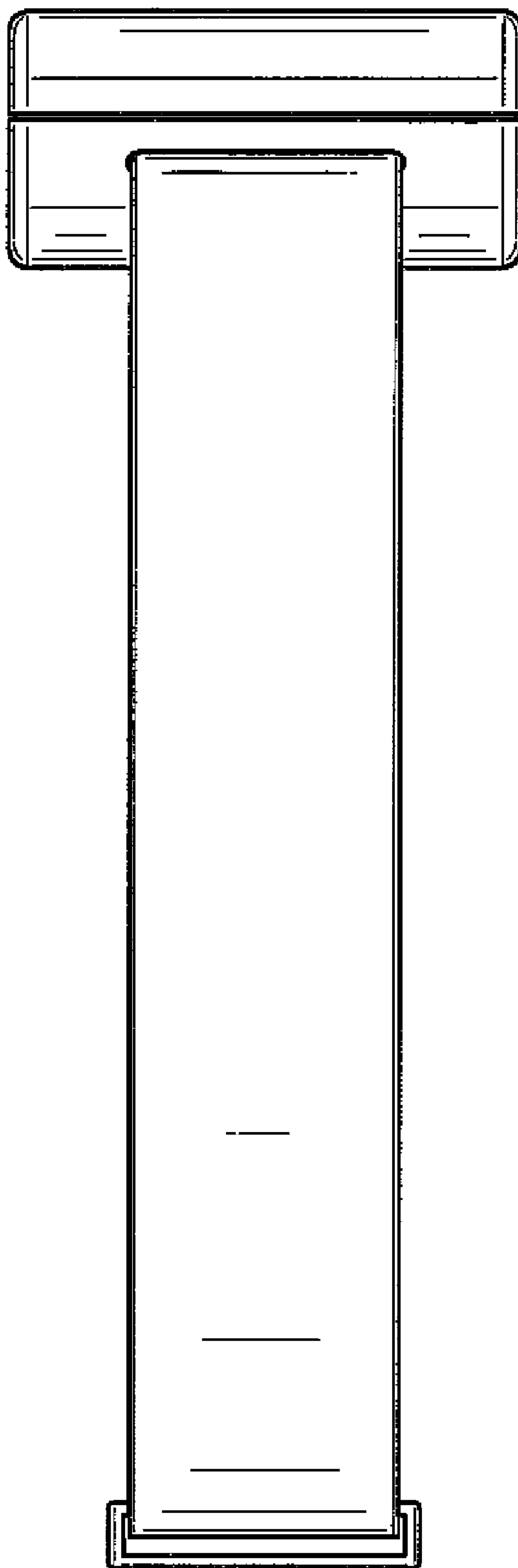


FIG. 5

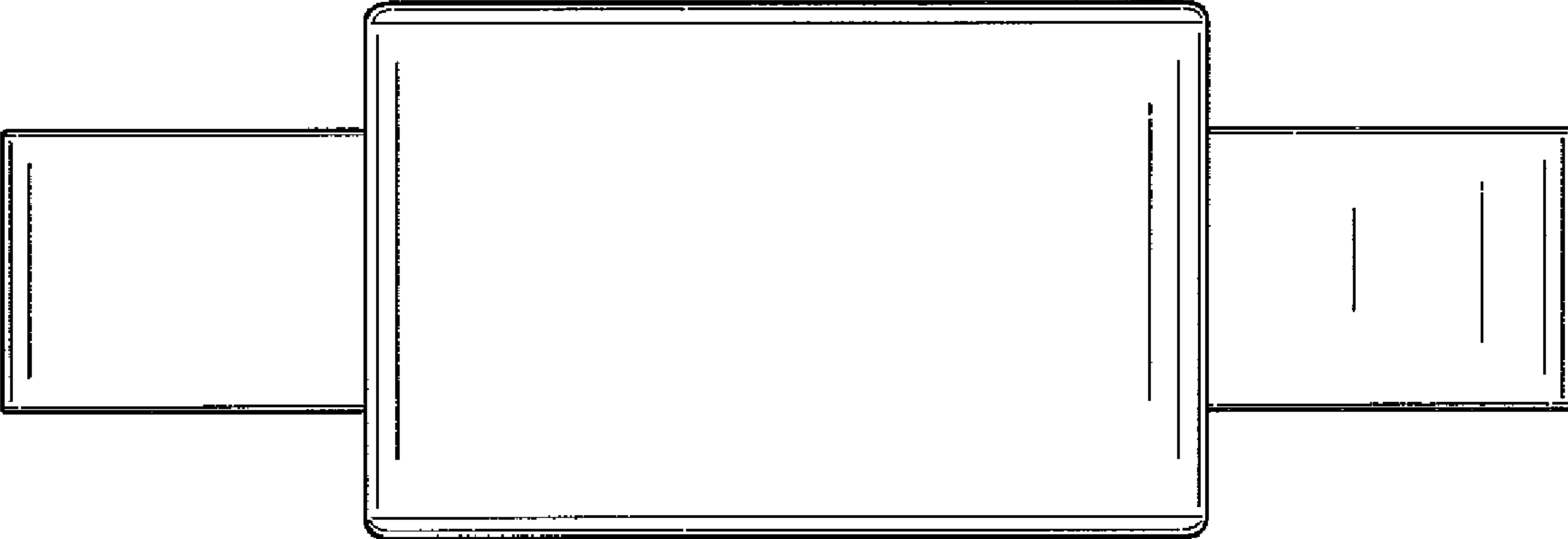


FIG. 6

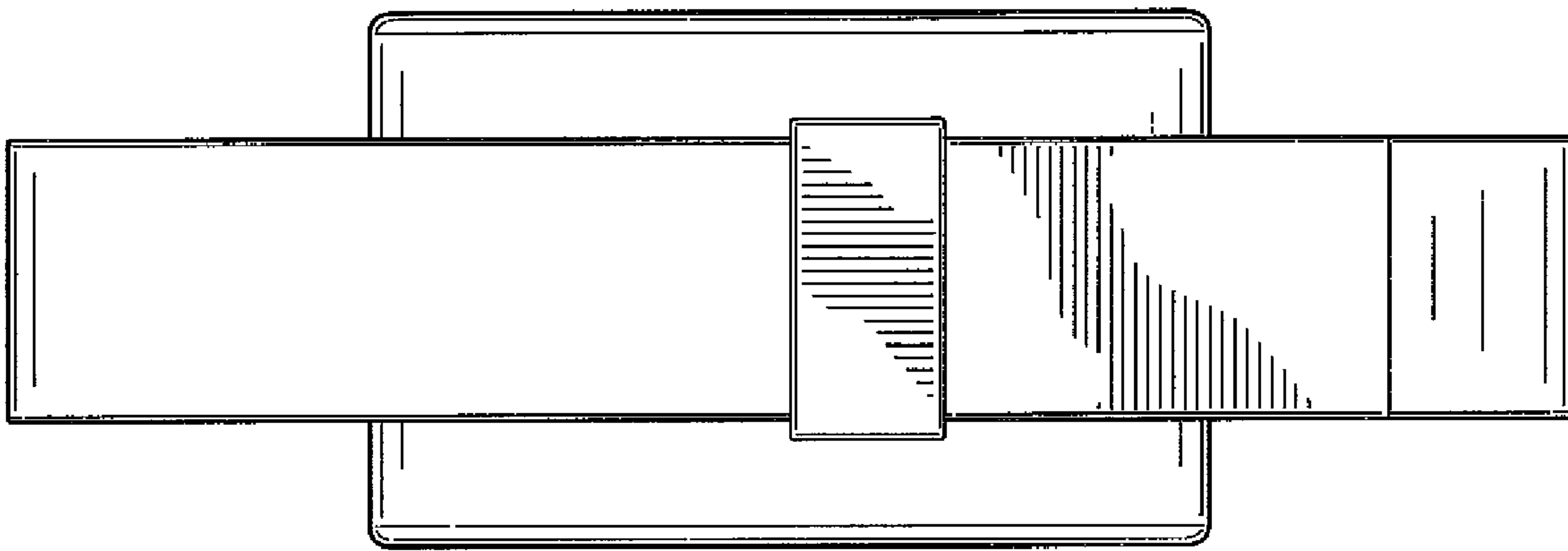


FIG. 7