

US00D628519S

(12) **United States Design Patent**  
**Panoz et al.**

(10) **Patent No.:** **US D628,519 S**

(45) **Date of Patent:** **\*\* Dec. 7, 2010**

(54) **VEHICLE**

(75) Inventors: **Daniel E. Panoz**, Braselton, GA (US);  
**Donald E. Panoz**, Hoschton, GA (US)

(73) Assignee: **Panoz Automotive Development Company**, Hoschton, GA (US)

(\*\*) Term: **14 Years**

(21) Appl. No.: **29/359,540**

(22) Filed: **Apr. 13, 2010**

(51) **LOC (9) Cl.** ..... **12-08**

(52) **U.S. Cl.** ..... **D12/92**

(58) **Field of Classification Search** ..... D12/86,  
D12/90-92, 88; D21/424, 433, 434; 296/181.1,  
296/181.5

See application file for complete search history.

(56) **References Cited**

**U.S. PATENT DOCUMENTS**

D373,331 S	9/1996	Ohkura et al.	
D411,138 S	6/1999	Ramaciotti	
D456,313 S	4/2002	Walling et al.	
D458,872 S	6/2002	Ramaciotti	
D467,524 S	12/2002	Desmond	
D477,548 S	7/2003	Panoz	
D528,945 S *	9/2006	Petrotta	..... D12/92

D550,126 S *	9/2007	Amprimo et al.	..... D12/92
D582,315 S *	12/2008	Fitzgerald	..... D12/92
D619,503 S *	7/2010	Ishibashi et al.	..... D12/92

**OTHER PUBLICATIONS**

Road & Track "The New Cars," Oct. 1999, pp. 1-8.

\* cited by examiner

*Primary Examiner*—Melody N Brown

(74) *Attorney, Agent, or Firm*—Brooks Kushman P.C.

(57) **CLAIM**

The ornamental design for a vehicle, as shown and described.

**DESCRIPTION**

FIG. 1 is a perspective view of the top, left side and front of the vehicle showing our new design;

FIG. 2 is a perspective view of the top, right side and rear thereof;

FIG. 3 is a left side elevation view thereof;

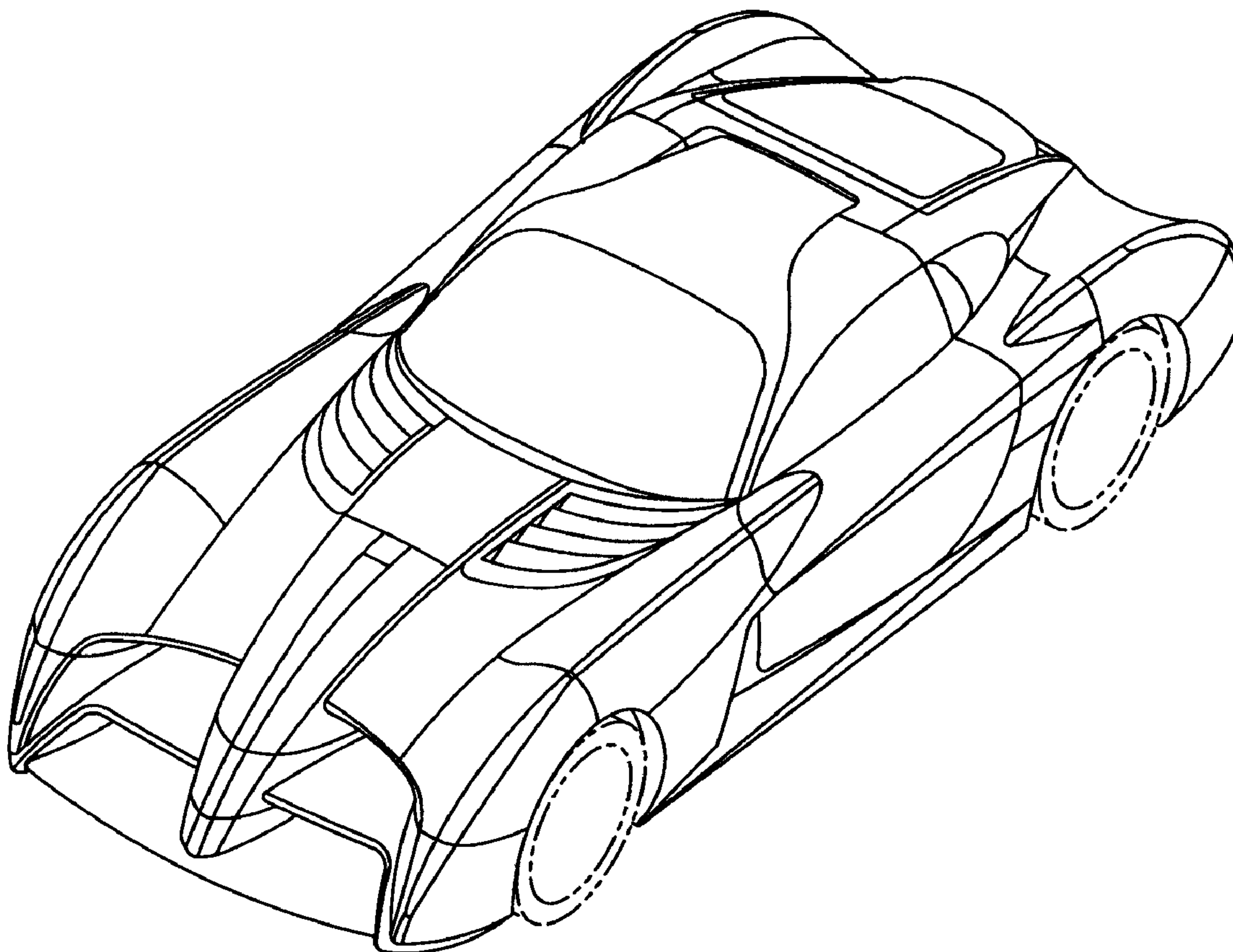
FIG. 4 is a top plan view thereof;

FIG. 5 is a front elevation view thereof; and,

FIG. 6 is a rear elevation view thereof.

The broken lines are for illustrative purposes only and form no part of the claimed design.

**1 Claim, 4 Drawing Sheets**



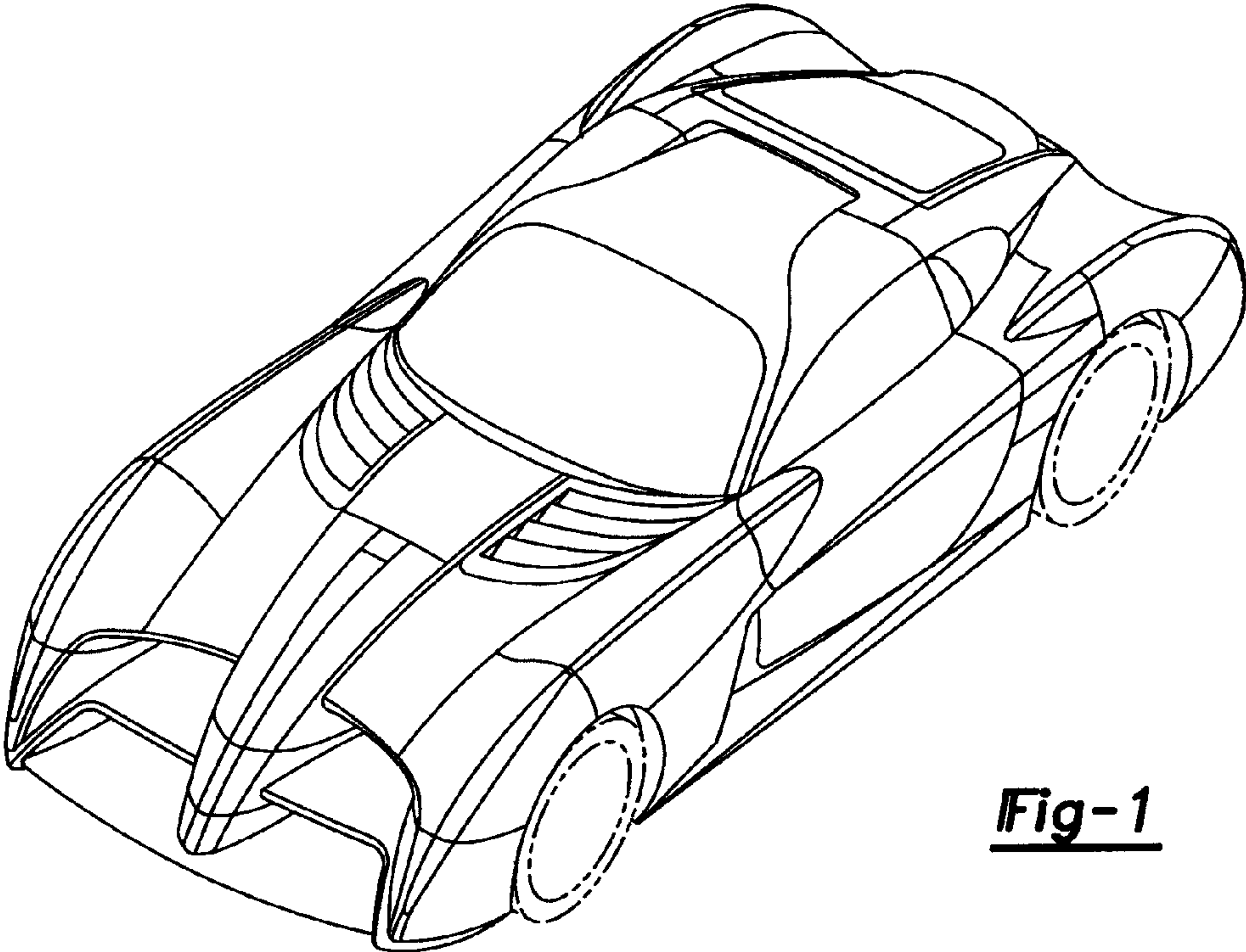


Fig-1

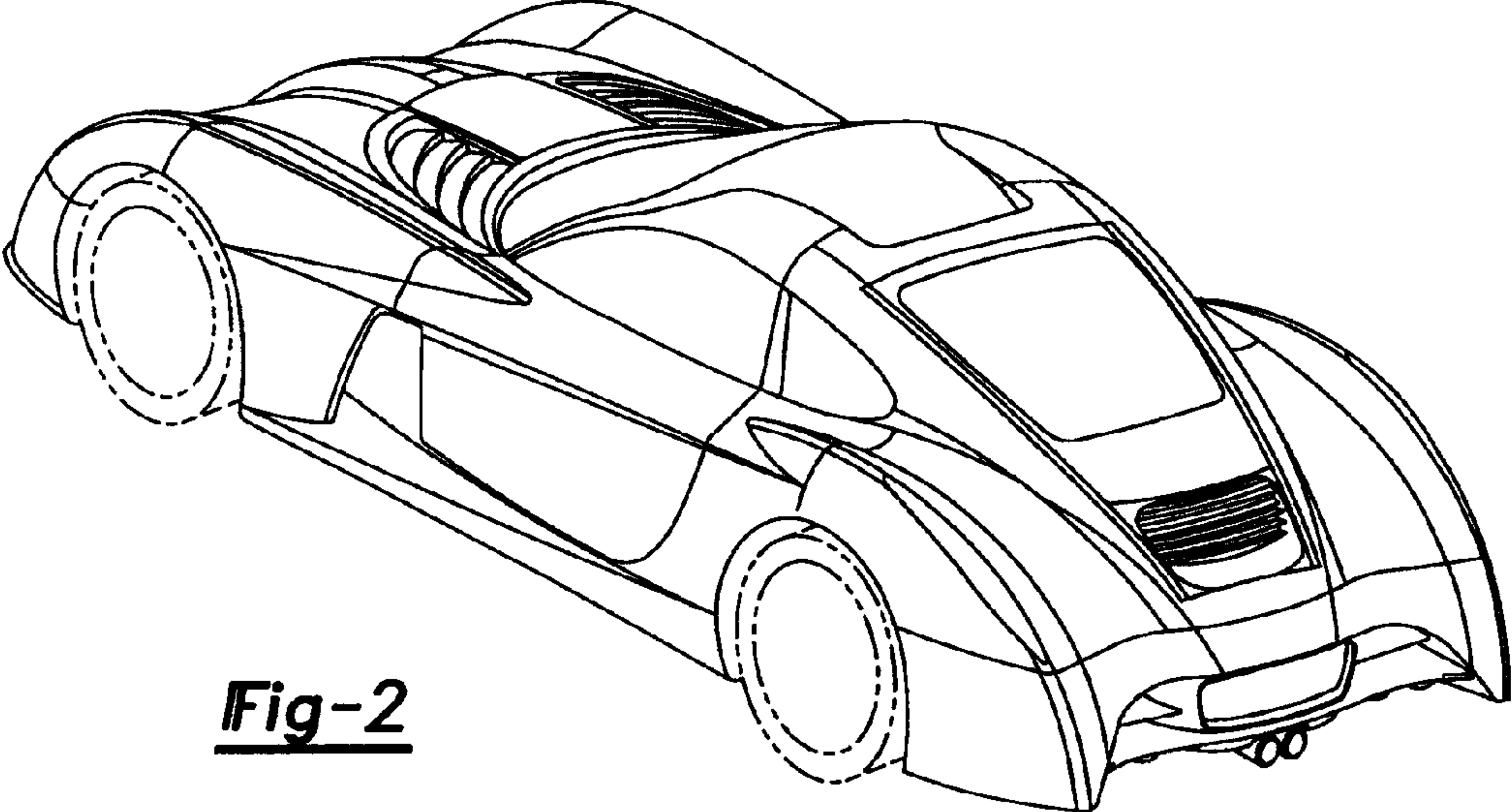


Fig-2

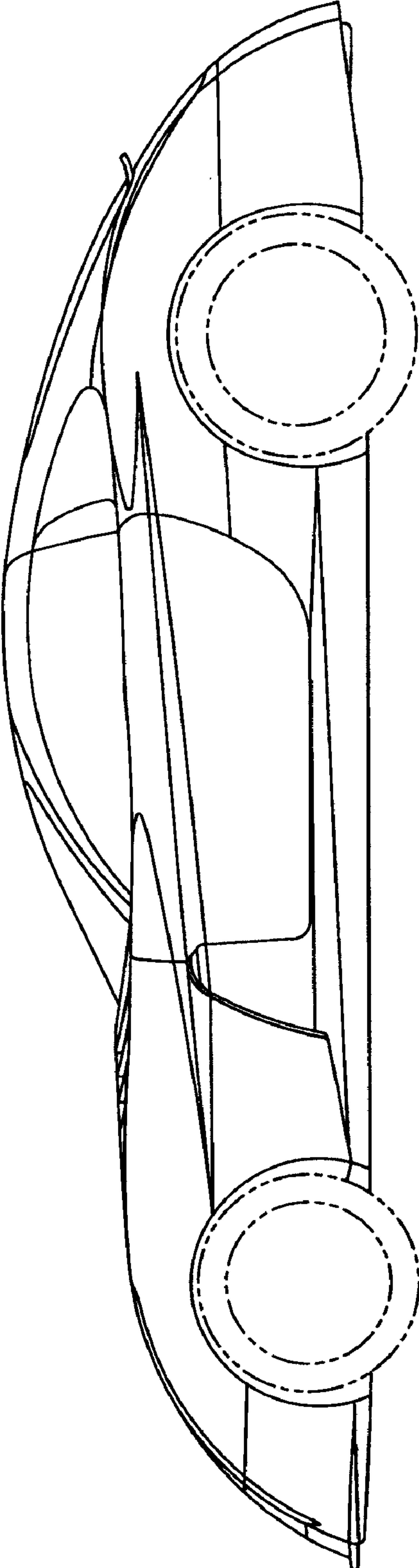


Fig-3

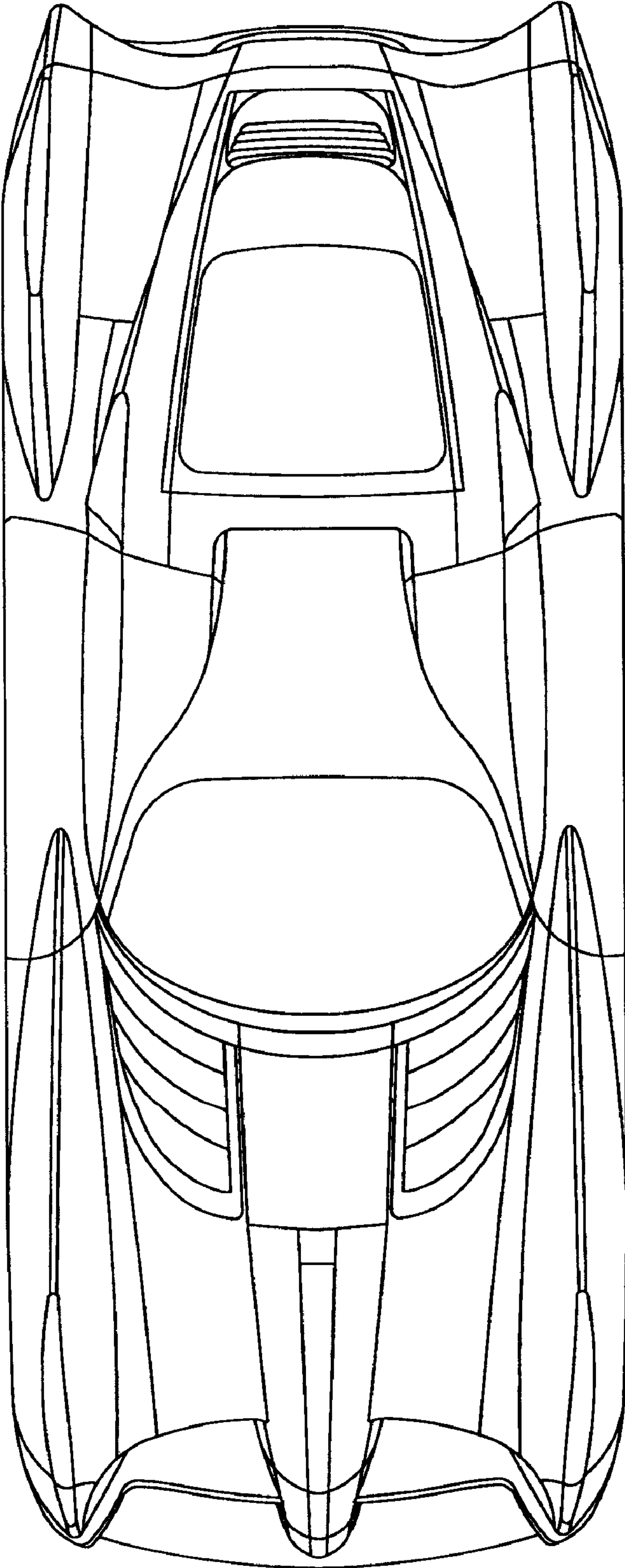
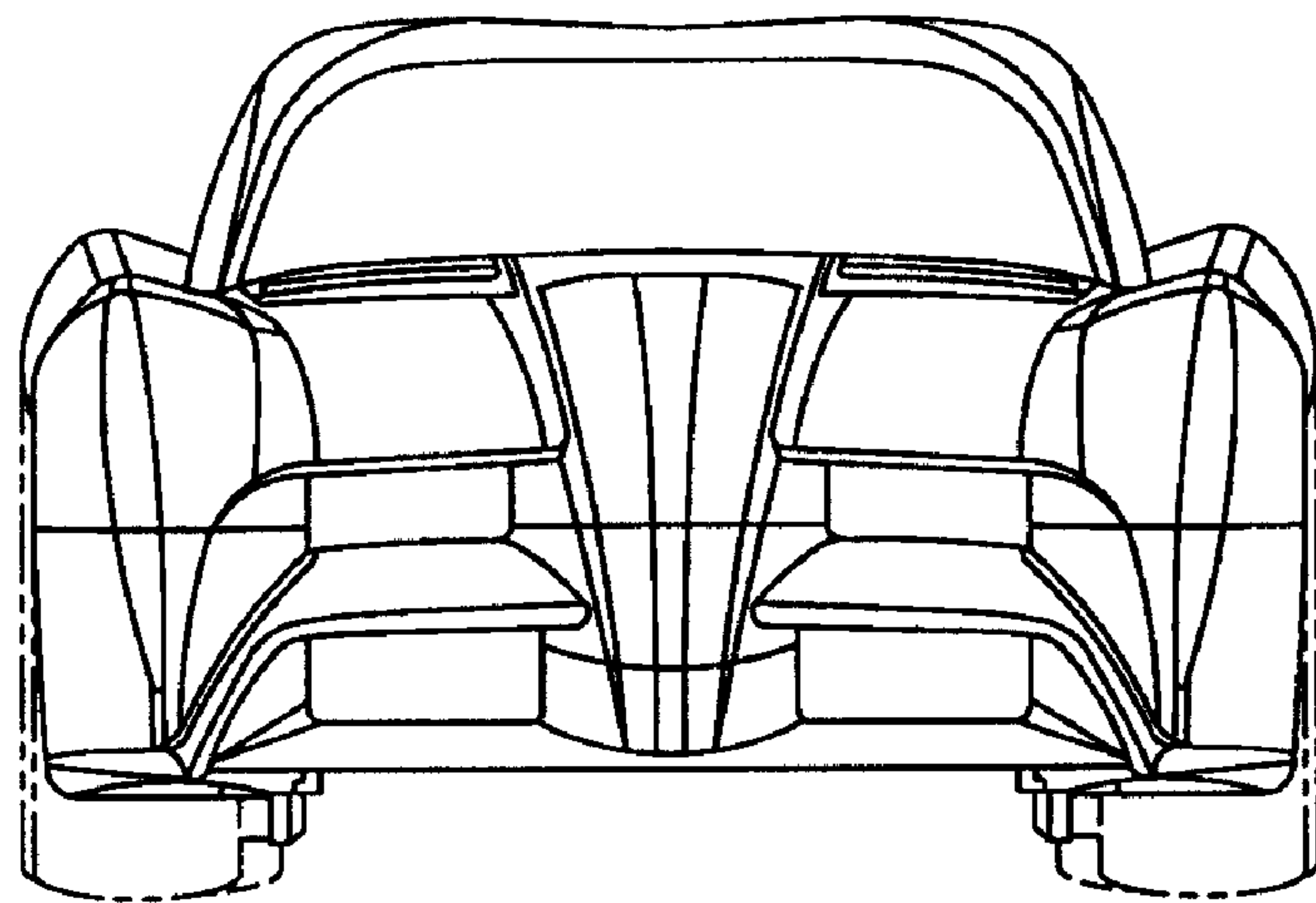
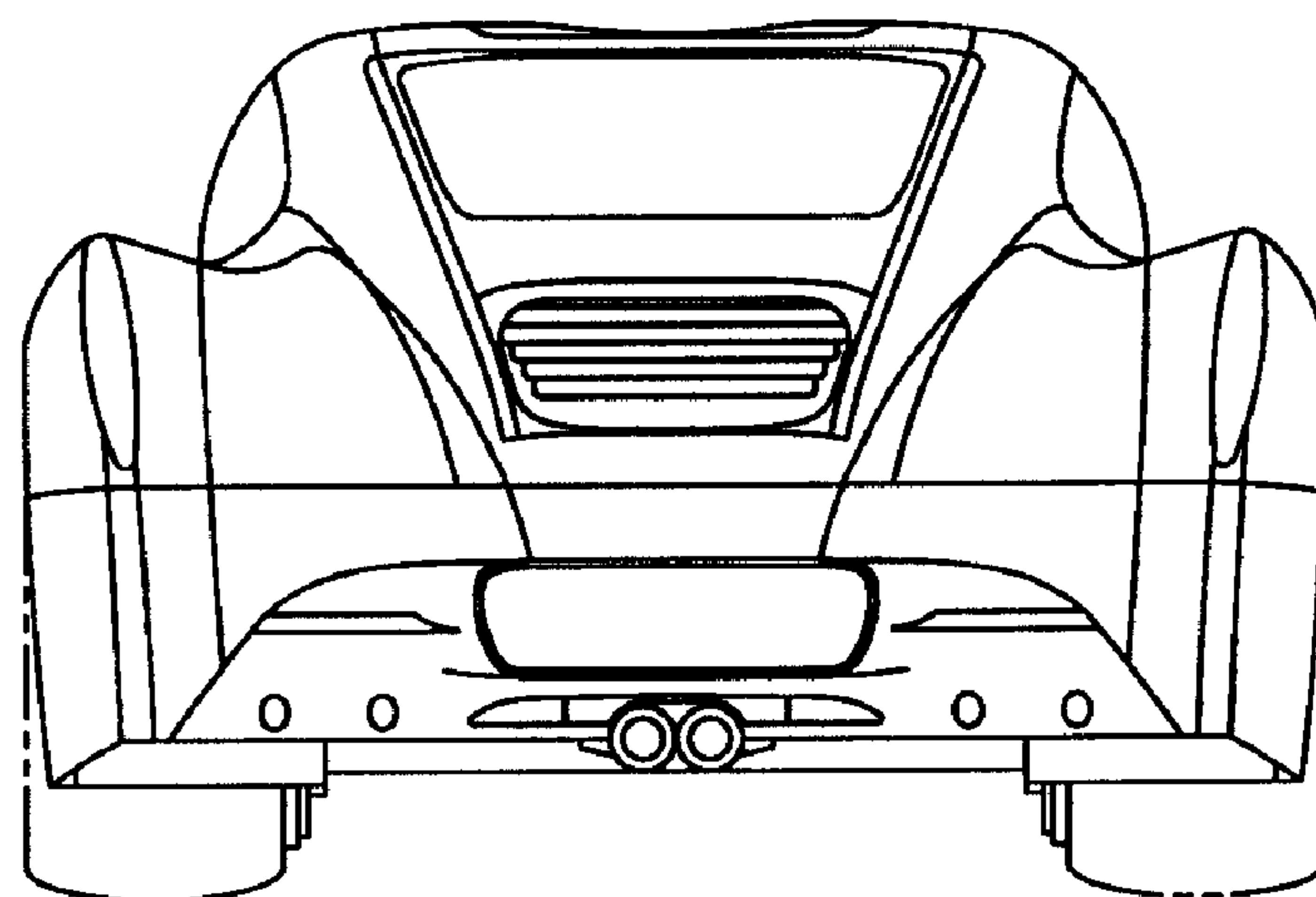


Fig-4





**Fig-5**



**Fig-6**