

US00D628518S

(12) **United States Design Patent**
Hanson et al.

(10) **Patent No.:** **US D628,518 S**
(45) **Date of Patent:** **** Dec. 7, 2010**

- (54) **GOLF CAR FRONT END**
- (75) Inventors: **Donald S. Hanson**, Evans, GA (US);
Richard Krall, Augusta, GA (US)
- (73) Assignee: **Textron Innovations Inc.**, Providence,
RI (US)
- (**) Term: **14 Years**
- (21) Appl. No.: **29/296,801**
- (22) Filed: **Oct. 29, 2007**
- (51) **LOC (9) Cl.** **12-02**
- (52) **U.S. Cl.** **D12/16**
- (58) **Field of Classification Search** D12/87,
D12/86, 1, 433, 15, 16, 107, 82, 88, 89, 90,
D12/91, 92, 93; D15/30; D21/803; 180/233,
180/908; 280/DIG. 5, 183, 184, 185, 186,
280/28, 37.7; 296/70, 37.12, 72
See application file for complete search history.

(56) **References Cited**

U.S. PATENT DOCUMENTS

- D345,717 S 4/1994 Molzon et al.
- D345,718 S 4/1994 Molzon et al.
- D369,762 S 5/1996 Molzon et al.
- D373,099 S 8/1996 Molzon et al.
- 5,597,181 A * 1/1997 Lyles et al. 280/93.507
- 5,836,412 A 11/1998 Lyles et al.
- D430,619 S * 9/2000 Wang et al. D21/433
- D449,806 S 10/2001 VanderMolen
- D472,857 S 4/2003 Weber et al.
- 6,582,002 B2 * 6/2003 Hogan et al. 296/37.12
- D498,436 S 11/2004 Bonner et al.
- D498,704 S 11/2004 Bonner et al.
- D514,981 S 2/2006 Andrews et al.
- 7,210,723 B2 * 5/2007 Sugawara et al. 296/24.34
- 7,258,395 B2 * 8/2007 Bataille et al. 296/203.01

- 7,270,363 B1 * 9/2007 Hanson et al. 296/70
- D552,508 S * 10/2007 Hanson et al. D12/16
- D571,689 S * 6/2008 Andrews et al. D12/16
- 7,422,267 B2 * 9/2008 Curtis et al. 296/146.12
- D591,643 S * 5/2009 Tuo D12/16
- D600,593 S * 9/2009 Hanson et al. D12/16
- 2007/0007315 A1 * 1/2007 Hanson et al. 224/274
- 2007/0210603 A1 * 9/2007 Hanson et al. 296/70
- 2007/0257508 A1 * 11/2007 Ball et al. 296/102
- 2008/0163452 A1 * 7/2008 Ball et al. 16/2.1
- 2009/0108618 A1 * 4/2009 Hanson et al. 296/72

FOREIGN PATENT DOCUMENTS

WO 2004067360 8/2004

* cited by examiner

Primary Examiner—T. Chase Nelson

Assistant Examiner—Ania K Dworzecka

(74) *Attorney, Agent, or Firm*—Harness, Dickey & Pierce,
P.L.C.

(57) **CLAIM**

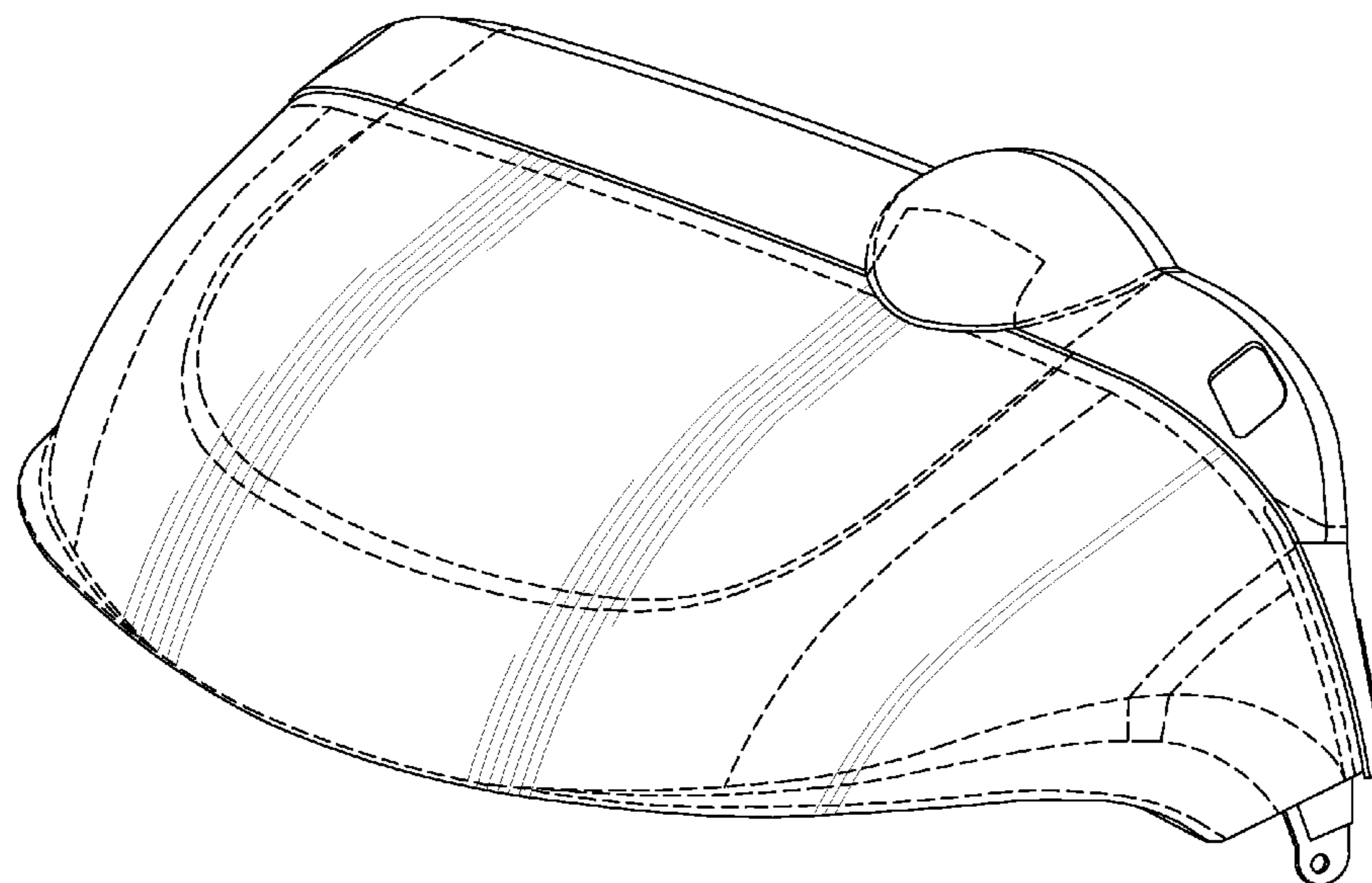
The ornamental design for a golf car front end, as shown and described.

DESCRIPTION

FIG. 1 is a front perspective view of a golf car front end;
 FIG. 2 is a front elevational view thereof;
 FIG. 3 is a top plan view thereof;
 FIG. 4 is a right side view thereof (the left side view being a mirror image of the right side);
 FIG. 5 is a rear elevational view looking forward thereof; and,
 FIG. 6 is a bottom plan view thereof.

The lines shown in phantom are for illustrative purposes only and do not form part of the invention.

1 Claim, 3 Drawing Sheets



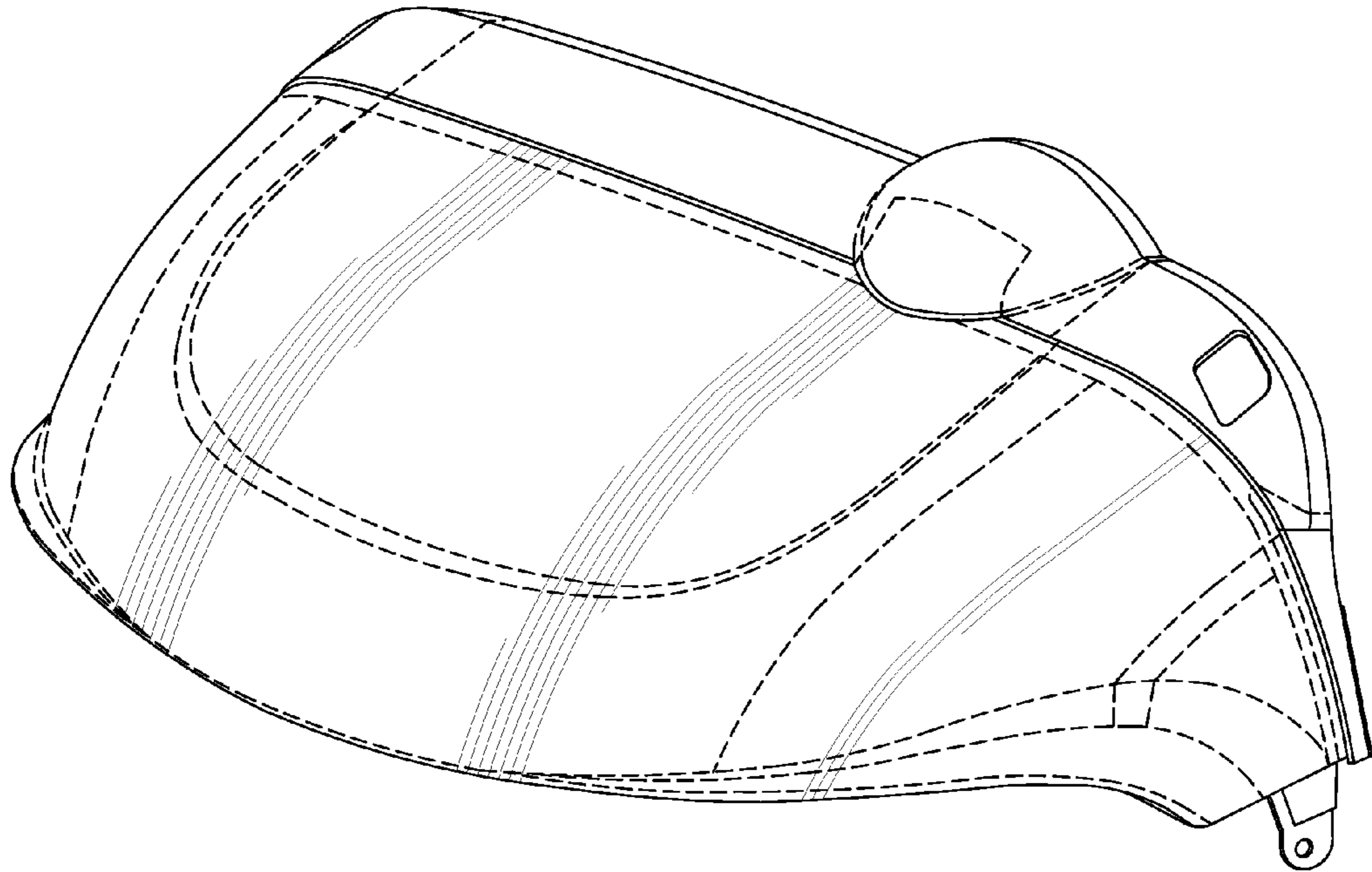


Fig-1

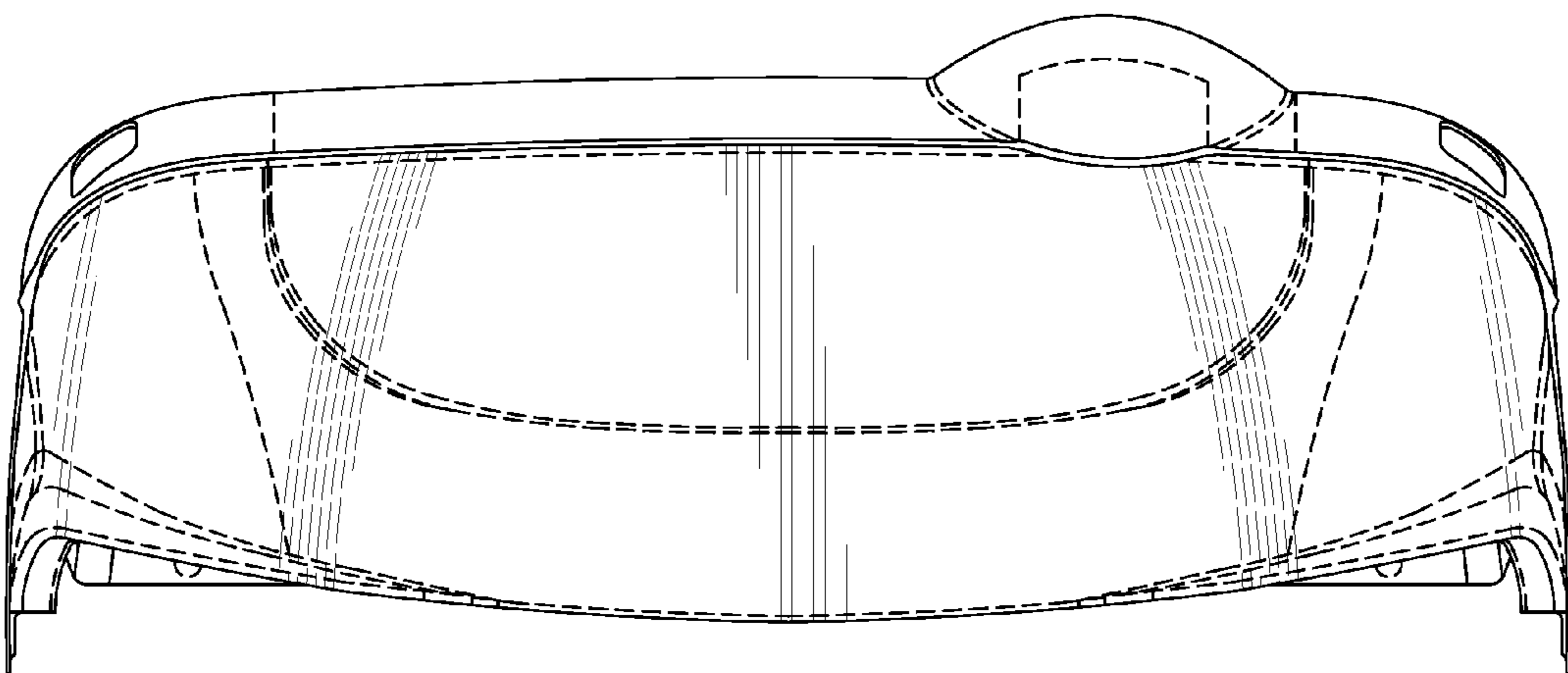


Fig-2

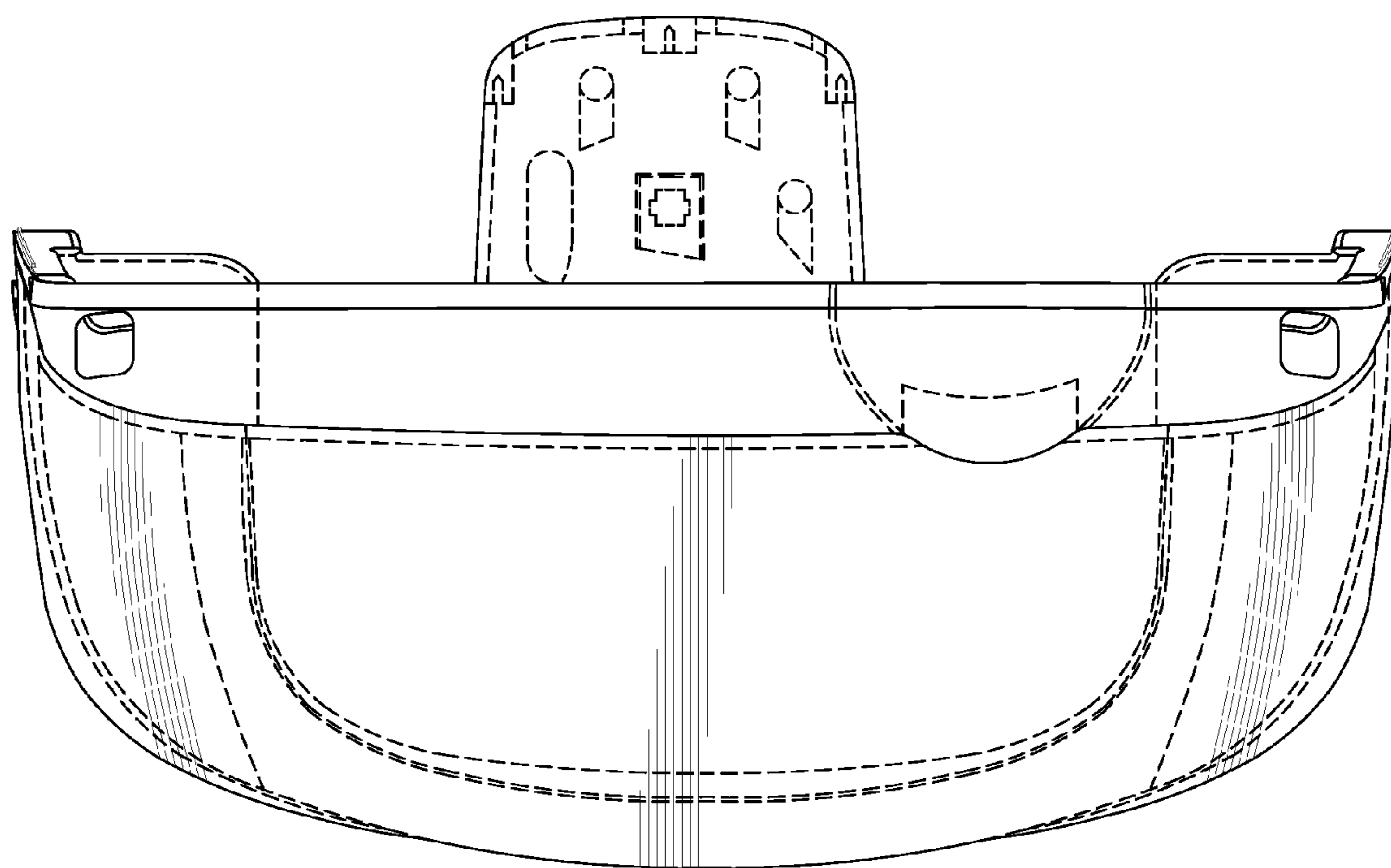


Fig-3

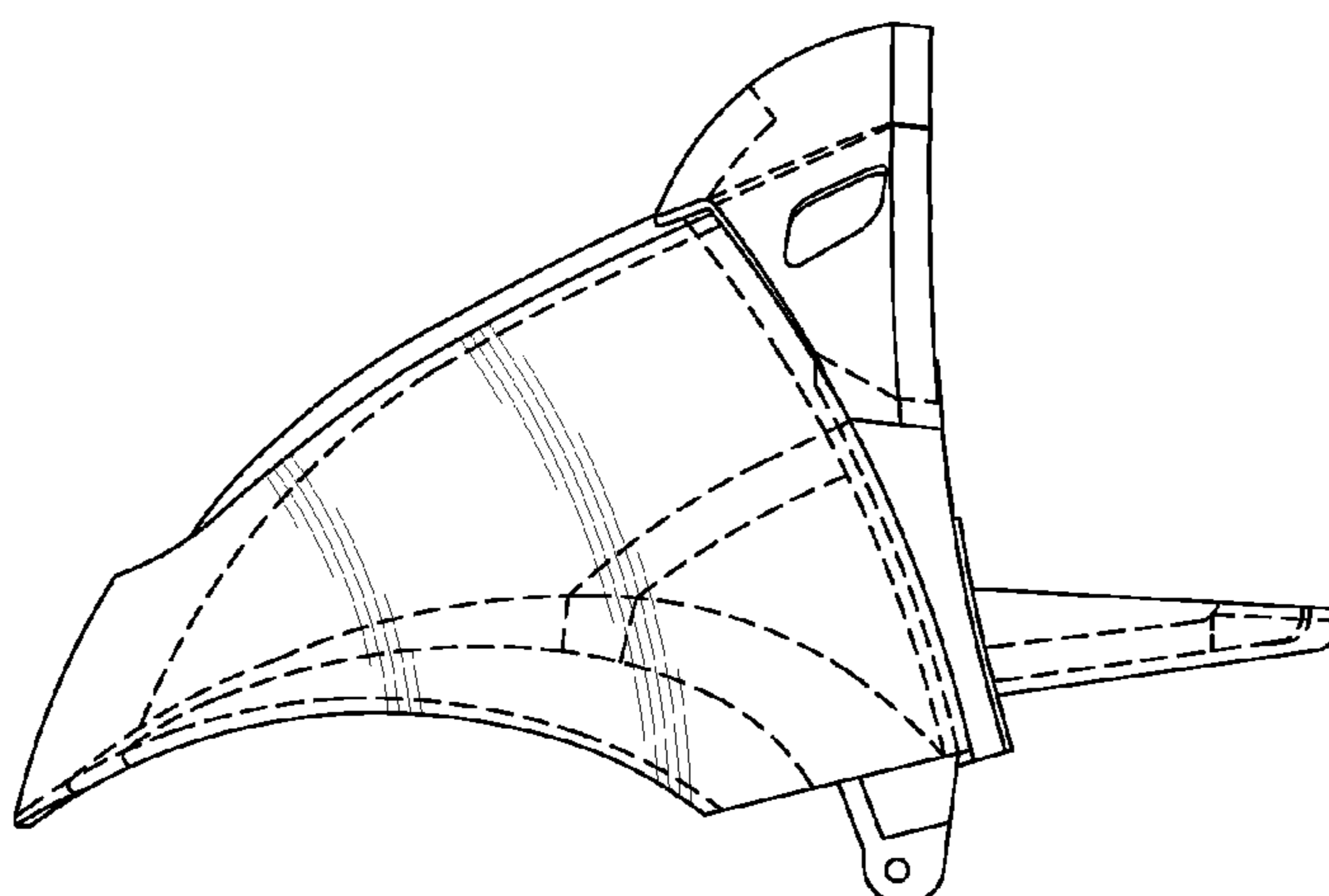


Fig-4

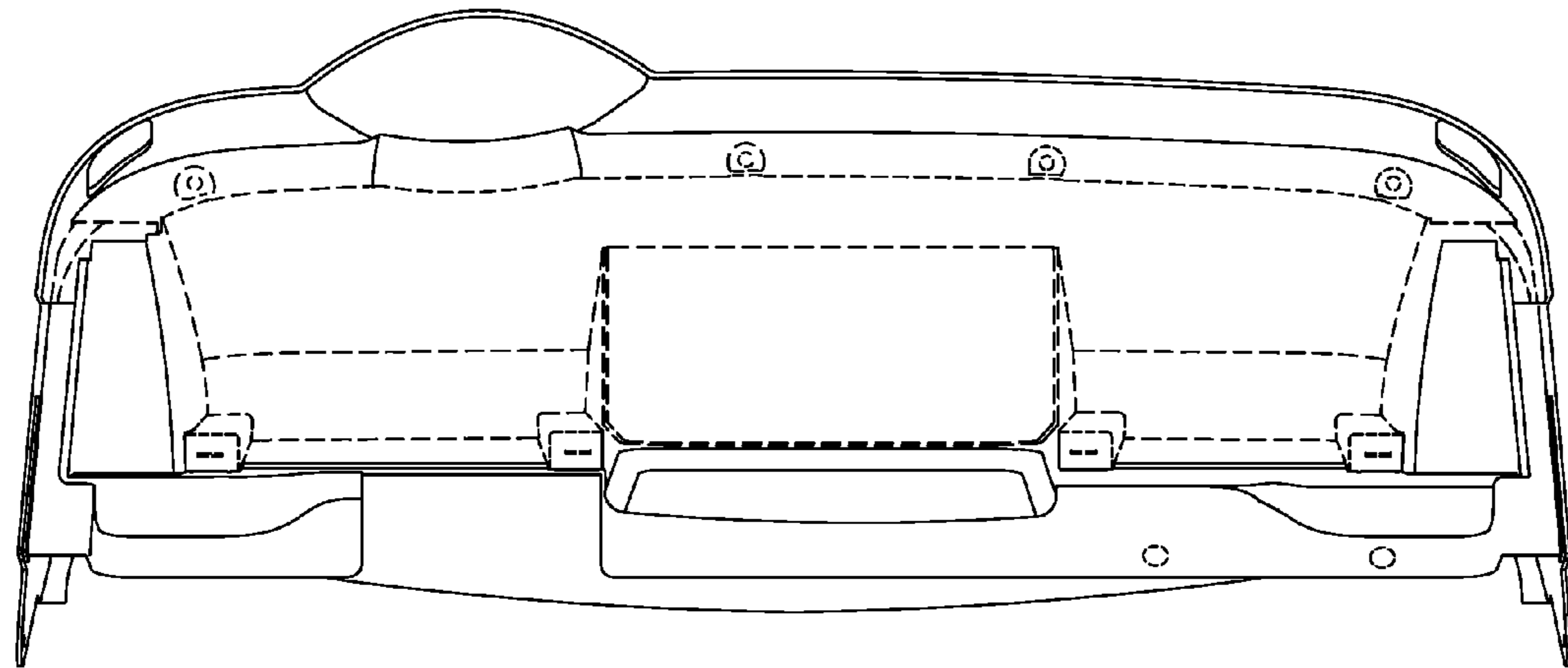


Fig-5

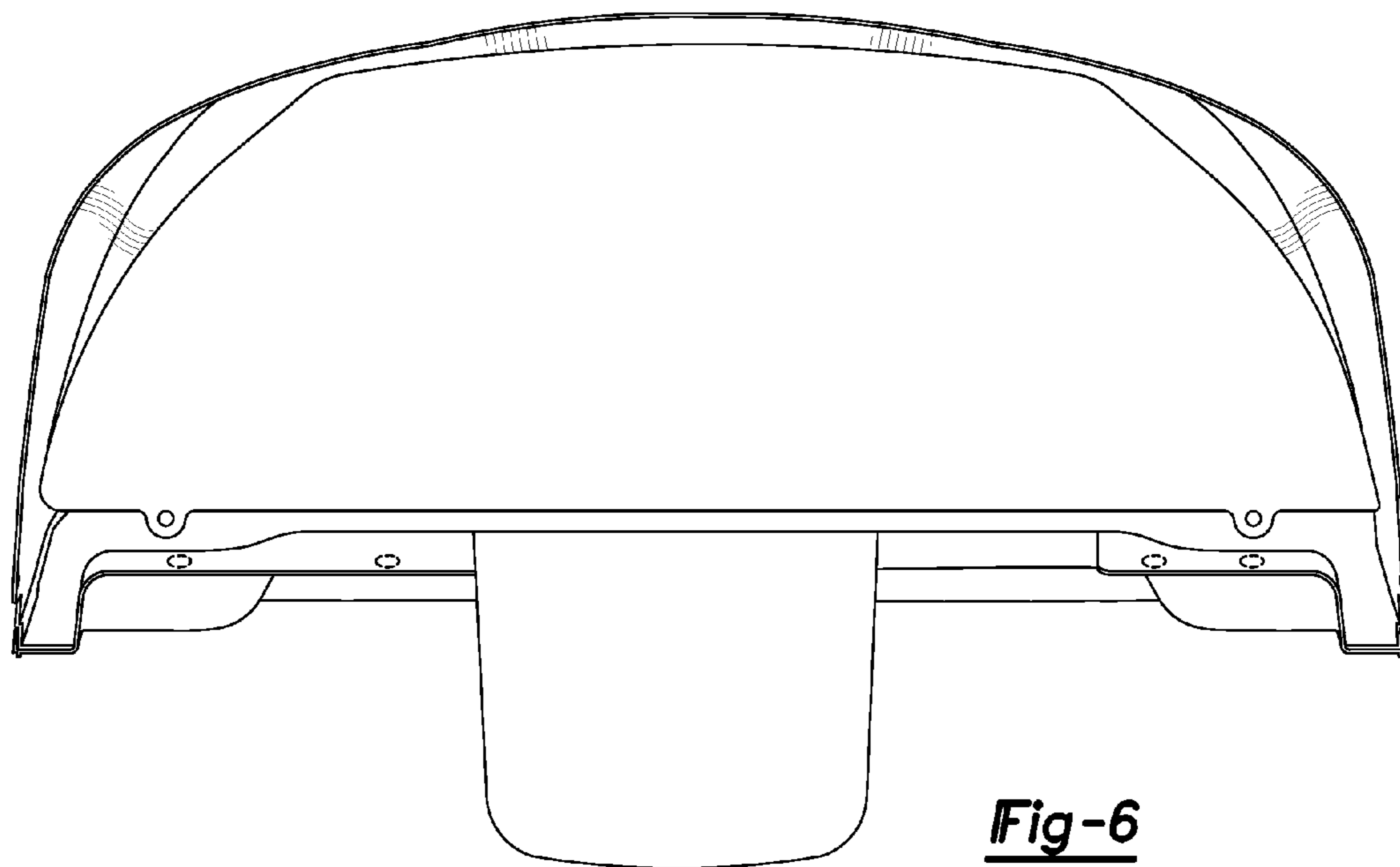


Fig-6