



US00D628516S

(12) **United States Design Patent**
Dowdy

(10) **Patent No.:** **US D628,516 S**

(45) **Date of Patent:** **** Dec. 7, 2010**

(54) **ZIPPER PULL**

(76) Inventor: **Robert R. Dowdy**, 1 Shinnecock Hills Ct., O'Fallon, MO (US) 63366

(**) Term: **14 Years**

(21) Appl. No.: **29/342,144**

(22) Filed: **Aug. 19, 2009**

(51) **LOC (9) Cl.** **02-07**

(52) **U.S. Cl.** **D11/221**

(58) **Field of Classification Search** D11/200,
D11/201, 221; 24/381–383, 385–387, 414–417,
24/421–422, 427–431, 433; 2/265
See application file for complete search history.

(56) **References Cited**

U.S. PATENT DOCUMENTS

2,869,507	A	1/1959	Boyer	
4,290,568	A	9/1981	Vollmoeller	
D263,029	S *	2/1982	MacFaden D11/79
D305,997	S *	2/1990	Harvey et al. D11/221
5,026,001	A	6/1991	Wright et al.	
D335,217	S	5/1993	Seitz	
5,649,679	A	7/1997	Perkins	
D435,720	S	1/2001	Perthou	
D483,295	S *	12/2003	Ritter D11/221
6,695,661	B1	2/2004	Navagh	
D490,113	S	5/2004	Nykoluk	
D514,022	S *	1/2006	Wehmeyer et al. D11/221

D578,429 S * 10/2008 Momjian D11/79
7,451,561 B2 11/2008 Weisbart
D581,824 S 12/2008 Catner

* cited by examiner

Primary Examiner—Ralf Seifert

(74) *Attorney, Agent, or Firm*—Grace J. Fishel

(57) **CLAIM**

The ornamental design for a zipper pull, as shown.

DESCRIPTION

FIG. 1 is a perspective view of a zipper pull showing my new design;

FIG. 2 is a front side elevational view thereof;

FIG. 3 a top view thereof;

FIG. 4 is a bottom end view thereof;

FIG. 5 is a top end view thereof;

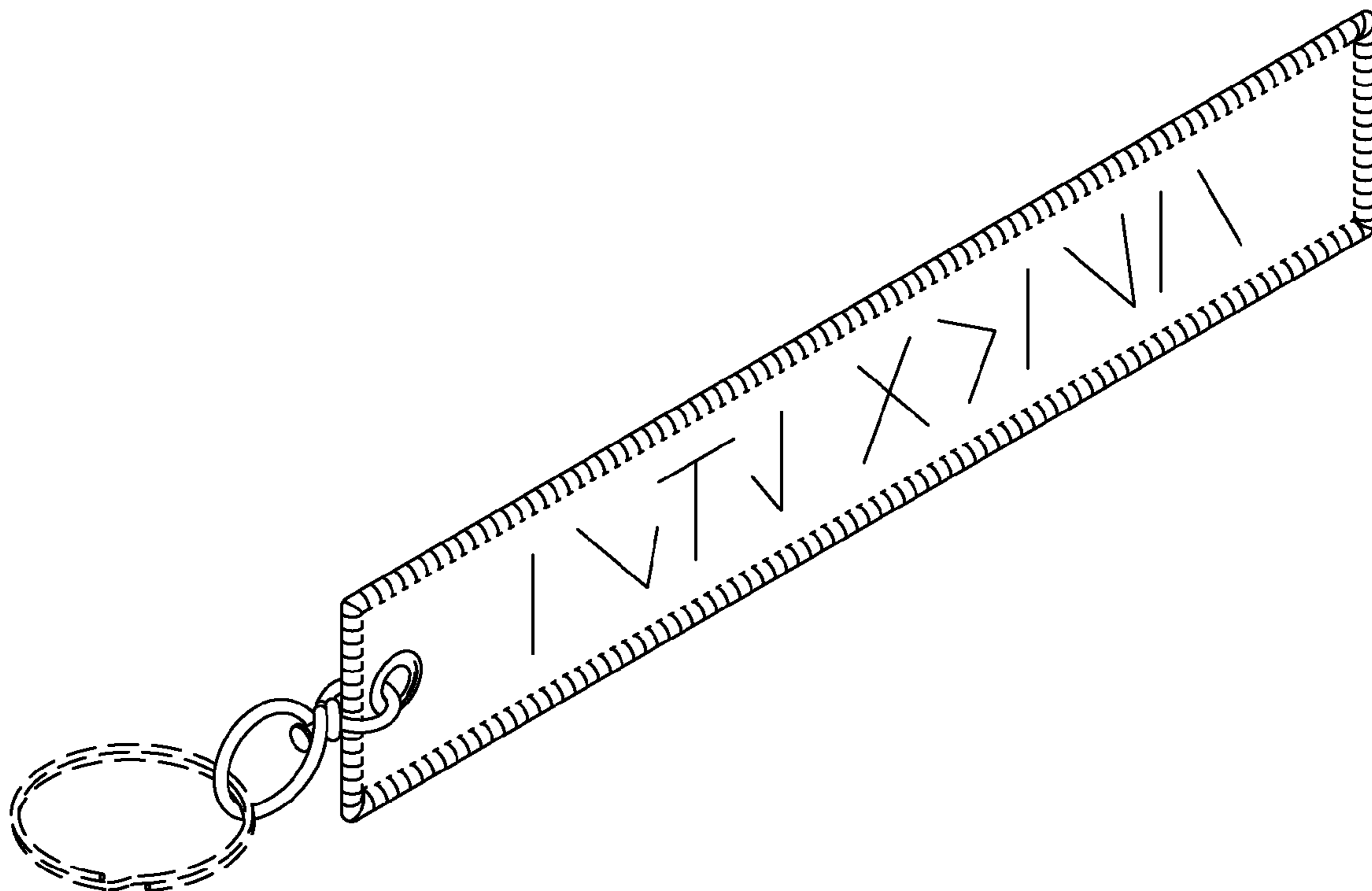
FIG. 6 is a bottom view thereof;

FIG. 7 is a rear side elevational view thereof; and,

FIG. 8 is a cross-section taken along the plane of 8—8 in FIG. 2 for better understanding of the appearance thereof.

The greeked text simulates actual text which reads the same top-to-bottom on both the front and rear side elevation of the zipper pull and the attachment ring shown in broken lines forms no part of the claimed design.

1 Claim, 2 Drawing Sheets



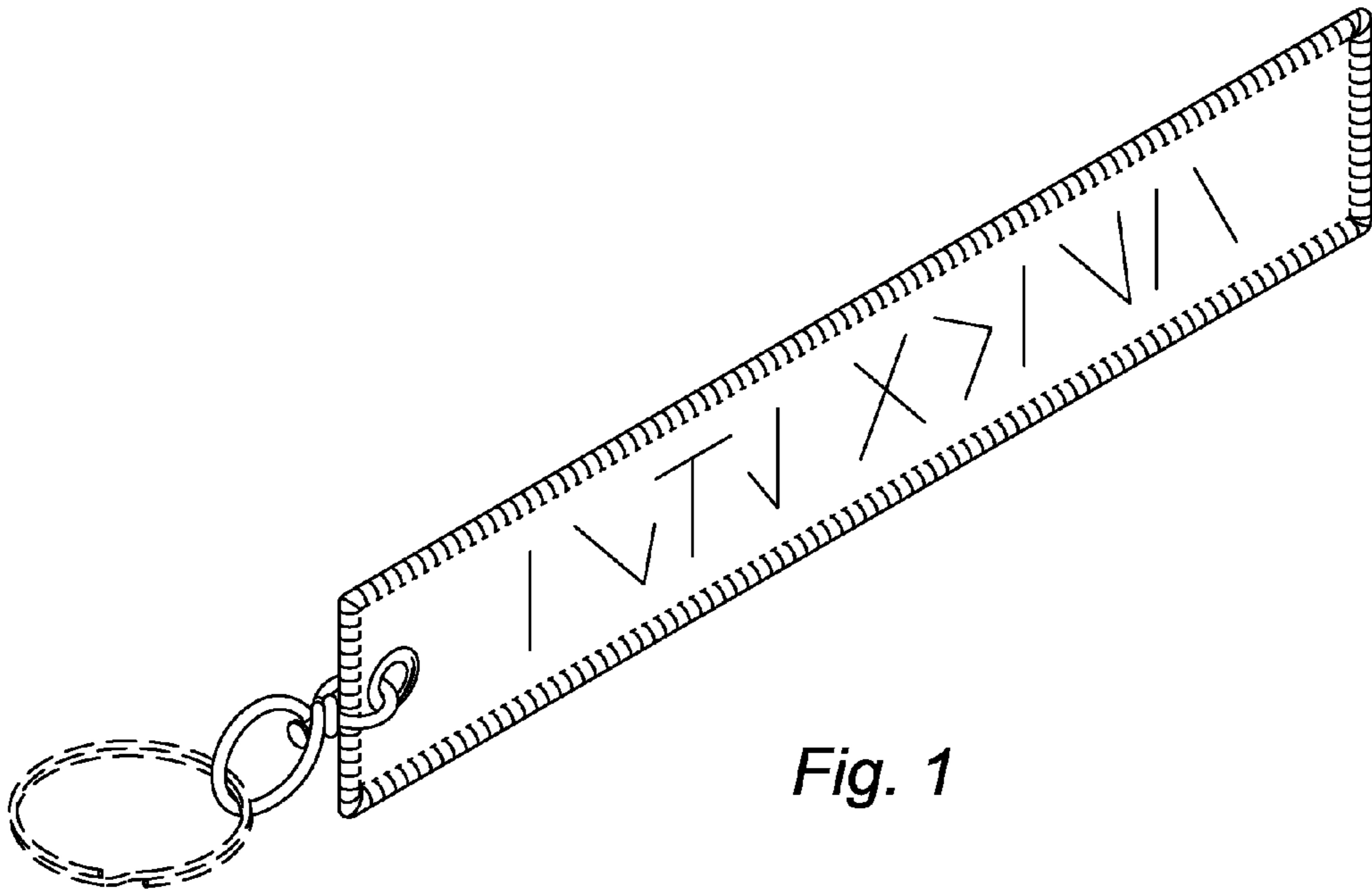


Fig. 1



Fig. 2

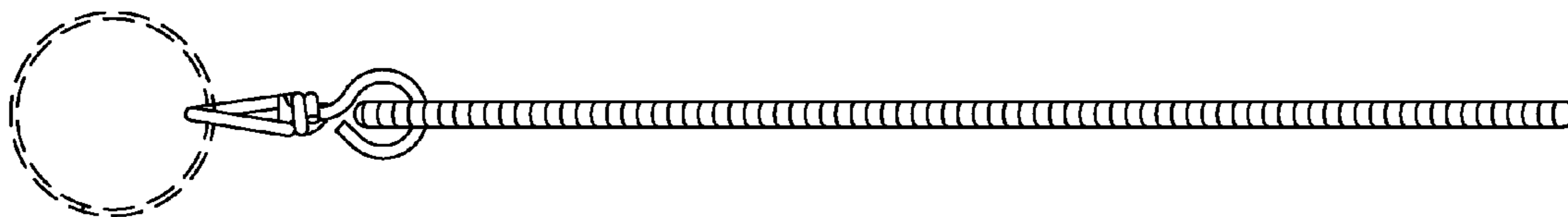


Fig. 3

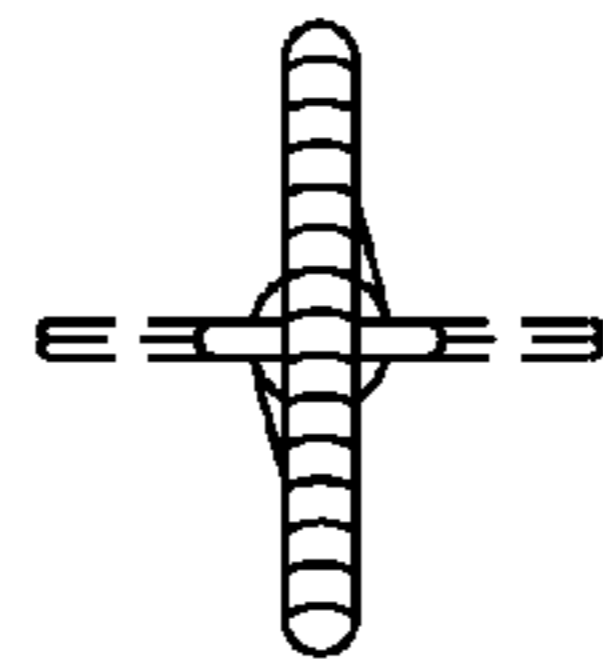


Fig. 4

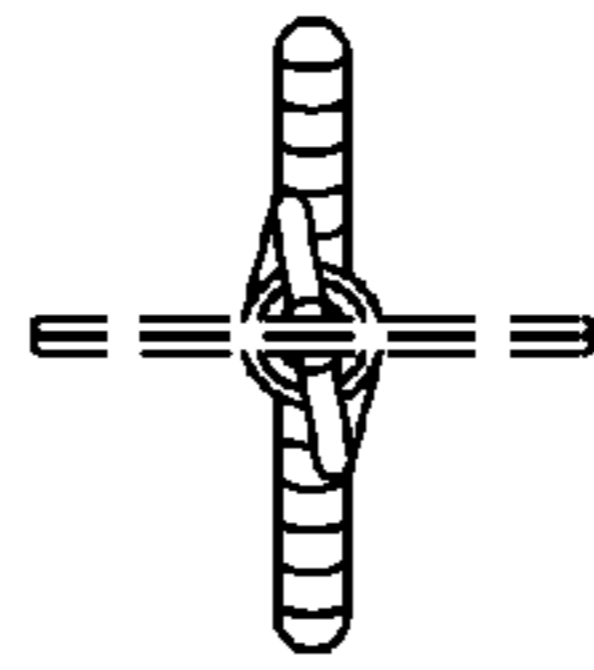


Fig. 5

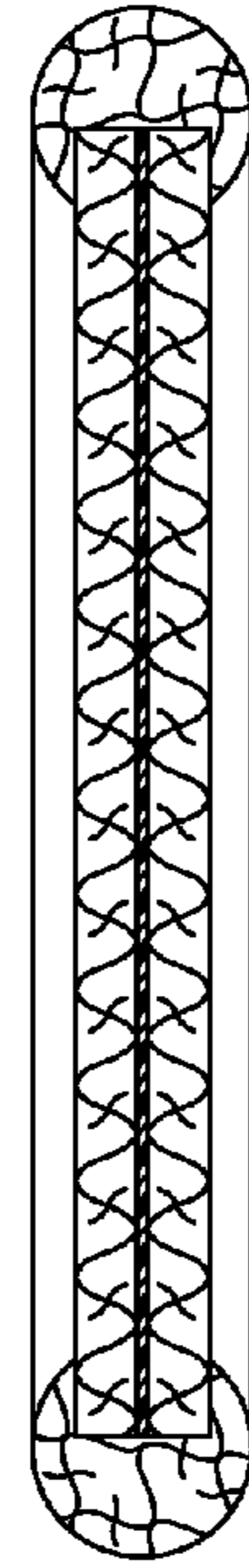


Fig. 8

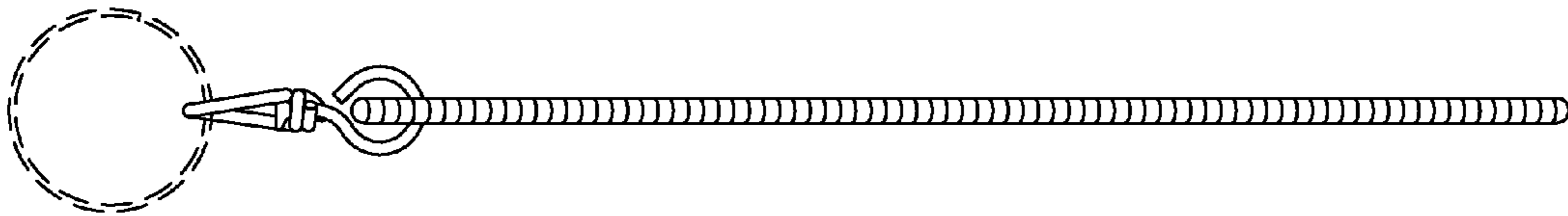


Fig. 6

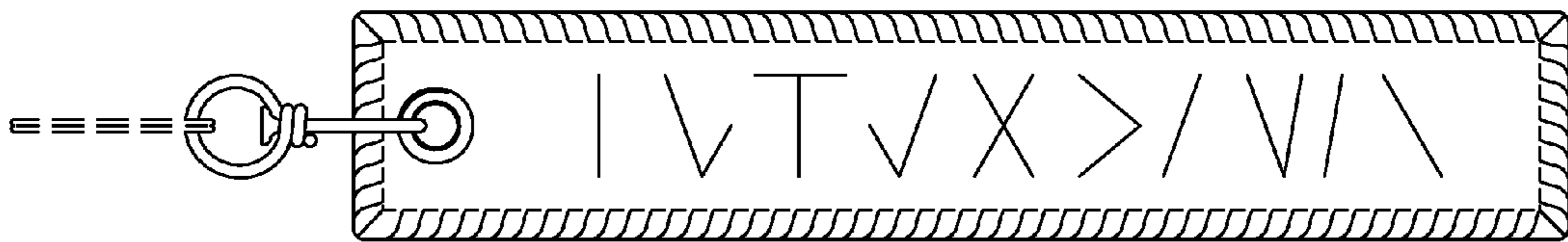


Fig. 7