



US00D628515S

(12) **United States Design Patent**
Schiebl

(10) **Patent No.:** **US D628,515 S**

(45) **Date of Patent:** **** Dec. 7, 2010**

(54) **INJECTION MOLDED SNAP**

(76) **Inventor:** **Paul Schiebl**, 10200 Hempstead Hwy.,
Suite 2J, Houston, TX (US) 77092

(**) **Term:** **14 Years**

(21) **Appl. No.:** **29/345,780**

(22) **Filed:** **Oct. 22, 2009**

(51) **LOC (9) Cl.** **02-07**

(52) **U.S. Cl.** **D11/218**

(58) **Field of Classification Search** D11/1-2,
D11/200-219; 24/163 R, 169-171, 173,
24/177-179, 191, 194-195, 197, 200, 324;
29/453

See application file for complete search history.

(56) **References Cited**

U.S. PATENT DOCUMENTS

1,889,322	A *	11/1932	Reiter	24/324
1,923,050	A *	8/1933	Carr	24/324
2,905,991	A *	9/1959	Reiter	24/324
D301,566	S *	6/1989	Heiberger	D11/218
D303,456	S *	9/1989	Selisky	D11/218
5,259,096	A *	11/1993	Grant	24/324

D352,255	S *	11/1994	Prosser	D11/218
D486,093	S *	2/2004	Tobergte	D11/218
D608,688	S *	1/2010	Dalzell et al.	D11/218
D620,837	S *	8/2010	Schiebl	D11/218

* cited by examiner

Primary Examiner—Ralf Seifert

(74) *Attorney, Agent, or Firm*—Egbert Law Offices PLLC

(57) **CLAIM**

The ornamental design for a injection molded snap, as shown and described.

DESCRIPTION

FIG. 1 is an upper perspective view of the injection molded snap showing my design.

FIG. 2 is a top plan view thereof;

FIG. 3 is a bottom plan view thereof;

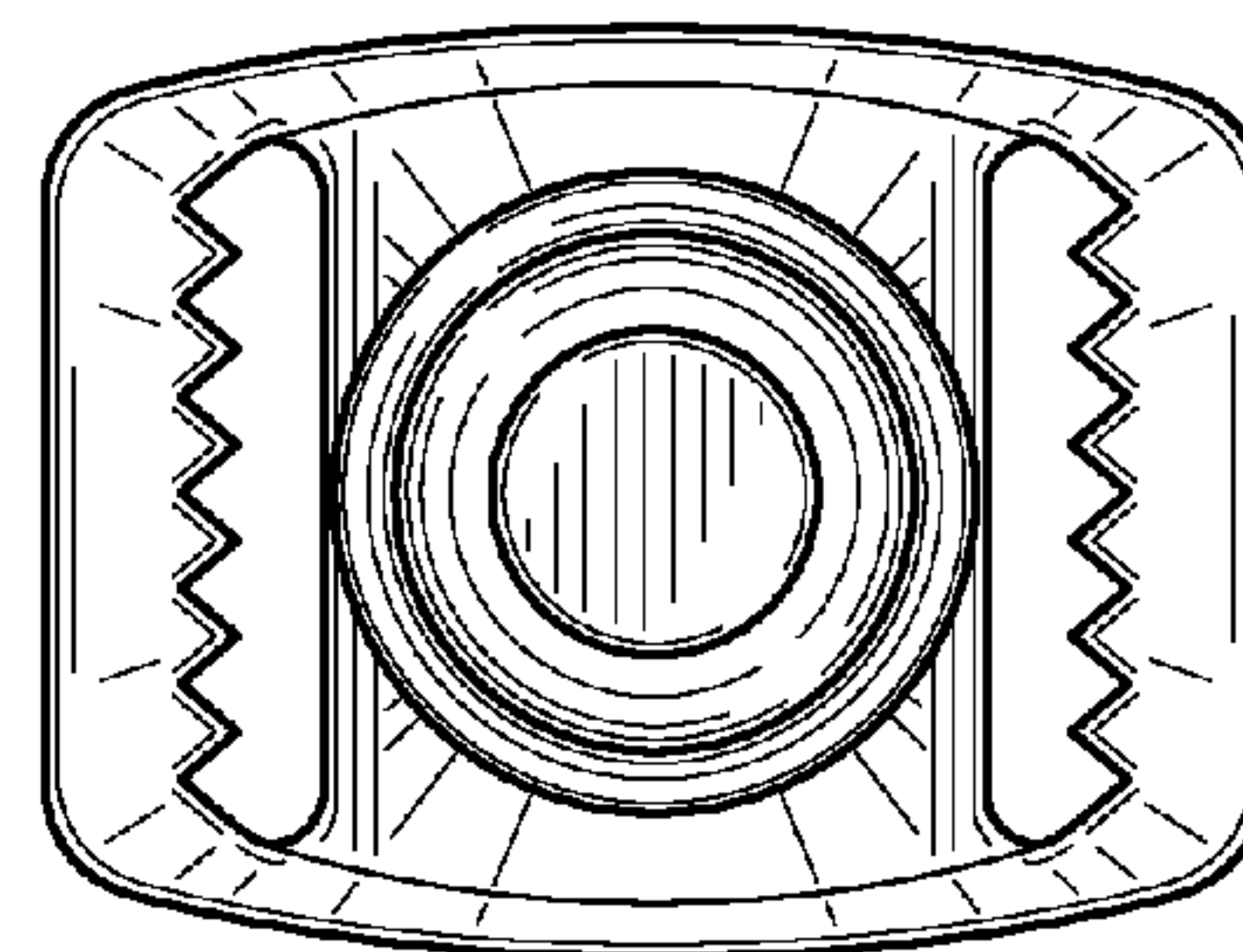
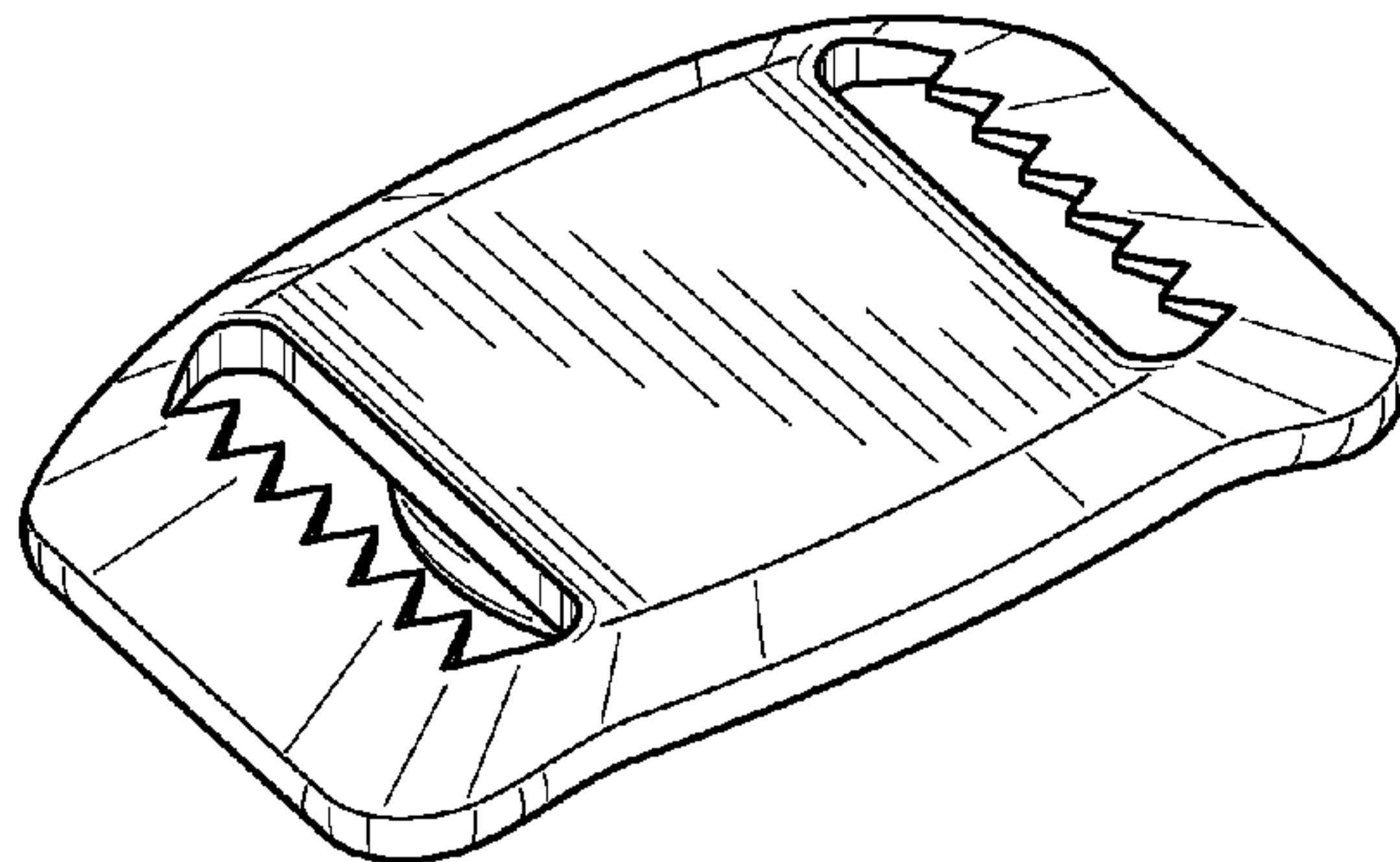
FIG. 4 is a side elevation view thereof;

FIG. 5 is an opposite side view thereof;

FIG. 6 is an end elevation view thereof; and,

FIG. 7 is an opposite end elevation view thereof.

1 Claim, 1 Drawing Sheet



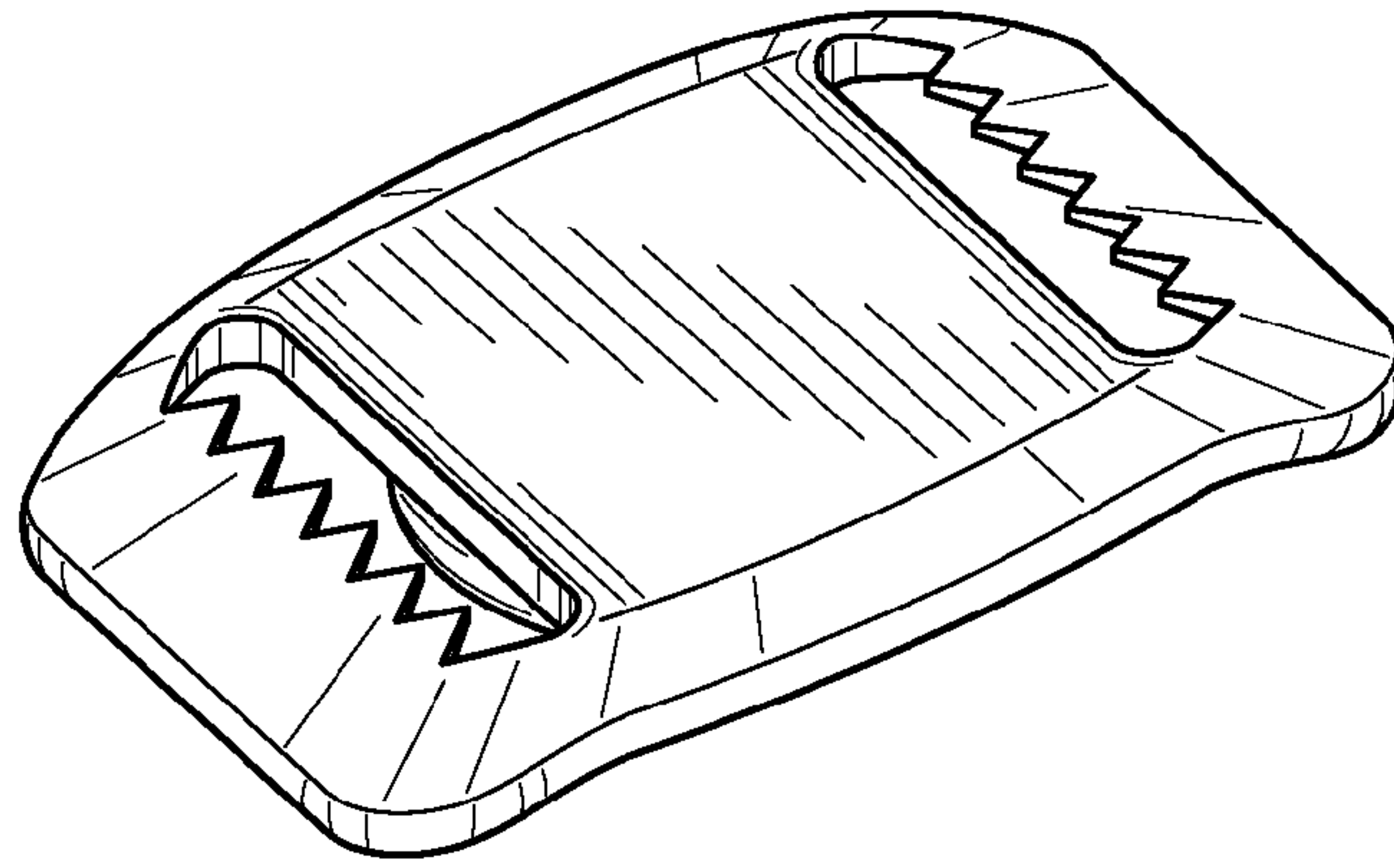


FIG. 1

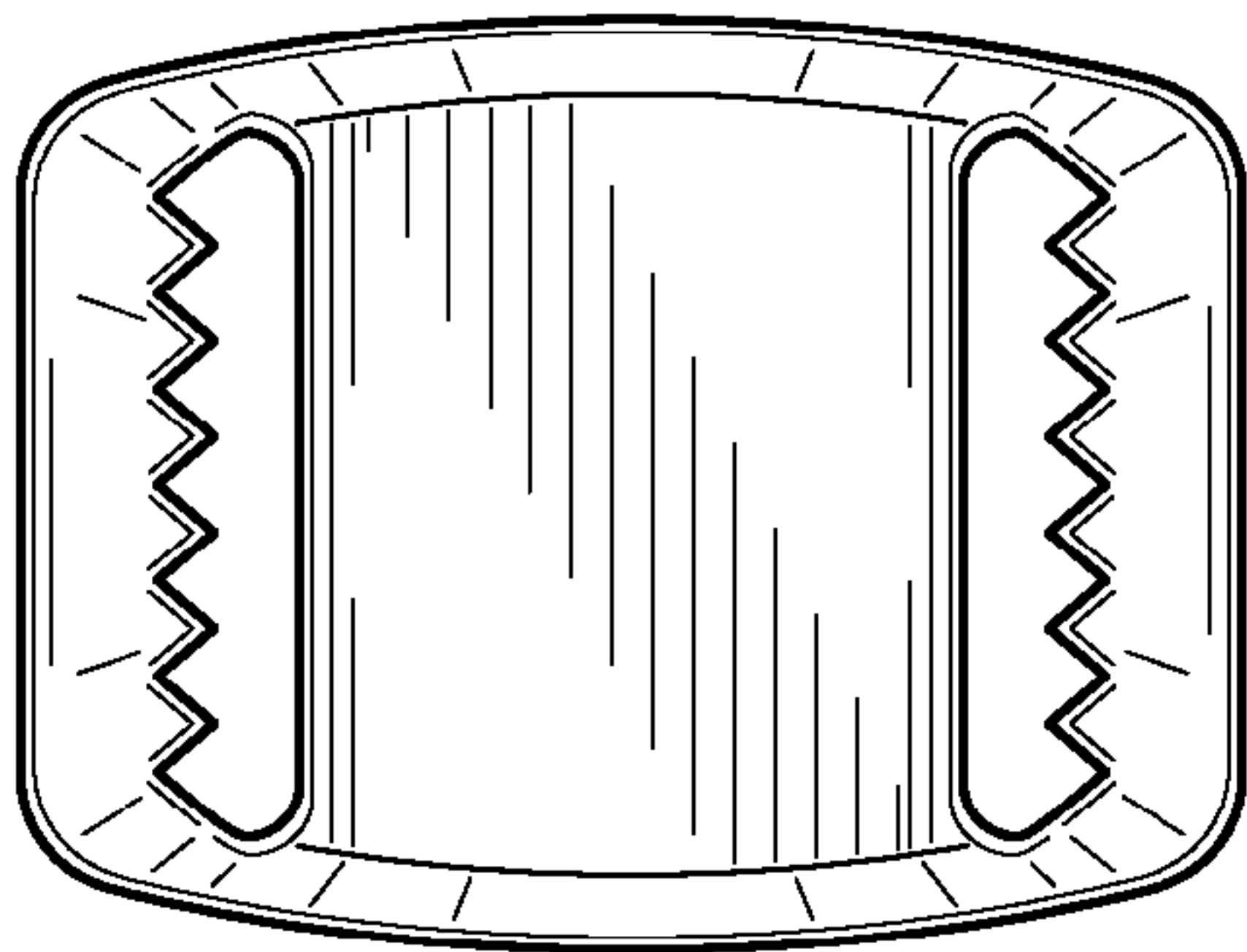


FIG. 2

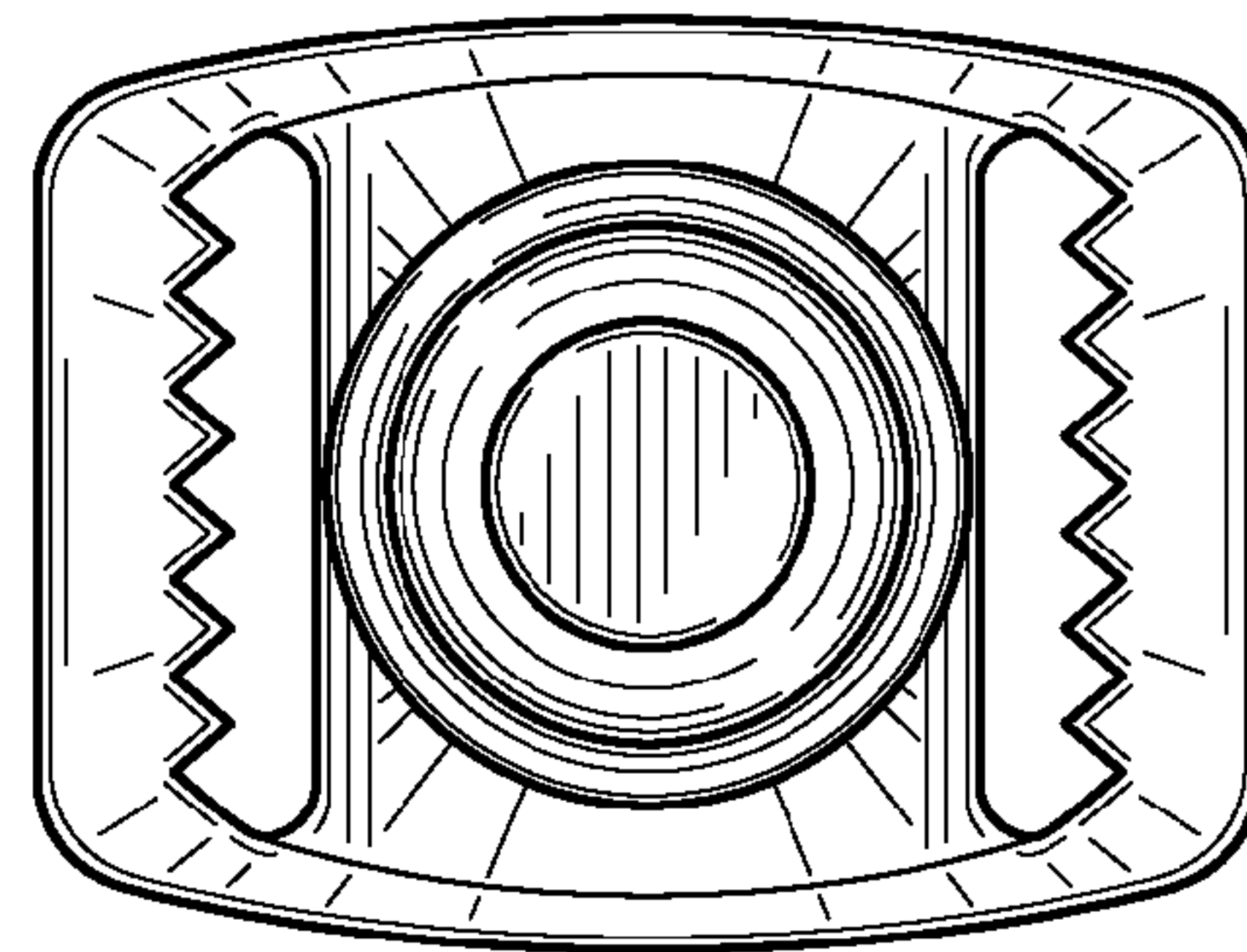


FIG. 3

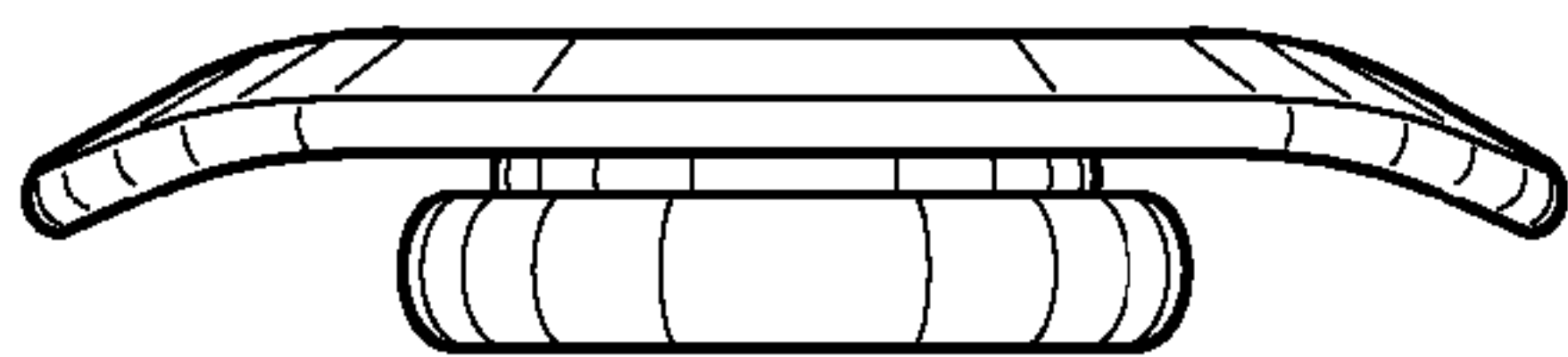


FIG. 4

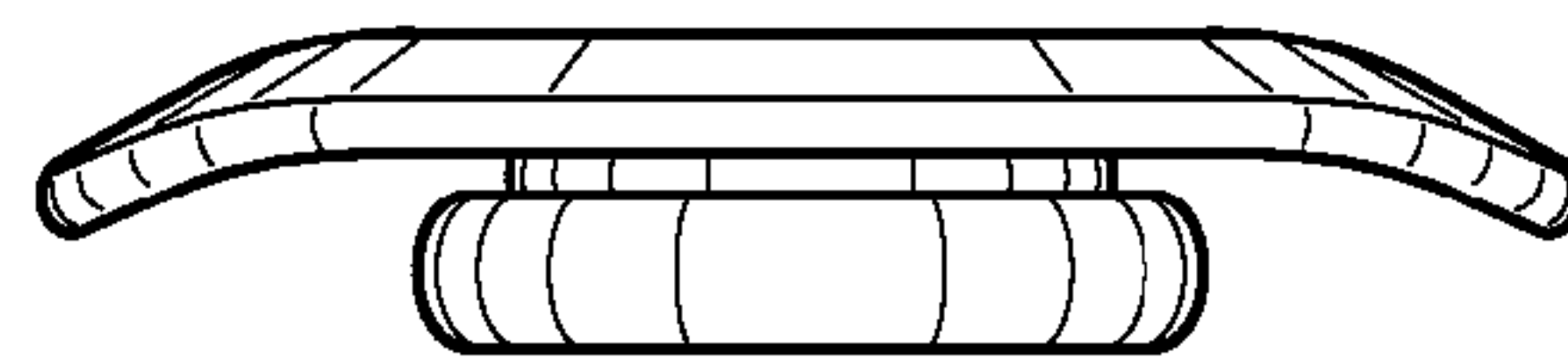


FIG. 5

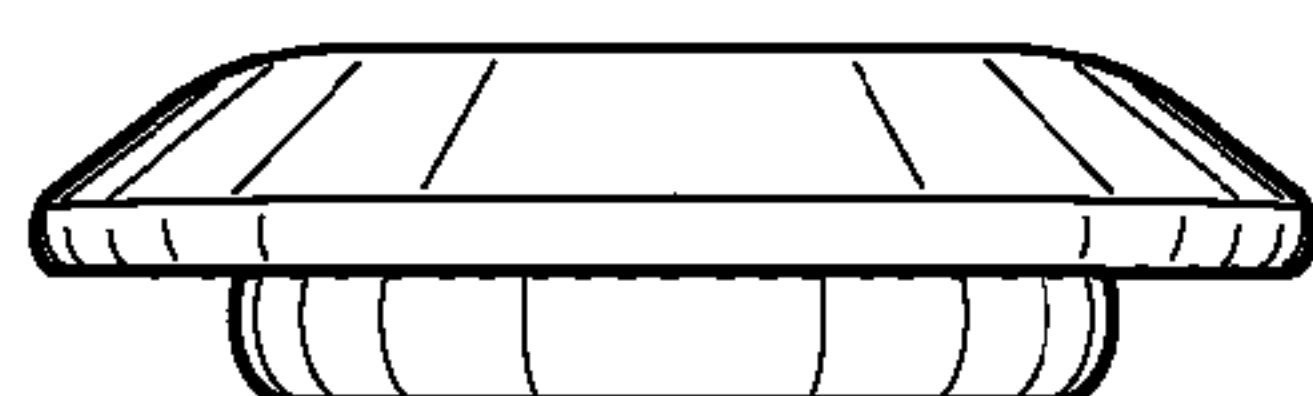


FIG. 6

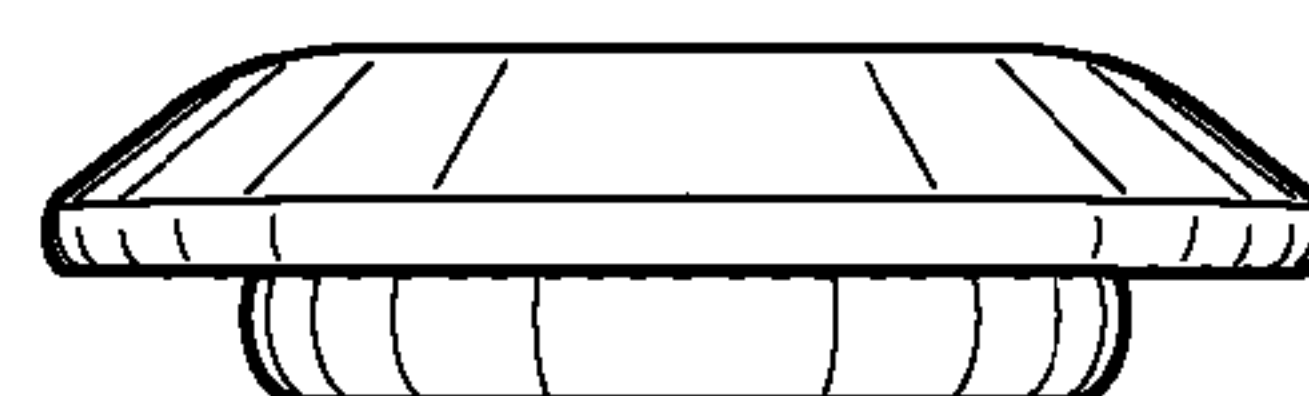


FIG. 7