



US00D628514S

(12) **United States Design Patent**  
**Paik**

(10) **Patent No.:** **US D628,514 S**

(45) **Date of Patent:** **\*\* Dec. 7, 2010**

(54) **CAM BUCKLE**

(76) Inventor: **Jisook Paik**, 108-403 LG Zai Apartment,  
Icheon-dong, Yongsan-gu, Seoul (KR)  
140-774

(\*\*) Term: **14 Years**

(21) Appl. No.: **29/355,547**

(22) Filed: **Feb. 9, 2010**

(51) **LOC (9) Cl.** ..... **02-07**

(52) **U.S. Cl.** ..... **D11/216**

(58) **Field of Classification Search** ..... D11/1-2,  
D11/200-201, 203-206, 210, 212, 214-219,  
D11/222, 224, 226; 24/163 R, 169-171,  
24/173, 177-179, 191, 194-195, 197, 200,  
24/698.2, 701, 702, 706.2

See application file for complete search history.

(56) **References Cited**

**U.S. PATENT DOCUMENTS**

D198,566 S \* 7/1964 Holmberg ..... D11/216  
D521,410 S \* 5/2006 Nottingham et al. .... D11/216  
D592,542 S \* 5/2009 Pontaoe ..... D11/216

\* cited by examiner

*Primary Examiner*—Ralf Seifert

(74) *Attorney, Agent, or Firm*—Jae Y. Park; Kile Park  
Goekjian Reed & McManus

(57) **CLAIM**

I claim, the ornamental design for a cam buckle, as shown and described.

**DESCRIPTION**

FIG. 1 is a perspective view of a cam buckle, showing my new design;

FIG. 2 is a front elevation view thereof;

FIG. 3 is a rear elevation view thereof;

FIG. 4 is a left side elevation view thereof;

FIG. 5 is a right side elevation view thereof;

FIG. 6 is a top plan view thereof;

FIG. 7 is a bottom plan view thereof;

FIG. 8 is a cross-sectional view taken along the line 8—8 in FIG. 2; and,

FIG. 9 is another reference perspective view thereof in an alternate position.

**1 Claim, 4 Drawing Sheets**

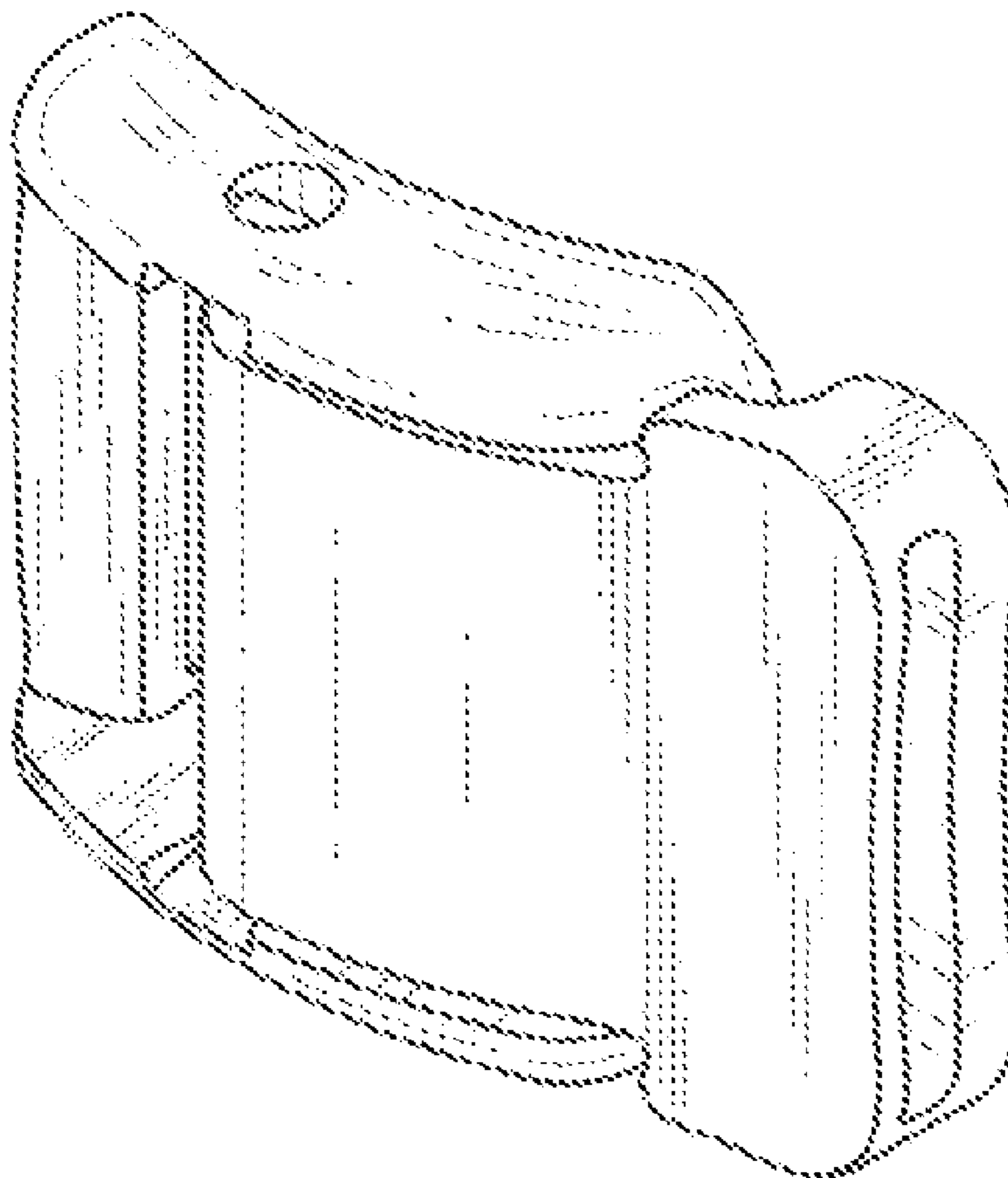


Fig. 1

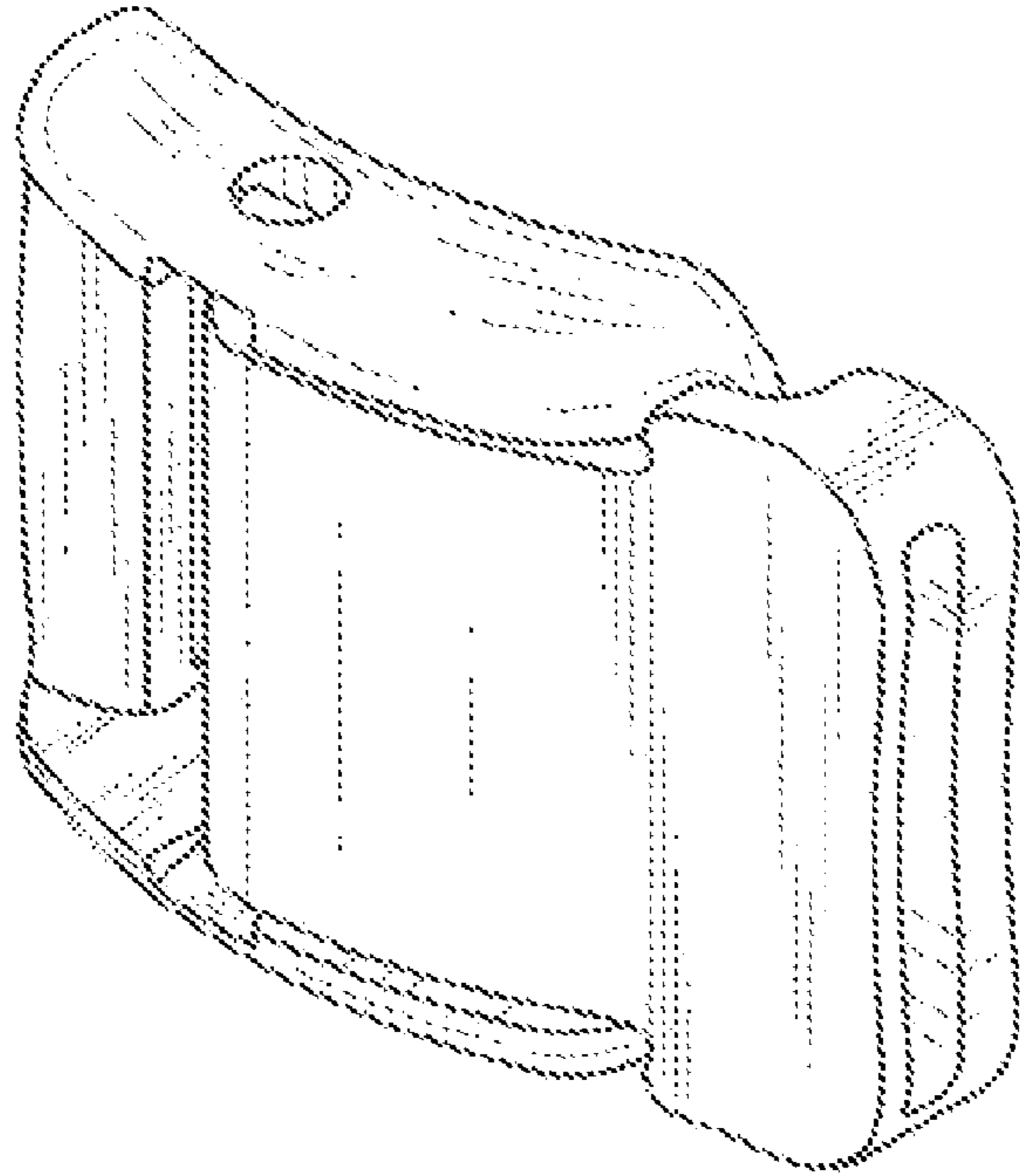


Fig. 2

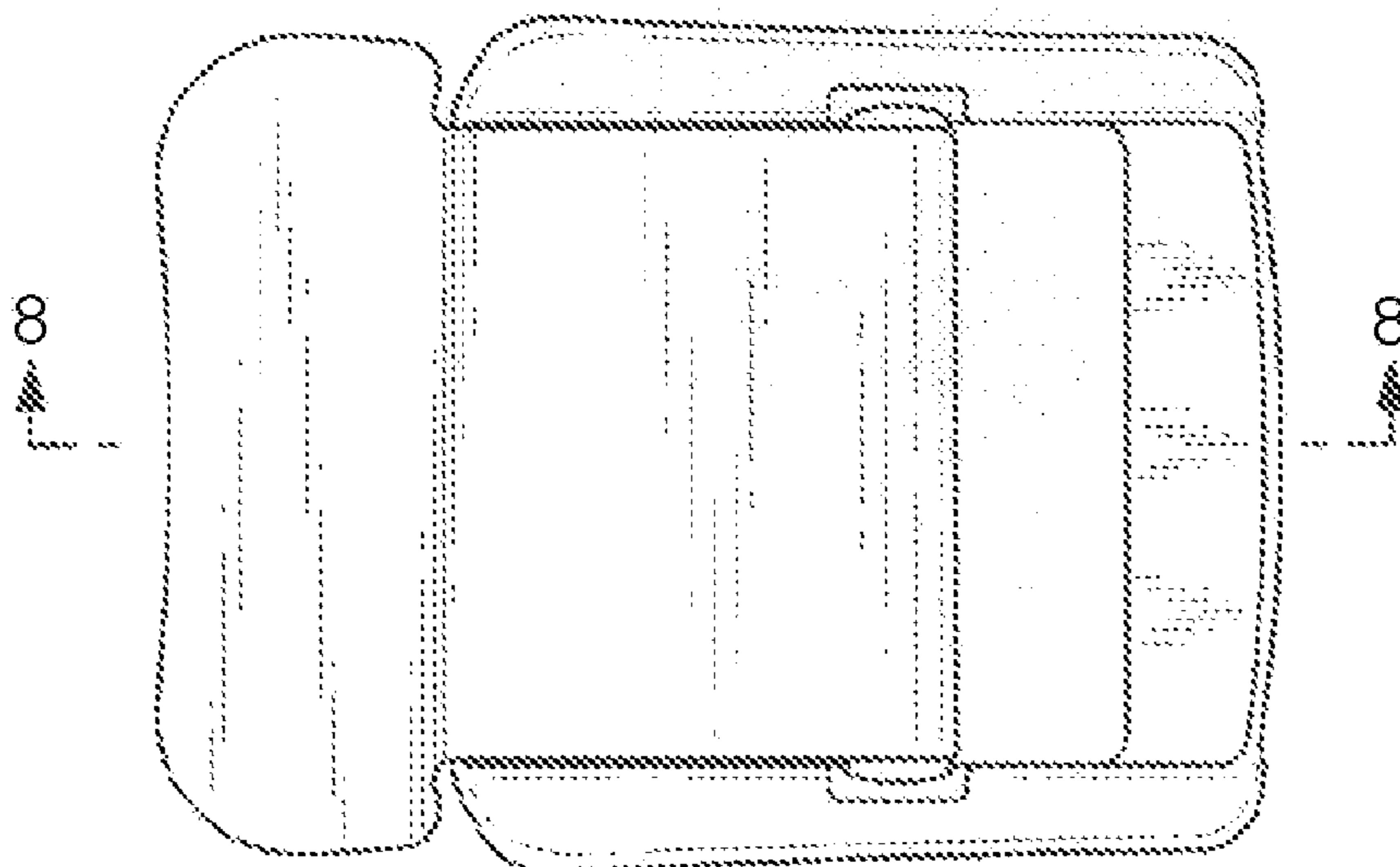


Fig. 3

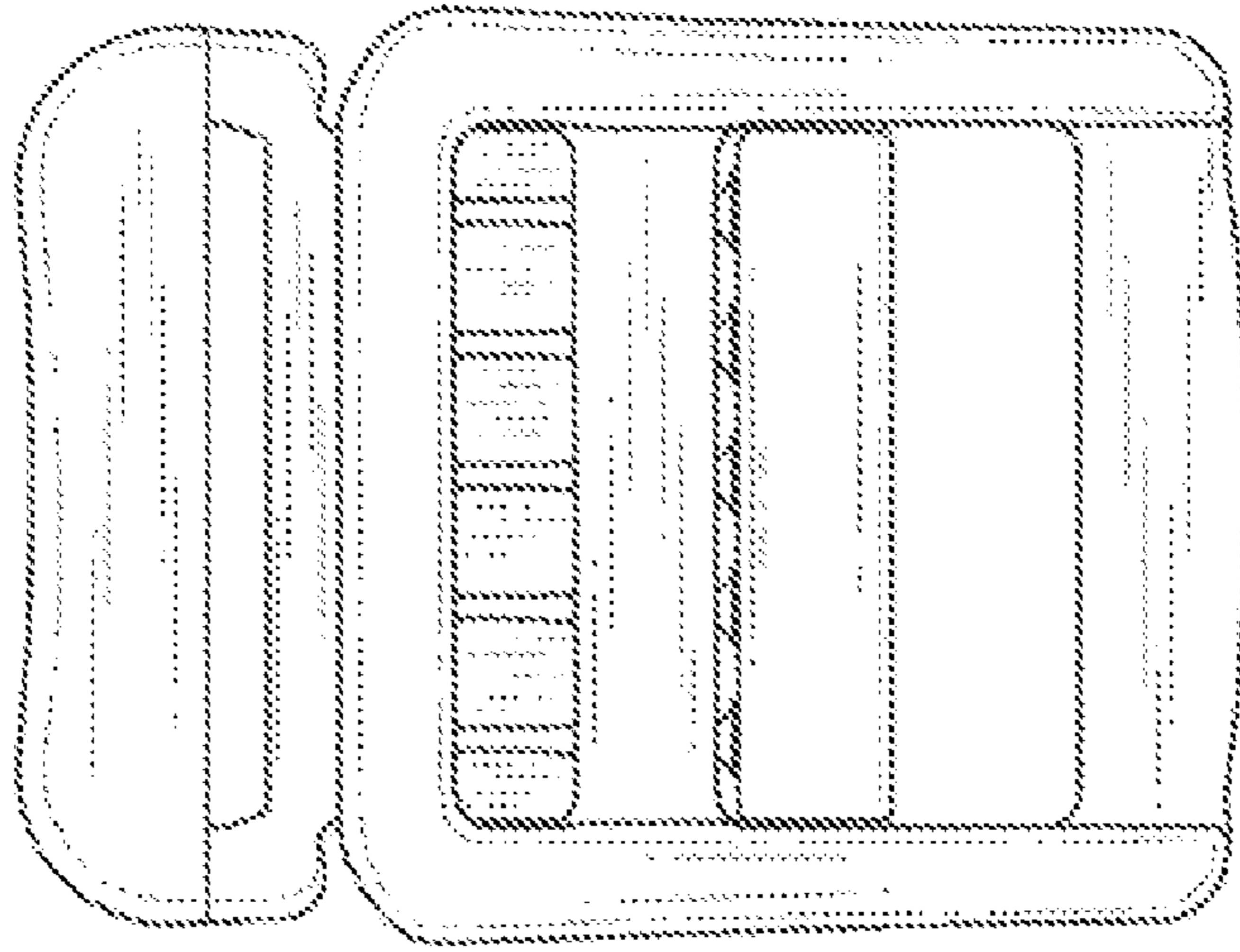


Fig. 4

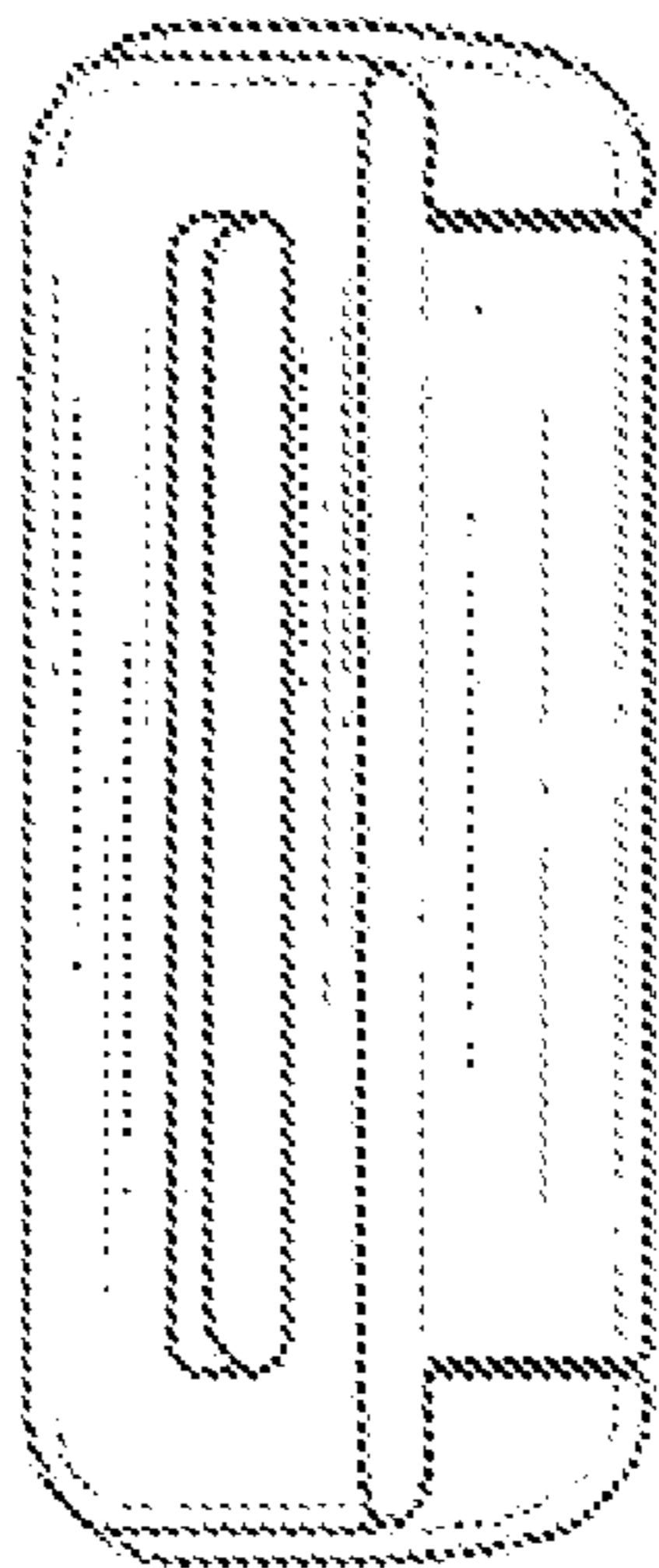


Fig. 5

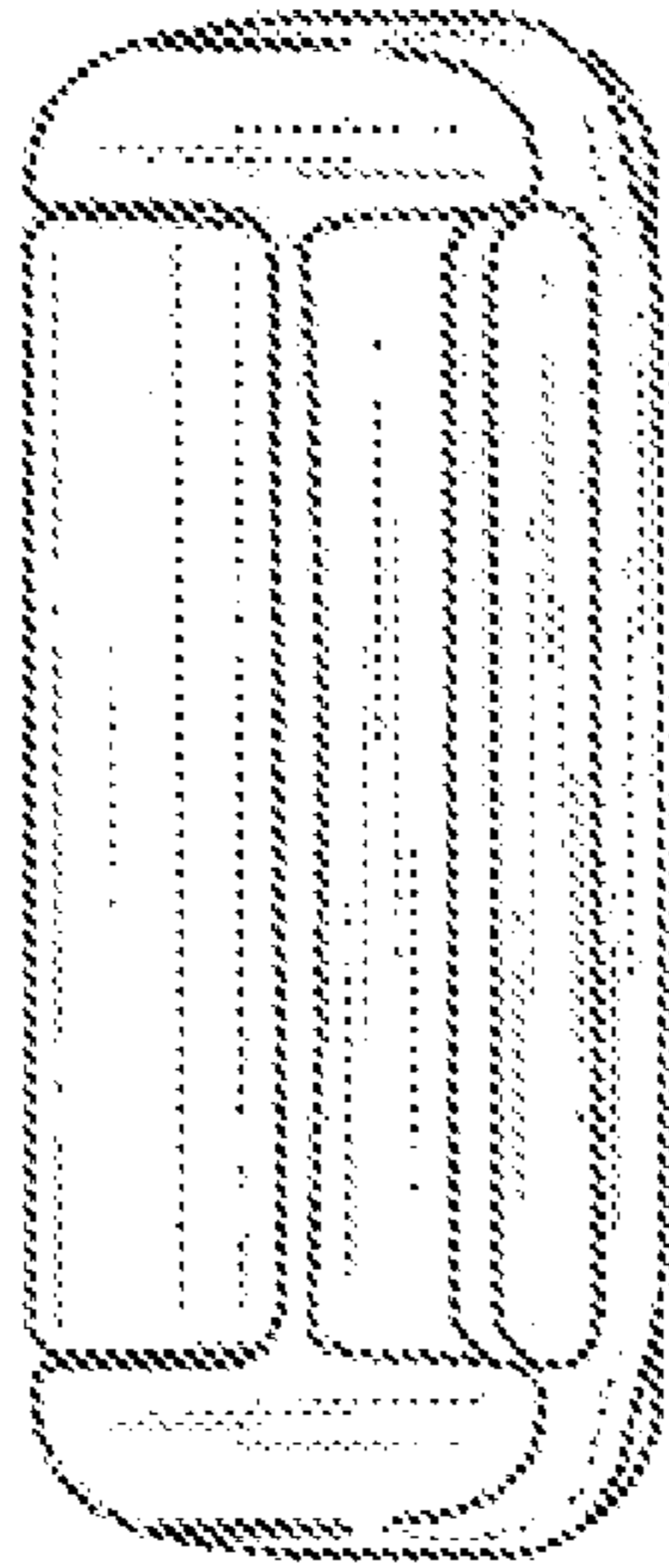


Fig. 6

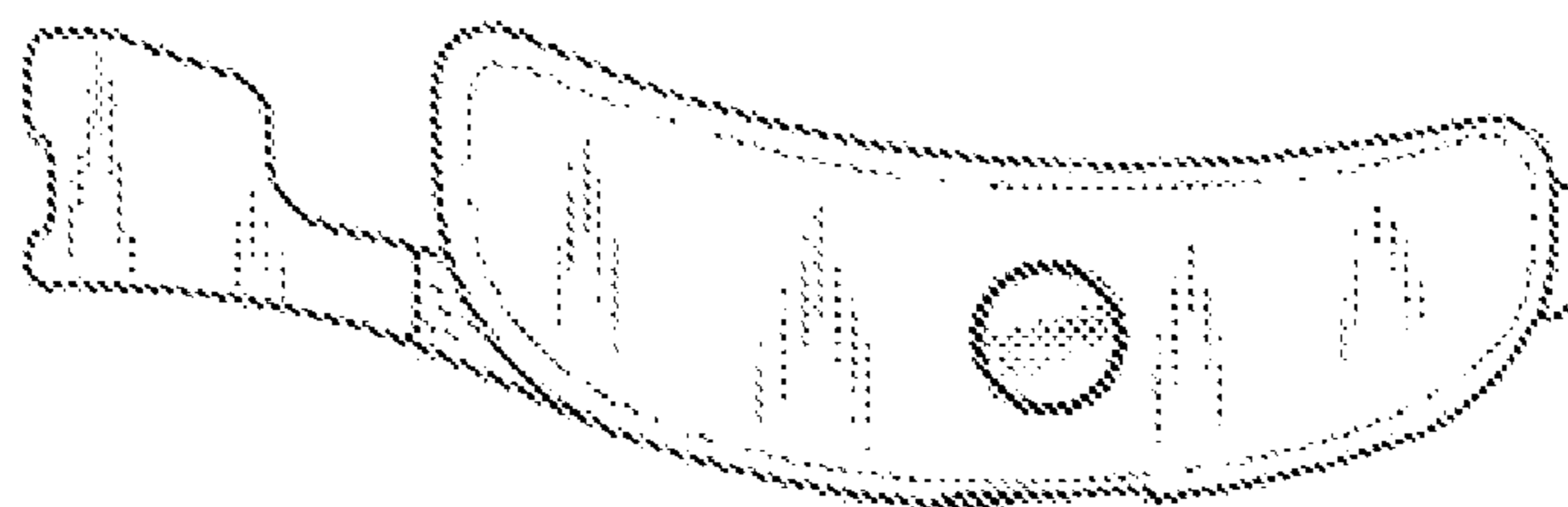


Fig. 7

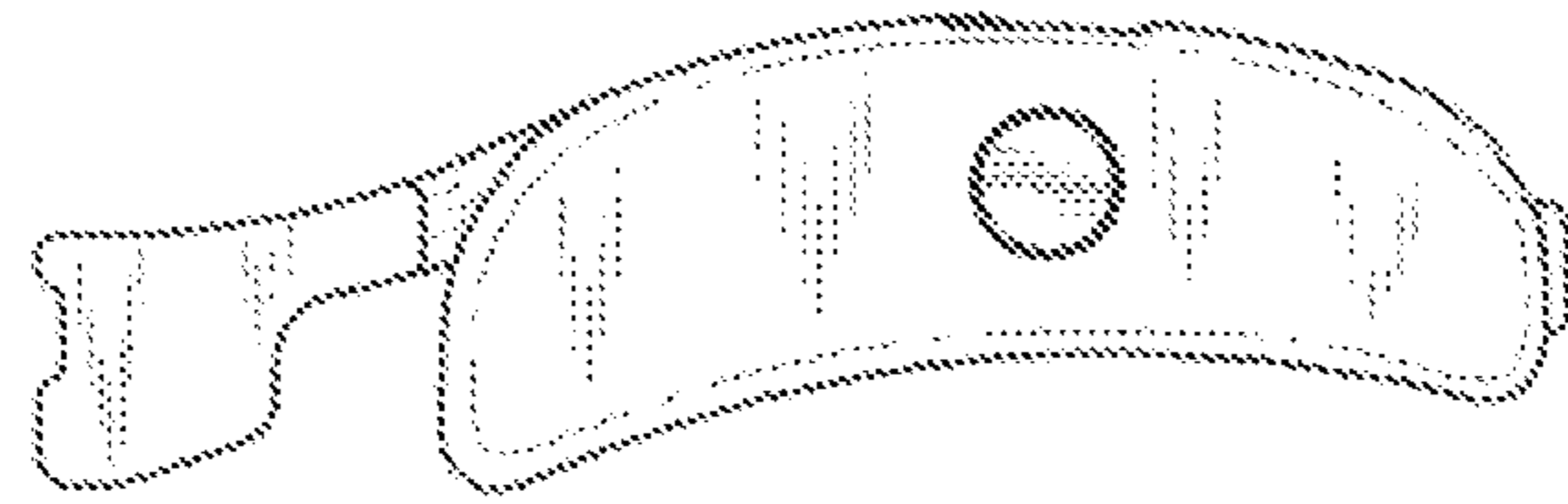


Fig. 8

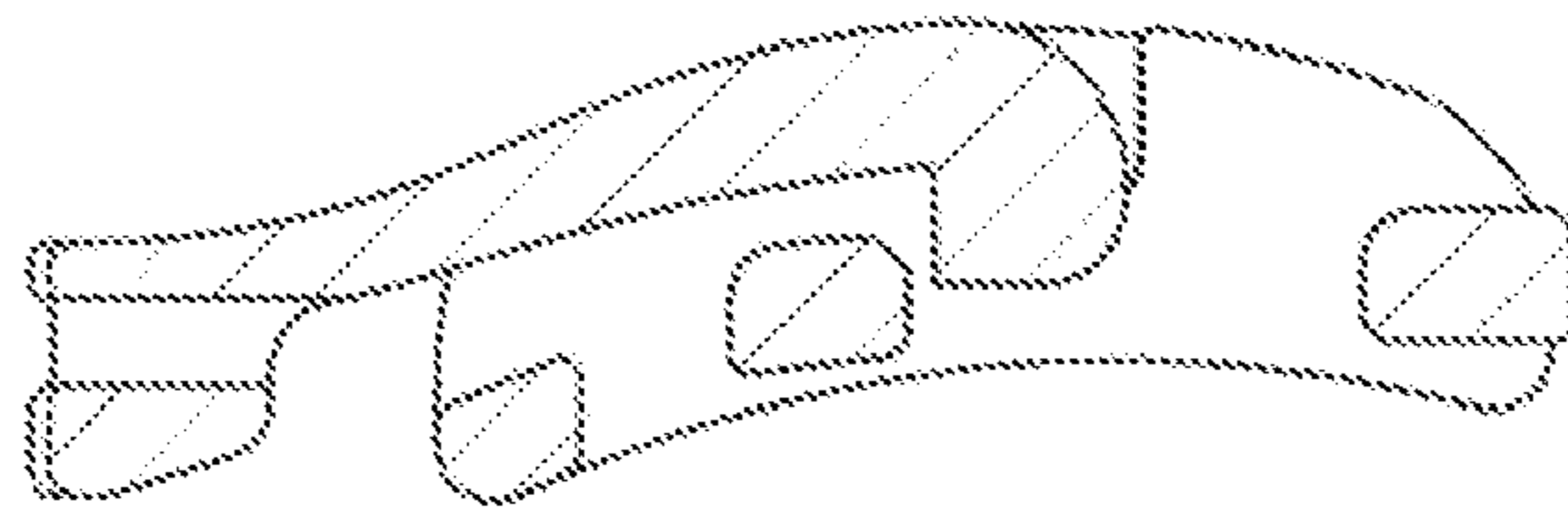


Fig. 9

