

US00D628511S

(12) **United States Design Patent**
Wolfgang

(10) **Patent No.:** **US D628,511 S**
(45) **Date of Patent:** **** Dec. 7, 2010**

(54) **WATCH STRAP CLASP**

(75) Inventor: **Sima Wolfgang**, Keutschach (AT)

(73) Assignee: **Hirsch Armbander GmbH**, Klagenfurt (AT)

(**) Term: **14 Years**

(21) Appl. No.: **29/343,066**

(22) Filed: **Sep. 4, 2009**

Related U.S. Application Data

(62) Division of application No. 29/261,480, filed on Jun. 15, 2006, now Pat. No. Des. 611,383.

(30) **Foreign Application Priority Data**

Dec. 15, 2005	(EM)	1000452198-0001
Dec. 15, 2005	(EM)	1000452198-0002
Dec. 15, 2005	(EM)	1000452198-0003
Dec. 15, 2005	(EM)	1000452198-0004
Dec. 15, 2005	(EM)	1000507371-0001
Dec. 15, 2005	(EM)	1000507371-0002
Dec. 15, 2005	(EM)	1000507371-0003
Dec. 15, 2005	(EM)	1000507371-0004

(51) **LOC (9) Cl.** **11-01**

(52) **U.S. Cl.** **D11/94**

(58) **Field of Classification Search** D11/89-94,
D11/1, 2, 3, 6-12, 16, 24-28, 34-43, 79,
D11/70, 222, 47, 75; 63/1.11-14.1, 13, 15-15.4,
63/20, 22, 23, 26-33; D10/30, 32; 368/281,
368/282

See application file for complete search history.

(56) **References Cited**

U.S. PATENT DOCUMENTS

D319,192 S	8/1991	Beitz
D320,356 S	10/1991	Boyer et al.
D330,166 S	10/1992	Park
D344,468 S	2/1994	Kaneko
D352,007 S	11/1994	Boucheron

D352,468 S	11/1994	Kaneko	
D378,807 S *	4/1997	Houlihan	D11/3
D390,477 S	2/1998	Brzezinski	
D399,760 S	10/1998	Riley	
D402,565 S	12/1998	Sato et al.	
5,980,060 A *	11/1999	Chien	368/282
D419,892 S	2/2000	Bulgari	
D423,949 S	5/2000	Stoll	
D449,998 S	11/2001	Butler	
D451,406 S	12/2001	Giardiello	
D459,238 S	6/2002	Wunderman	
D473,470 S	4/2003	Nussbaum	
D473,471 S	4/2003	Rufenacht	
D492,208 S	6/2004	Dias	
6,874,931 B2 *	4/2005	Noirjean et al.	368/282
D577,610 S	9/2008	Emch Ducommun	
7,441,946 B2 *	10/2008	Bonadei	368/282
D586,674 S	2/2009	Solarewicz	
D594,350 S *	6/2009	Arpa	D10/32
D599,681 S *	9/2009	Chen	D10/32
D602,386 S *	10/2009	Ueda et al.	D10/32
D610,472 S *	2/2010	Nashimoto	D10/32

* cited by examiner

Primary Examiner—David G Muller
(74) *Attorney, Agent, or Firm*—Dickstein Shapiro LLP

(57) **CLAIM**

The ornamental design for a watch strap clasp, as shown and described.

DESCRIPTION

FIG. 1 is a top plan view of an embodiment of the watch strap clasp of the present invention;
FIG. 2 is a rear elevation view thereof;
FIG. 3 is a front elevation view thereof;
FIG. 4 is a side elevation view thereof;
FIG. 5 is an opposite side elevation view thereof;
FIG. 6 is a bottom plan view thereof; and,
FIG. 7 is a top perspective view thereof.

1 Claim, 7 Drawing Sheets

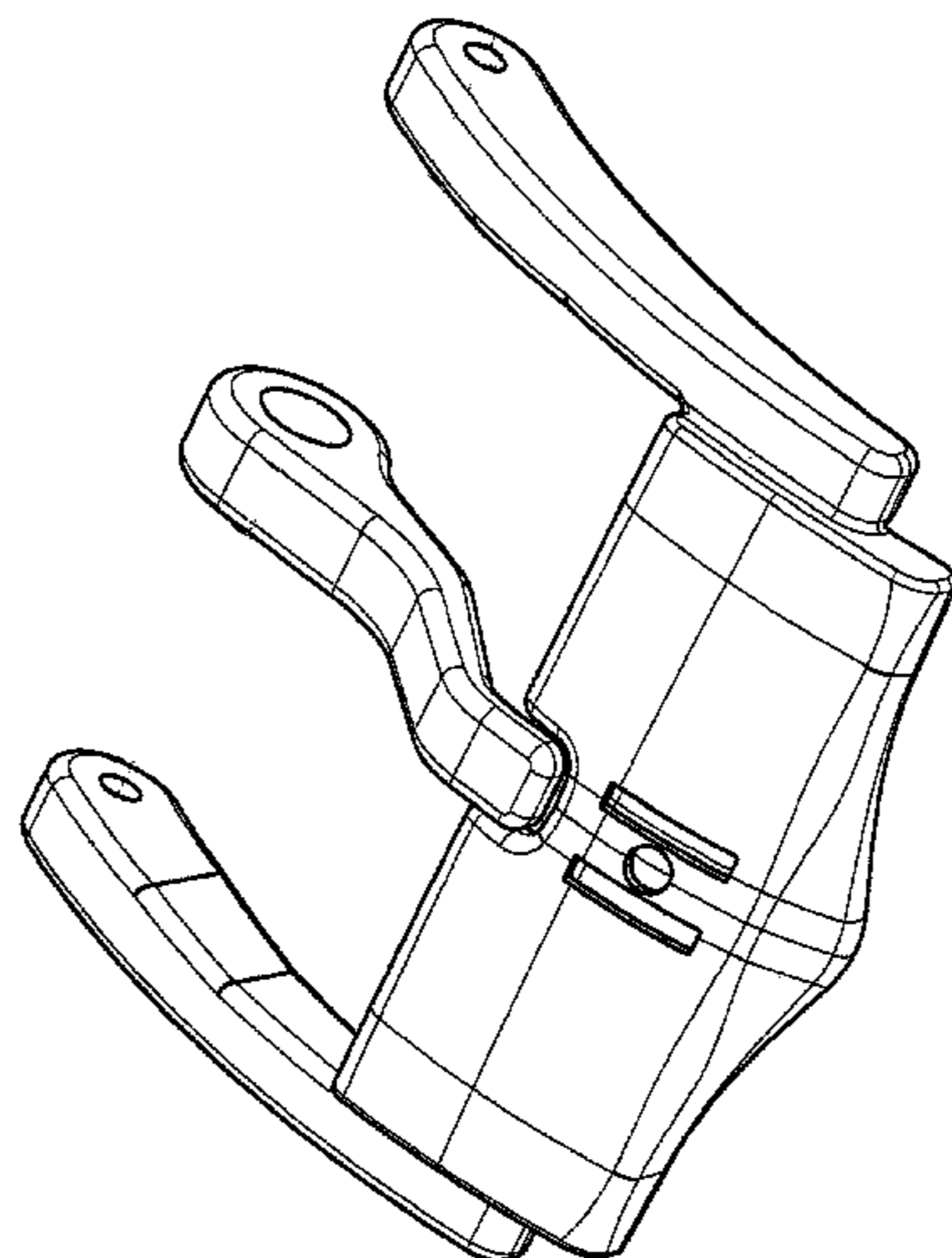


FIG. 1

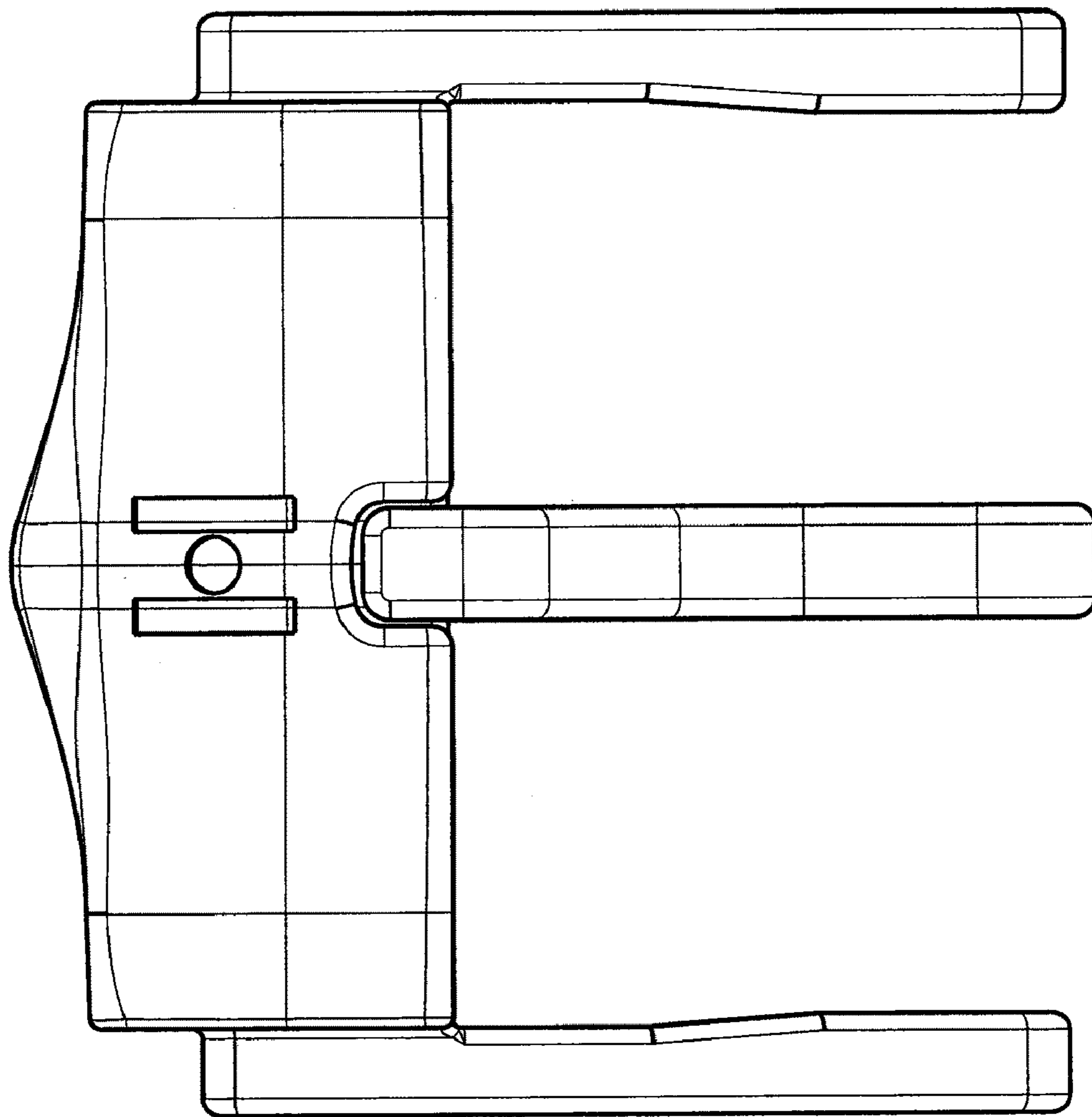


FIG. 2

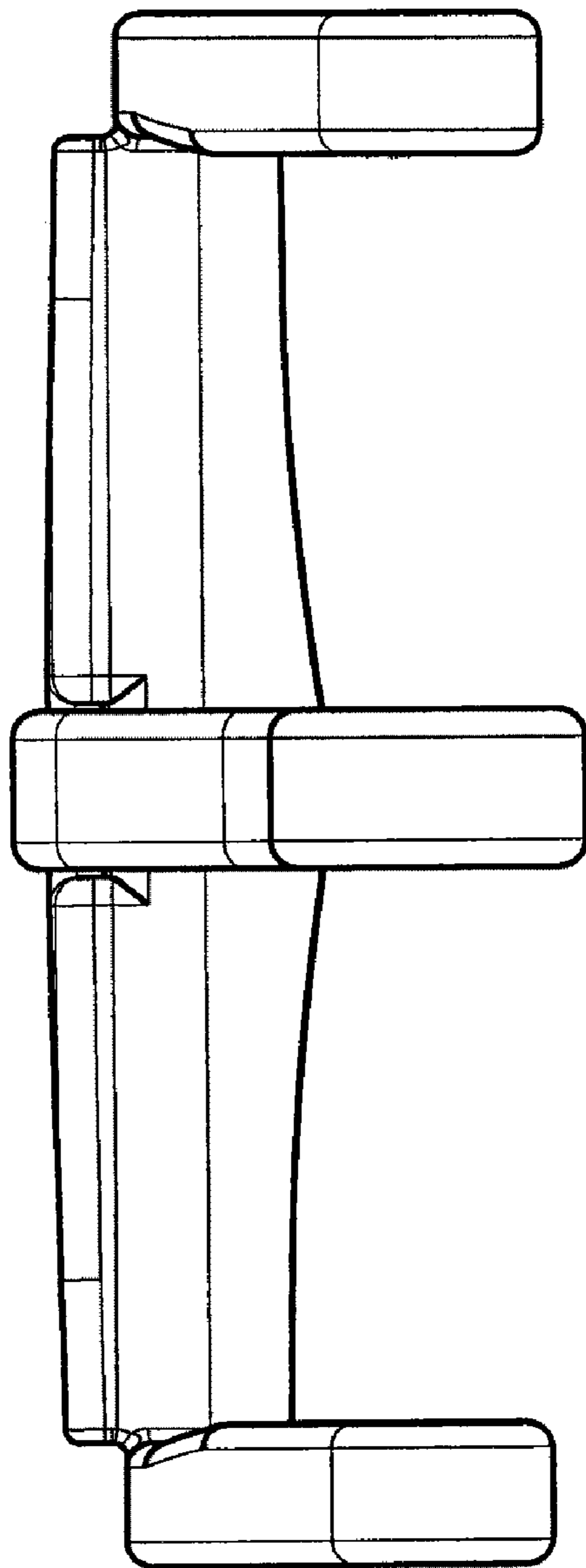


FIG. 3

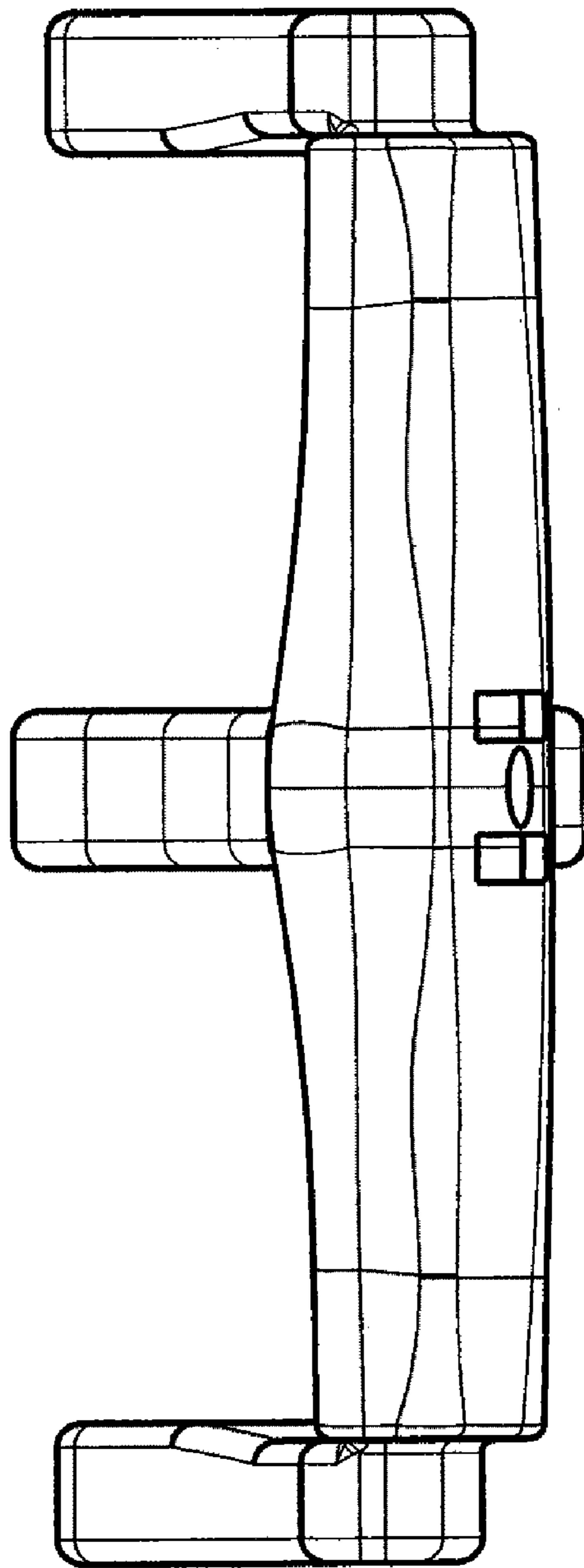


FIG. 4

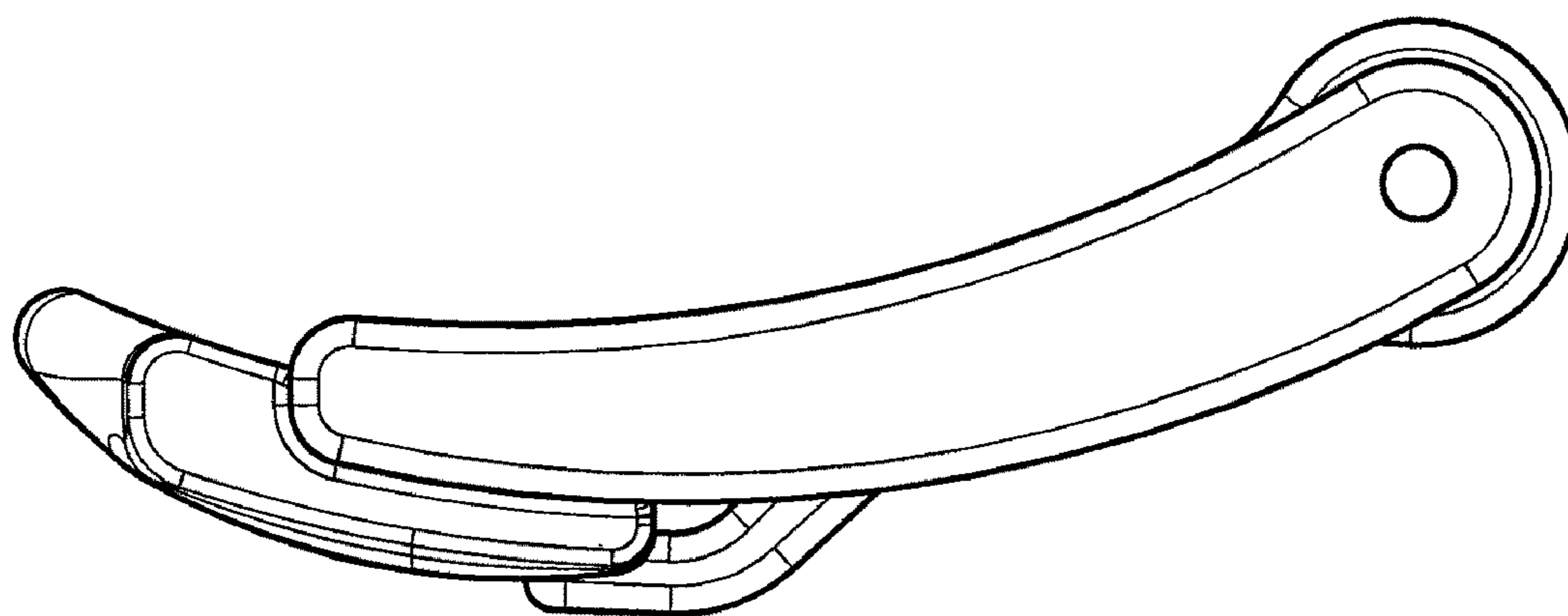


FIG. 5

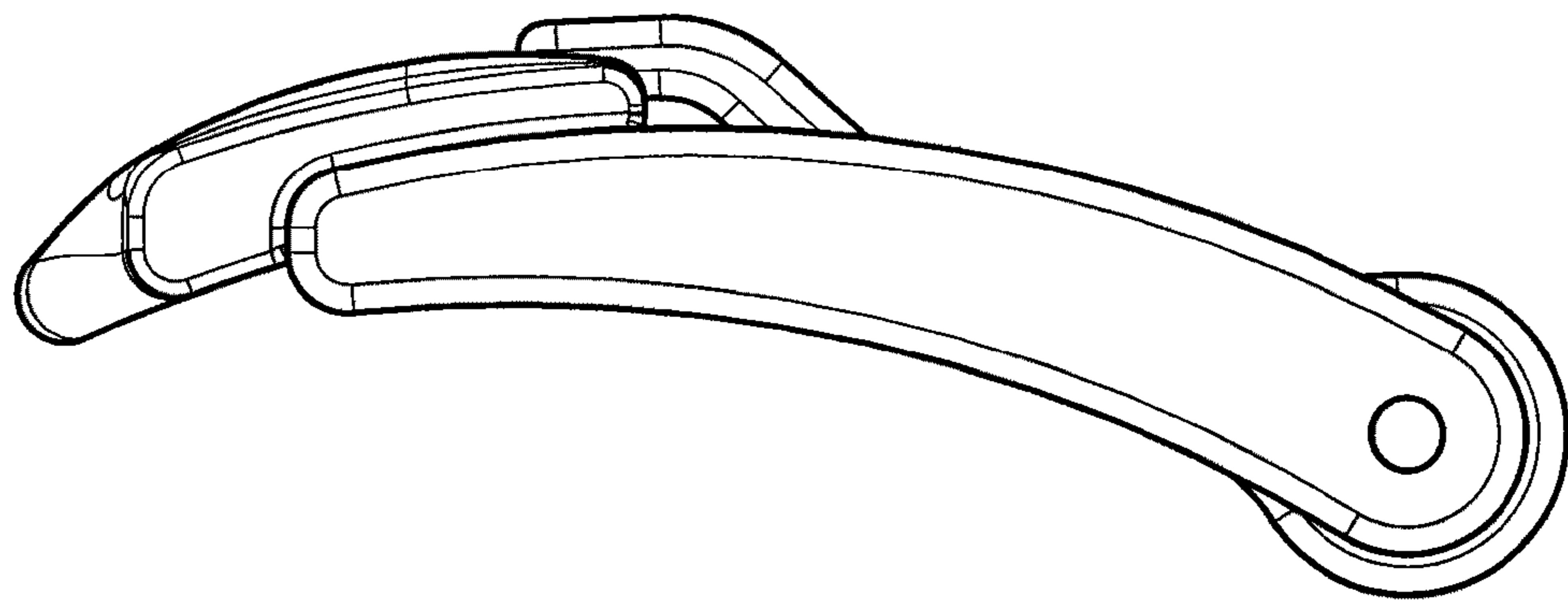


FIG. 6

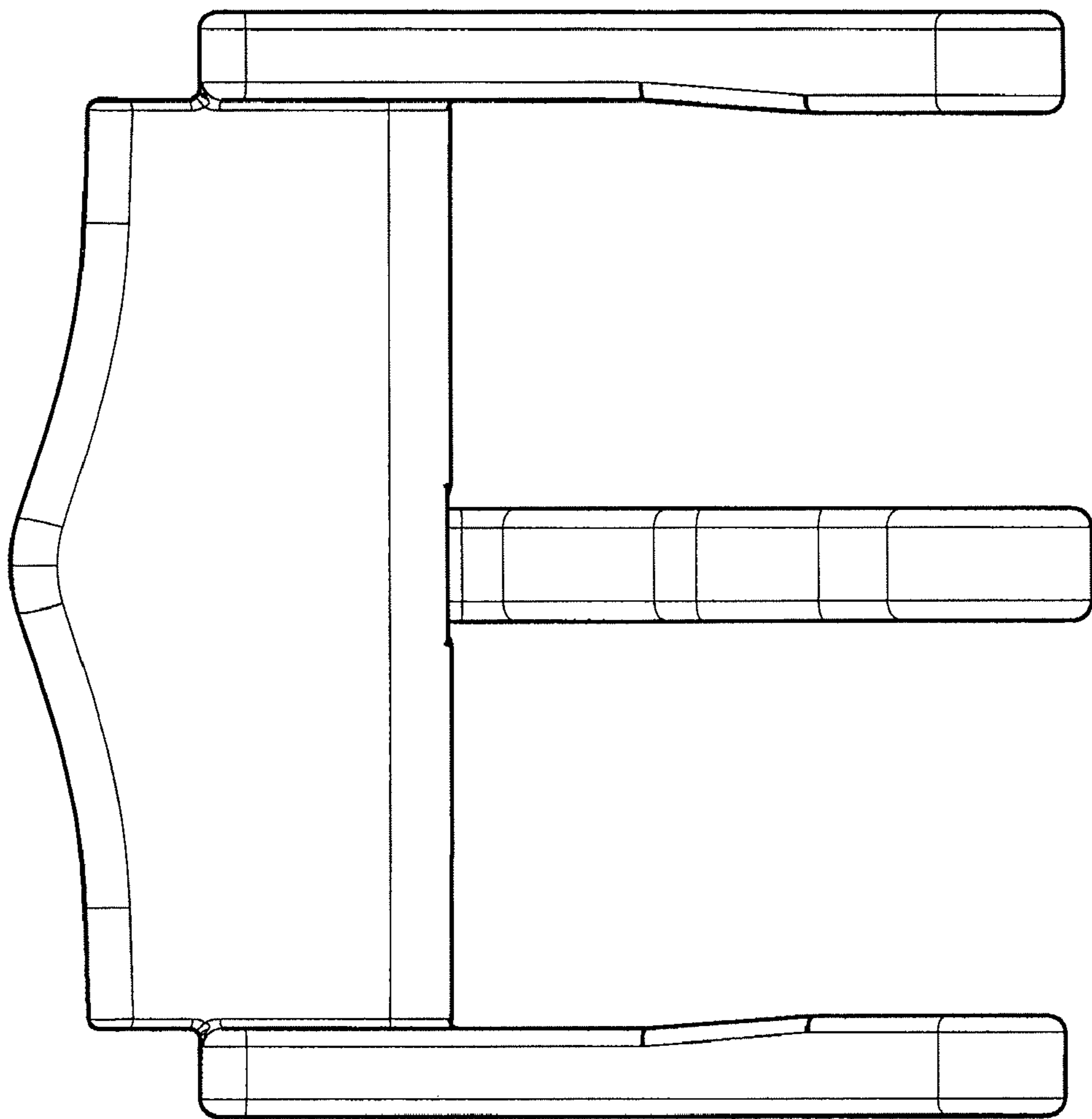


FIG. 7

