



US00D628505S

(12) **United States Design Patent**
Sayegh et al.

(10) **Patent No.:** **US D628,505 S**
(45) **Date of Patent:** **** Dec. 7, 2010**

(54) **ELECTRONIC ARTICLE SURVEILLANCE
DEVICE FOR USE WITH ARTICLES**

2003/0101779 A1* 6/2003 Chappell 70/202
2004/0233042 A1 11/2004 Piccoli et al.
2005/0199674 A1 9/2005 Lyon
2005/0231365 A1 10/2005 Tester et al.
2005/0270161 A1 12/2005 Yang et al.

(75) Inventors: **Adel O. Sayegh**, Rancho Cucamonga,
CA (US); **Miaofu Yang**, Hangzhou
(CN); **Yinghong He**, Hangzhou (CN);
Guohui Chen, Hangzhou (CN)

(Continued)

(73) Assignee: **Universal Surveillance Corporation**,
Rancho Cucamonga, CA (US)

Primary Examiner—Caron Veynar
Assistant Examiner—George D Kirschbaum
(74) *Attorney, Agent, or Firm*—Milord A. Keshishian

(**) Term: **14 Years**

(21) Appl. No.: **29/336,334**

(22) Filed: **Apr. 30, 2009**

(51) **LOC (9) Cl.** **10-05**

(52) **U.S. Cl.** **D10/106**

(58) **Field of Classification Search** D10/104,
D10/106; D8/333; D3/208; 24/704.1; 340/10.1,
340/571, 572.1, 572.9, 572.8; 40/625; 292/307 A,
292/326; 224/221; 42/70.11; 70/16
See application file for complete search history.

(56) **References Cited**

U.S. PATENT DOCUMENTS

D59,580 S * 11/1921 Copeland D8/333
1,949,402 A 3/1934 Beaver
3,999,409 A * 12/1976 Bell 70/58
D293,547 S 1/1988 Owen
D296,867 S 7/1988 Owen
5,193,366 A * 3/1993 Brinkman 70/18
D389,442 S * 1/1998 Kantor D12/162
D389,724 S * 1/1998 Webster D8/333
5,806,350 A * 9/1998 Savinsky 70/18
D402,180 S * 12/1998 Chappell D8/333
6,052,876 A * 4/2000 Hogan et al. 24/704.1
D451,783 S * 12/2001 Yu D8/334
D487,389 S 3/2004 Doustou, Jr. et al.
6,860,128 B2* 3/2005 Chappell 70/202
D508,657 S * 8/2005 Belden, Jr. D10/104
7,005,989 B2 2/2006 Benoit et al.
7,342,495 B2 3/2008 Sayegh
D596,520 S * 7/2009 Sayegh et al. D10/106

(57) **CLAIM**

An ornamental design for an electronic article surveillance
device for use with articles, as shown and described.

DESCRIPTION

FIG. 1 is a frontal perspective view of the electronic article
surveillance tag for use with articles in an unengaged state
showing the design;

FIG. 2 is a bottom side perspective view thereof in an unen-
gaged state;

FIG. 3 is a right side elevational view thereof in an unengaged
state;

FIG. 4 is a left side elevational view thereof in an unengaged
state;

FIG. 5 is a right side elevational view thereof in an engaged
state;

FIG. 6 is a left side elevational view thereof in an engaged
state;

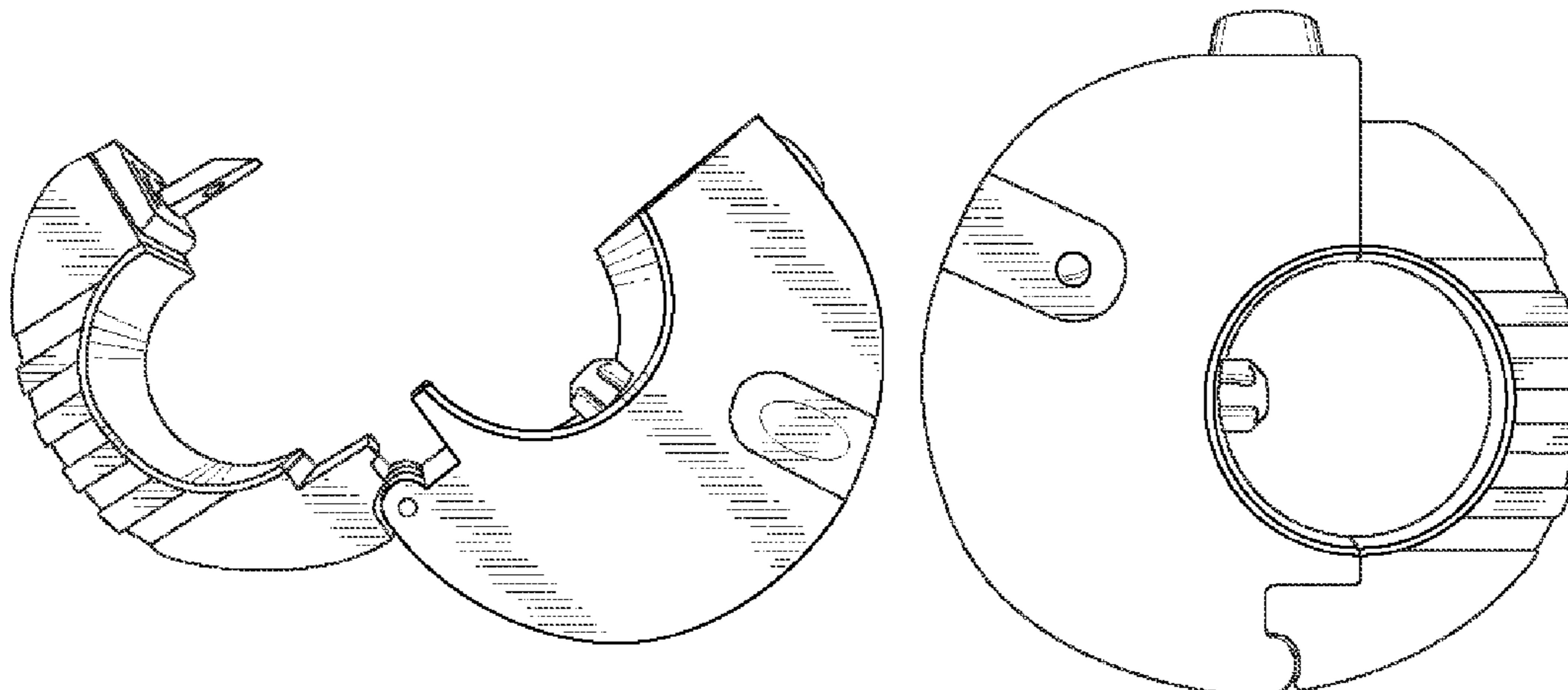
FIG. 7 is a frontal elevational view thereof in an engaged
state;

FIG. 8 is a bottom side perspective view thereof in an engaged
state;

FIG. 9 is a rearward perspective view thereof in an engaged
state; and,

FIG. 10 is a top side perspective view thereof in an engaged
state.

1 Claim, 5 Drawing Sheets



US D628,505 S

Page 2

U.S. PATENT DOCUMENTS

2006/0048551 A1 3/2006 Tanos
2006/0107707 A1 5/2006 Vaughn et al.

2007/0144223 A1* 6/2007 Stone 70/18

* cited by examiner

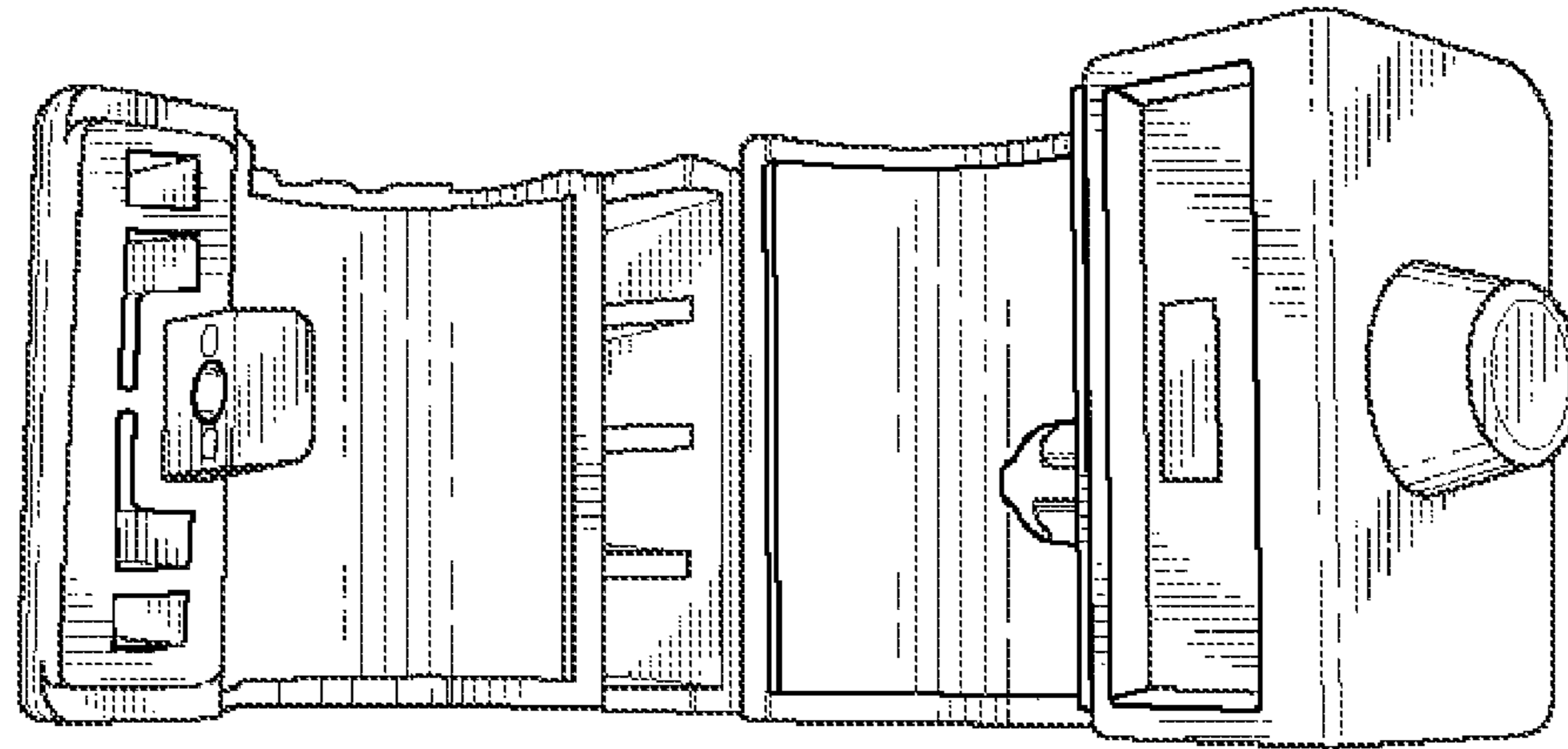


FIG. 1

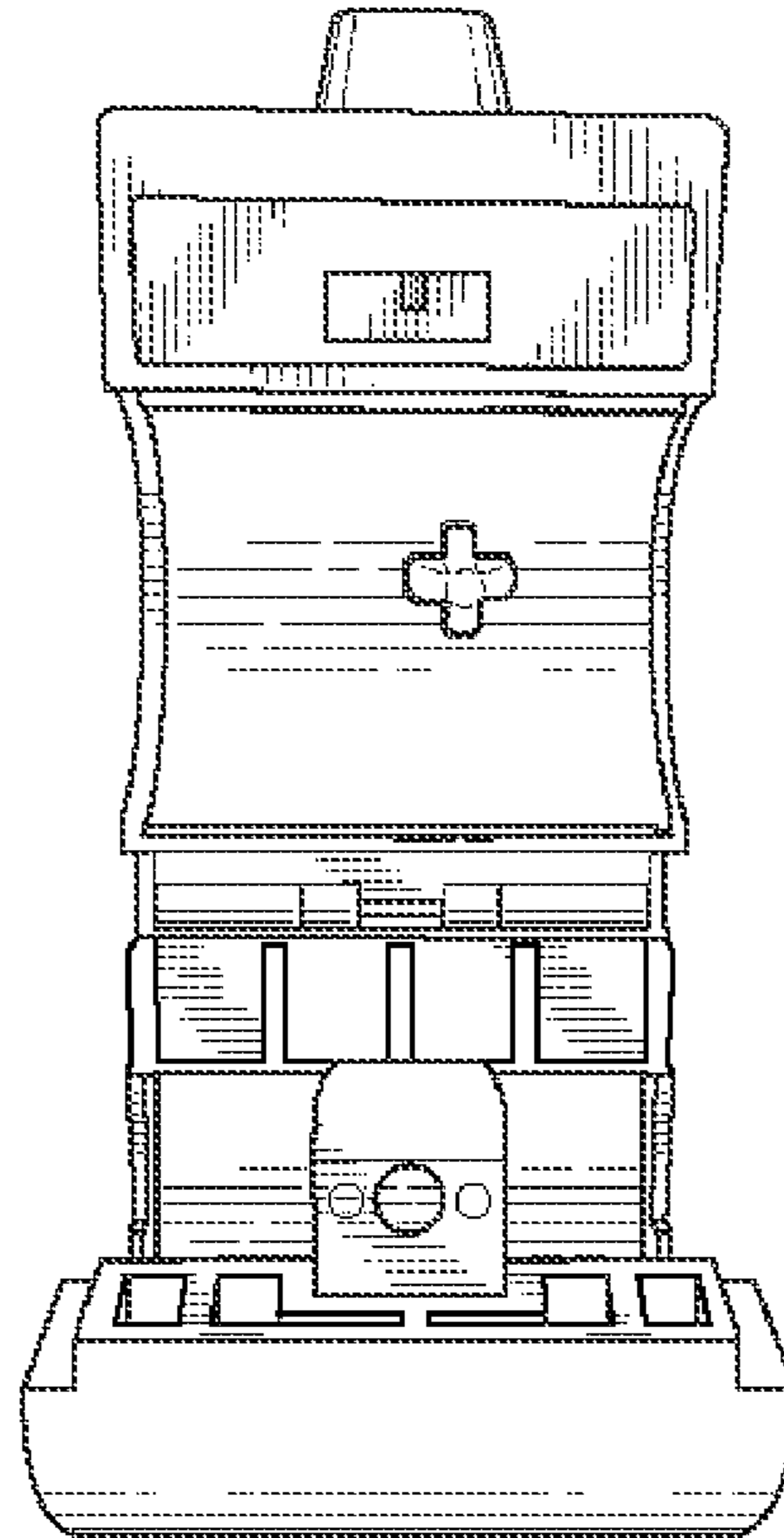


FIG. 2

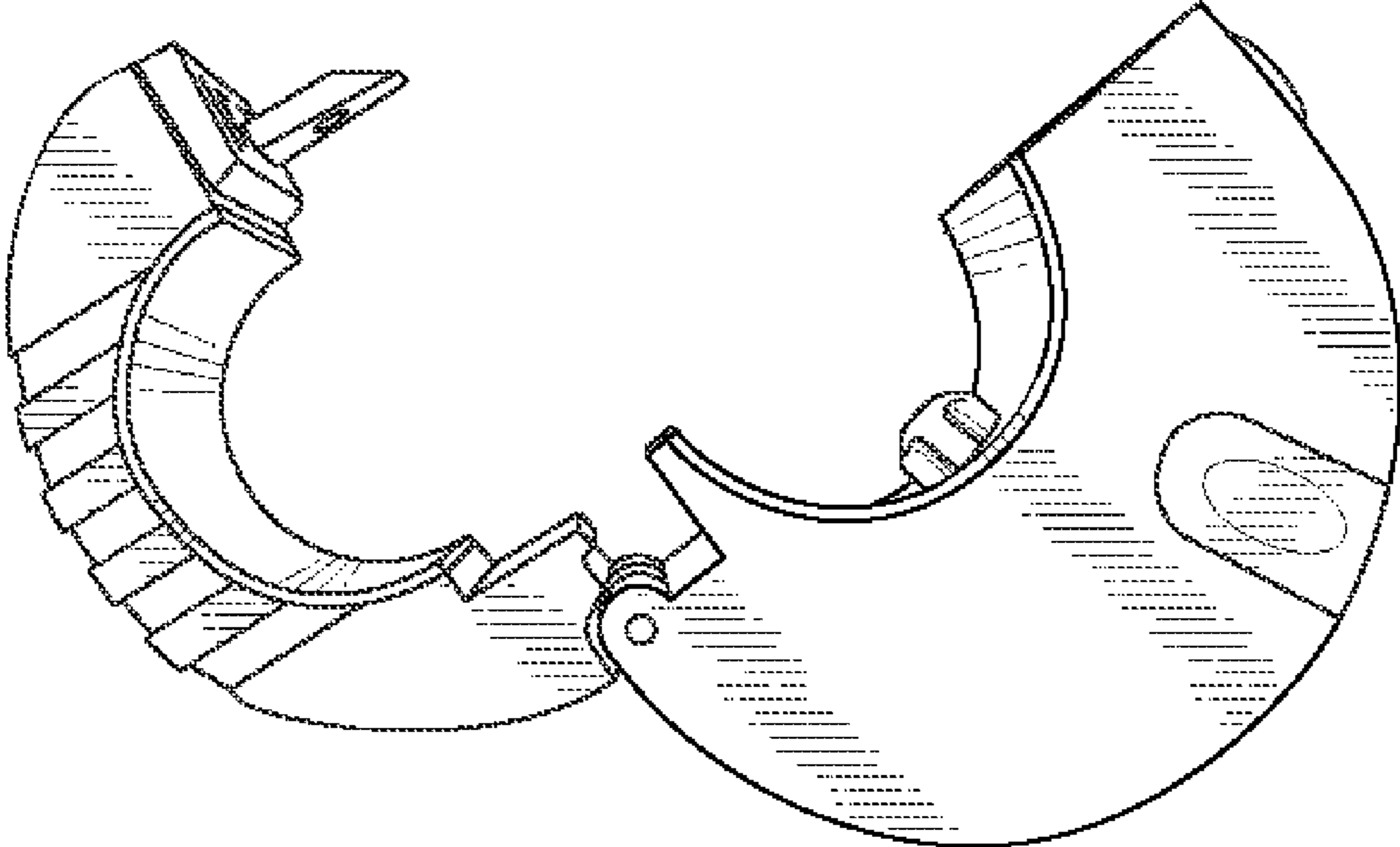


FIG. 3

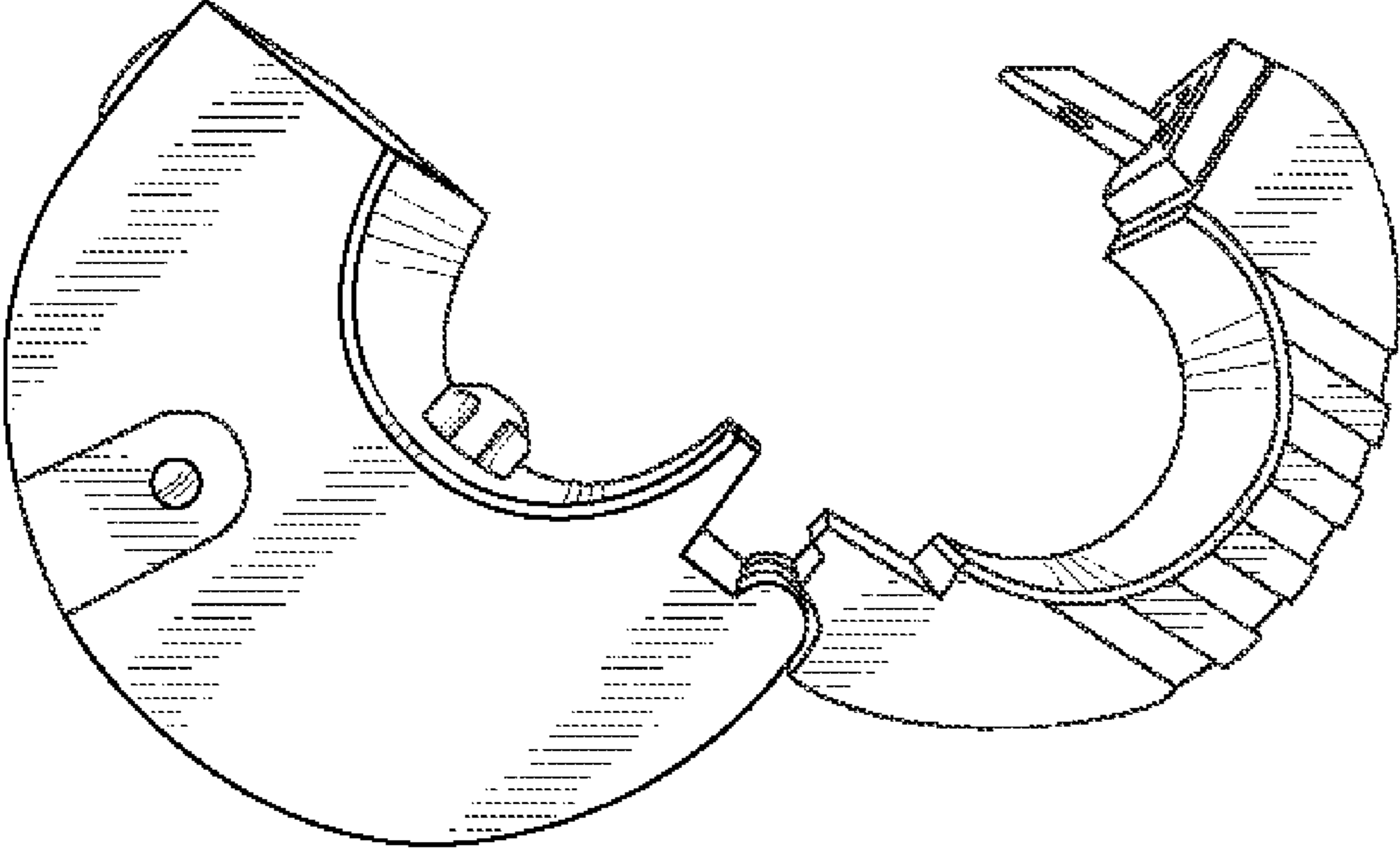


FIG. 4

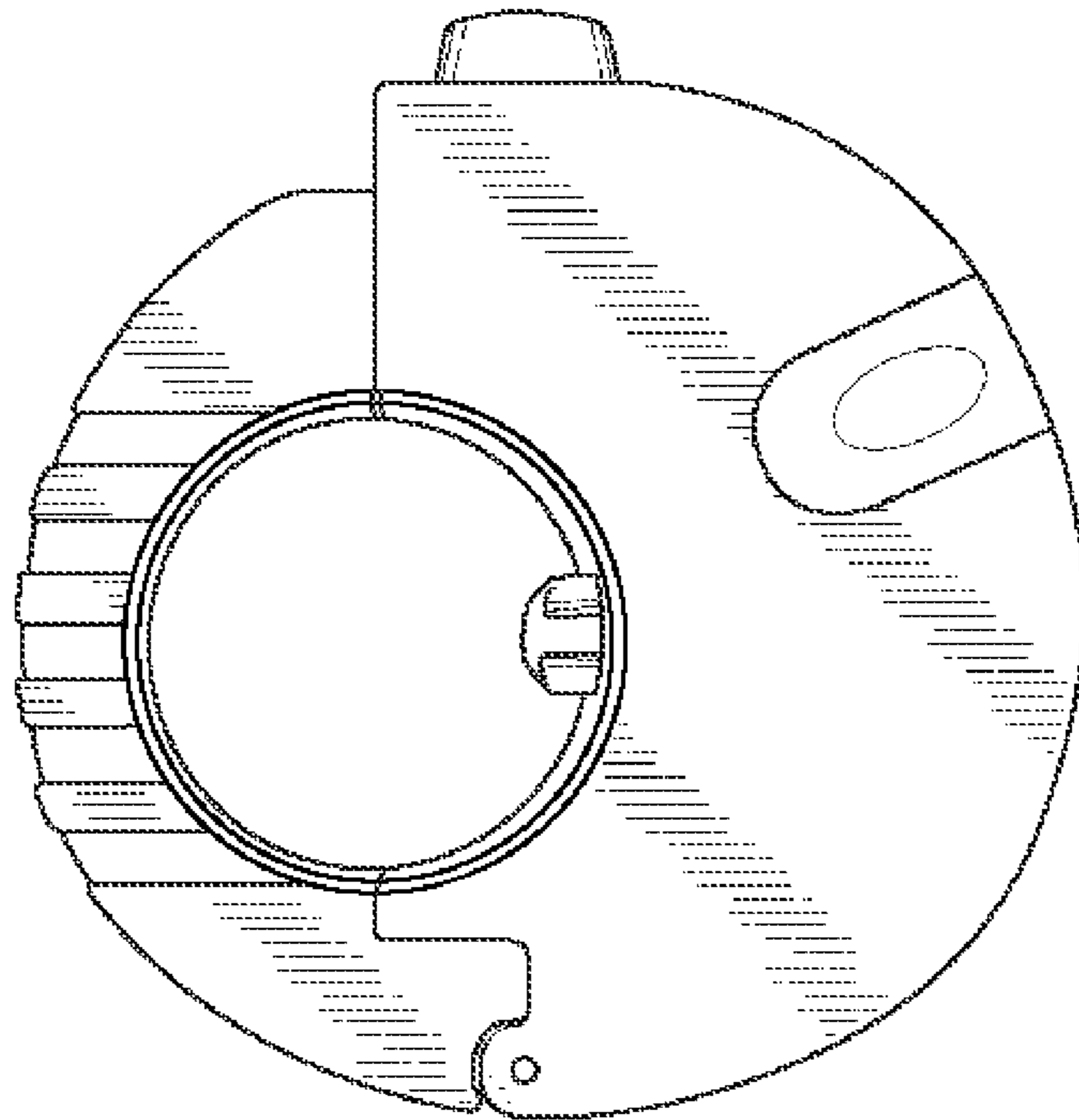


FIG. 5

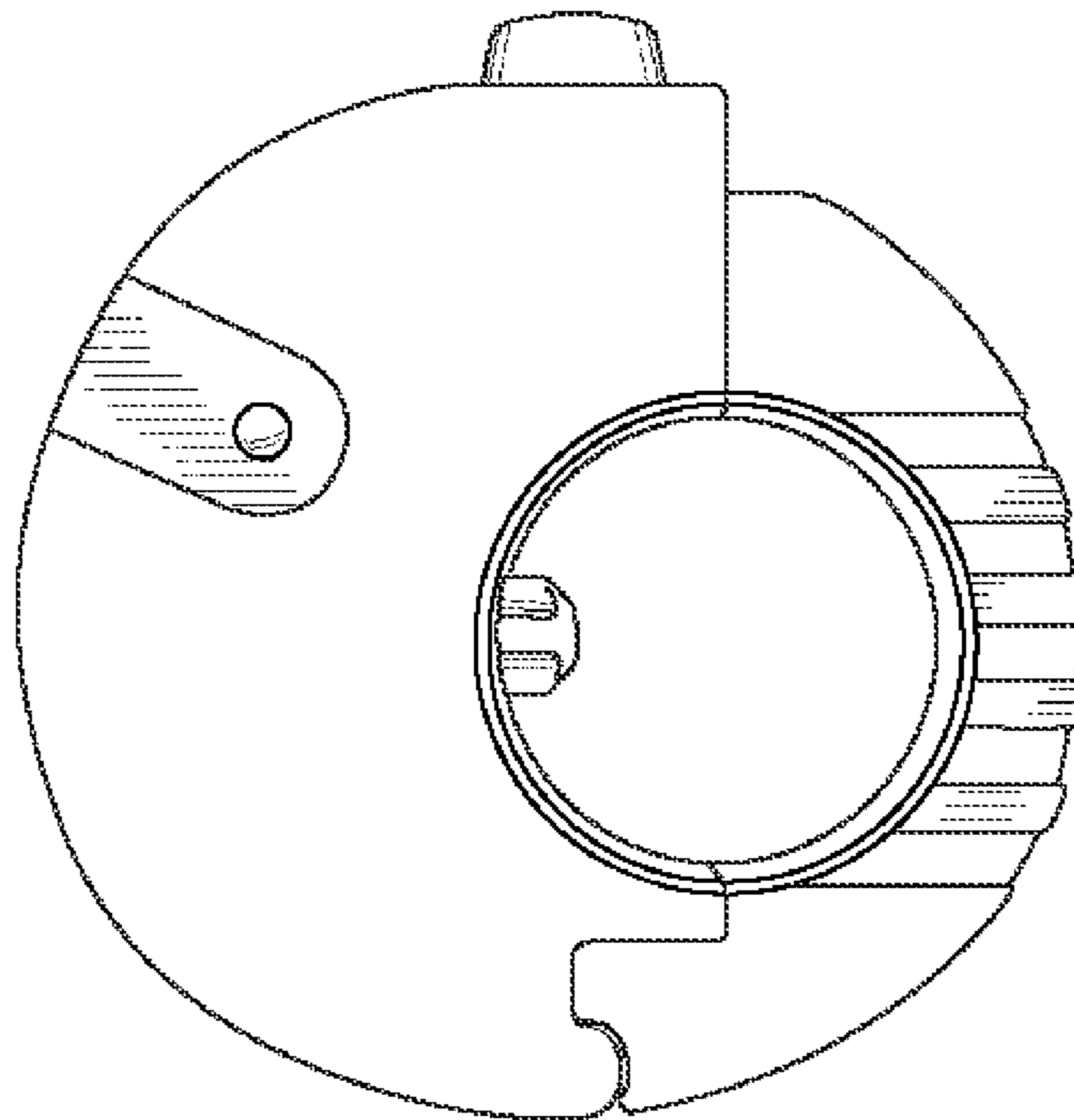


FIG. 6

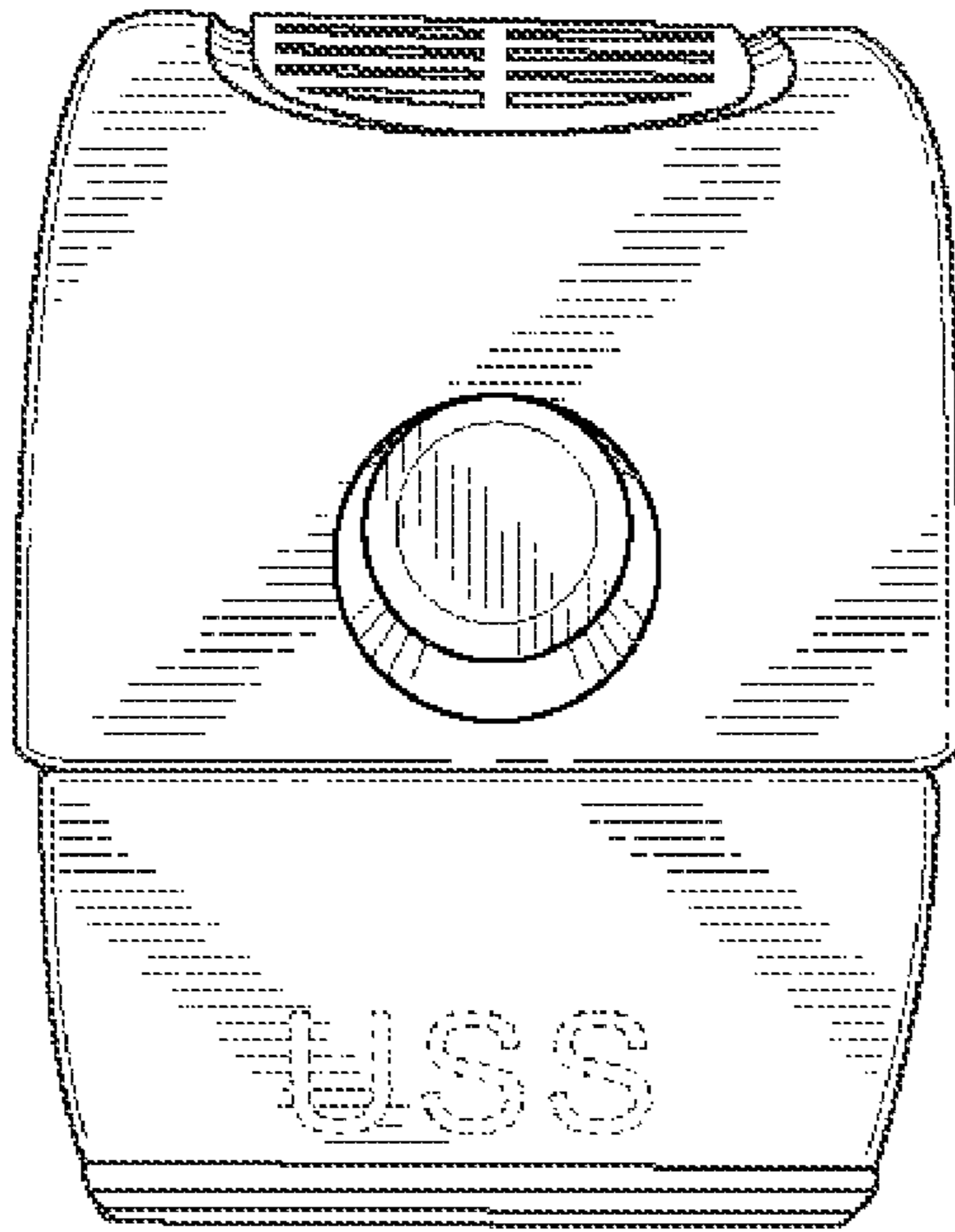


FIG. 7

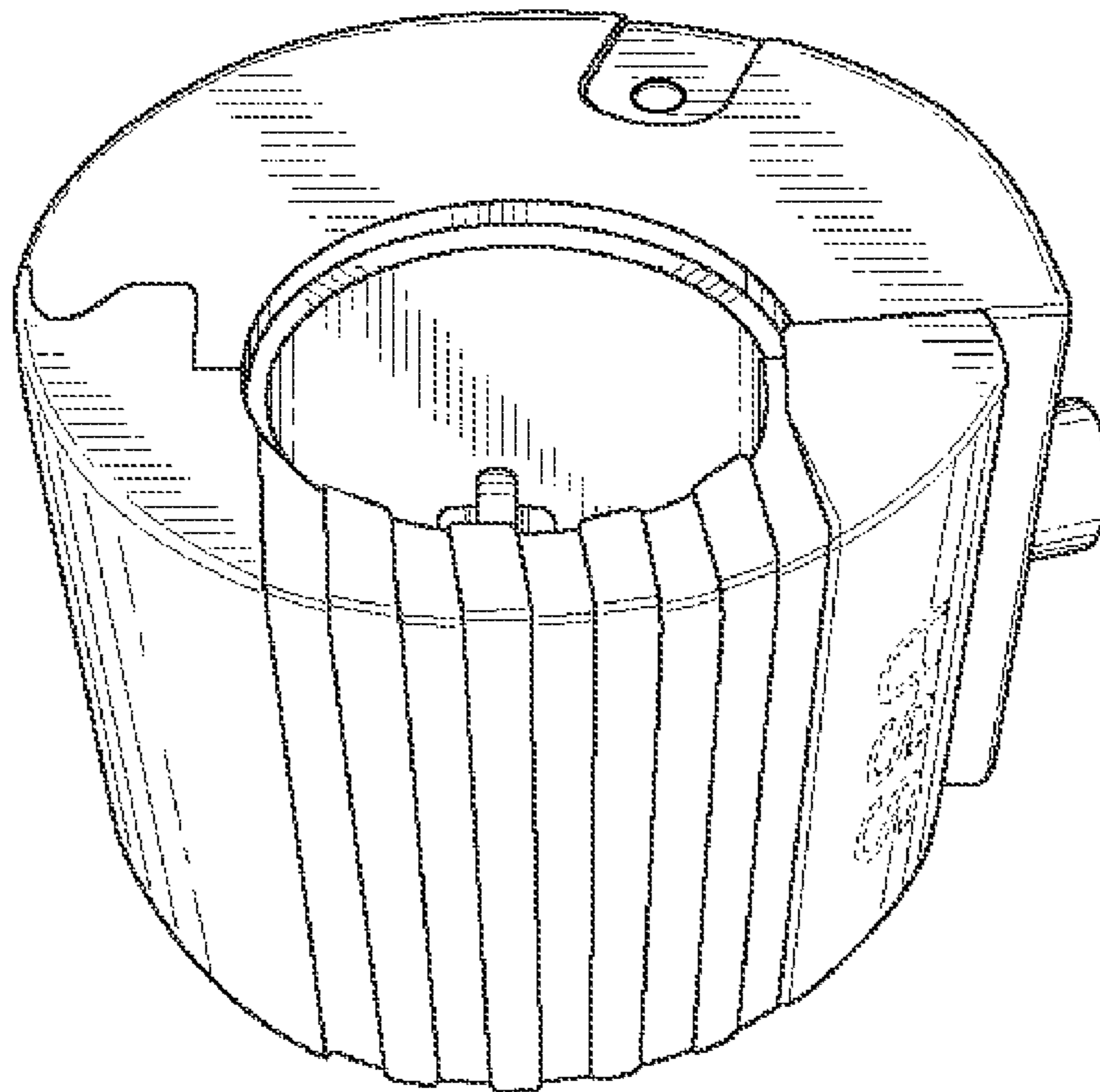


FIG. 8

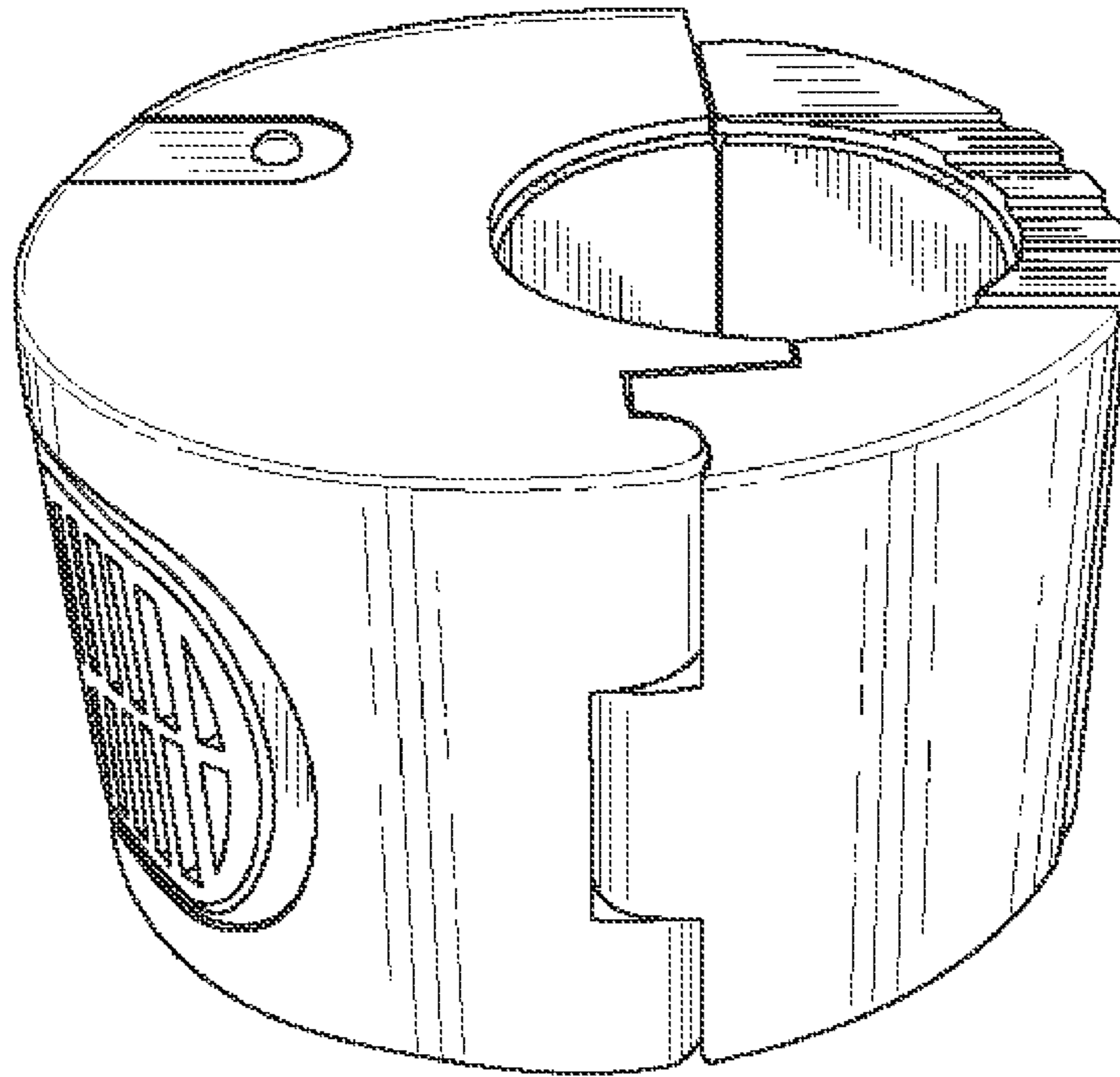


FIG. 9

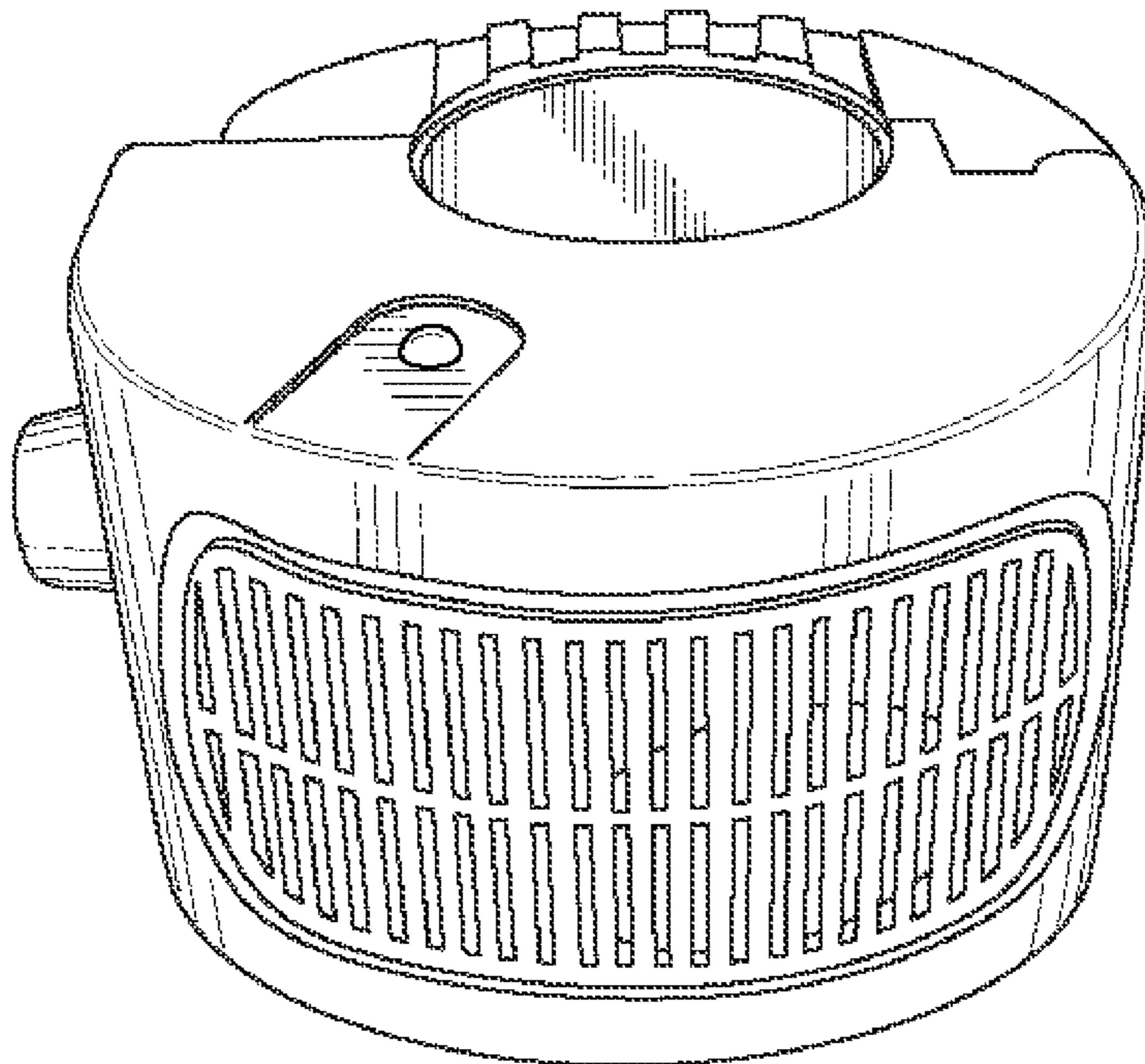


FIG. 10