



US00D628503S

(12) **United States Design Patent**
Kasano et al.

(10) **Patent No.:** **US D628,503 S**

(45) **Date of Patent:** **** Dec. 7, 2010**

(54) **BODY COMPOSITION METER**

(75) Inventors: **Mondo Kasano**, Nishinomiya (JP);
Tatsutoshi Kobayakawa, Tokyo (JP)

(73) Assignee: **Tanita Corporation**, Tokyo (JP)

(**) Term: **14 Years**

(21) Appl. No.: **29/361,859**

(22) Filed: **May 17, 2010**

(30) **Foreign Application Priority Data**

Nov. 17, 2009 (JP) 2009-26898

(51) **LOC (9) Cl.** **10-04**

(52) **U.S. Cl.** **D10/93**

(58) **Field of Classification Search** D10/93,
D10/94; 177/25.12–25.18, 238–245, 177,
177/126, 1, 181, 210 R, 210 C, 25, 30, 127,
177/DIG. 3; 600/506, 547

See application file for complete search history.

(56) **References Cited**

U.S. PATENT DOCUMENTS

D503,120 S * 3/2005 Sato et al. D10/93

* cited by examiner

Primary Examiner—Antoine D Davis

(74) *Attorney, Agent, or Firm*—Holtz, Holtz, Goodman & Chick, PC

(57) **CLAIM**

The ornamental design for a body composition meter, as shown and described.

DESCRIPTION

FIG. 1 is a front, right side, top perspective view of a body composition meter showing our new design;

FIG. 2 is a front elevational view thereof;

FIG. 3 is a rear elevational view thereof;

FIG. 4 is a left side view thereof;

FIG. 5 is a right side view thereof;

FIG. 6 is a top plan view thereof;

FIG. 7 is a bottom plan view thereof;

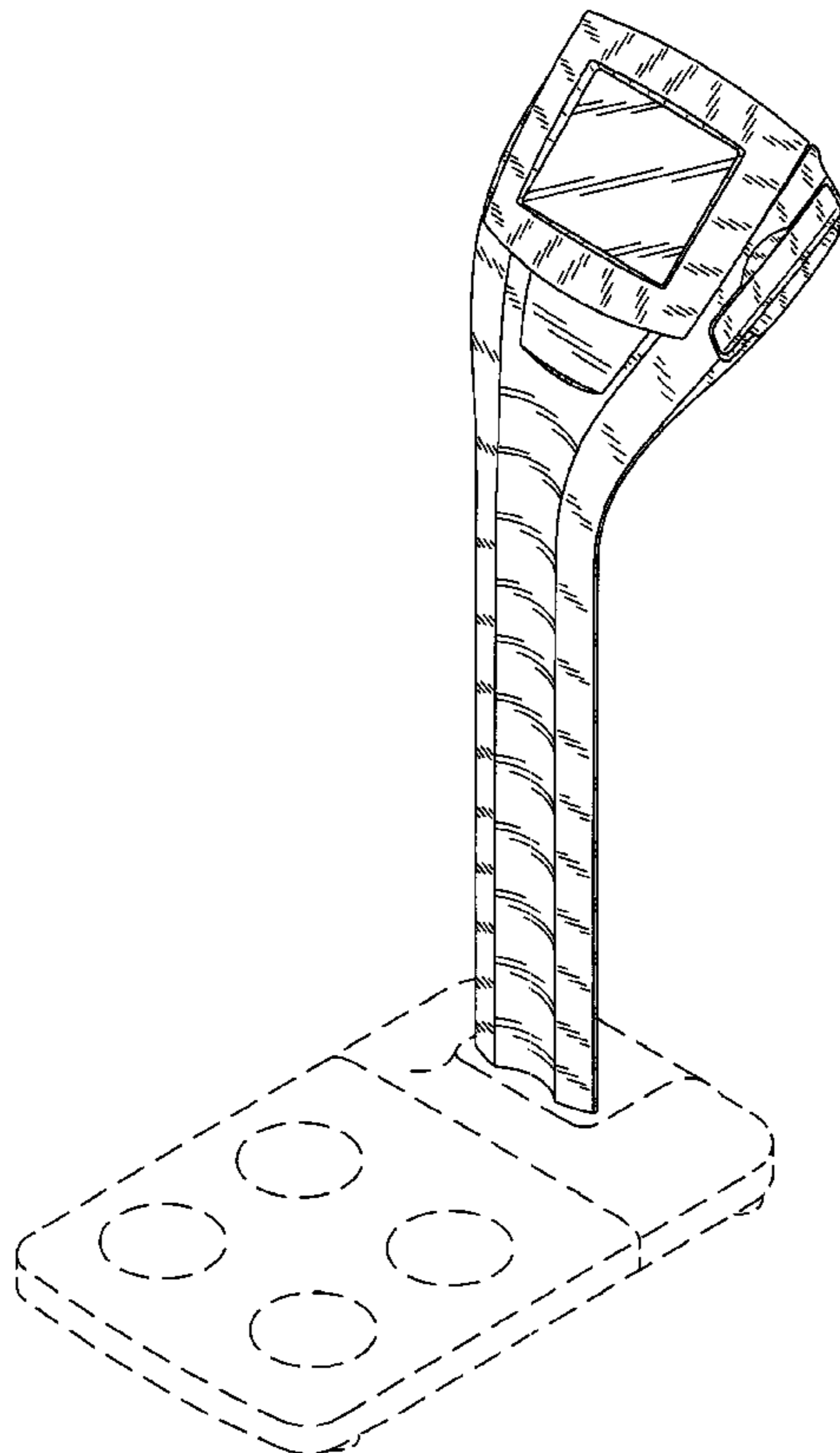
FIG. 8 is a perspective view thereof showing a state in which electrodes for hands are detached from a body portion of this article;

FIG. 9 is an enlarged view thereof taken along the line 9—9 of FIG. 8; and,

FIG. 10 is a reference view thereof showing a state in which this article is used.

The portions in broken lines are shown for illustrative purposes only and form no part of the claimed design.

1 Claim, 10 Drawing Sheets



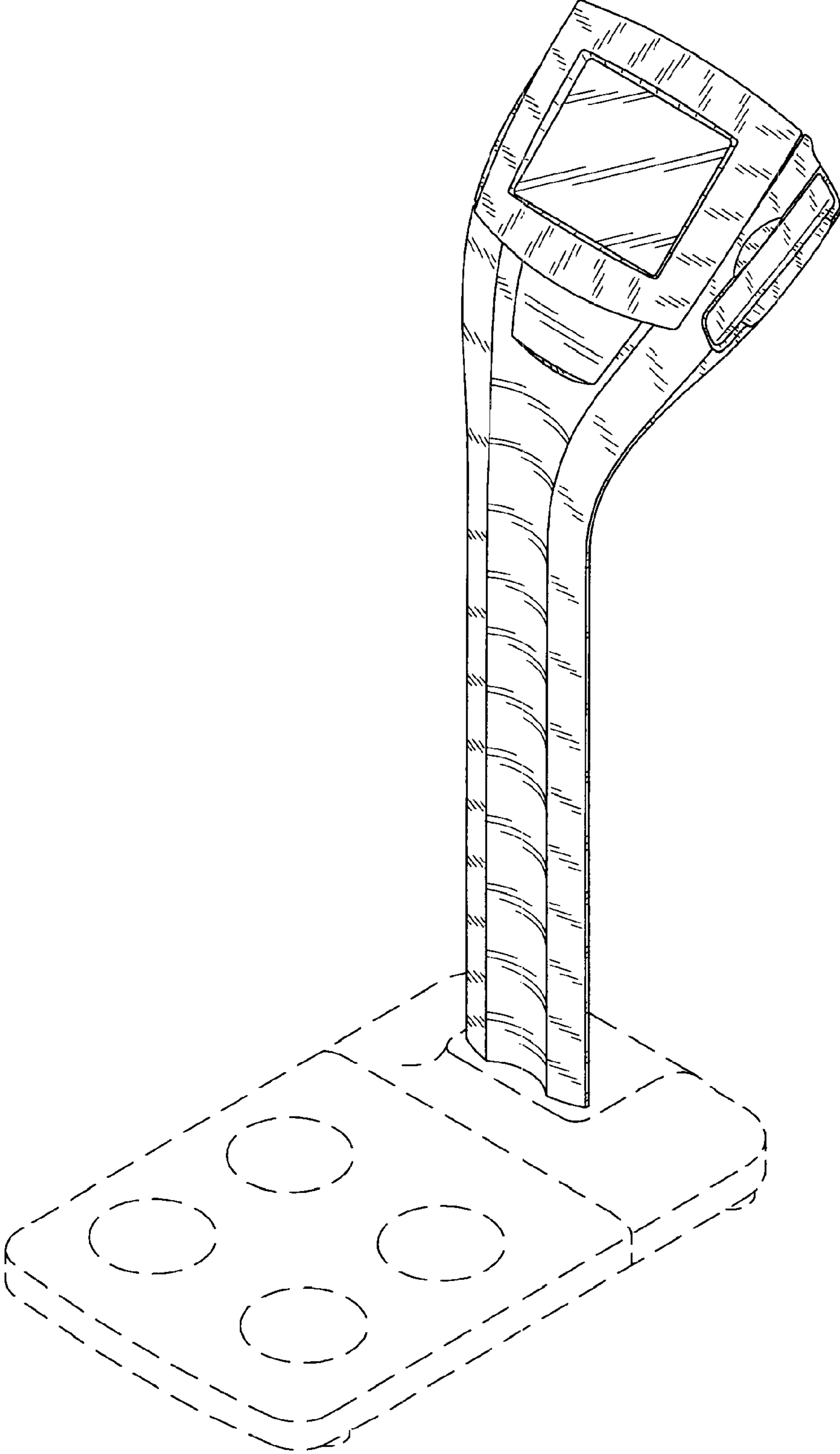


FIG. 1

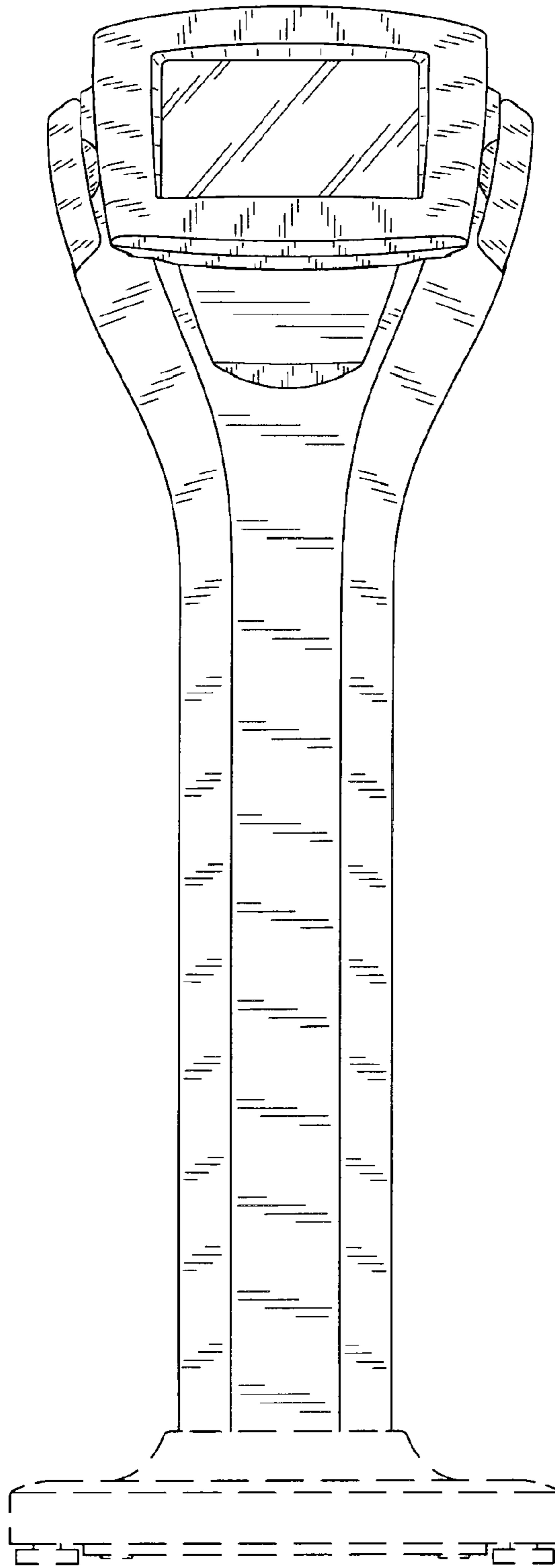


FIG. 2

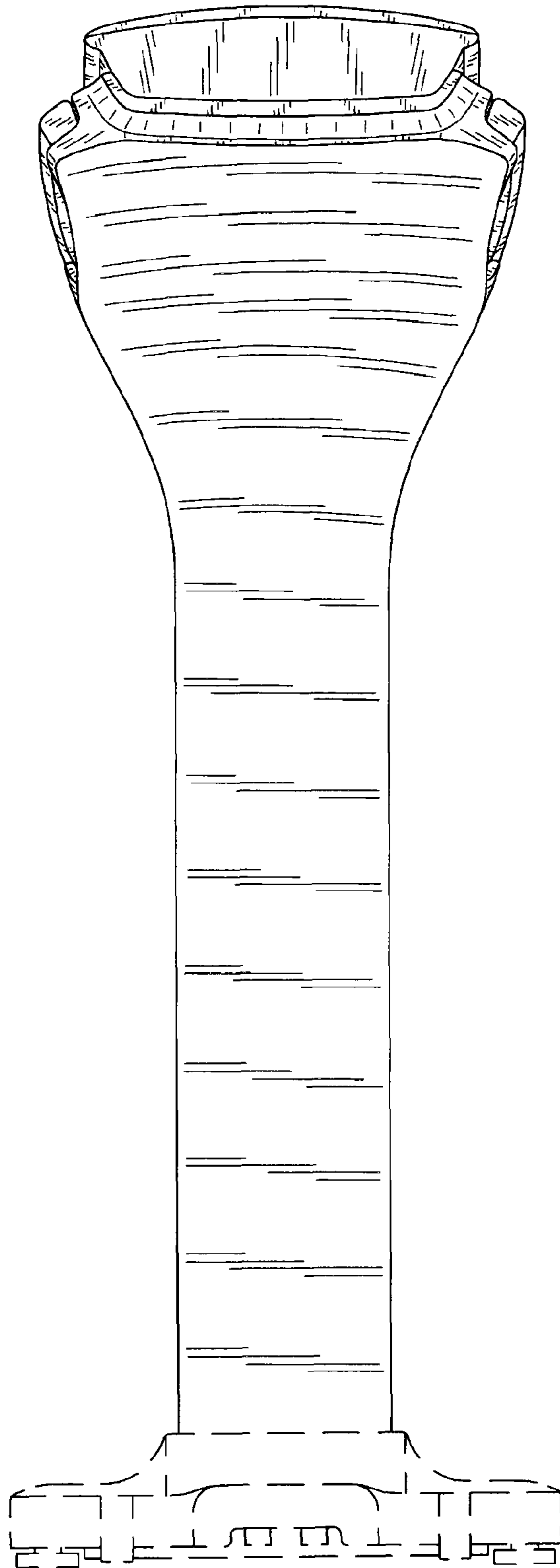


FIG. 3

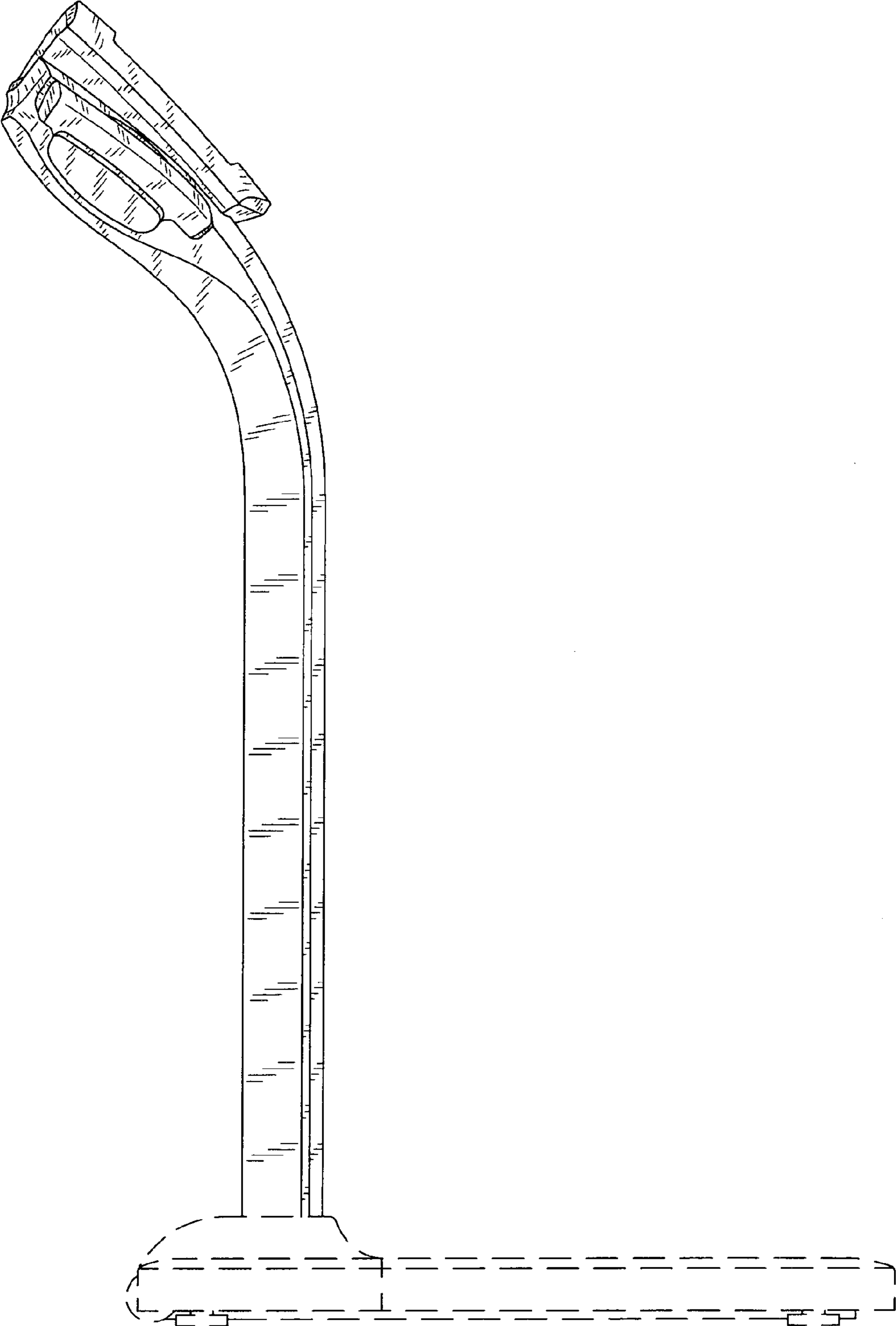


FIG. 4

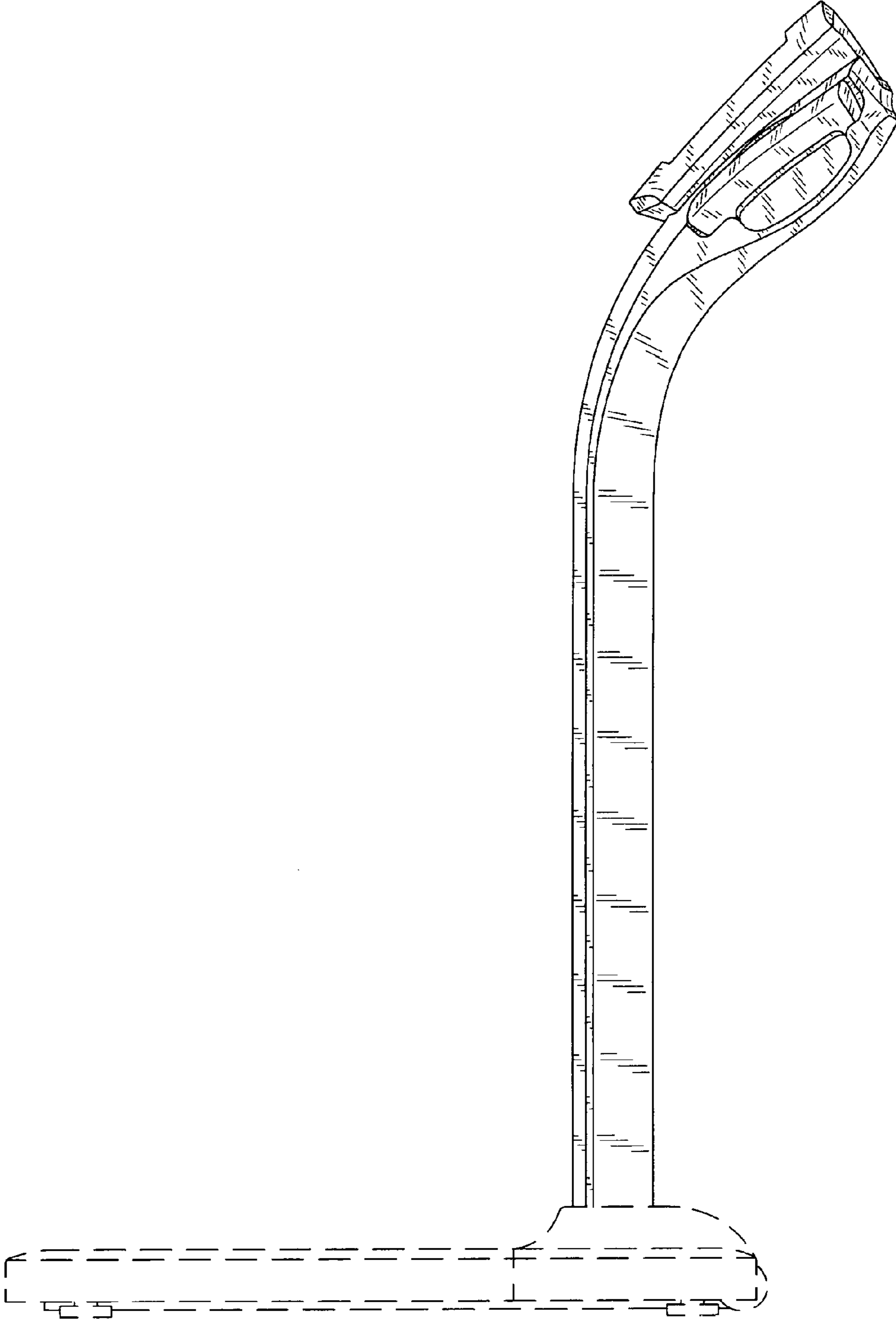


FIG. 5

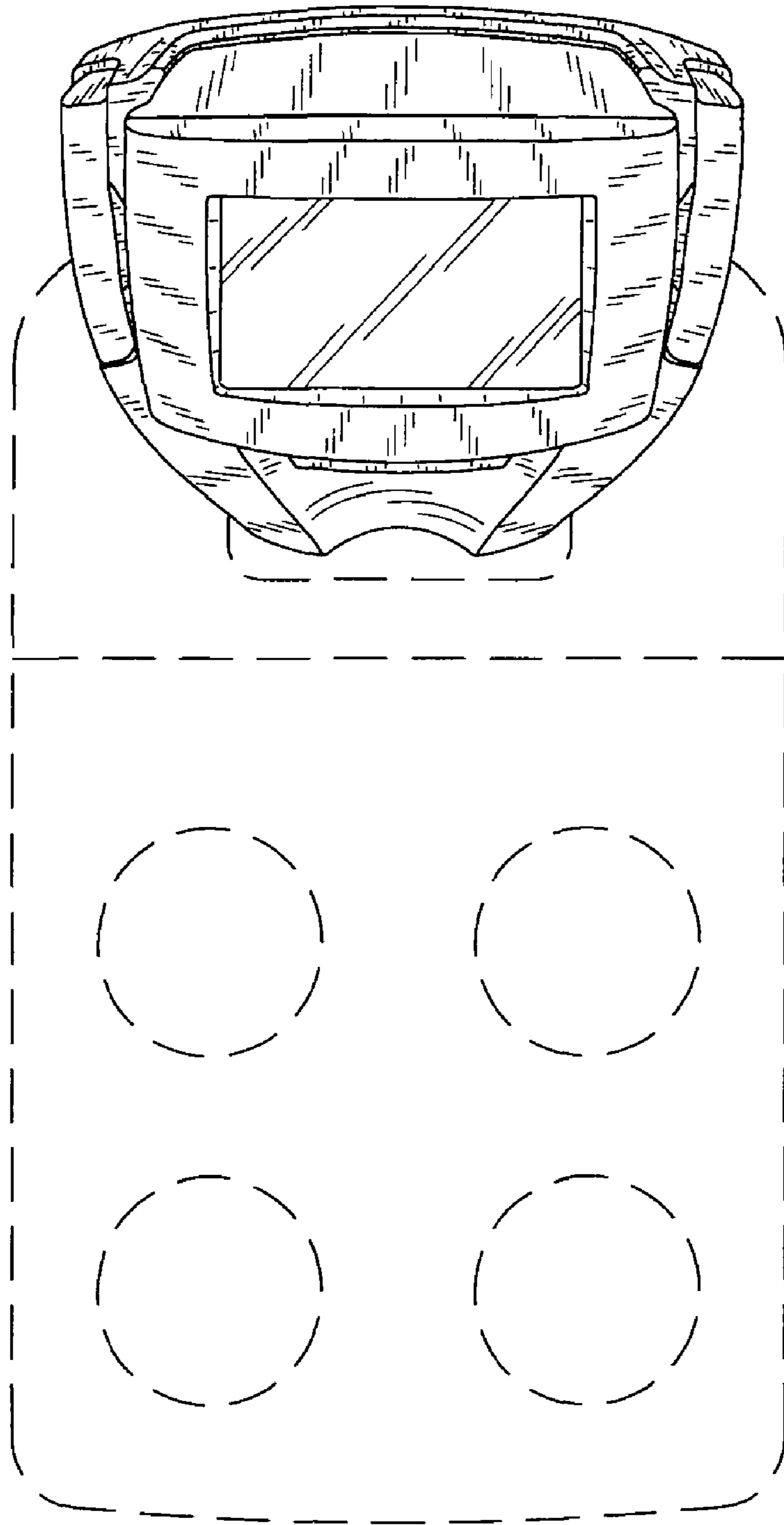


FIG. 6

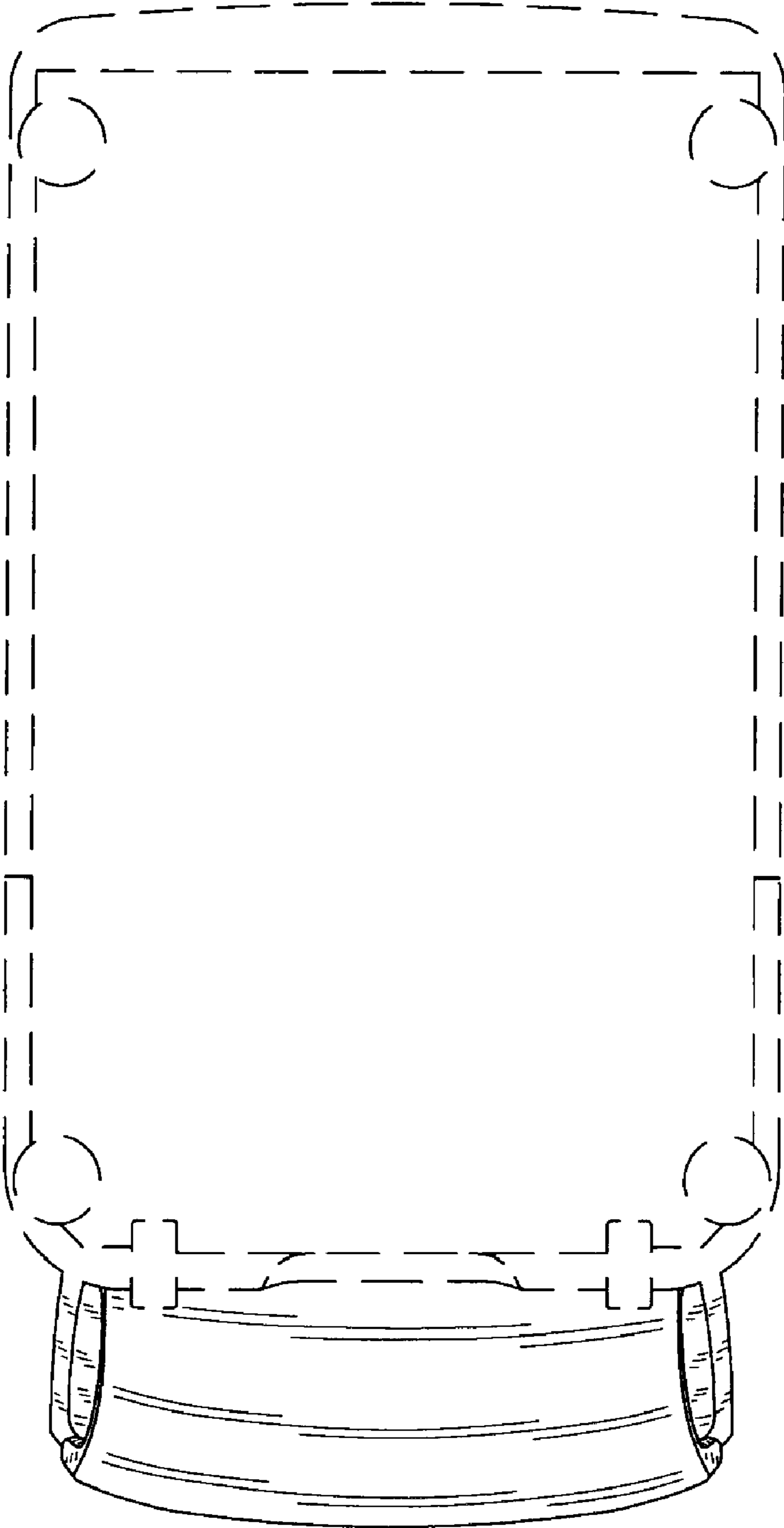


FIG. 7

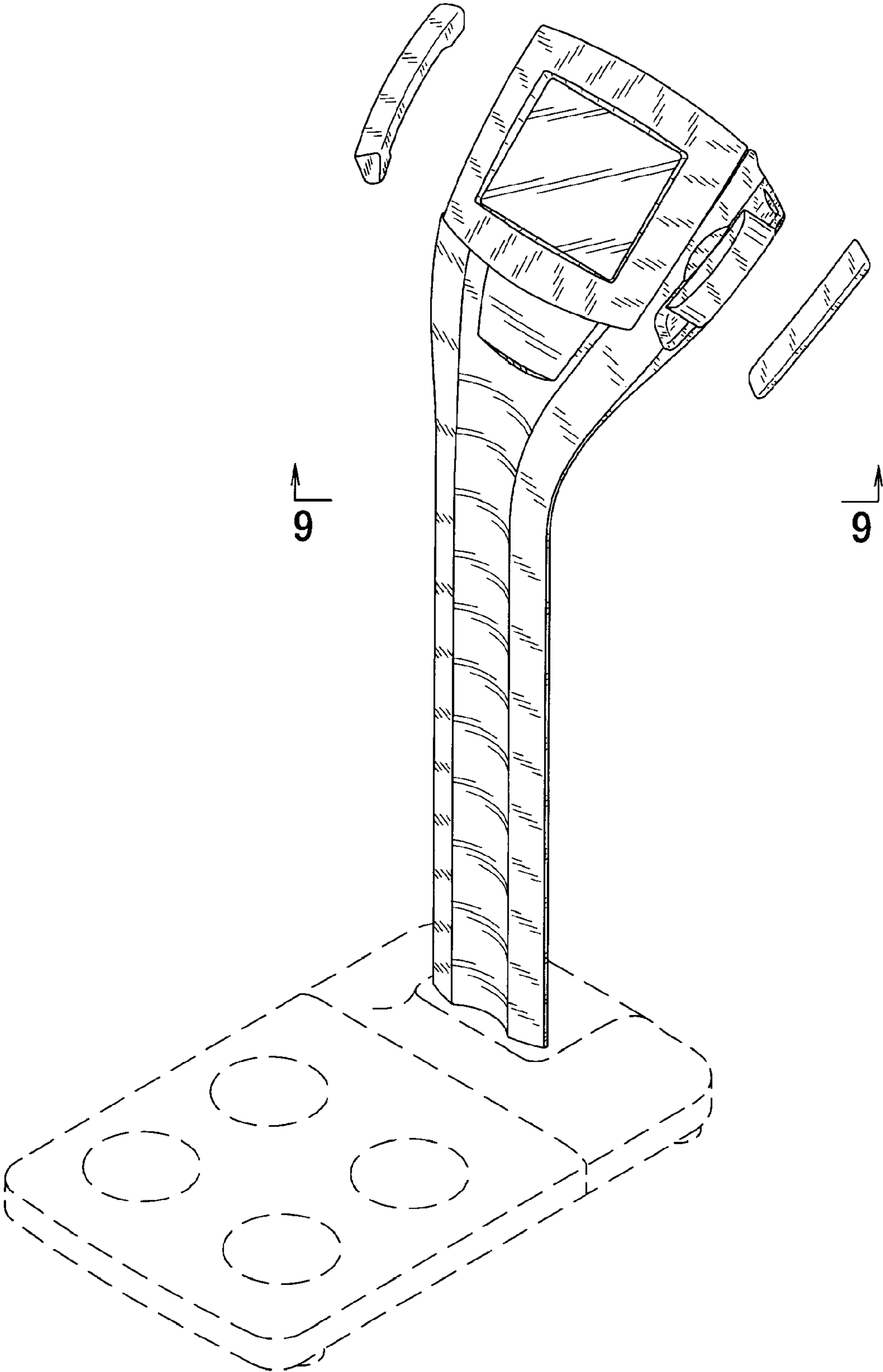


FIG. 8

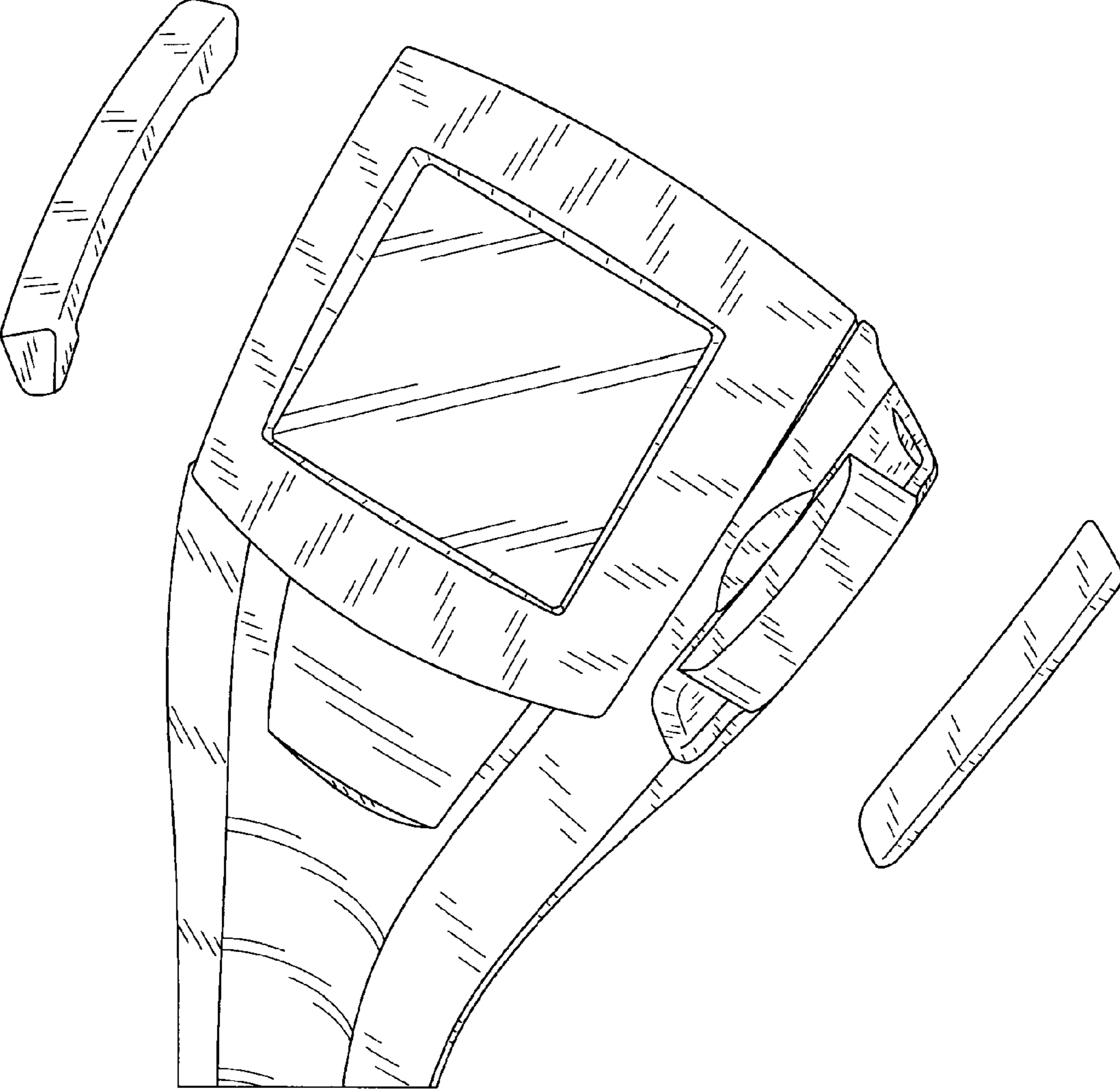


FIG. 9

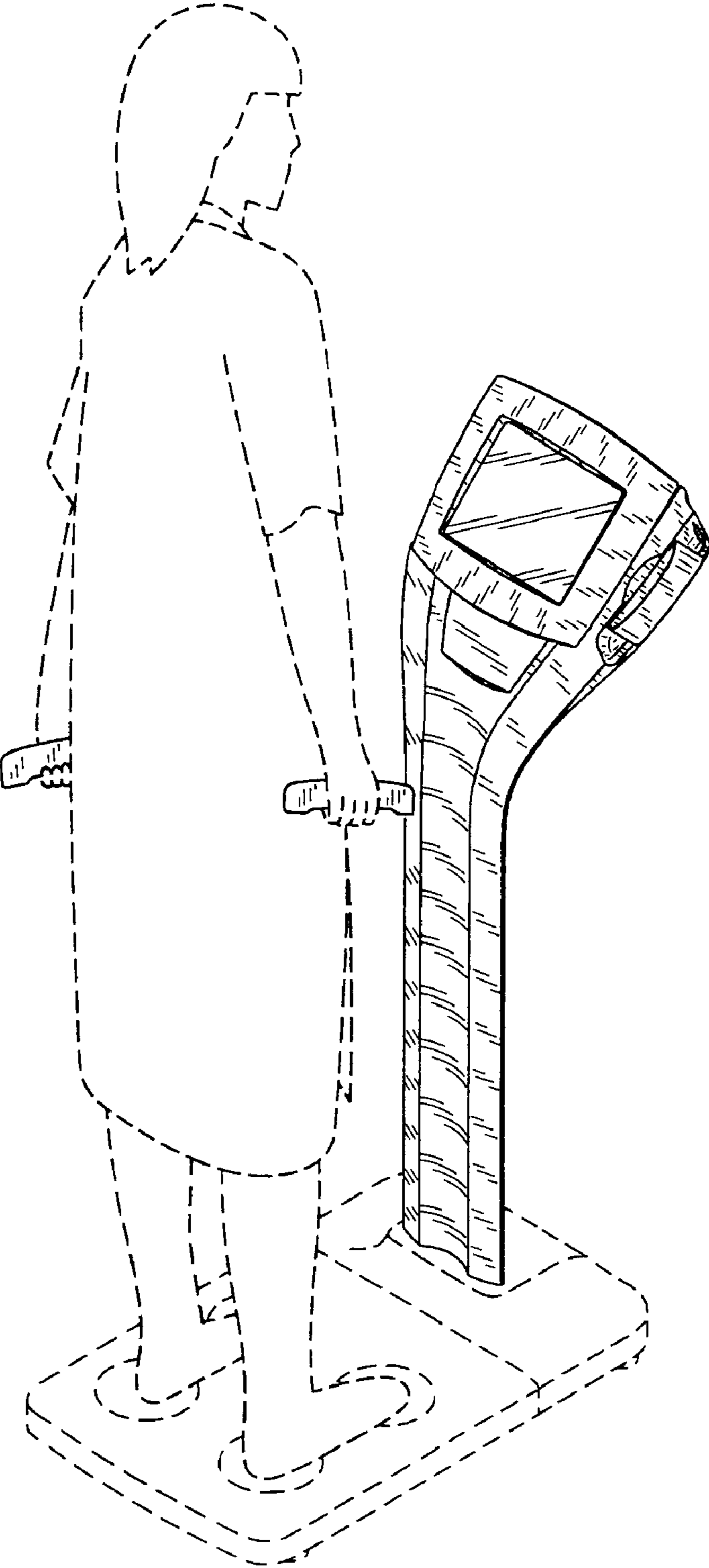


FIG. 10