



US00D628500S

(12) **United States Design Patent**
Duport et al.

(10) **Patent No.:** **US D628,500 S**
(45) **Date of Patent:** **** Dec. 7, 2010**

(54) **WATCH CASE**

(75) Inventors: **Fabrice Duport**, Peseux (CH);
Fernando Soares, Le Landeron (CH)

(73) Assignee: **Tiffany Watch Co. Ltd. (Montres Tiffany SA) (Tiffany Uhren AG)**,
Bienne (CH)

(**) Term: **14 Years**

(21) Appl. No.: **29/364,025**

(22) Filed: **Jun. 17, 2010**

Related U.S. Application Data

(62) Division of application No. 29/343,729, filed on Sep. 18, 2009, now Pat. No. Des. 620,814.

Foreign Application Priority Data

Mar. 18, 2009 (WO) DM/071 484

(51) **LOC (9) Cl.** **10-02**

(52) **U.S. Cl.** **D10/38**

(58) **Field of Classification Search** D10/30-39,
D10/122, 132; 368/276, 281, 282, 285, 294,
368/295

See application file for complete search history.

(56) **References Cited**

U.S. PATENT DOCUMENTS

D286,753 S * 11/1986 Loring D10/39
D302,134 S * 7/1989 Woomer D10/39
D311,694 S * 10/1990 Woomer D10/39

D321,666 S * 11/1991 Burgener D10/32
D322,411 S * 12/1991 Schneider D10/39
D324,342 S * 3/1992 Burgener D10/32
D327,654 S * 7/1992 Gueit D10/32
D332,055 S * 12/1992 Gander D10/39
D350,288 S * 9/1994 Giardiello D10/30
D443,833 S * 6/2001 Lepeu et al. D10/32
D447,063 S * 8/2001 Scheufele D10/30
D473,474 S * 4/2003 Wunderman D10/32
D519,389 S * 4/2006 Takahashi D10/32
D538,184 S * 3/2007 Scheufele D10/39
D551,100 S * 9/2007 Okaya D10/38
D590,276 S * 4/2009 Miloradovic D10/32
D606,890 S * 12/2009 Bulgari D10/39

* cited by examiner

Primary Examiner—Lucy Lieberman

(74) *Attorney, Agent, or Firm*—Collen IP; Donald J. Ranft

(57) **CLAIM**

The ornamental design for a watch case, as shown and described.

DESCRIPTION

FIG. 1 is a front view of my new, original and ornamental design for a watch case;

FIG. 2 is a rear view thereof;

FIG. 3 is a left side view thereof;

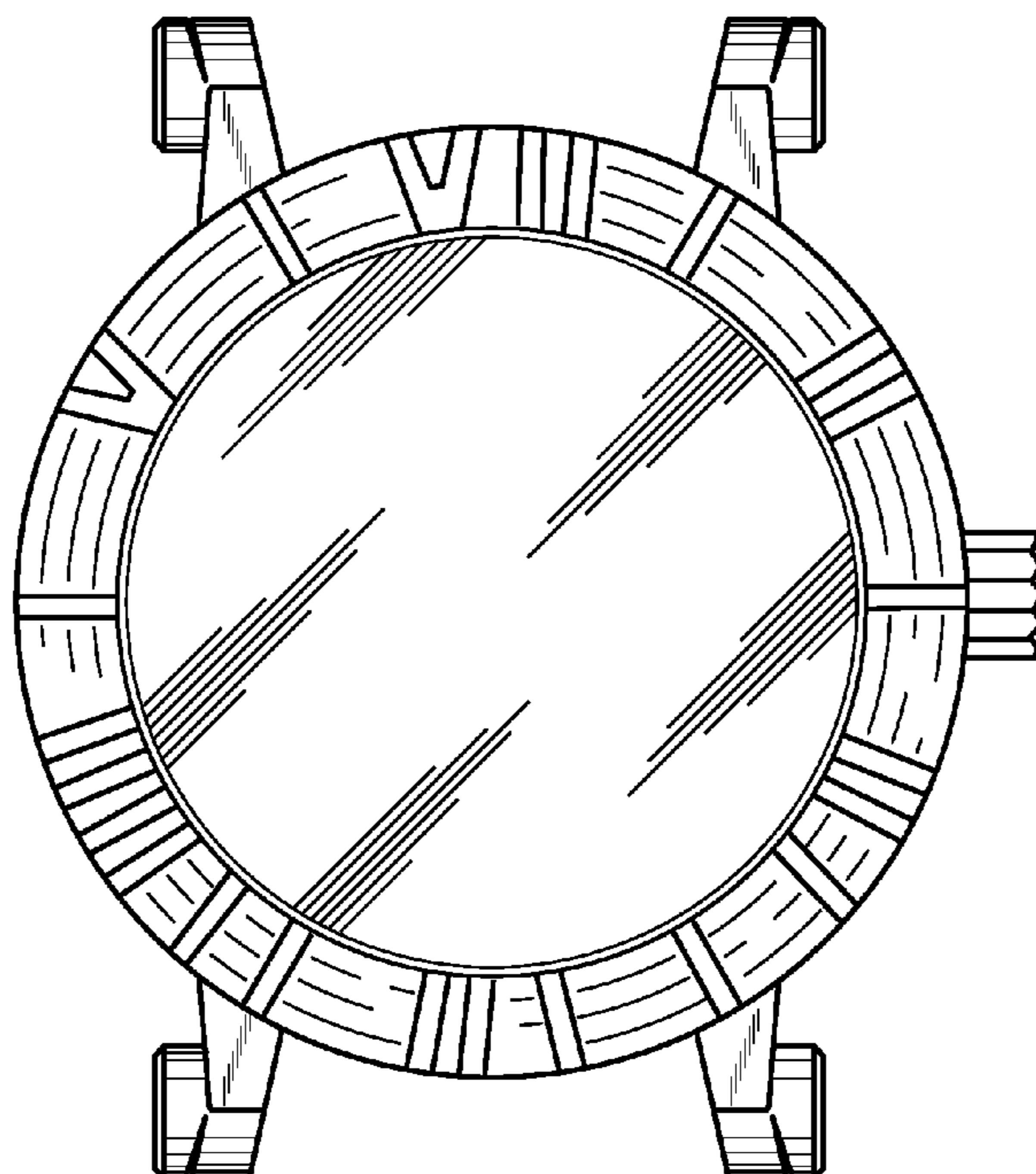
FIG. 4 is a right side view thereof;

FIG. 5 is a top view thereof;

FIG. 6 is a bottom view thereof; and,

FIG. 7 is a front perspective view thereof.

1 Claim, 4 Drawing Sheets



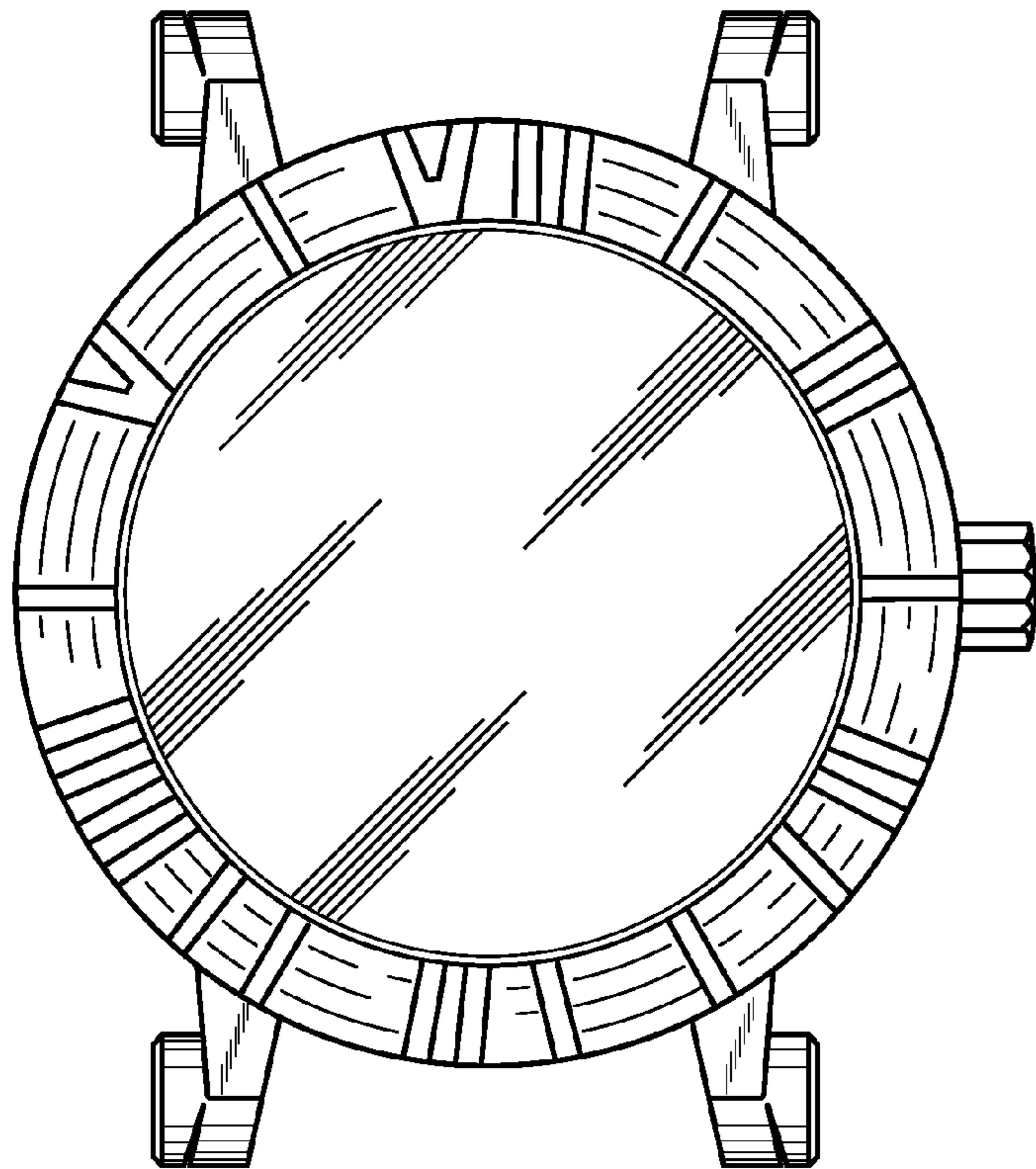


Fig. 1

Fig. 2

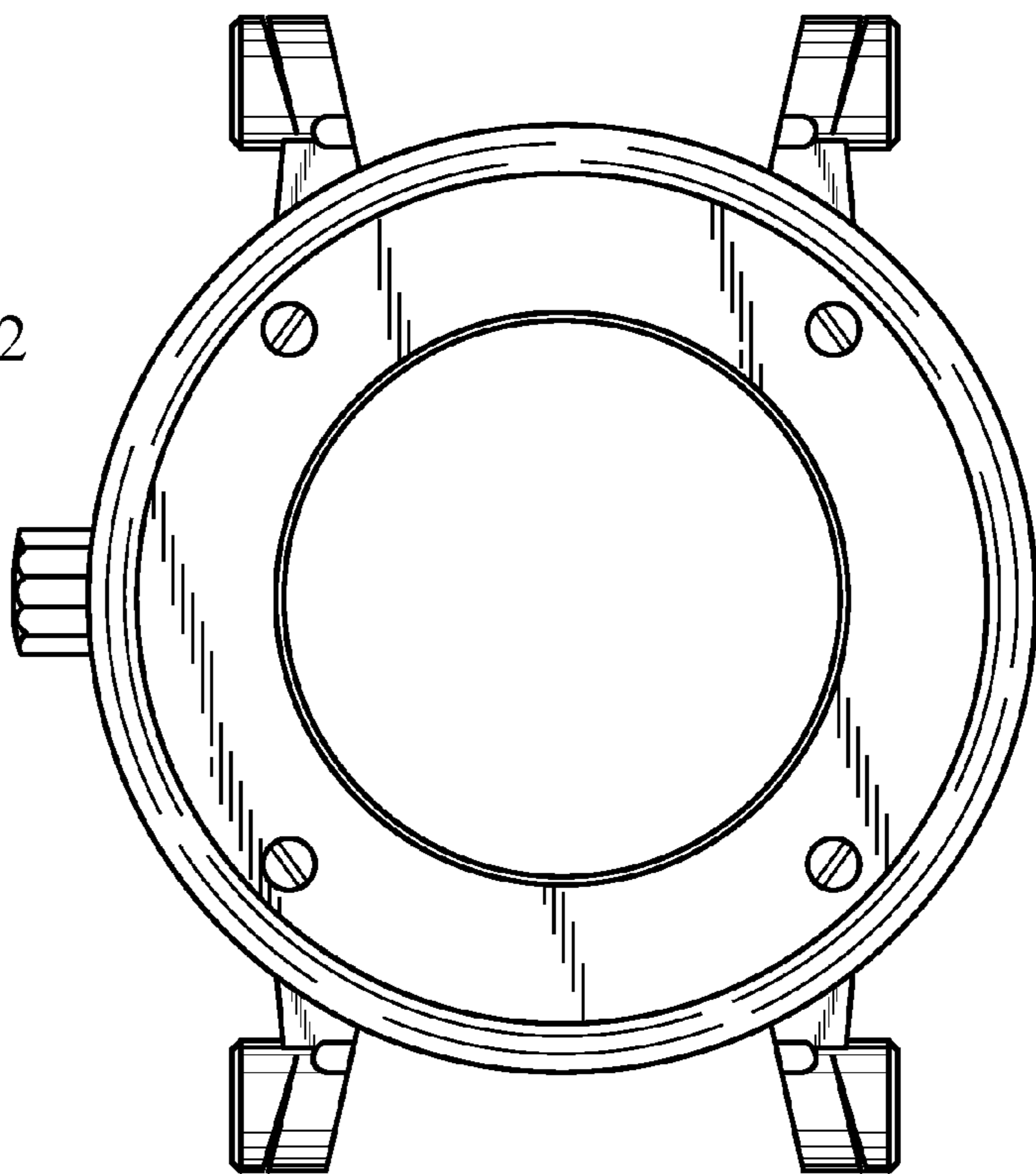


Fig. 3

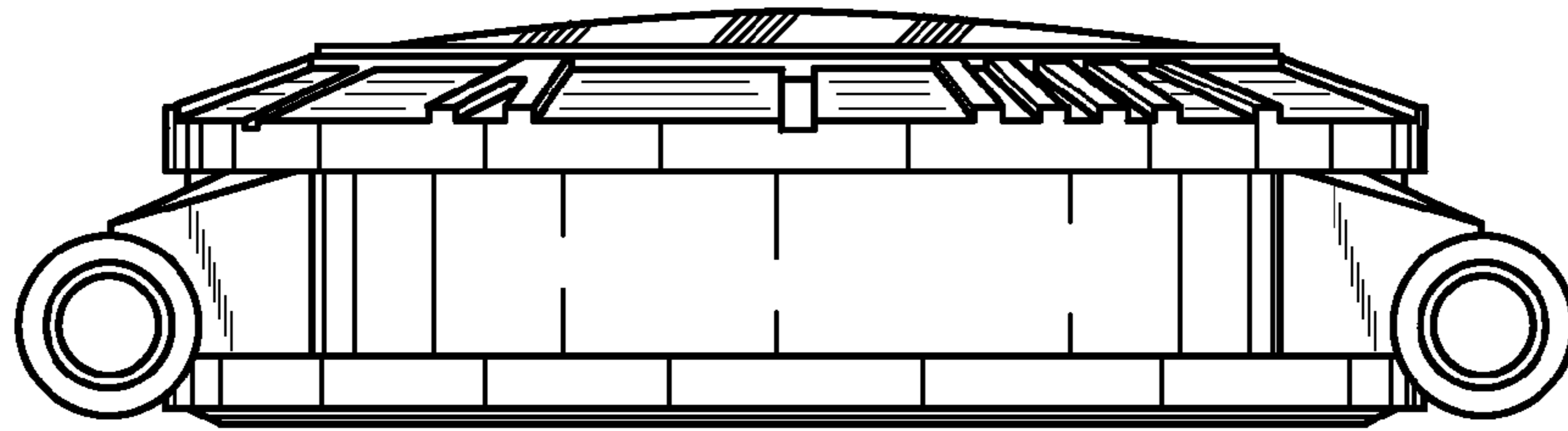


Fig. 4

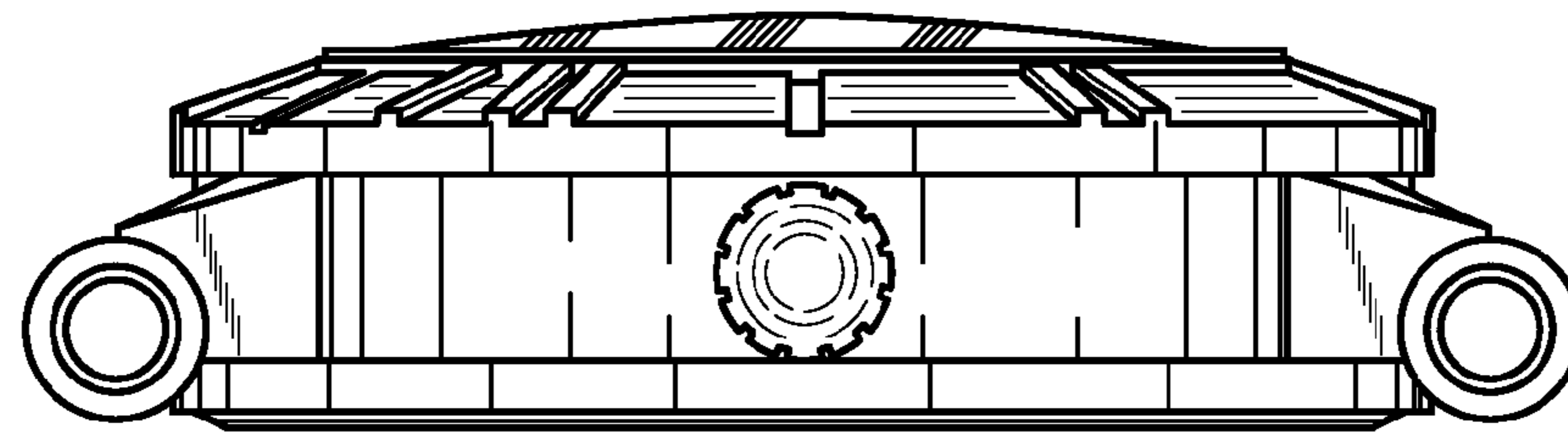


Fig. 5

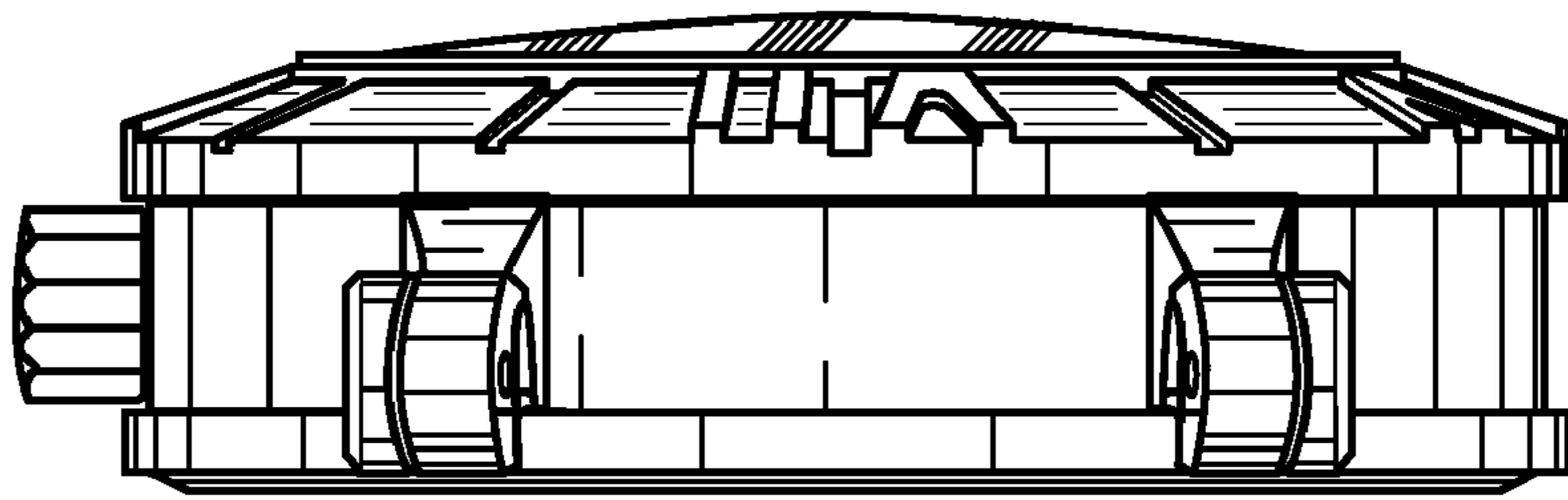


Fig. 6

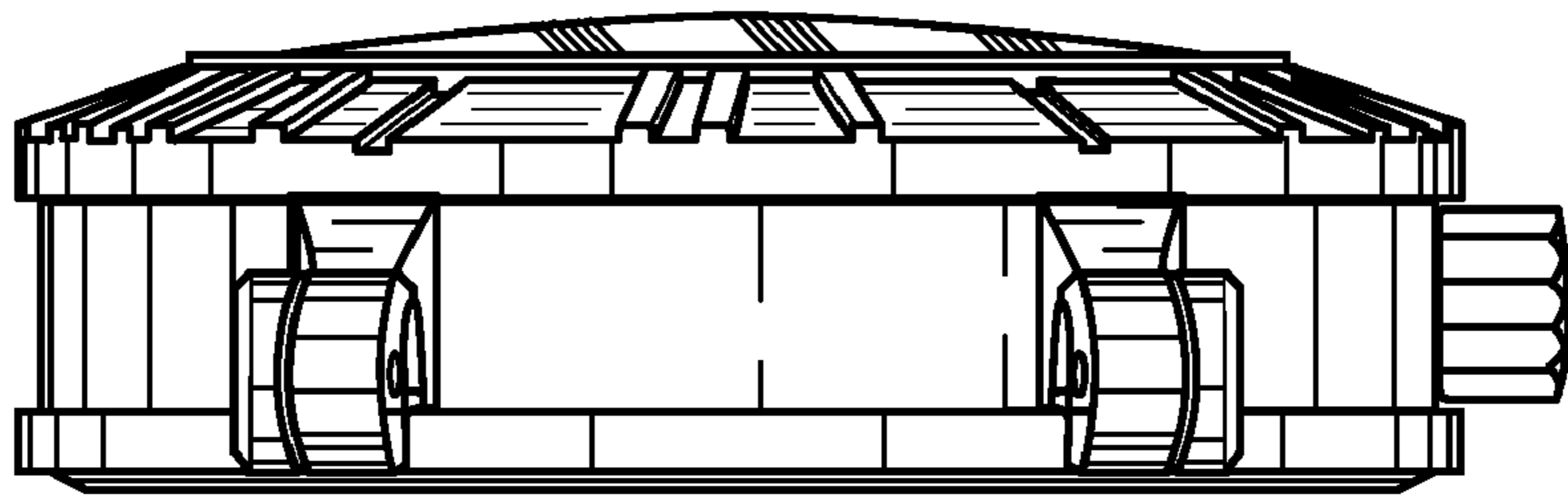


Fig. 7

