



US00D628498S

(12) **United States Design Patent**
Arellano

(10) **Patent No.:** **US D628,498 S**

(45) **Date of Patent:** **** Dec. 7, 2010**

(54) **WATCH CASE**

(75) Inventor: **Alphonse Arellano**, Lausanne (CH)

(73) Assignee: **Swatch AG (Swatch SA) (Swatch Ltd.)**,
Biel/Bienne (CH)

(**) Term: **14 Years**

(21) Appl. No.: **29/359,465**

(22) Filed: **Apr. 12, 2010**

(30) **Foreign Application Priority Data**

Oct. 12, 2009 (WO) DM/072 391

(51) **LOC (9) Cl.** **10-02**

(52) **U.S. Cl.** **D10/38**

(58) **Field of Classification Search** D10/30-39;
368/276, 281, 282, 285

See application file for complete search history.

(56) **References Cited**

U.S. PATENT DOCUMENTS

D77,296 S *	12/1928	Conant	D10/38
D246,576 S *	12/1977	Inaba	D10/30
D264,946 S *	6/1982	Hirabayashi	D10/38
D293,554 S *	1/1988	Sakamaki	D10/30
D340,414 S *	10/1993	DeGraeve	D10/39
D354,444 S *	1/1995	Pandel	D10/30
D361,278 S *	8/1995	Riley	D10/30
D420,293 S *	2/2000	Parmigiani	D10/30
D464,273 S *	10/2002	Nussbaum	D10/30
D474,117 S *	5/2003	Dubois	D10/30
6,655,831 B1 *	12/2003	Ruffieux	368/281

D491,820 S *	6/2004	Bitetto	D10/39
D493,111 S *	7/2004	Afshar	D10/32
D494,070 S *	8/2004	Debetaz	D10/32
D558,611 S *	1/2008	Wei	D10/38
D584,170 S *	1/2009	Morrison	D10/32
D588,942 S *	3/2009	Fasciano	D10/38
D593,877 S *	6/2009	Jorst et al.	D10/32
D598,301 S *	8/2009	Moritz	D10/32
D612,271 S *	3/2010	Lalo	D10/39
D613,621 S *	4/2010	Jorst et al.	D10/39
D615,880 S *	5/2010	Jorst et al.	D10/38

* cited by examiner

Primary Examiner—Lucy Lieberman

(74) *Attorney, Agent, or Firm*—Collen IP; Donald J. Ranft

(57) **CLAIM**

The ornamental design for a watch case, as shown and described.

DESCRIPTION

FIG. 1 is a front perspective of my new, original and ornamental design for a watch case;

FIG. 2 is a rear perspective thereof;

FIG. 3 is a front view thereof;

FIG. 4 is a rear view thereof;

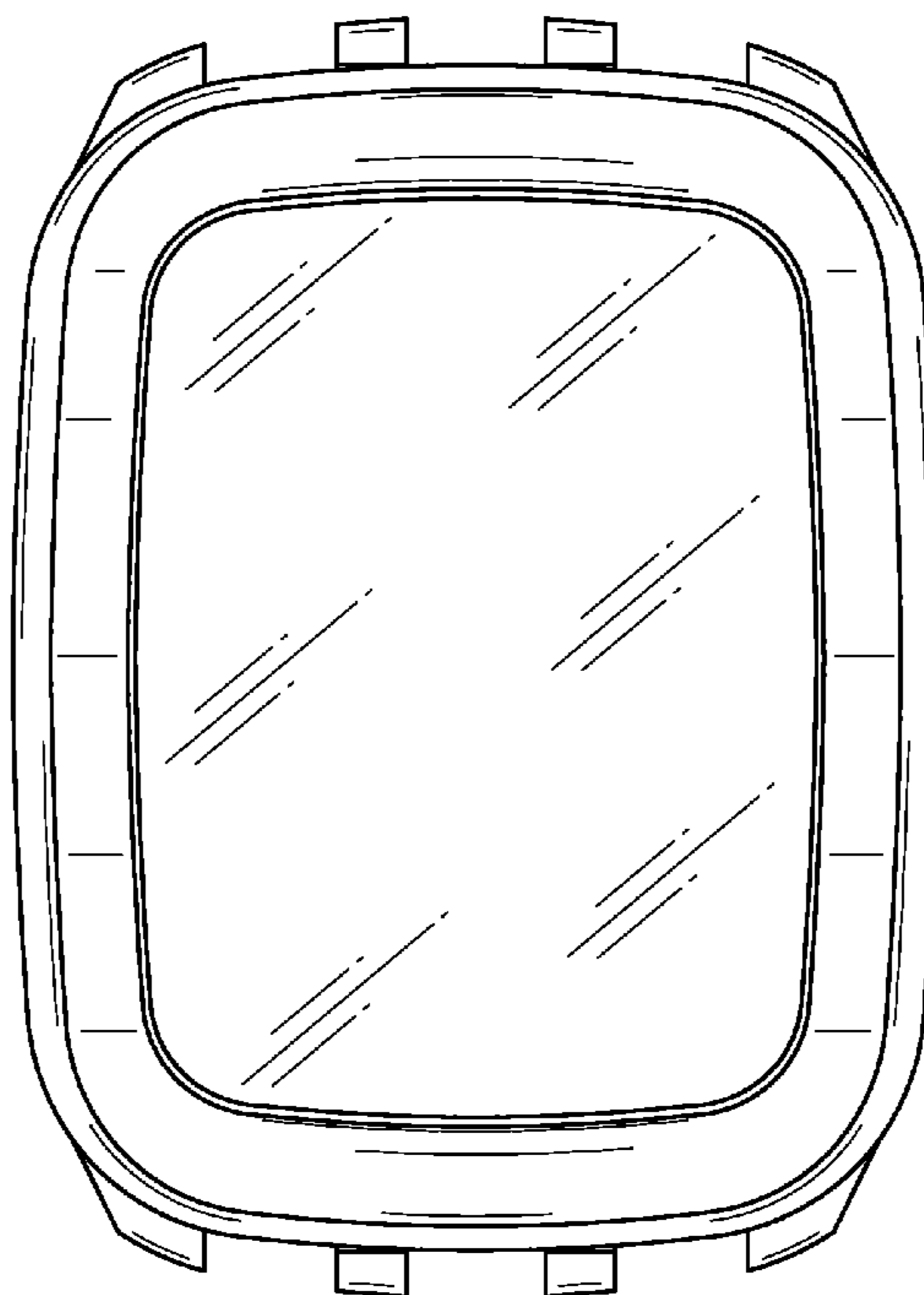
FIG. 5 is a right side view thereof;

FIG. 6 is a left side view thereof;

FIG. 7 is a top view thereof; and,

FIG. 8 is a bottom view thereof.

1 Claim, 4 Drawing Sheets



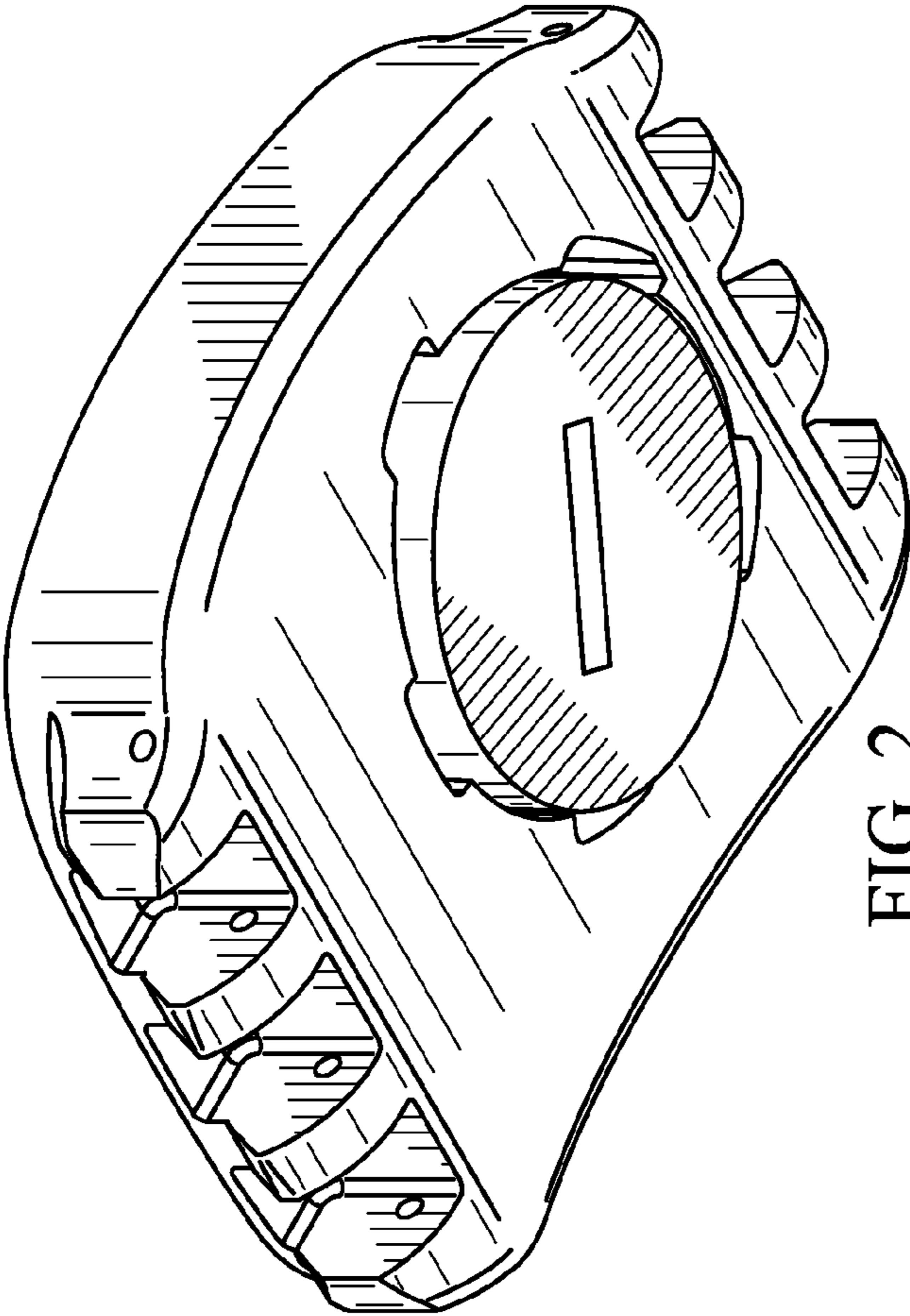


FIG. 2

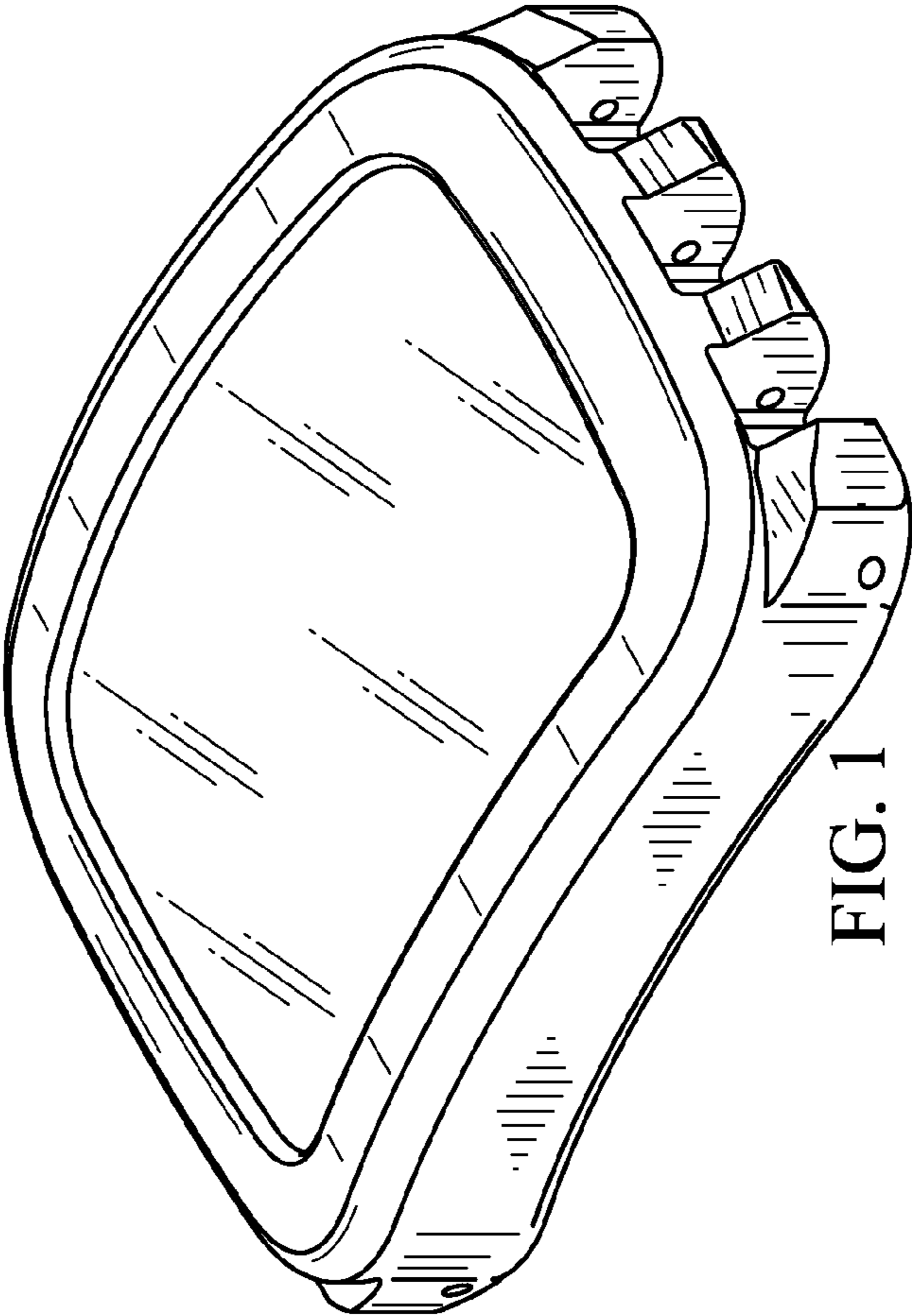


FIG. 1

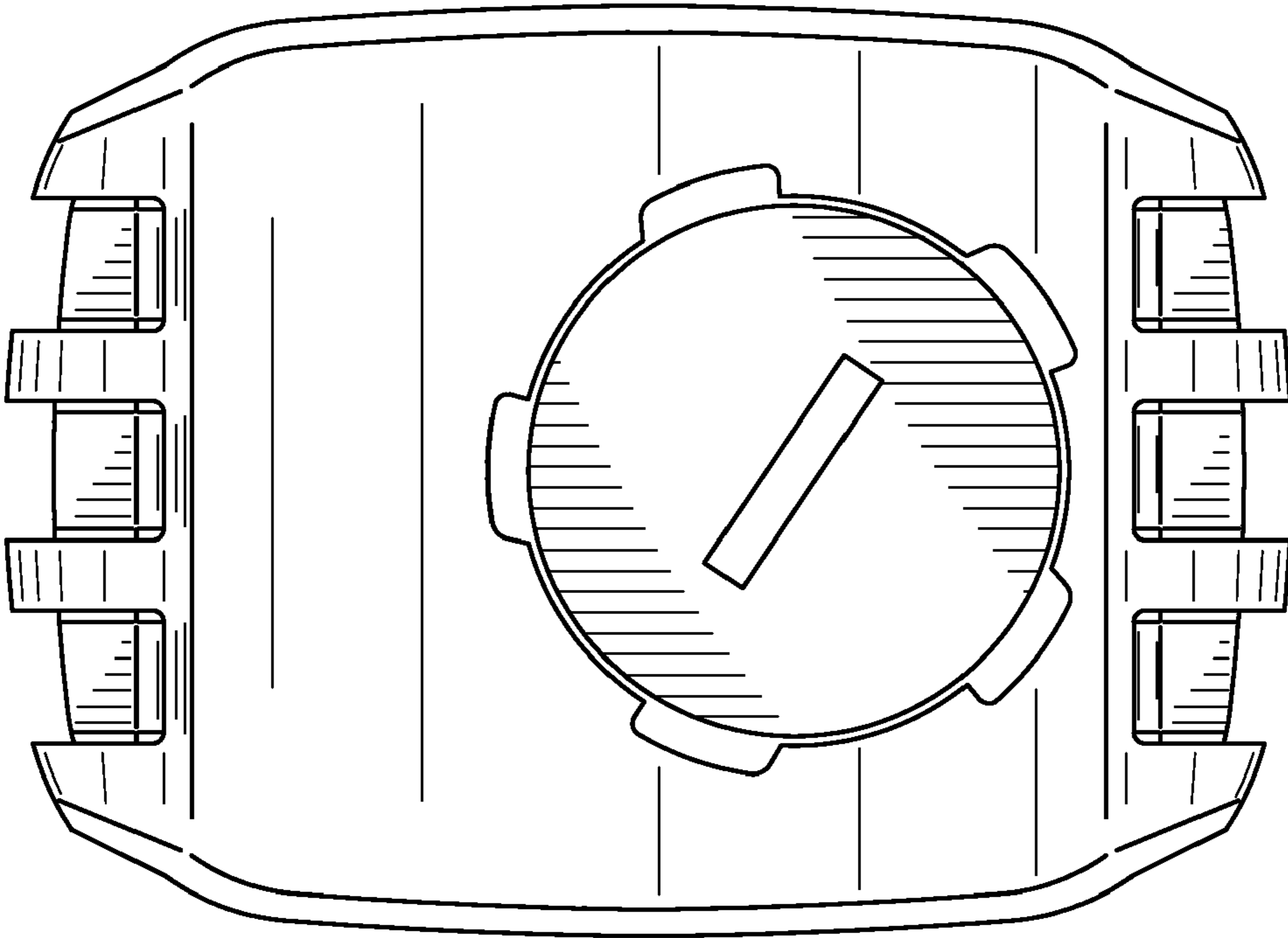


FIG. 4

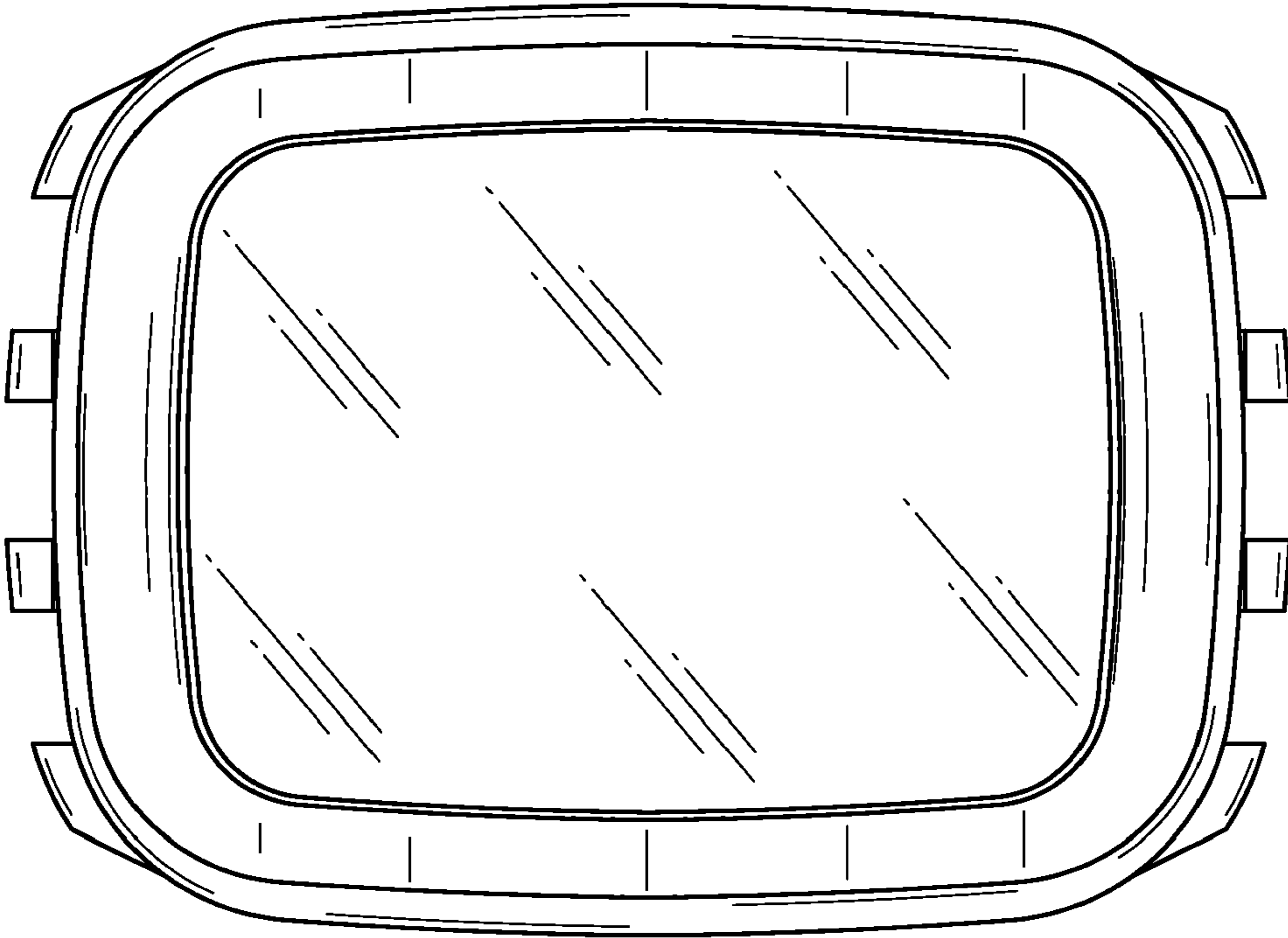


FIG. 3

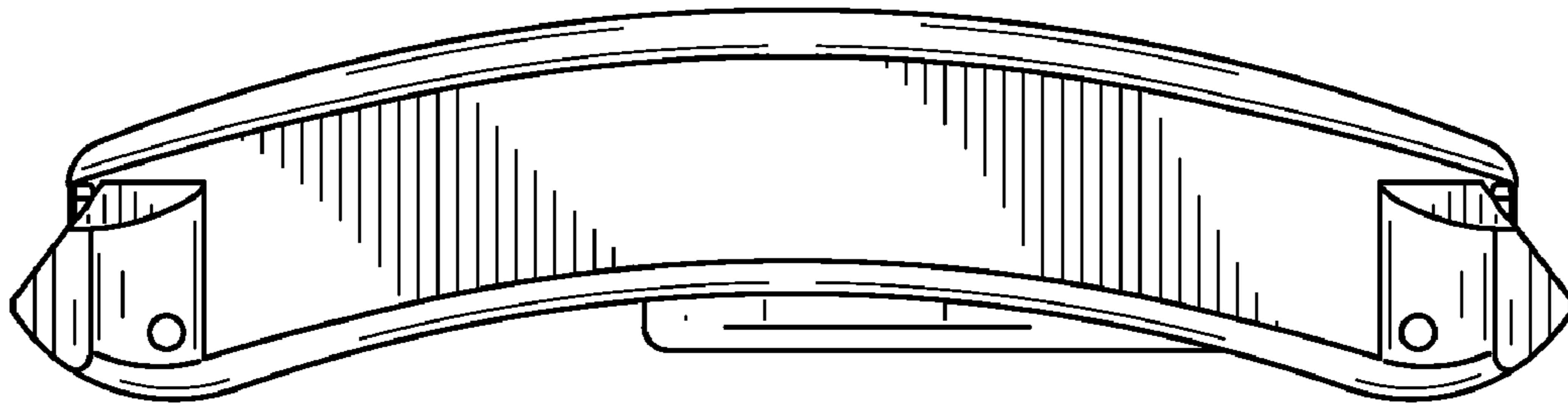


FIG. 6

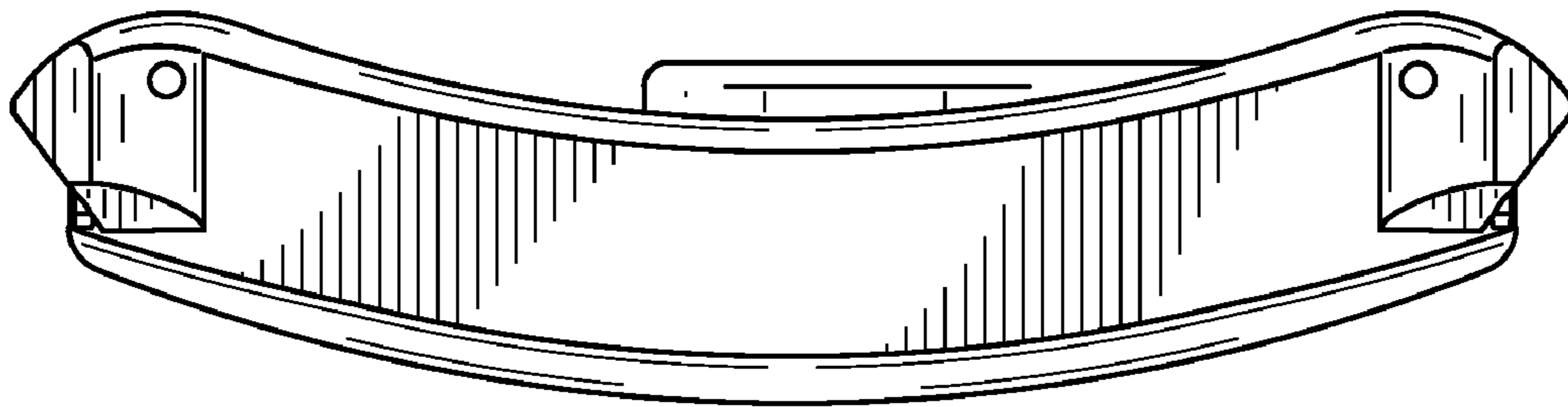


FIG. 5



FIG. 7



FIG. 8