



US00D628496S

(12) **United States Design Patent**
Wonderley et al.

(10) **Patent No.:** **US D628,496 S**

(45) **Date of Patent:** **** Dec. 7, 2010**

(54) **SHAVING RAZOR TRAY**

(75) Inventors: **Jeffrey W. Wonderley**, Fort Defiance,
VA (US); **Edward D. Furrow**,
Waynesboro, VA (US)

(73) Assignee: **American Safety Razor**, Verona, VA
(US)

(**) Term: **14 Years**

(21) Appl. No.: **29/358,254**

(22) Filed: **Mar. 24, 2010**

(51) **LOC (9) Cl.** **09-03**

(52) **U.S. Cl.** **D9/749**

(58) **Field of Classification Search** D9/749,
D9/737, 748, 415; D6/526, 512; D3/201,
D3/205; D28/44, 99, 73; 206/349, 228,
206/244, 252, 775, 208, 493, 354–360, 352;
30/541

See application file for complete search history.

(56) **References Cited**

U.S. PATENT DOCUMENTS

D256,995 S *	9/1980	Kiraly	D9/749
D370,844 S *	6/1996	Shurtleff et al.	D9/749
5,782,346 A *	7/1998	Gray et al.	206/228
D399,421 S *	10/1998	Gray	D9/749
D401,145 S *	11/1998	Gray	D9/749
D494,796 S *	8/2004	Dansreau et al.	D6/526
D524,169 S *	7/2006	Dansreau et al.	D9/749
D533,380 S *	12/2006	Dansreau et al.	D6/526
D533,466 S *	12/2006	Wonderley et al.	D9/749
D534,815 S *	1/2007	White	D9/749

7,159,324 B2 *	1/2007	Worrick, III	30/541
D542,675 S *	5/2007	Luxton et al.	D9/749
D546,199 S *	7/2007	Gray et al.	D9/749
D555,958 S *	11/2007	Takeshita	D6/526
D558,606 S *	1/2008	Watson et al.	D9/749
D571,591 S *	6/2008	Ramm et al.	D6/526
D572,150 S *	7/2008	Stowers et al.	D9/749
D588,387 S *	3/2009	Micinilio et al.	D6/526
D594,762 S *	6/2009	Stowers et al.	D9/749
D596,434 S *	7/2009	Micinilio et al.	D6/526
D614,507 S *	4/2010	Lukan et al.	D9/749
2007/0220754 A1 *	9/2007	Barbaro et al.	30/41
2009/0019701 A1 *	1/2009	Simms et al.	30/32

* cited by examiner

Primary Examiner—Mark A Goodwin

(74) *Attorney, Agent, or Firm*—McDermott Will & Emery
LLP

(57) **CLAIM**

The ornamental design for a shaving razor tray, as shown and described.

DESCRIPTION

FIG. 1 is a front perspective view of the shaving razor tray, showing the new design;

FIG. 2 is a front view of the shaving razor tray;

FIG. 3 is a rear view of the shaving razor tray;

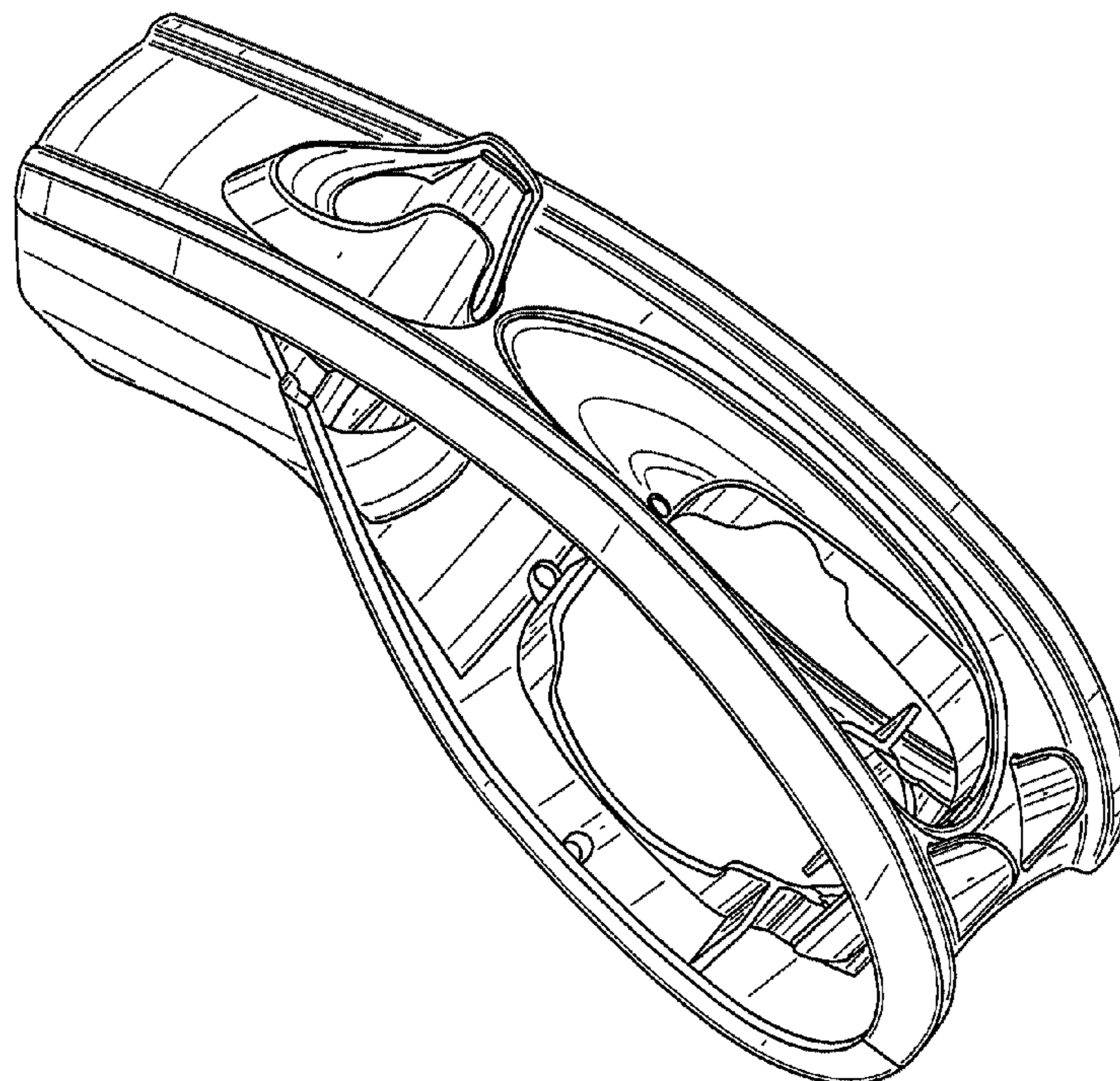
FIG. 4 is a side view of the shaving razor tray;

FIG. 5 is another side view of the shaving razor tray;

FIG. 6 is a top view of the shaving razor tray; and,

FIG. 7 is a bottom view of the shaving razor tray.

1 Claim, 5 Drawing Sheets



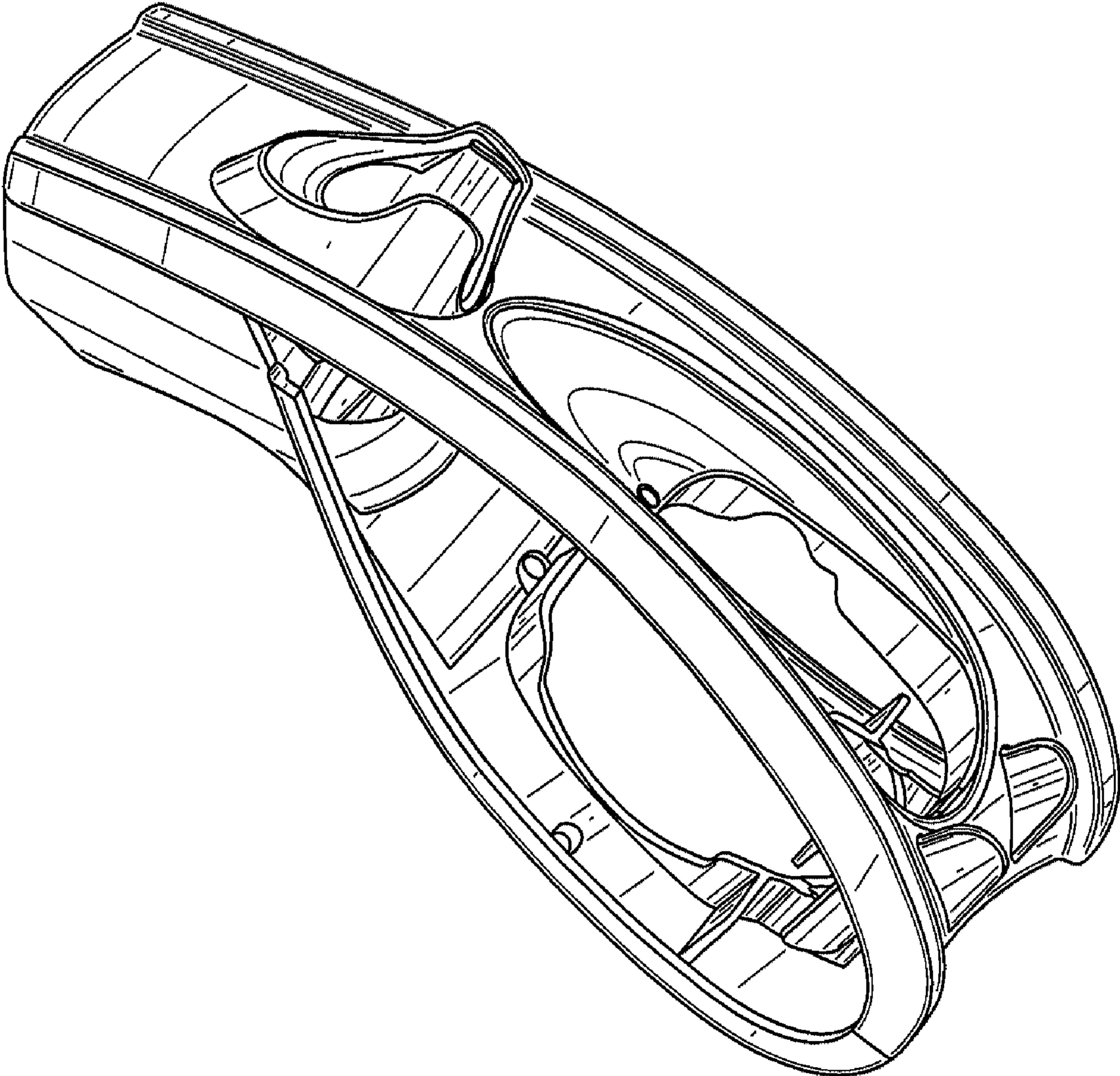


FIG. 1

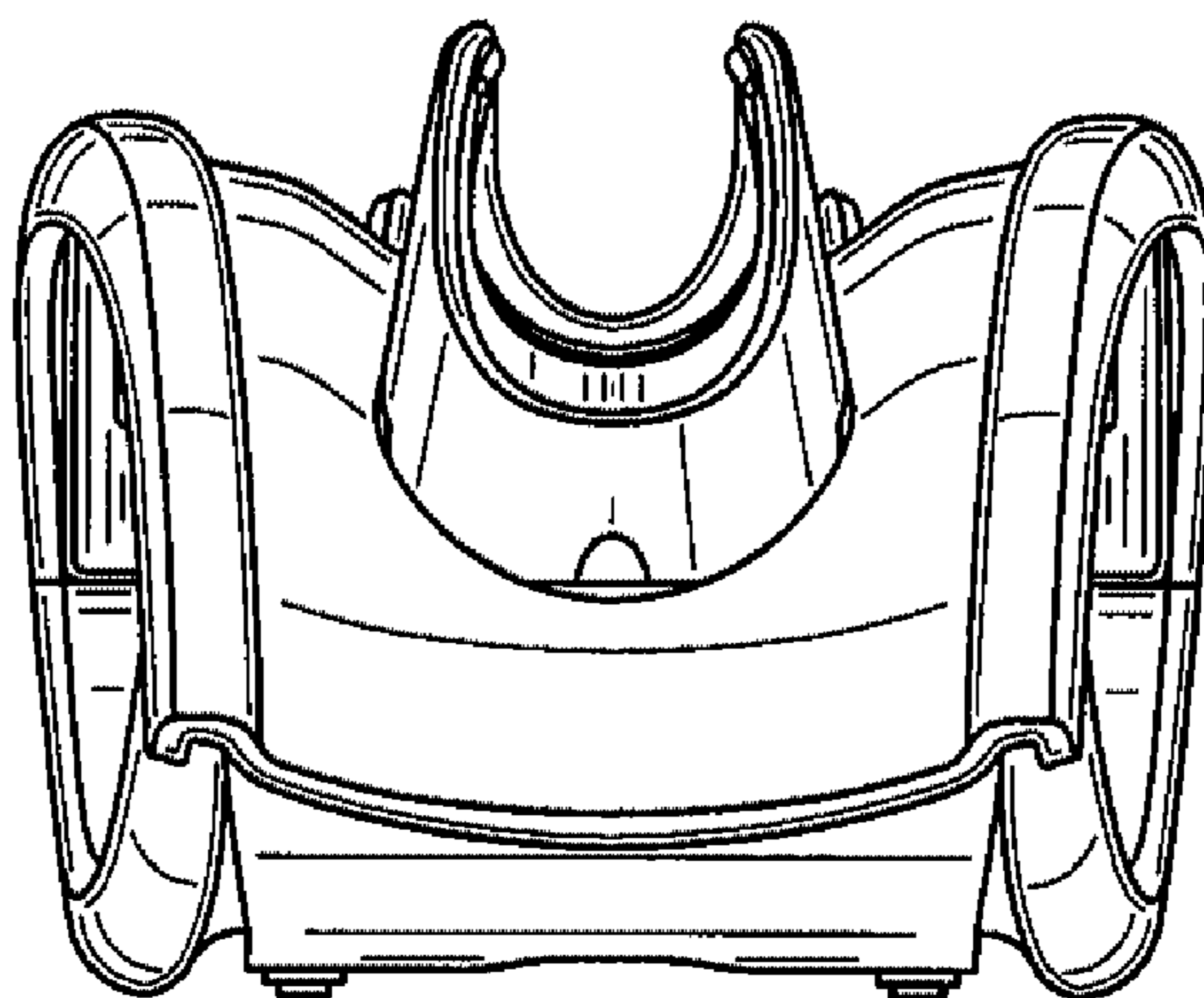


FIG. 2

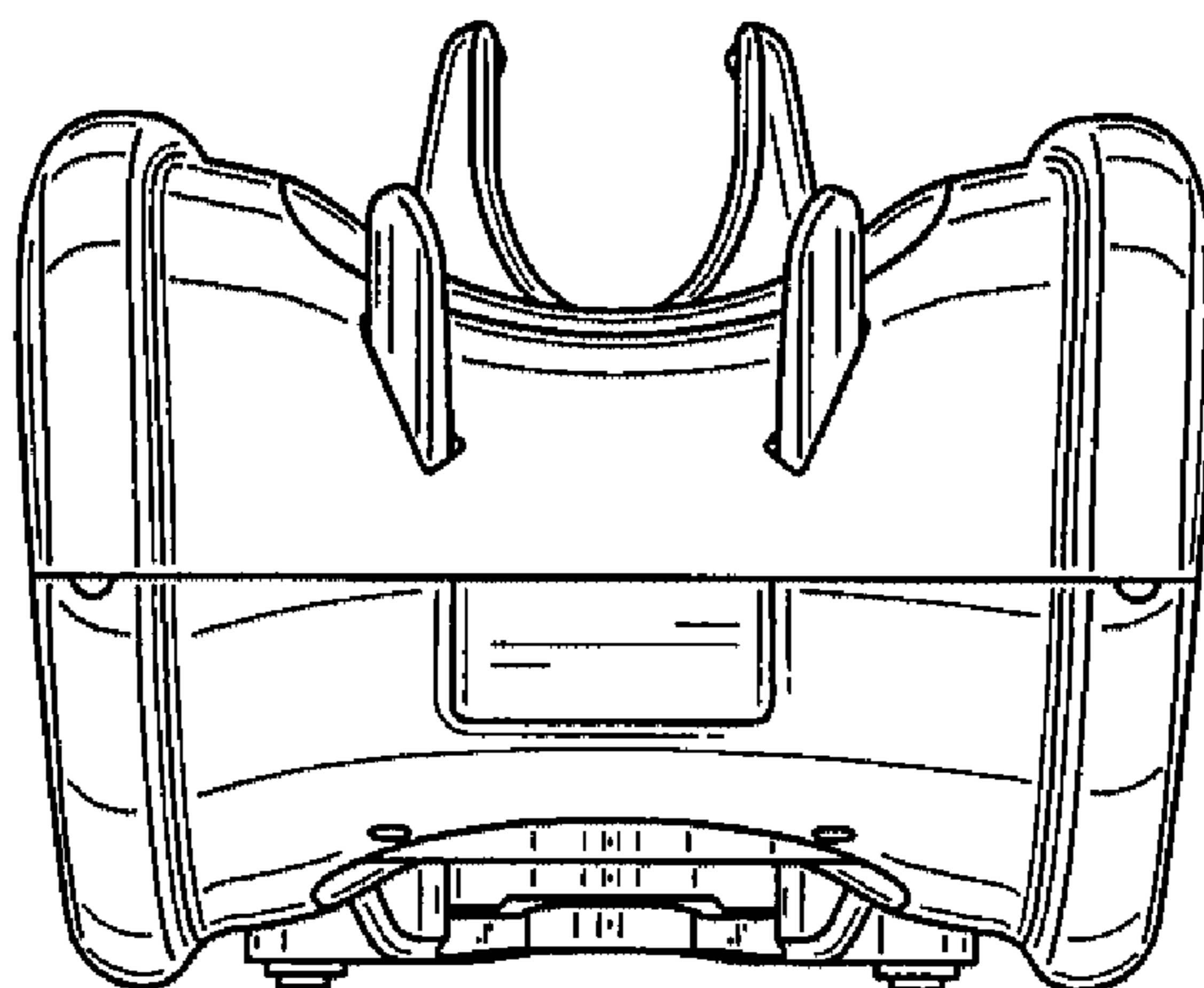


FIG. 3

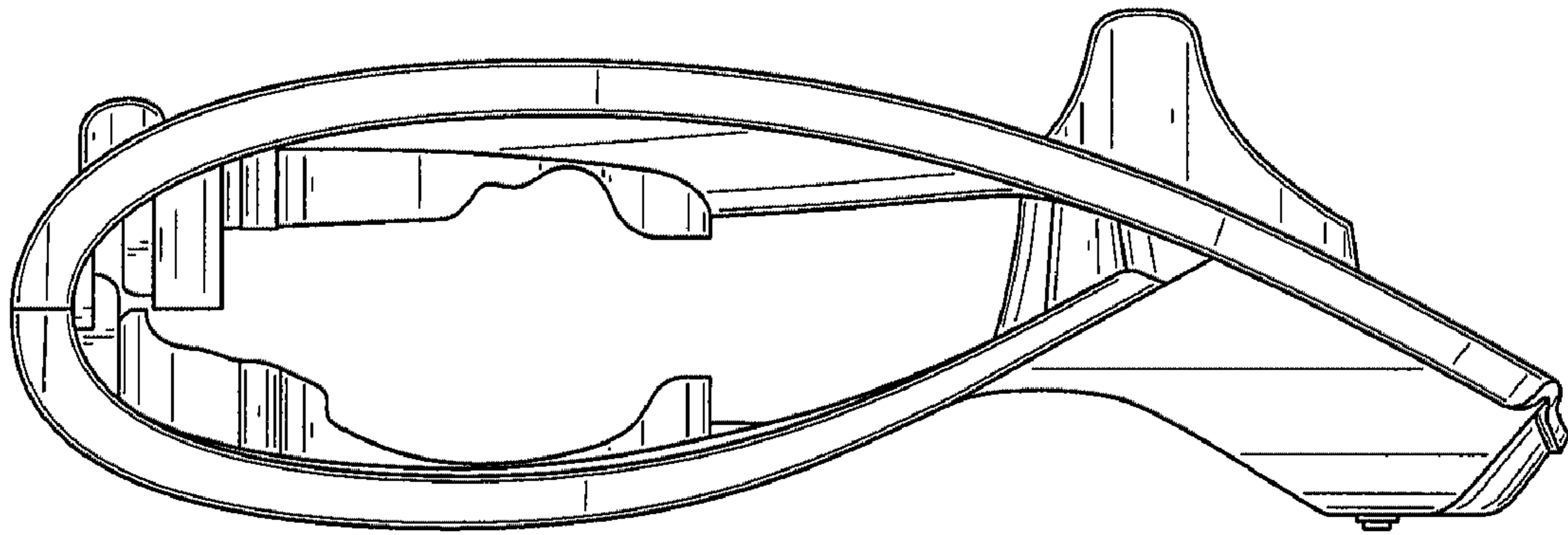


FIG. 4

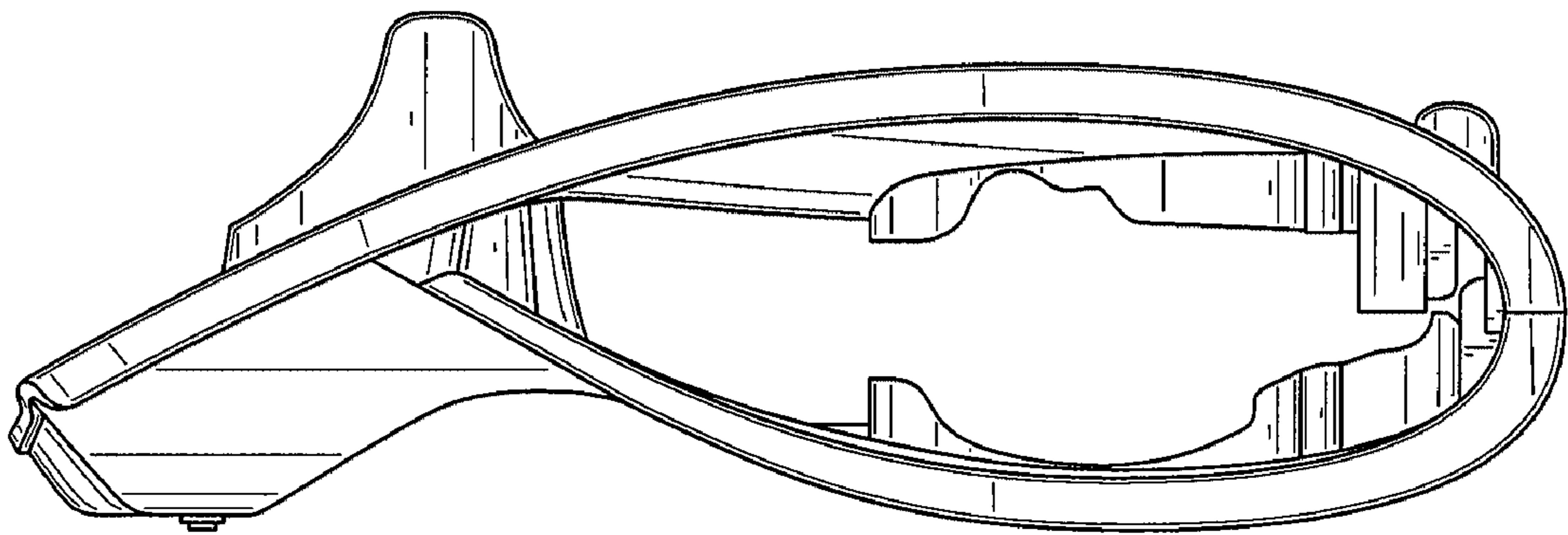


FIG. 5

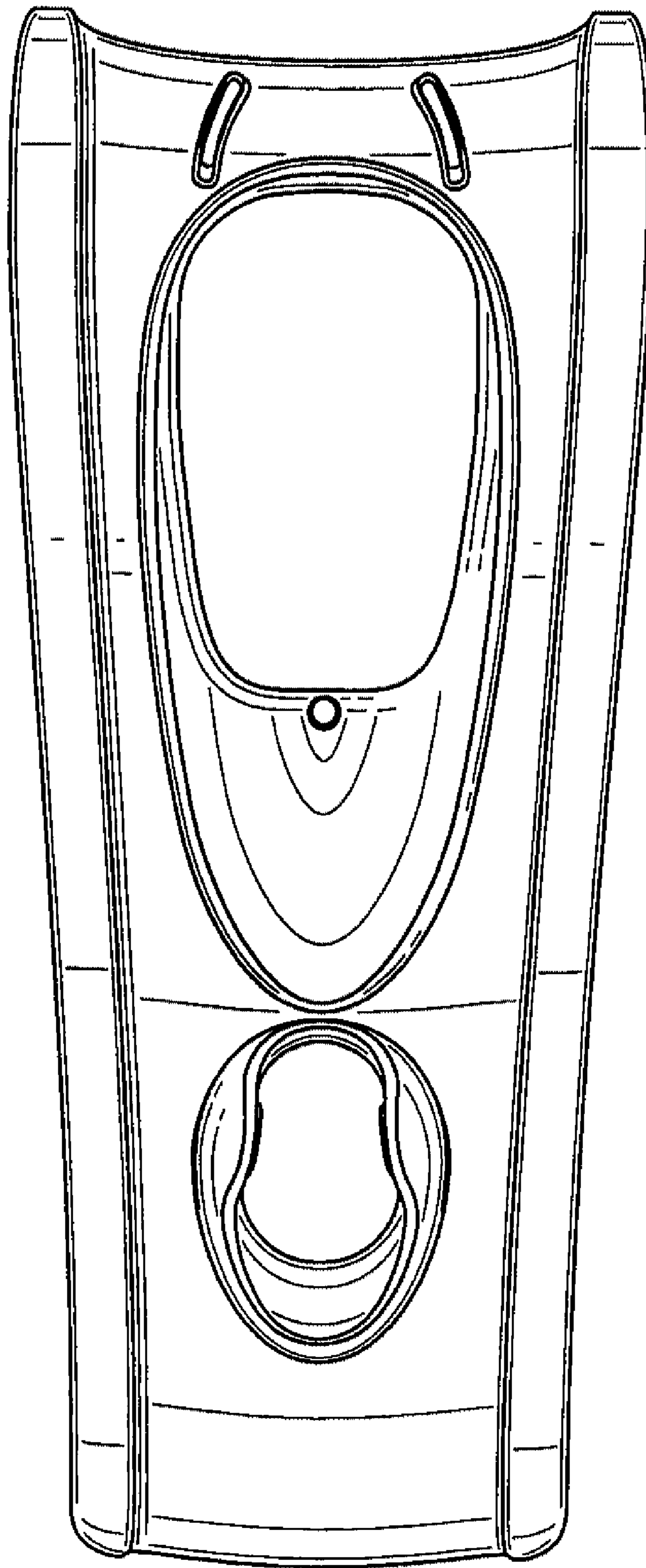


FIG. 6

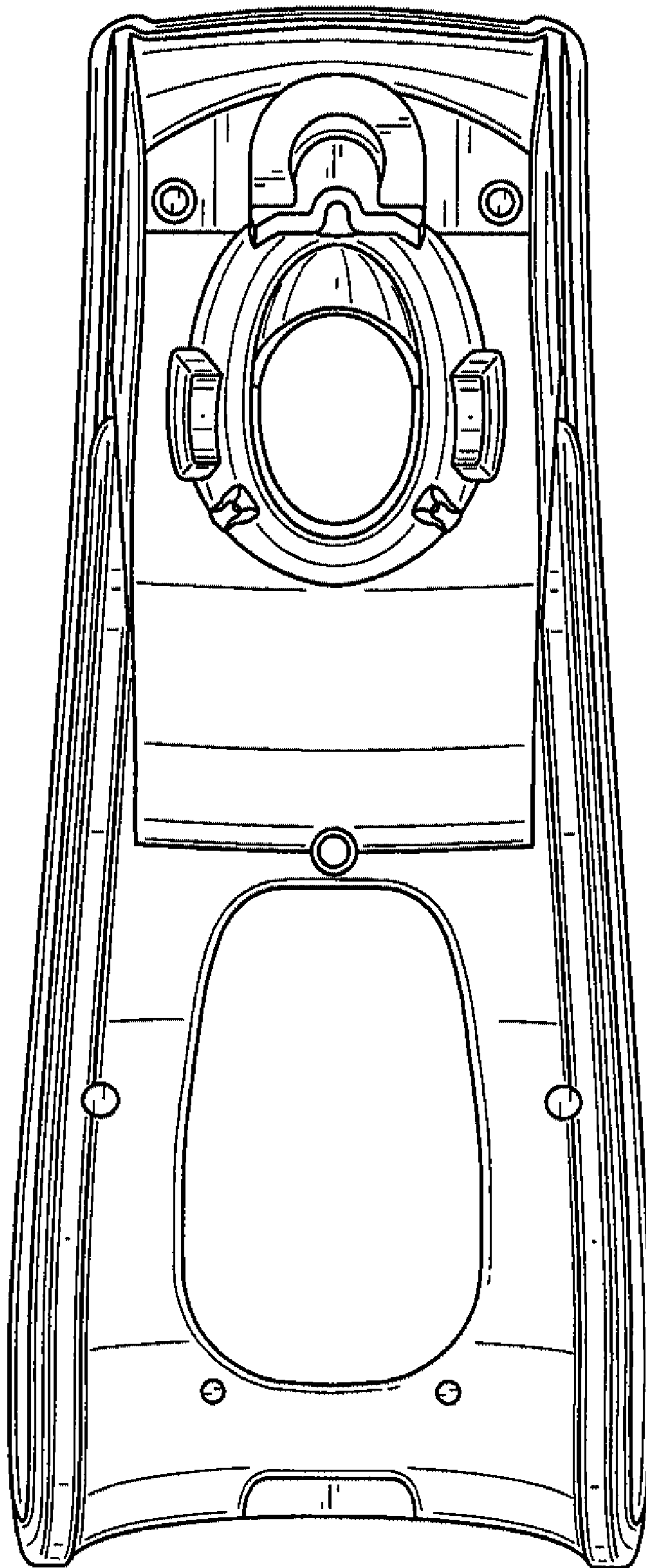


FIG. 7