



US00D628495S

(12) **United States Design Patent**
Sheikh et al.

(10) **Patent No.:** **US D628,495 S**

(45) **Date of Patent:** **** Dec. 7, 2010**

(54) **SANITIZER DISPENSER**

D601,037 S 9/2009 Beyer

(76) Inventors: **Tauseef A. Sheikh**, 7371 NW. 44th La.,
Coconut Creek, FL (US) 33073; **Maria**
Elpidia Sheikh, 7371 NW. 44th La.,
Coconut Creek, FL (US) 33073

* cited by examiner

Primary Examiner—Shanda C Hill
(74) *Attorney, Agent, or Firm*—QuickPatents, Inc.; Kevin
Prince

(**) Term: **14 Years**

(21) Appl. No.: **29/361,806**

(22) Filed: **May 14, 2010**

(51) **LOC (9) Cl.** **09-03**

(52) **U.S. Cl.** **D9/733**

(58) **Field of Classification Search** D9/414;
D19/26-33; 229/120, 125.05, 125.08, 125.09,
229/125.14

See application file for complete search history.

(56) **References Cited**

U.S. PATENT DOCUMENTS

D215,817 S	11/1969	Gorman	
D309,959 S	8/1990	Endelson	
D340,185 S	10/1993	Martone	
D362,618 S	9/1995	Paling	
D378,733 S	4/1997	Asaff	
D425,786 S	5/2000	Voller	
D438,346 S	2/2001	Thorpe	
D444,060 S	6/2001	Elsener, Sr.	
D464,567 S *	10/2002	Baerenwald et al.	D9/432
D485,754 S *	1/2004	Fielder et al.	D9/416
D491,314 S	6/2004	Cousins	
D496,271 S *	9/2004	Hoeltgen	D9/424
D513,584 S *	1/2006	Solowiejko et al.	D9/417
D523,352 S *	6/2006	Rathbone et al.	D9/733
D537,338 S *	2/2007	Jackson	D9/416
D550,770 S *	9/2007	Bharma	D19/26
D559,465 S	1/2008	Jenkins	
D573,637 S *	7/2008	Bharma	D19/26
D582,785 S	12/2008	Navarro	
D593,420 S	6/2009	Augenbraun	

(57) **CLAIM**

The ornamental design for a sanitizer dispenser, as shown and described.

DESCRIPTION

FIG. 1 is a perspective view of a sanitizer dispenser showing our new design;

FIG. 2 is a perspective view of the sanitizer dispenser shown in an extended position;

FIG. 3 is a left-side elevational view thereof;

FIG. 4 is a top plan view thereof;

FIG. 5 is a rear elevational view thereof;

FIG. 6 is a right-side elevational view thereof;

FIG. 7 is a bottom plan view thereof;

FIG. 8 is a perspective view thereof, illustrated with the dispenser nozzle in an extended position;

FIG. 9 is a front elevational view thereof;

FIG. 10 is a left-side elevational view thereof;

FIG. 11 is a top plan view thereof;

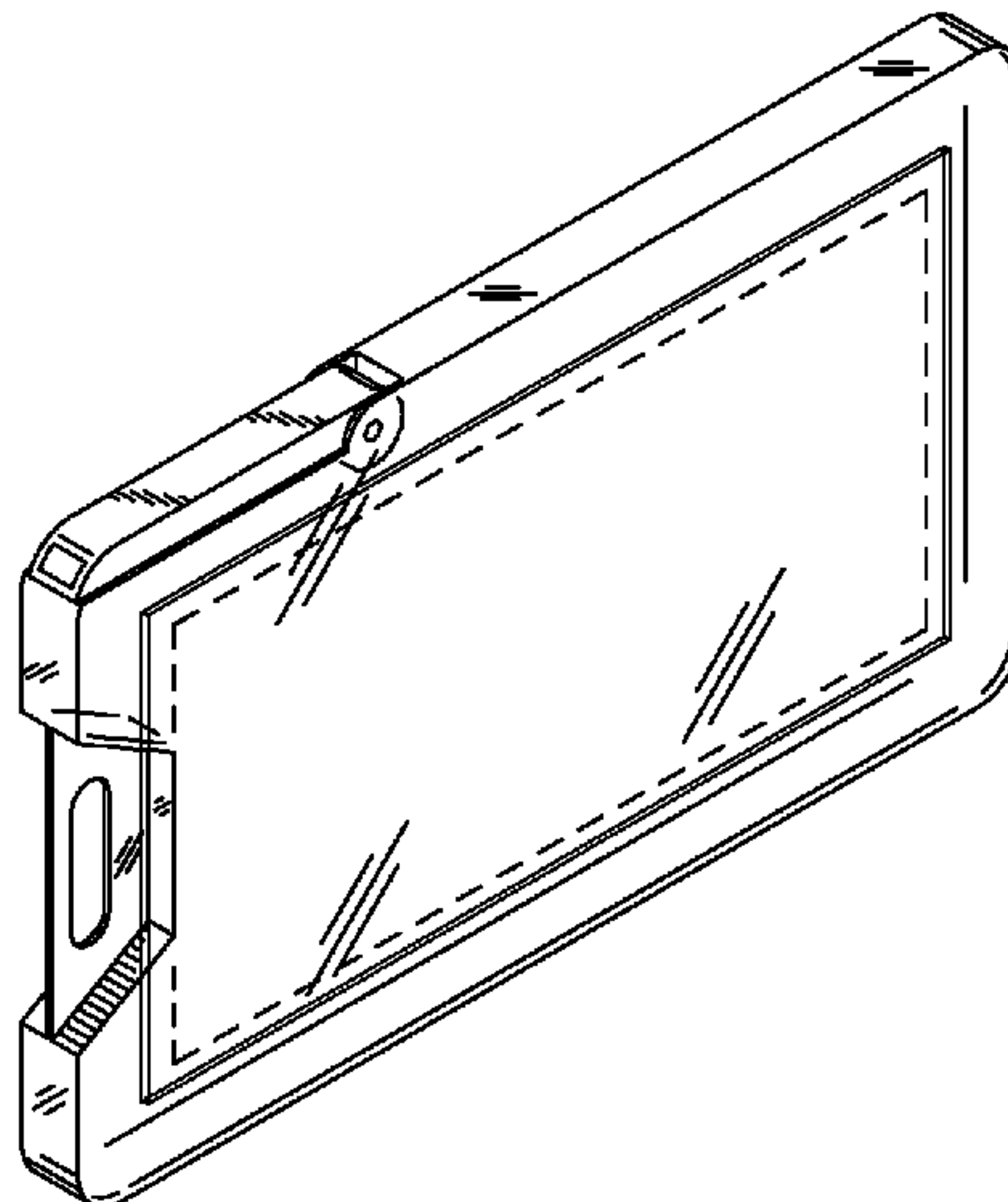
FIG. 12 is a rear elevational view thereof;

FIG. 13 is a right-side elevational view thereof; and,

FIG. 14 is a bottom plan view thereof.

The broken lines shown in the drawing disclosure are for illustrative purposes only and form no part of the claimed design.

1 Claim, 4 Drawing Sheets



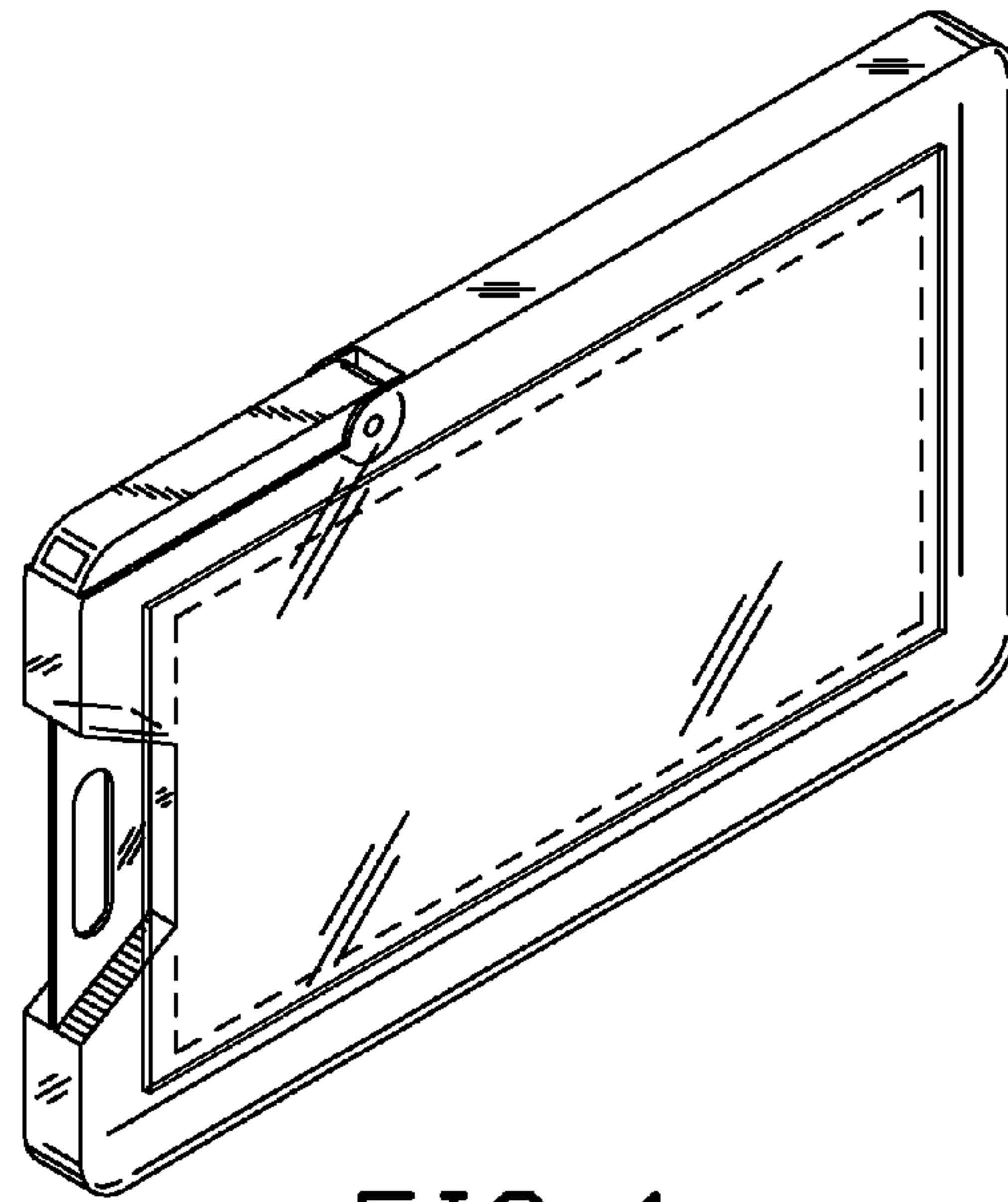


FIG. 1

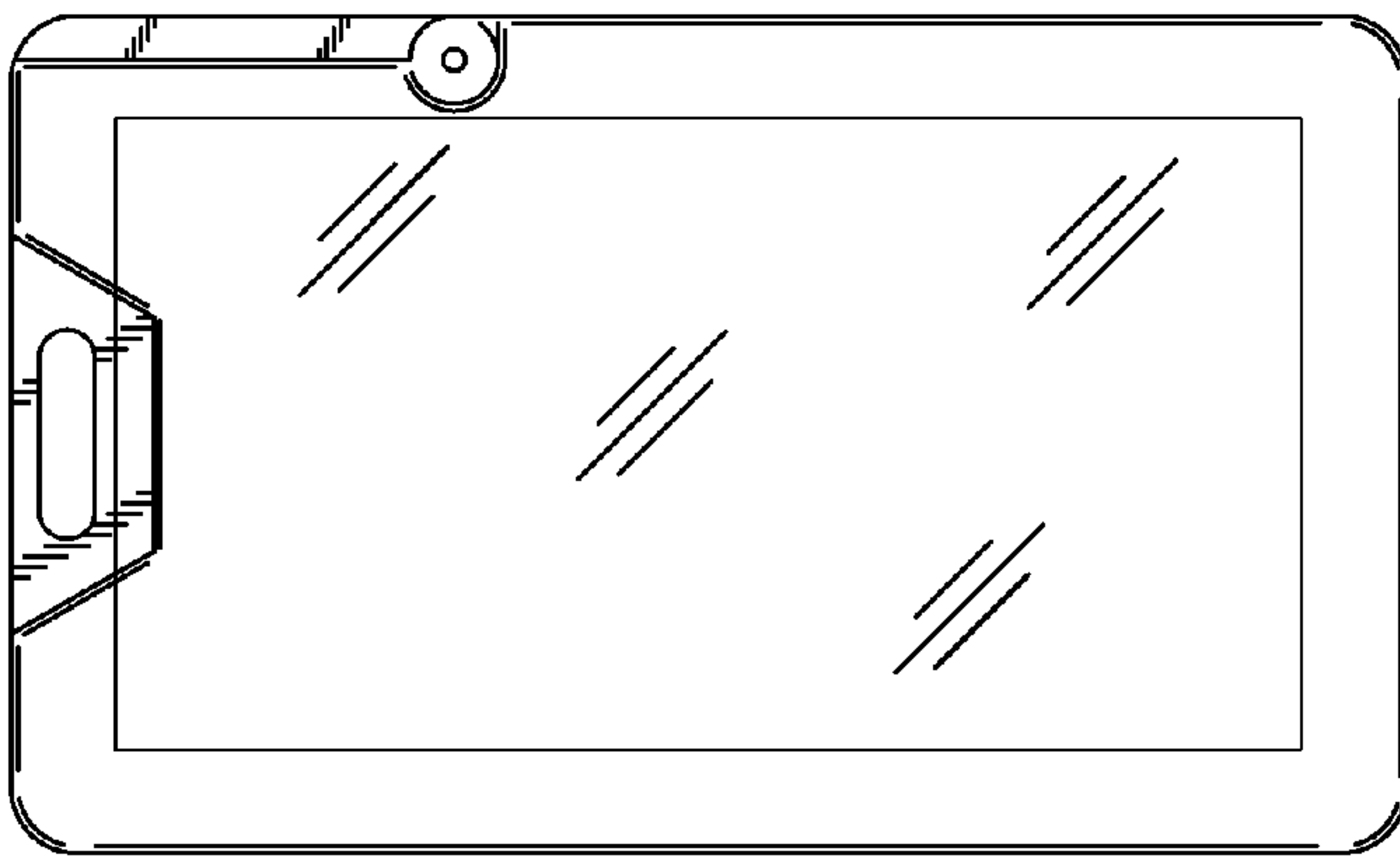


FIG. 2

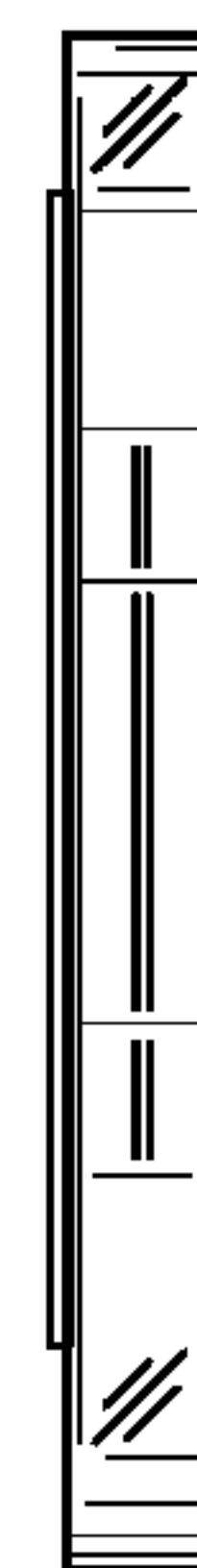


FIG. 3



FIG. 4

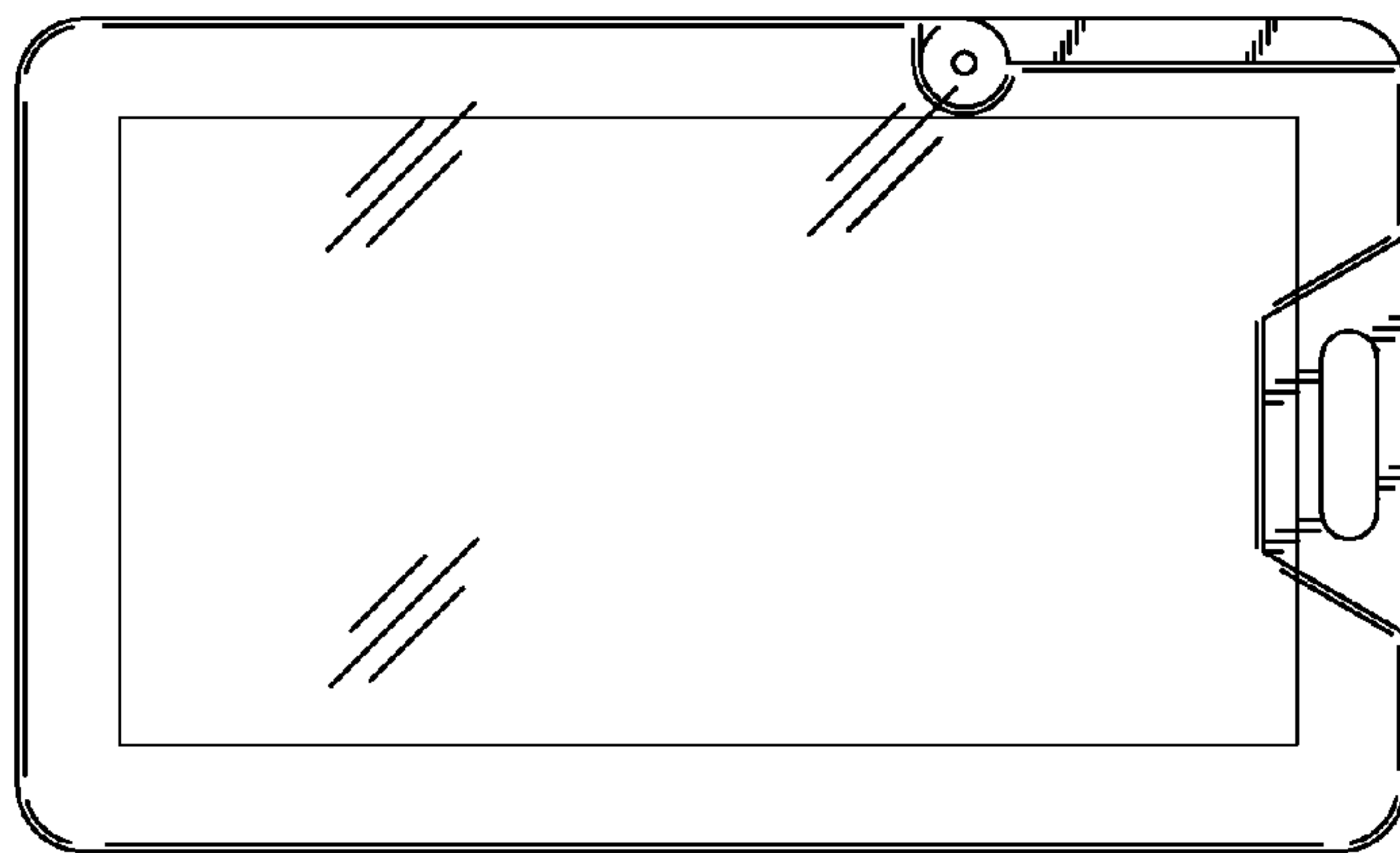


FIG. 5



FIG. 6

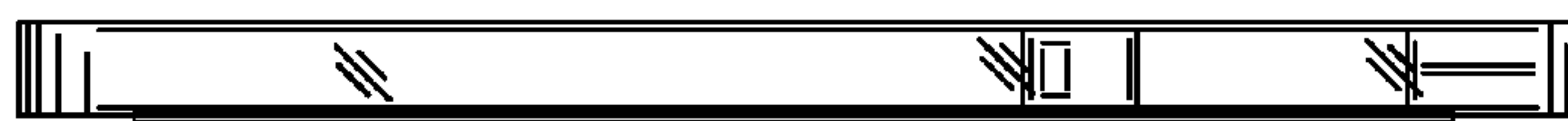


FIG. 7

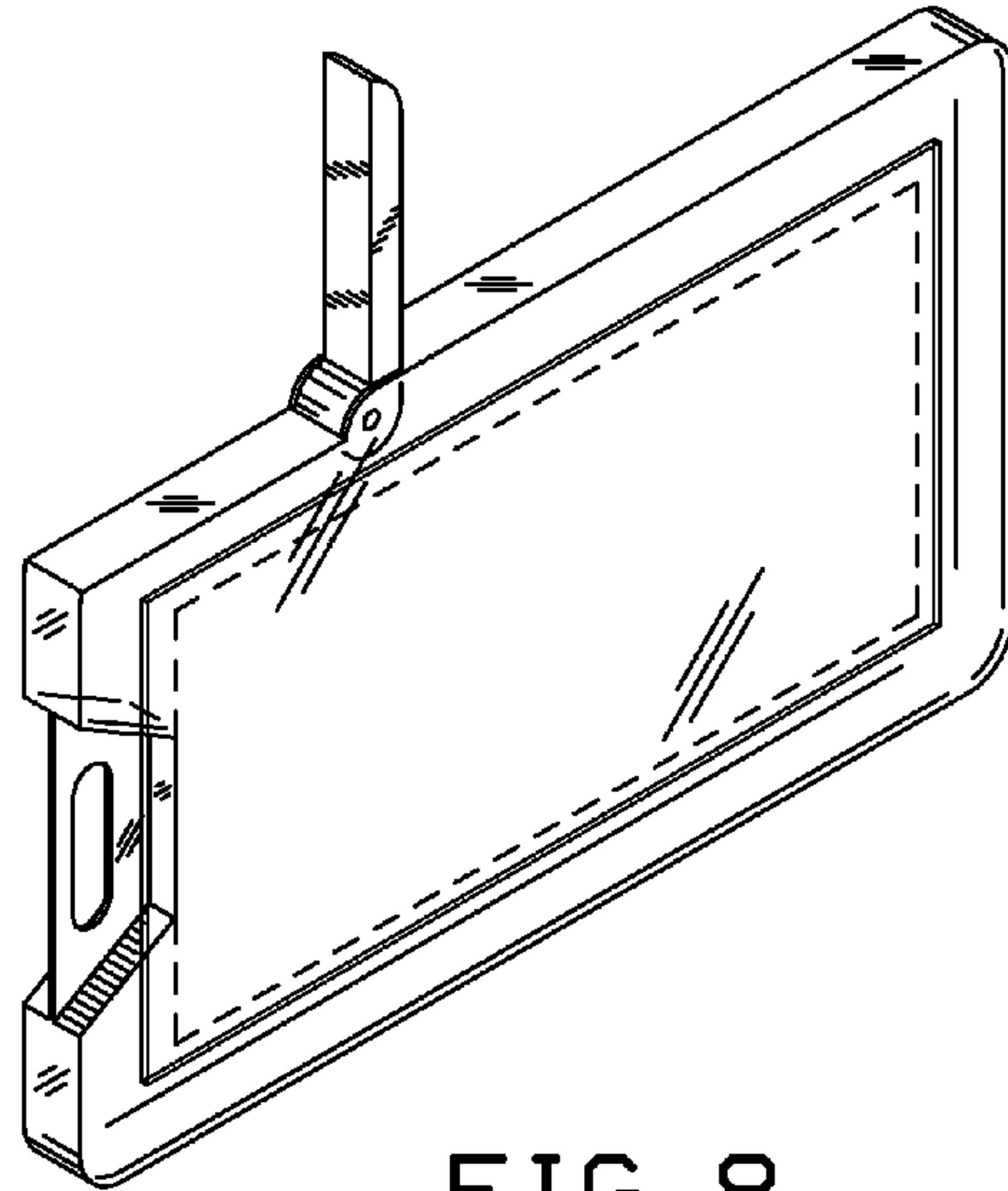


FIG. 8

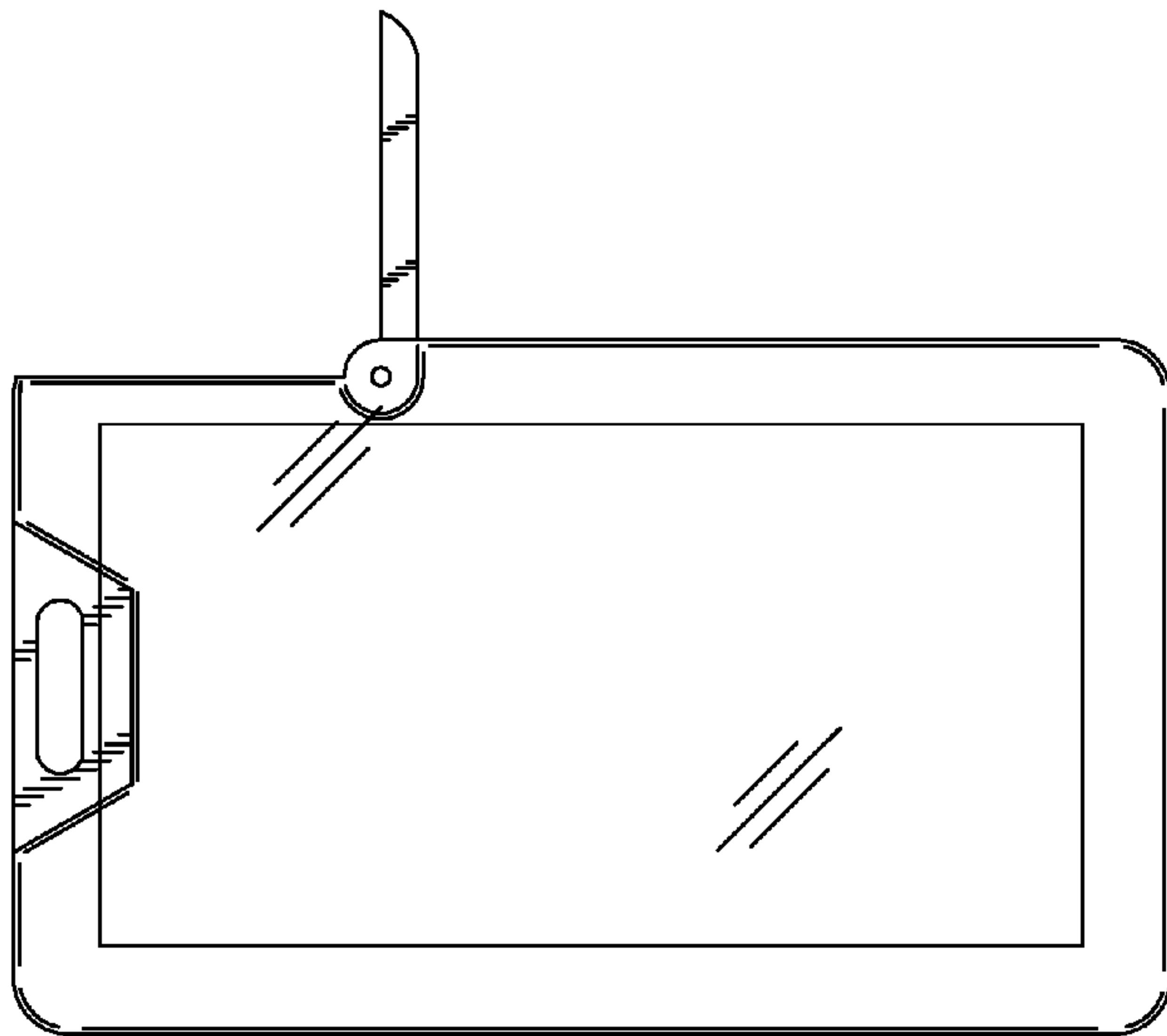


FIG. 9



FIG. 10



FIG. 11

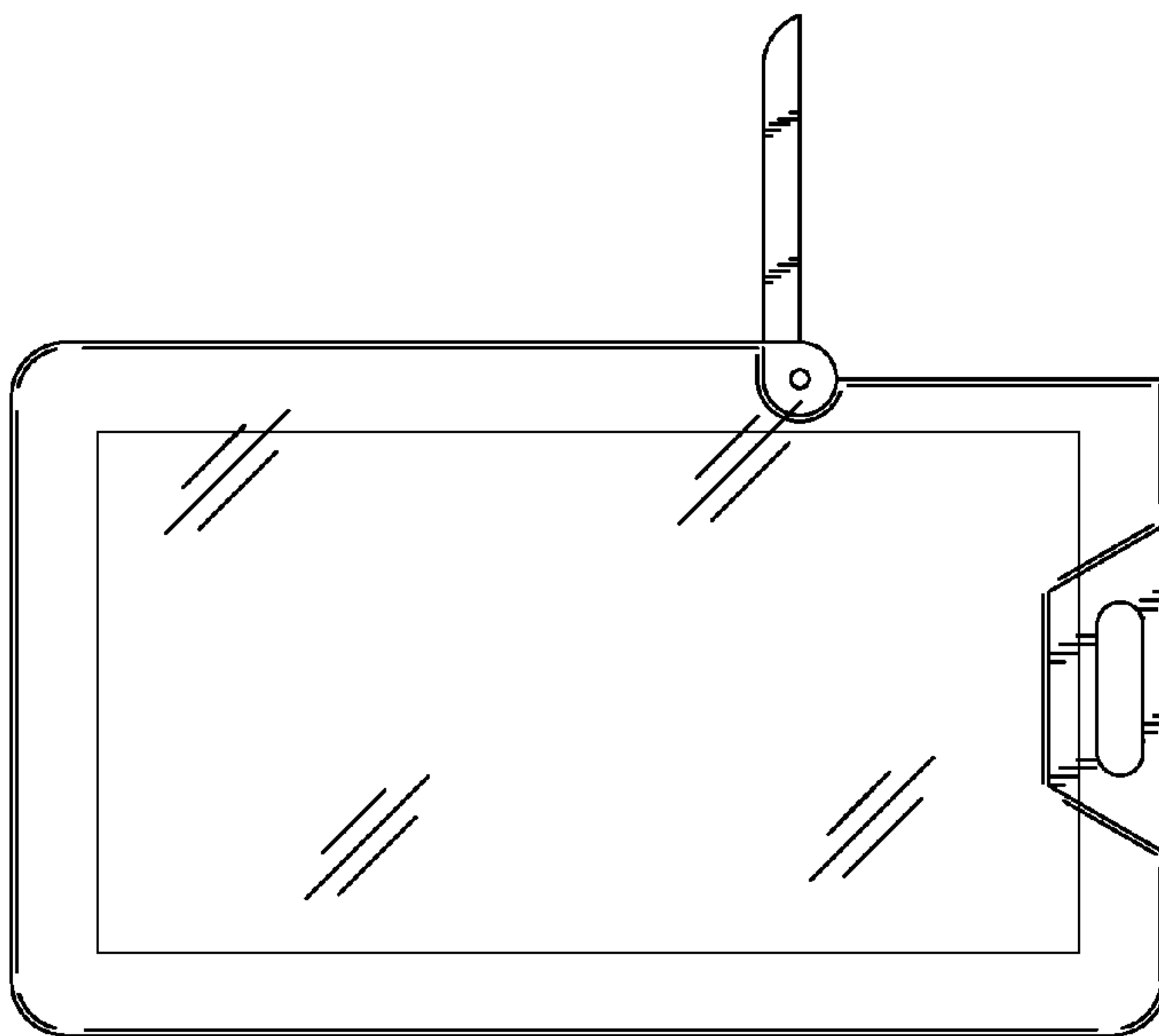


FIG. 12



FIG. 13



FIG. 14