



US00D628486S

(12) **United States Design Patent**
Lane

(10) **Patent No.:** **US D628,486 S**
(45) **Date of Patent:** **** Dec. 7, 2010**

(54) **BOTTLE**

(75) Inventor: **Marvin Lane**, Round Lake Beach, IL
(US)

(73) Assignee: **Thermos L L.C.**, Rolling Meadows, IL
(US)

(**) Term: **14 Years**

(21) Appl. No.: **29/341,548**

(22) Filed: **Aug. 7, 2009**

(51) **LOC (9) Cl.** **09-01**

(52) **U.S. Cl.** **D9/503; D7/510; D7/511**

(58) **Field of Classification Search** D9/443,
D9/436-435, 500, 502-505, 516, 549, 557-558,
D9/682, 686, 688, 690, 692, 715, 719, 722;
D7/509-511, 601-602, 605, 608, 629; 215/11.1,
215/200, 305-306, 316, 329, 379, 381-382;
220/200, 288, 212.5, 660, 662, 665, 669-673,
220/675, 677, 680; 206/541, 547

See application file for complete search history.

(56) **References Cited**

U.S. PATENT DOCUMENTS

D287,211 S * 12/1986 Weiss D7/608
D312,775 S * 12/1990 Tacconelli D9/503
D321,628 S * 11/1991 Kobayashi et al. D7/608
D458,134 S * 6/2002 Berish et al. D9/443

D550,562 S * 9/2007 Yew D9/538
D572,585 S * 7/2008 Perrin et al. D9/443
D616,744 S * 6/2010 Cresswell et al. D9/443

* cited by examiner

Primary Examiner—Ian Simmons

Assistant Examiner—Dana L Sipos

(74) *Attorney, Agent, or Firm*—Wood, Phillips, Katz, Clark &
Mortimer

(57) **CLAIM**

The ornamental design for a bottle, as shown and described.

DESCRIPTION

FIG. 1 is a top perspective view of a bottle showing my new design;

FIG. 2 is a bottom perspective view thereof;

FIG. 3 is a front elevation view thereof, the rear elevation view being identical;

FIG. 4 is a right side elevation view thereof, the left side elevation view being identical;

FIG. 5 is a top plan view thereof; and,

FIG. 6 is a bottom plan view thereof.

The broken lines in the drawings showing the bottom surface of the bottle illustrate the portions of the design that form no part of the claim.

1 Claim, 3 Drawing Sheets

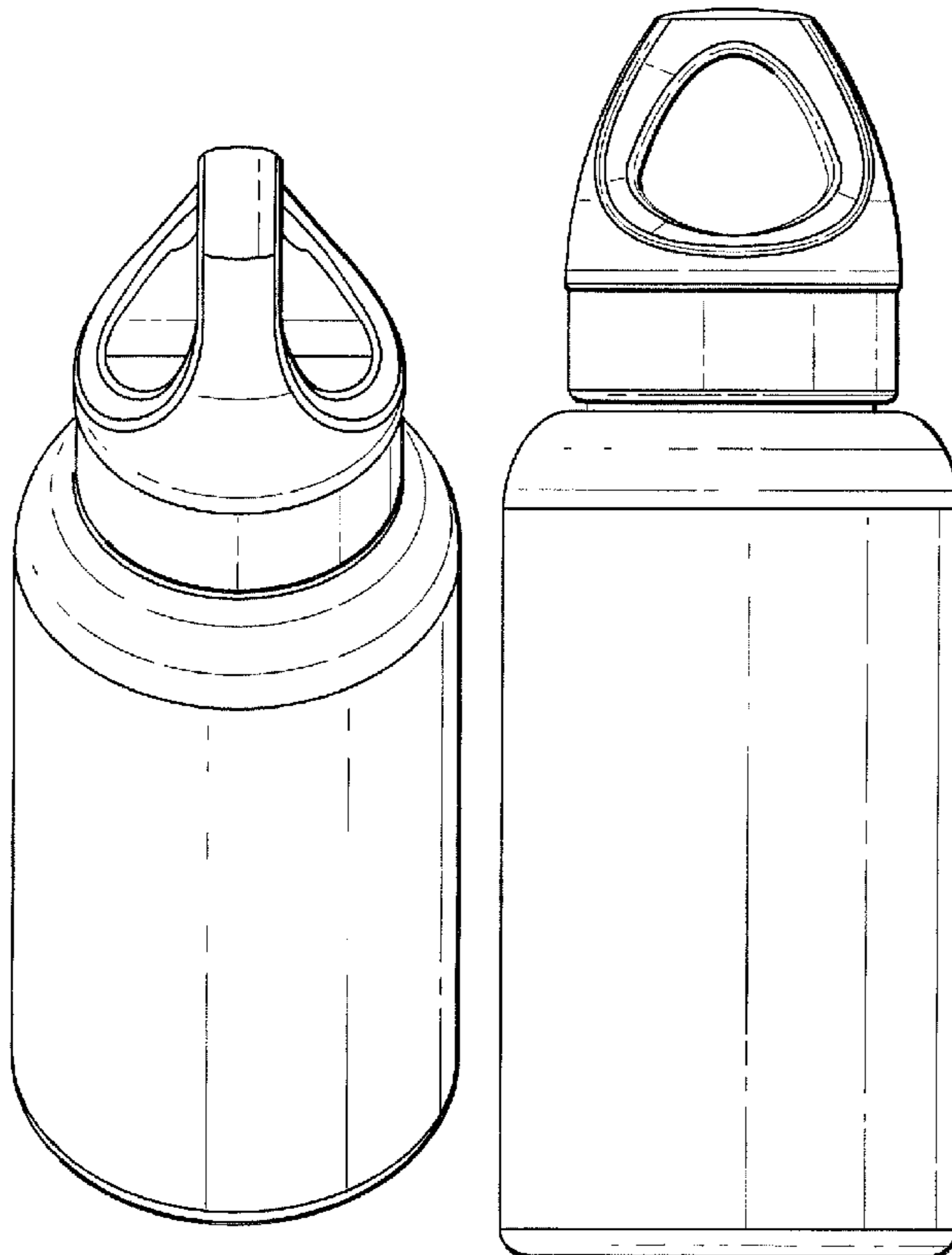


Fig. 1

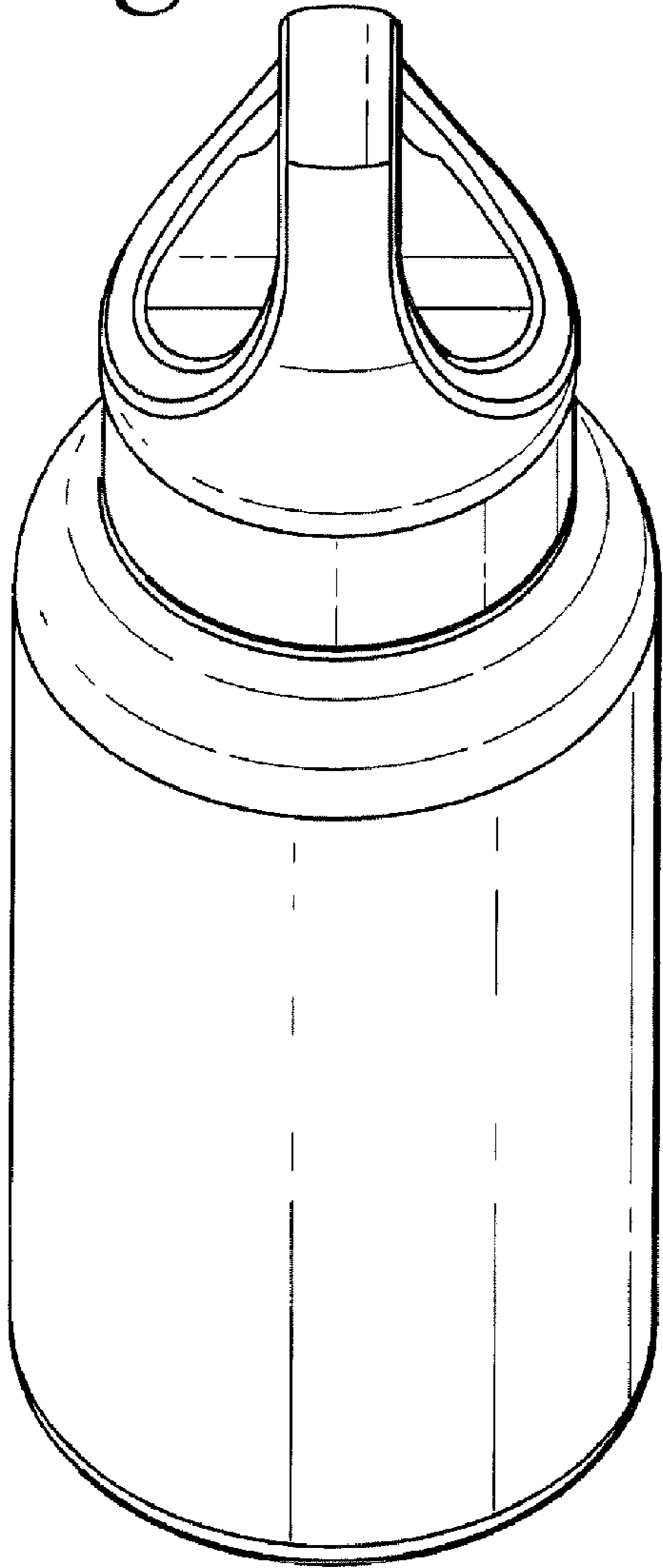


Fig. 2

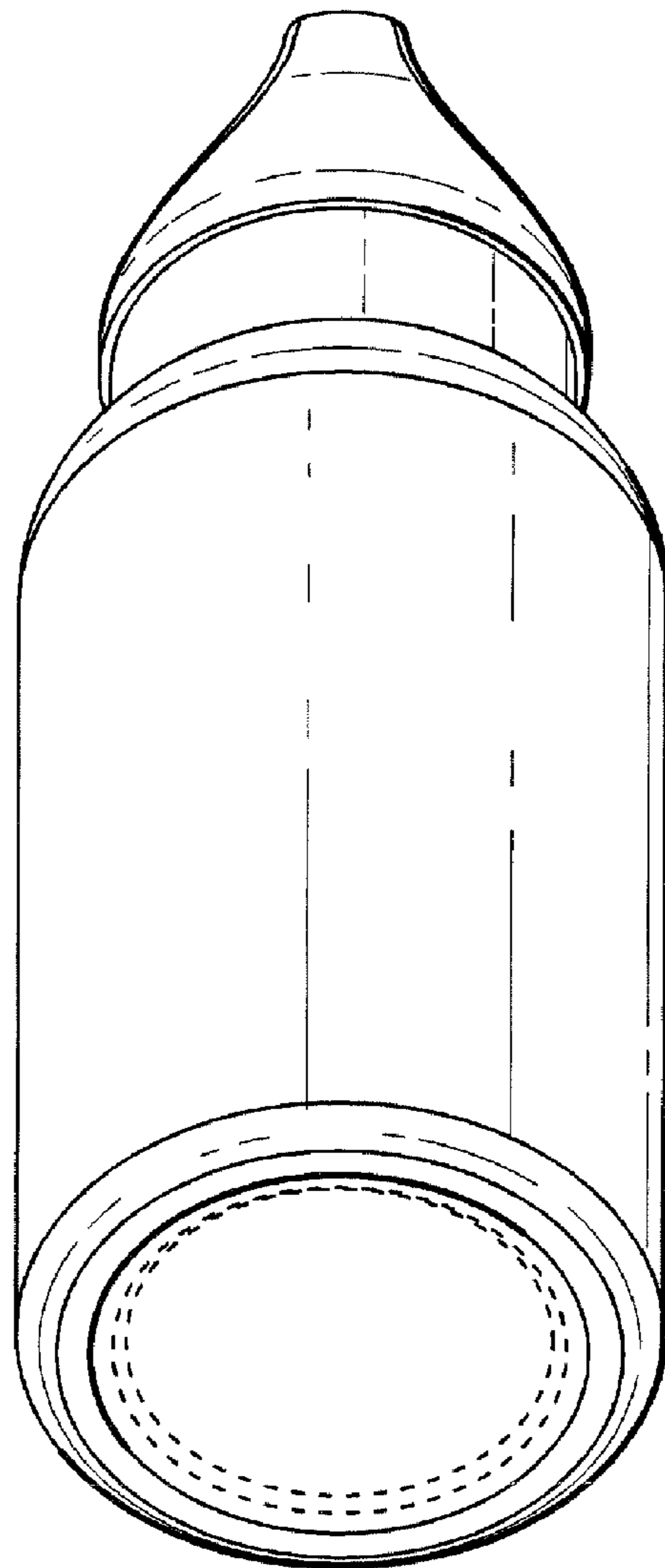


Fig. 3

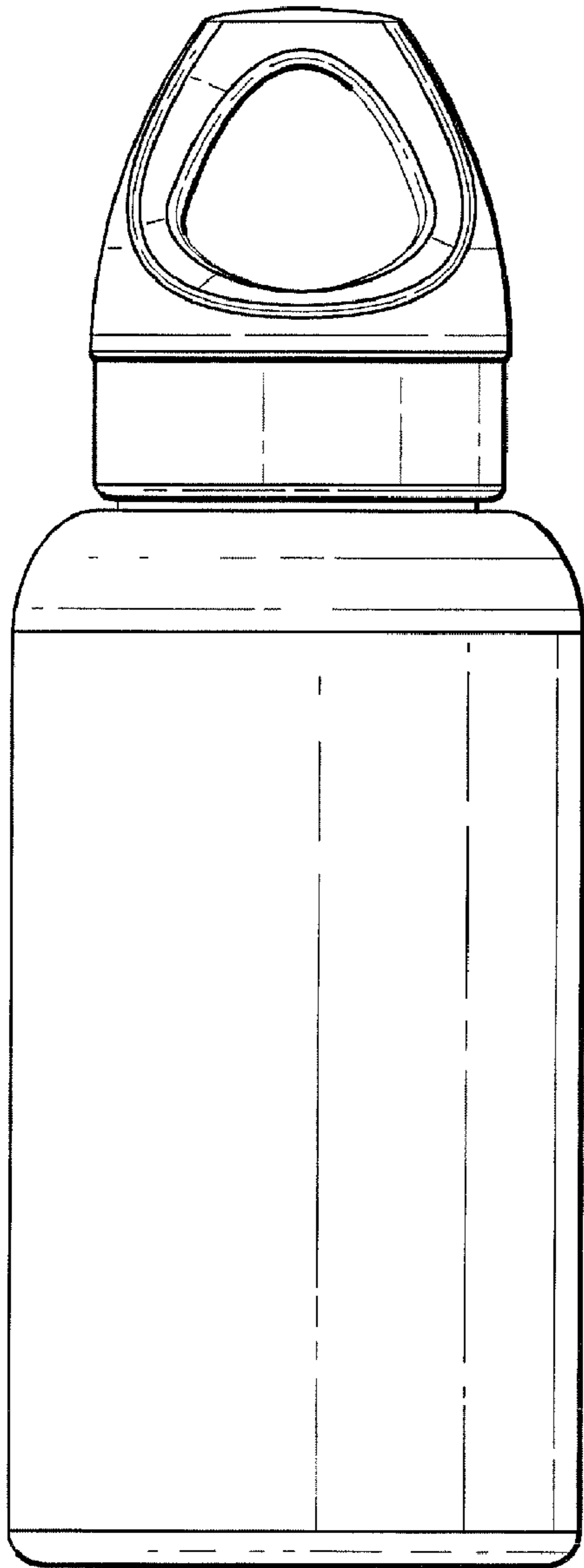


Fig. 4

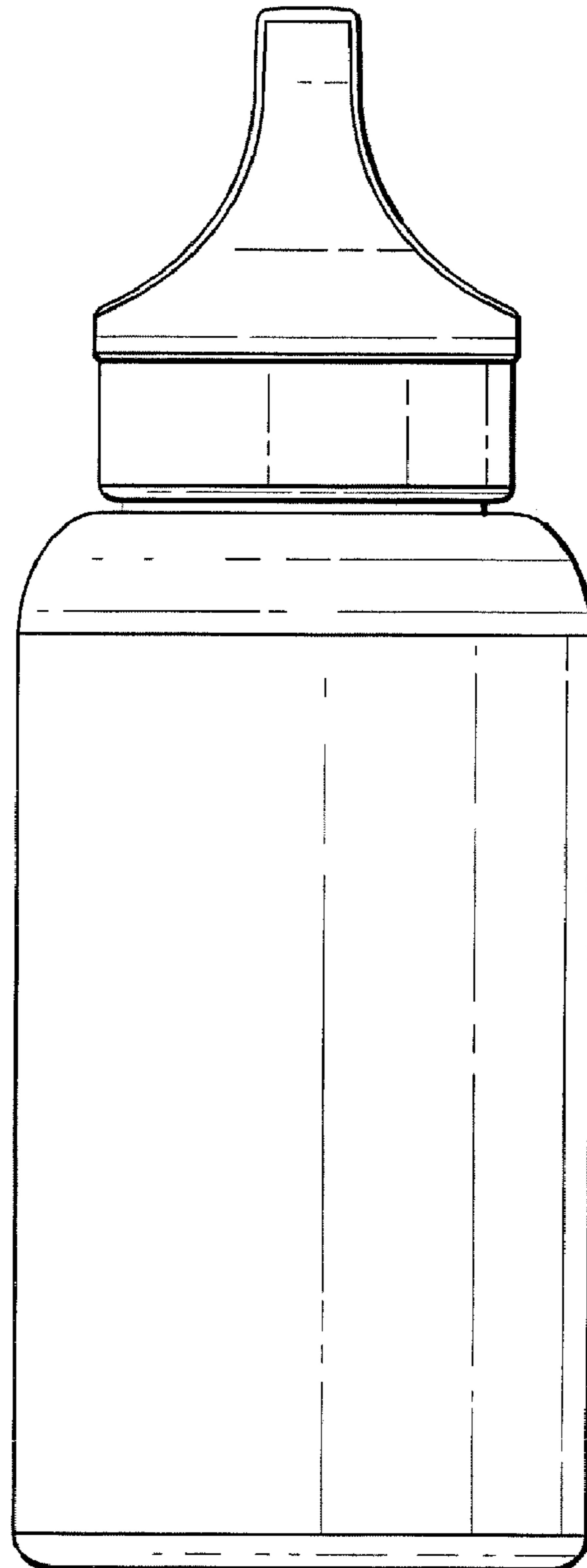


Fig. 5

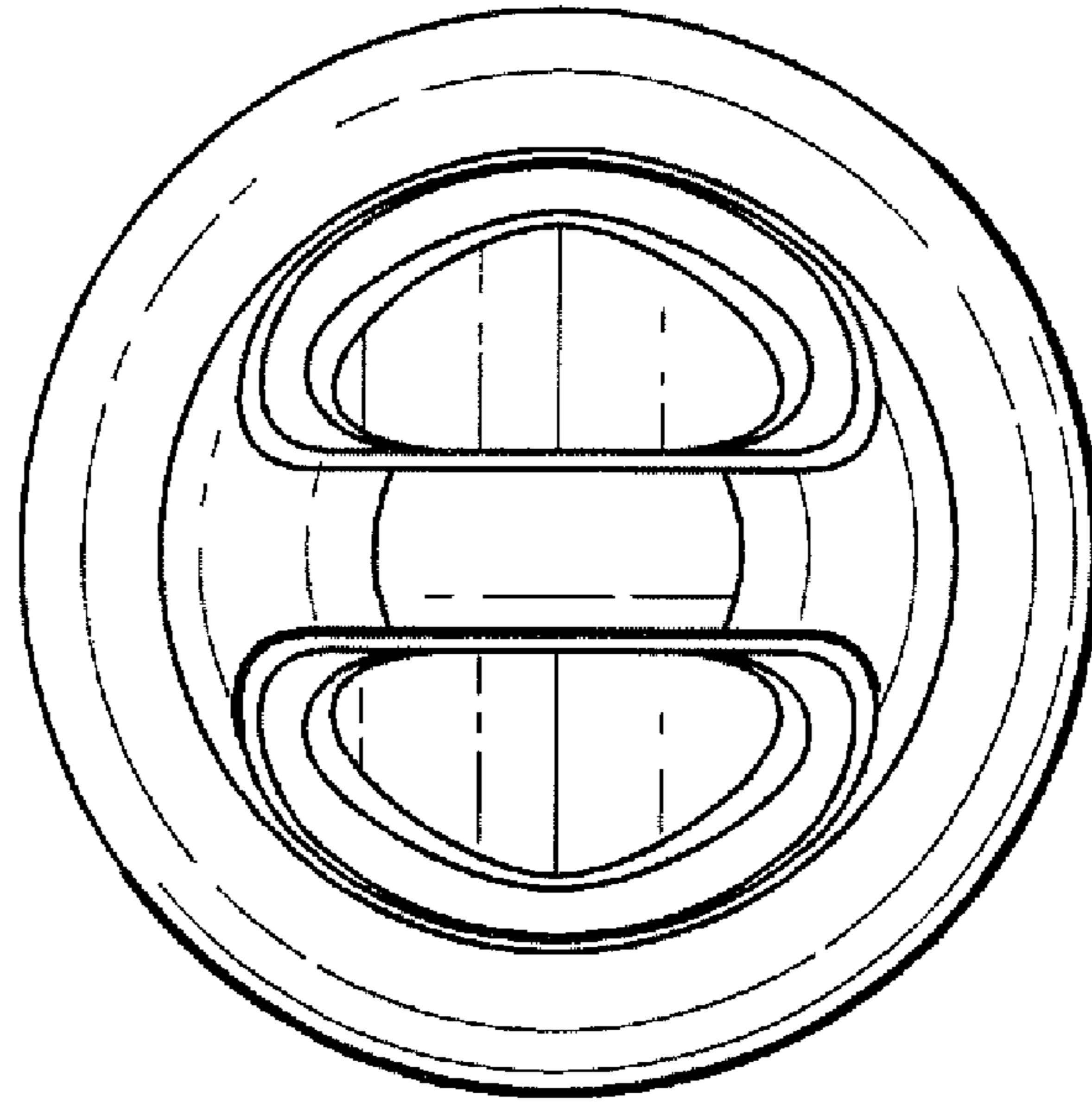


Fig. 6

