



US00D628483S

(12) **United States Design Patent**
McKinney et al.

(10) **Patent No.:** **US D628,483 S**

(45) **Date of Patent:** **** Dec. 7, 2010**

(54) **BEVERAGE BOTTLE LID**

(75) Inventors: **Larry T. McKinney**, Huntersville, NC (US); **Brian D. Furlong**, Davidson, NC (US)

(73) Assignee: **Rubbermaid Incorporated**, Huntersville, NC (US)

(**) Term: **14 Years**

(21) Appl. No.: **29/343,956**

(22) Filed: **Sep. 22, 2009**

(51) **LOC (9) Cl.** **09-07**

(52) **U.S. Cl.** **D9/449; D9/453**

(58) **Field of Classification Search** D9/529, D9/504, 503, 454, 453, 452, 450, 449, 447, D9/446, 443, 435; D7/900, 396.2, 392.1; 222/556, 544, 494, 480, 472, 321.9, 212, 222/185.1; 220/837, 835, 813, 810, 375, 220/254.5; 215/305, 228, 226, 200

See application file for complete search history.

(56) **References Cited**

U.S. PATENT DOCUMENTS

D364,810 S	*	12/1995	Meisner	D9/446
D367,424 S	*	2/1996	Thanisch	D9/446
D391,484 S	*	3/1998	Santagiuliana	D9/449
D409,488 S	*	5/1999	Mohary et al.	D9/449
6,510,971 B1	*	1/2003	Martin	222/556
D519,029 S	*	4/2006	Hicks et al.	D9/453
D583,234 S	*	12/2008	Lohrman et al.	D9/449
D591,153 S	*	4/2009	Strepkoff	D9/449
D596,458 S		7/2009	McKinney et al.		

OTHER PUBLICATIONS

Product Information for Rubbermaid Chug Bottles obtained from www.rubbermaid.com, 1 page.

Product Information for Rubbermaid Sip Bottles obtained from www.rubbermaid.com, 1 page.

Product Information for Rubbermaid Squirt-Top Bottles obtained from www.rubbermaid.com, 1 page.

* cited by examiner

Primary Examiner—Susan Bennett Hattan

(74) *Attorney, Agent, or Firm*—Lempia Braidwood LLC

(57) **CLAIM**

The ornamental design for a “beverage bottle lid,” as shown and described.

DESCRIPTION

FIG. 1 is a top, front, and right side perspective view showing our new design for a beverage bottle lid;

FIG. 2 is a right side view of the beverage bottle lid shown in FIG. 1, the left side view being a mirror image thereof;

FIG. 3 is a front view of the beverage bottle lid shown in FIG. 1;

FIG. 4 is a rear view of the beverage bottle lid shown in FIG. 1;

FIG. 5 is a top view of the beverage bottle lid shown in FIG. 1;

FIG. 6 is a bottom view of the beverage bottle lid shown in FIG. 1;

FIG. 7 is a top, front, and right side perspective view showing the beverage bottle lid shown in FIG. 1 in the open position; and,

FIG. 8 is a side view showing the beverage bottle lid shown in FIG. 7.

The subject matter shown in dashed lines are for illustrative purposes only and form no part of the claimed design.

1 Claim, 6 Drawing Sheets

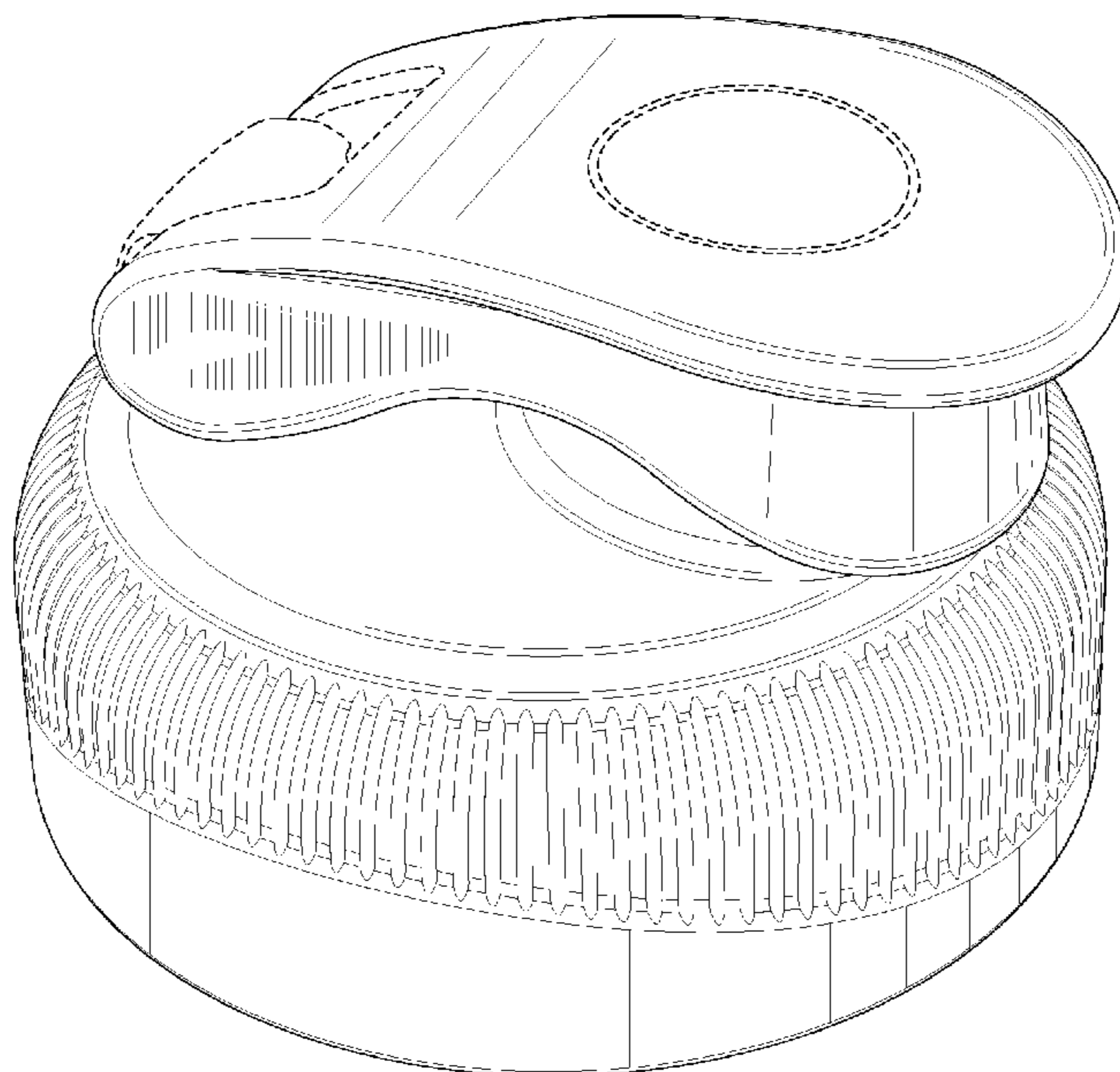


FIG. 1

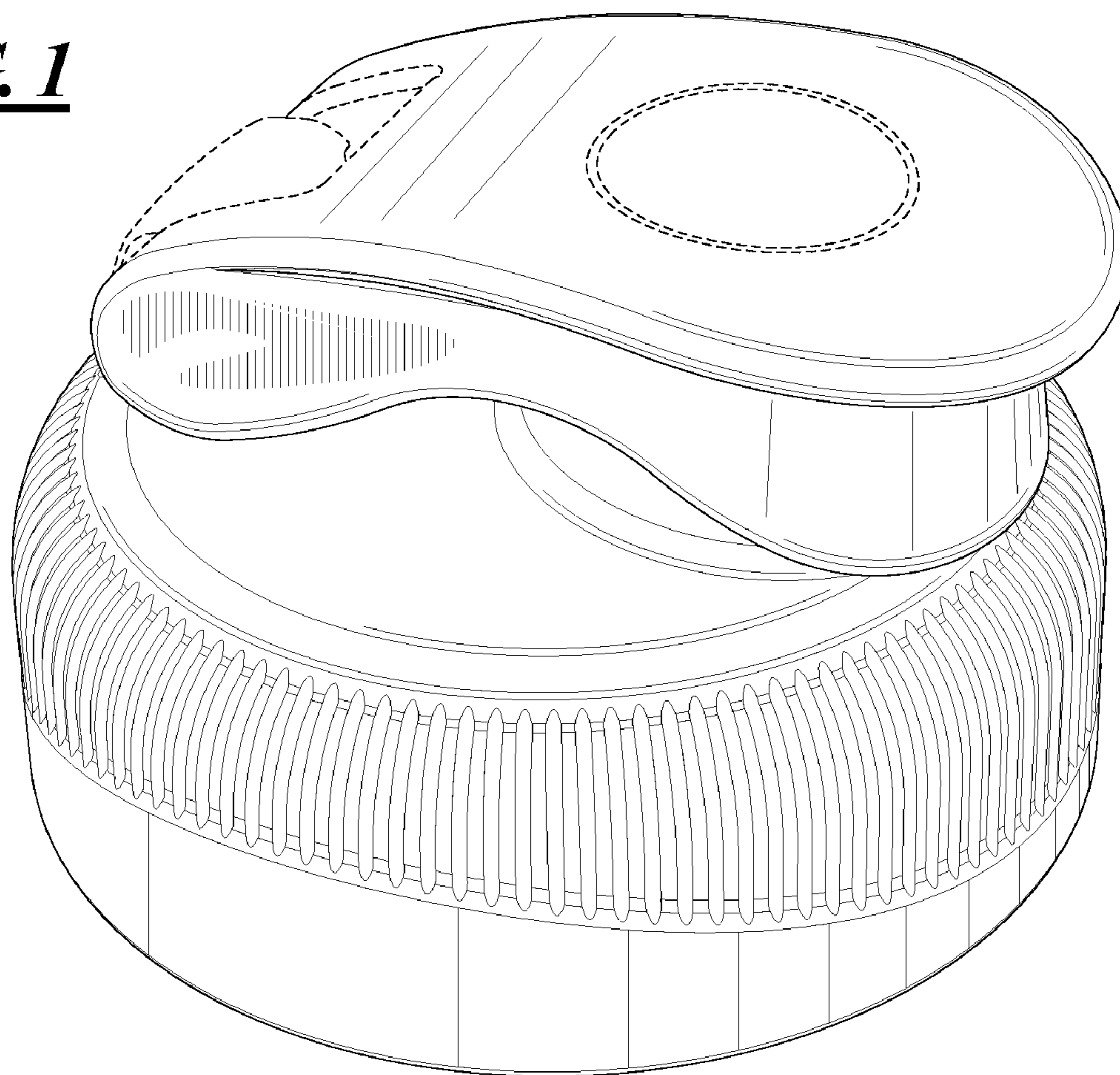


FIG. 2

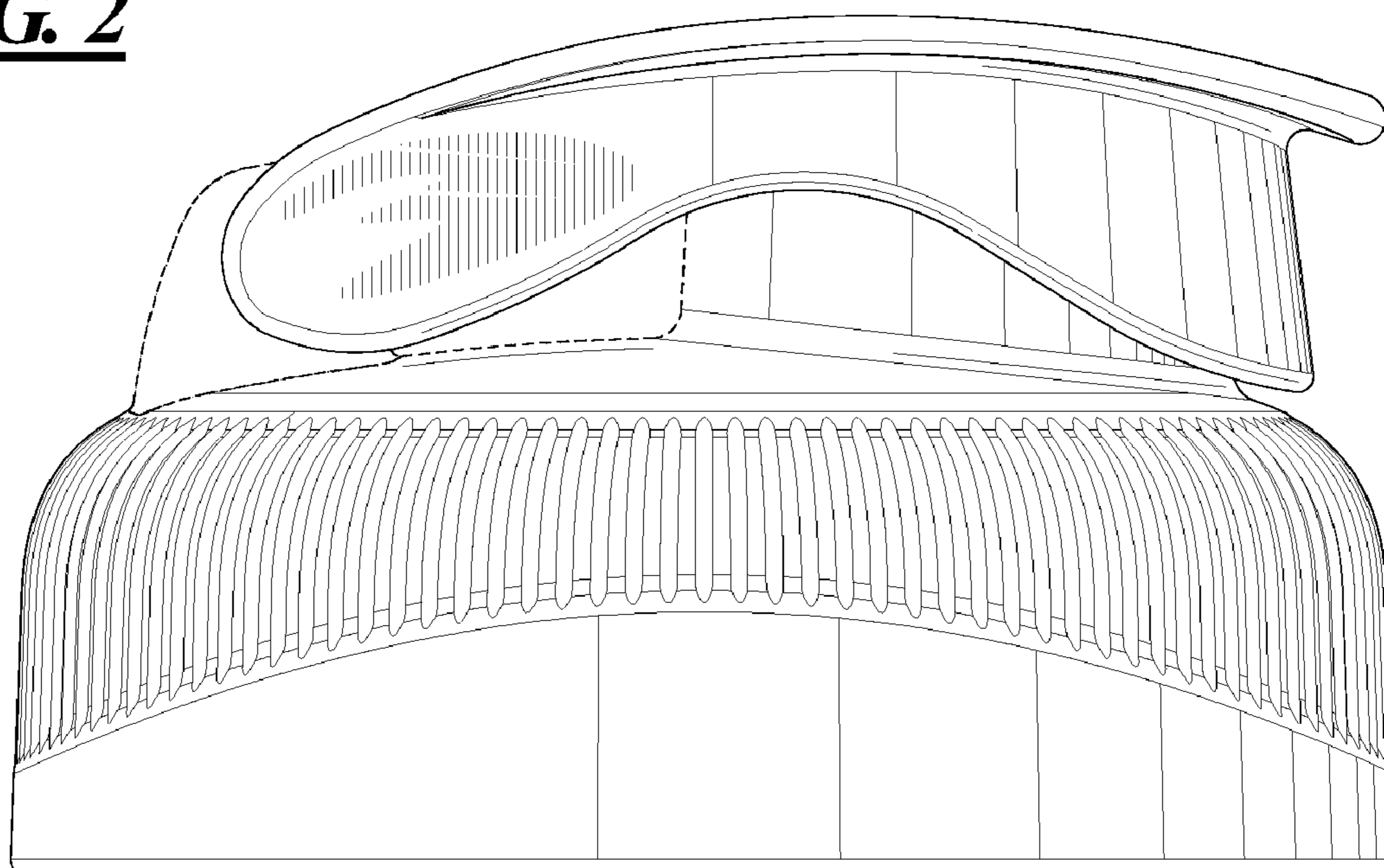


FIG. 3

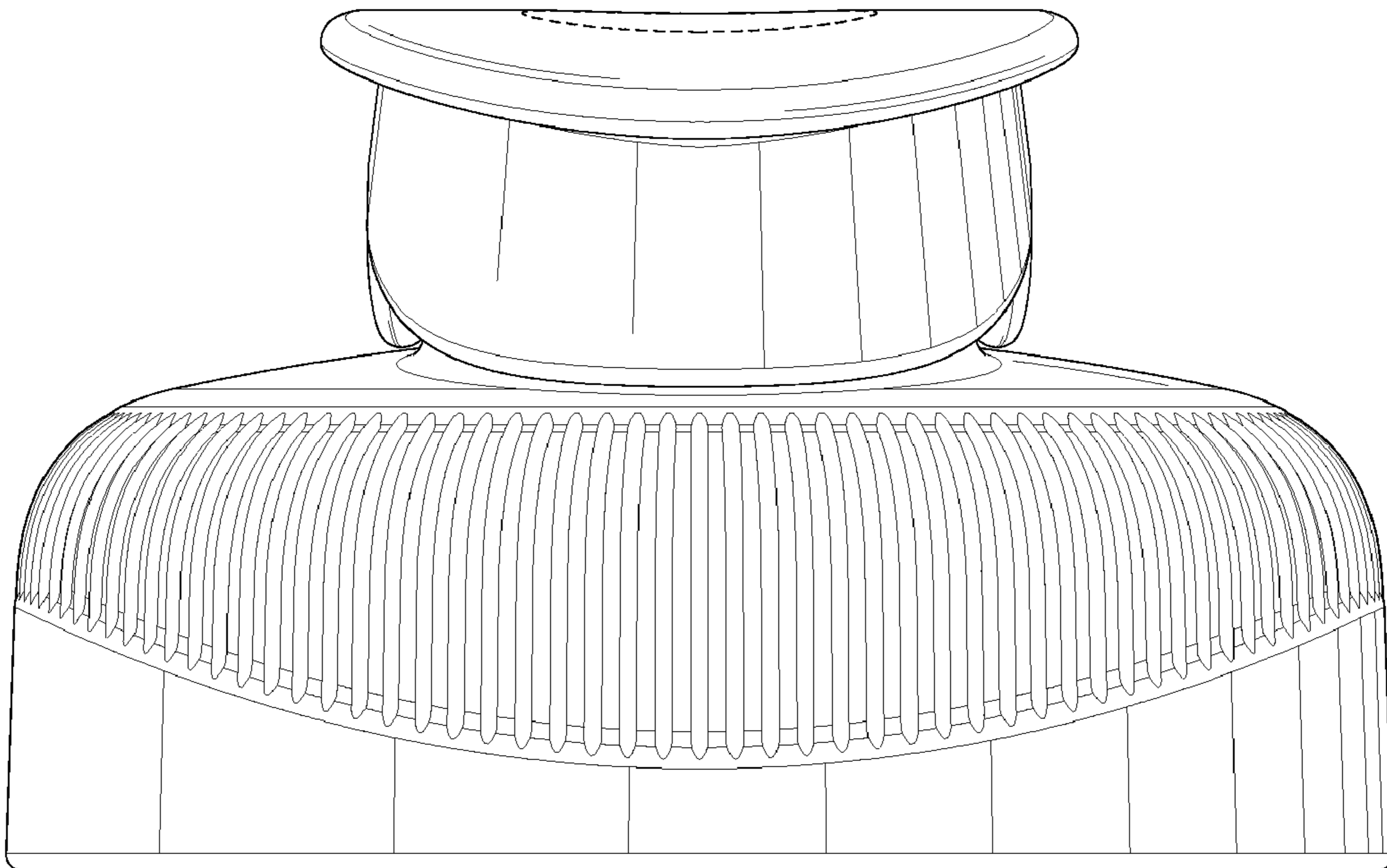


FIG. 4

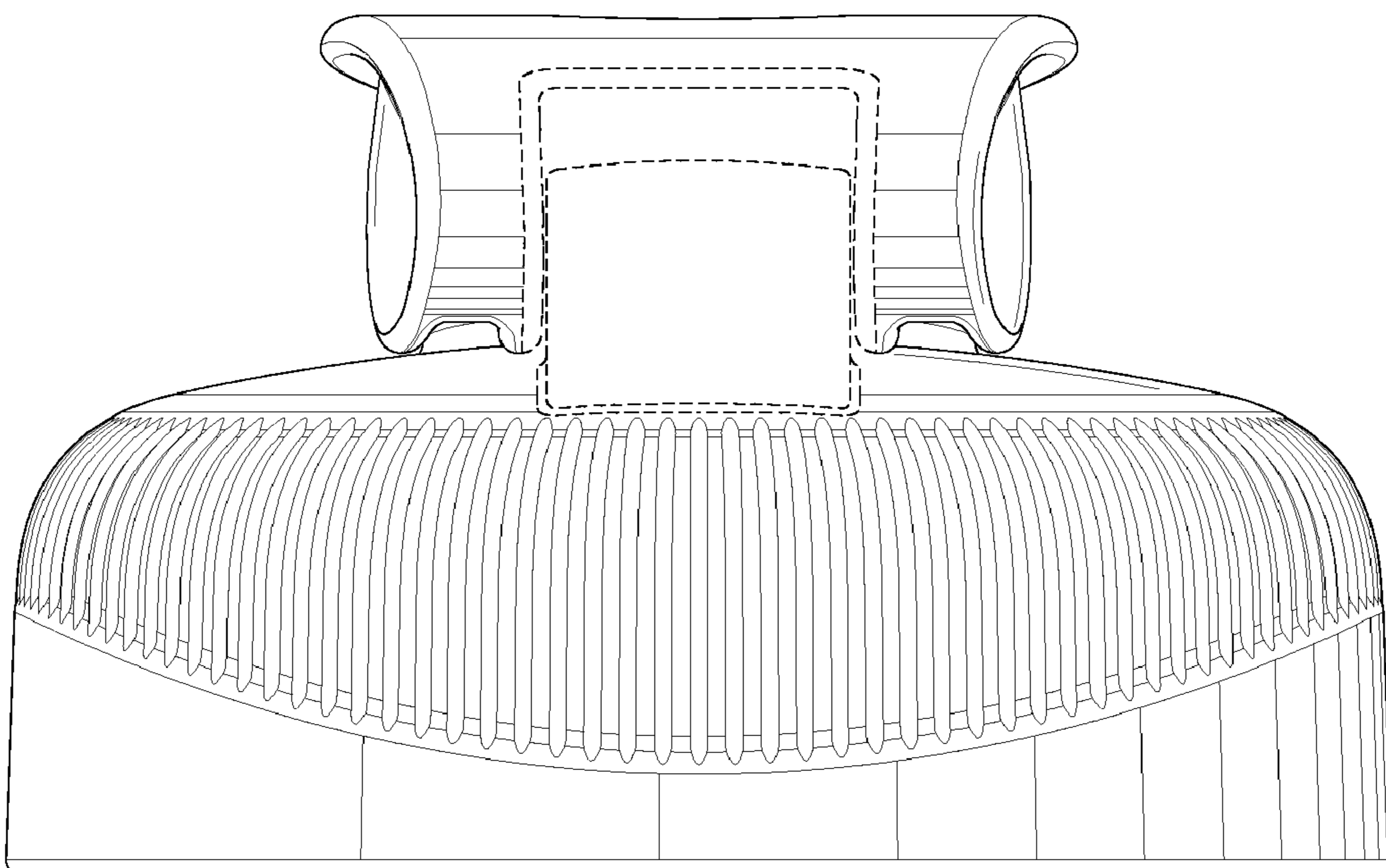


FIG. 5

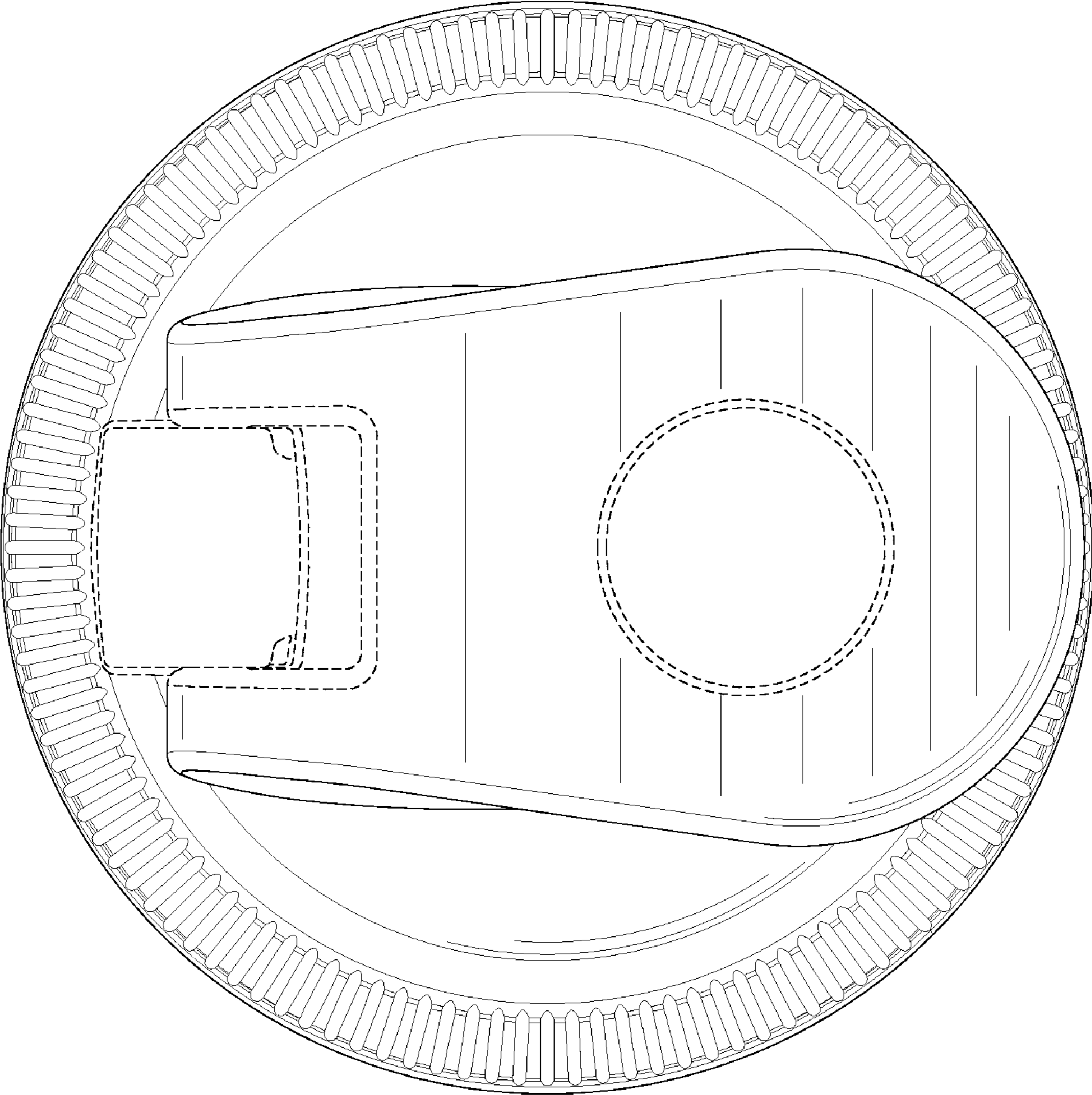
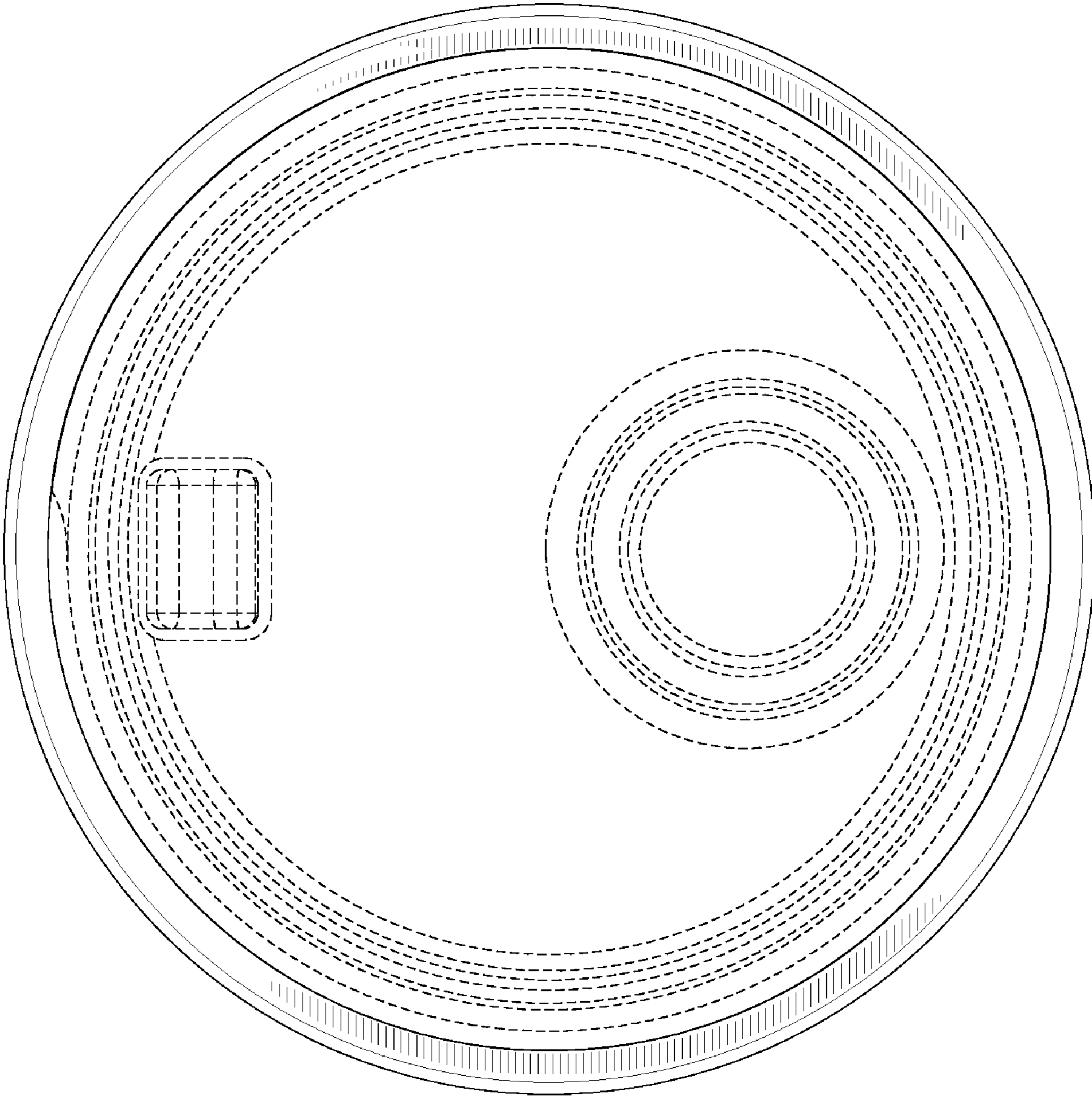


FIG. 6



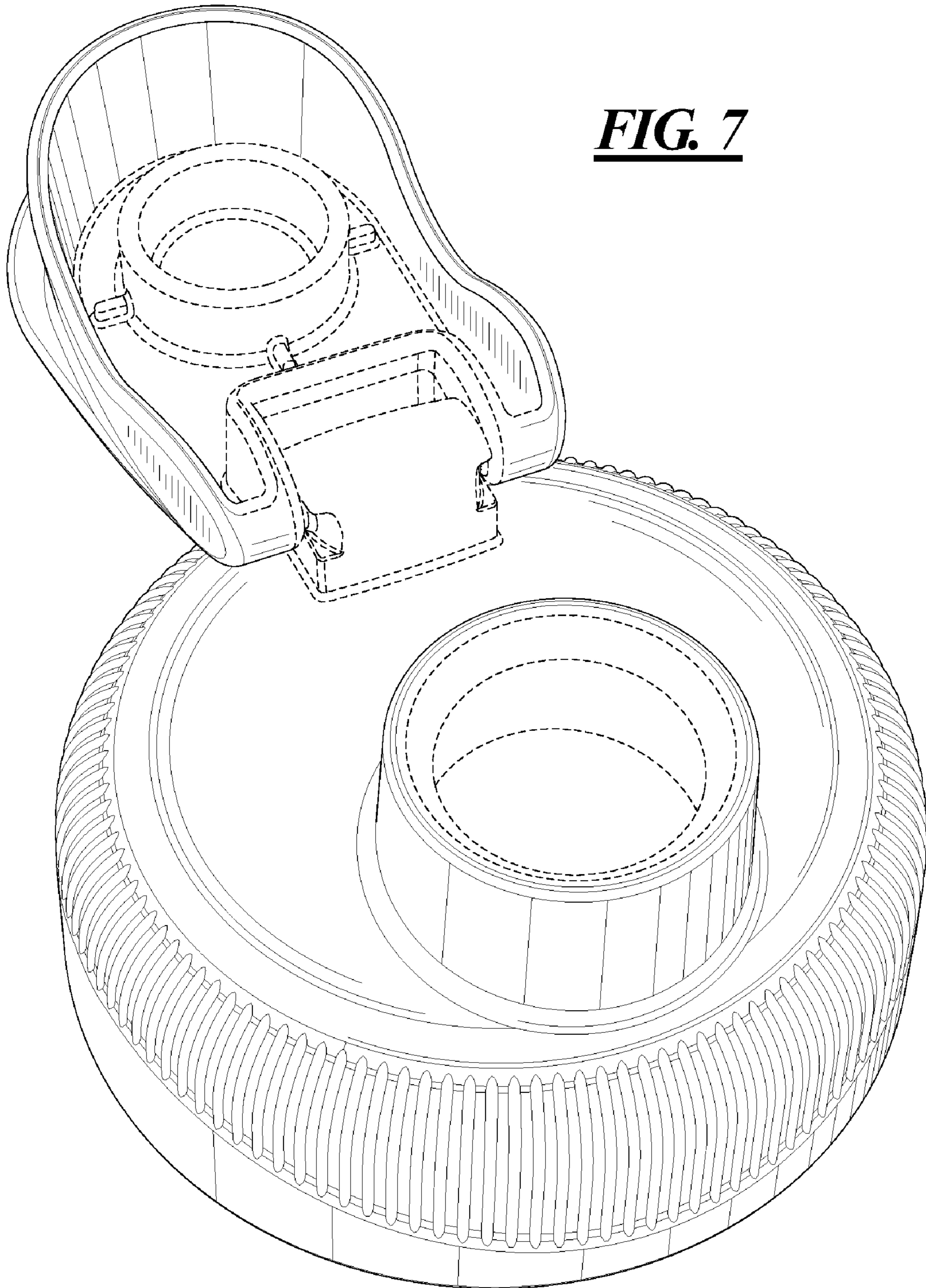


FIG. 8

