



US00D628482S

(12) **United States Design Patent**  
**Tiesberger**

(10) **Patent No.:** **US D628,482 S**

(45) **Date of Patent:** **\*\* Dec. 7, 2010**

(54) **FLIP-TOP SEALING CAP**

(75) Inventor: **Kai Tiesberger**, Niedernhausen (DE)

(73) Assignee: **Friedrich Scanner GmbH & Co. KG**,  
Bensheim (DE)

(\*\*) Term: **14 Years**

(21) Appl. No.: **29/316,219**

(22) Filed: **Sep. 3, 2009**

(51) **LOC (9) Cl.** ..... **09-07**

(52) **U.S. Cl.** ..... **D9/449**

(58) **Field of Classification Search** ..... D9/529,  
D9/504, 503, 454, 453, 452, 450, 449, 447,  
D9/446, 443, 435; D7/900, 396.2, 392.1;  
222/556, 544, 494, 480, 472, 321.9, 212,  
222/185.1; 220/837, 835, 813, 810, 375,  
220/254.5; 215/305, 228, 226, 200

See application file for complete search history.

(56) **References Cited**

**U.S. PATENT DOCUMENTS**

- D216,297 S \* 12/1969 Johnson ..... D9/450
- D391,484 S \* 3/1998 Santagiuliana ..... D9/449
- D472,144 S \* 3/2003 Hierzer et al. .... D9/435
- D529,339 S \* 10/2006 Carreno et al. .... D7/511
- D533,061 S \* 12/2006 Li ..... D9/443
- D539,607 S \* 4/2007 Lapsker ..... D7/510
- D574,235 S \* 8/2008 Sawatsky ..... D9/435
- D583,234 S \* 12/2008 Lohrman et al. .... D9/449

- D608,640 S \* 1/2010 Carreno ..... D9/449
- D609,964 S \* 2/2010 Lane ..... D7/392.1
- 2010/0140266 A1 \* 6/2010 Lohrman et al. .... 220/254.3

\* cited by examiner

*Primary Examiner*—Susan Bennett Hattan

(74) *Attorney, Agent, or Firm*—Davidson, Davidson &  
Kappel, LLC

(57) **CLAIM**

The ornamental design for the flip-top sealing cap, as shown and described.

**DESCRIPTION**

FIG. 1 is a left side view of the closed flip-top sealing cap; and FIG. 2 is a right side view of the closed flip-top sealing cap; and

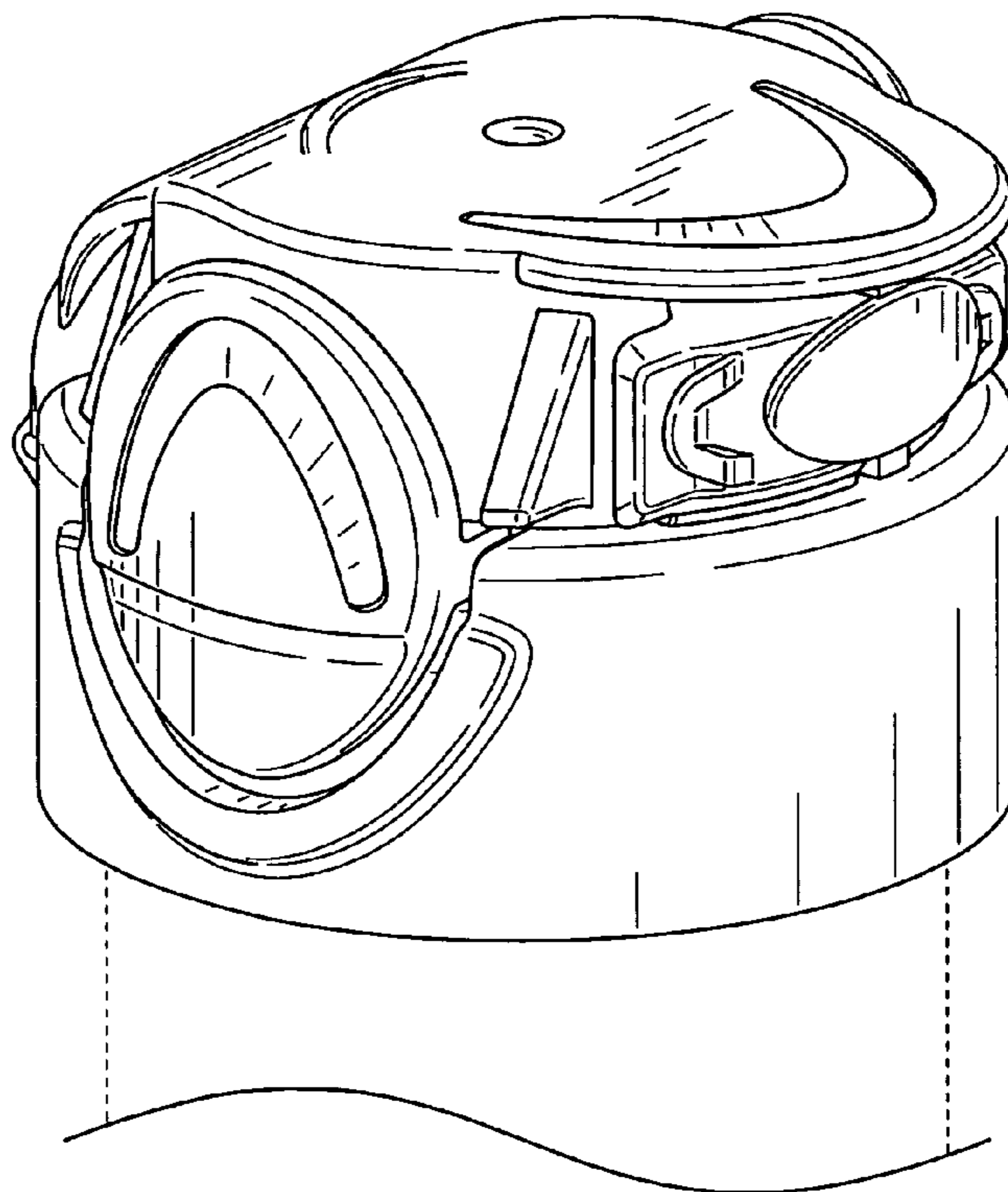
FIG. 3 is a back view of the closed flip-top sealing cap; and FIG. 4 is a front view of the closed flip-top sealing cap; and FIG. 5 is a top view of the closed flip-top sealing cap; and

FIG. 6 is a perspective view of the closed flip-top sealing cap; and,

FIG. 7 is a perspective view of the opened flip-top sealing cap.

The dashed lines which indicate an object being sealed by the flip-top sealing cap are included for the purpose of illustrating environmental structure and form no part of the claimed design.

**1 Claim, 4 Drawing Sheets**



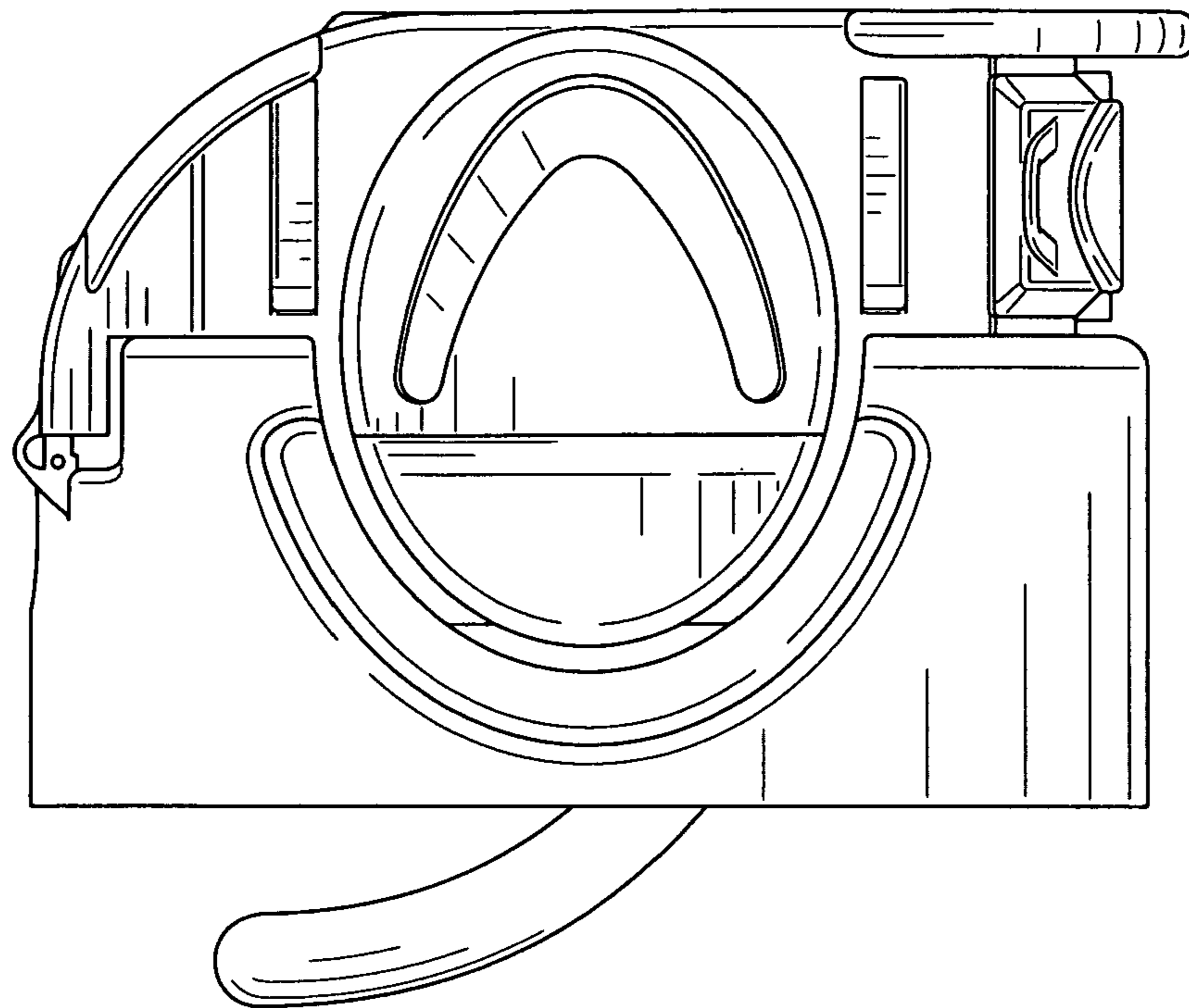


FIG. 1

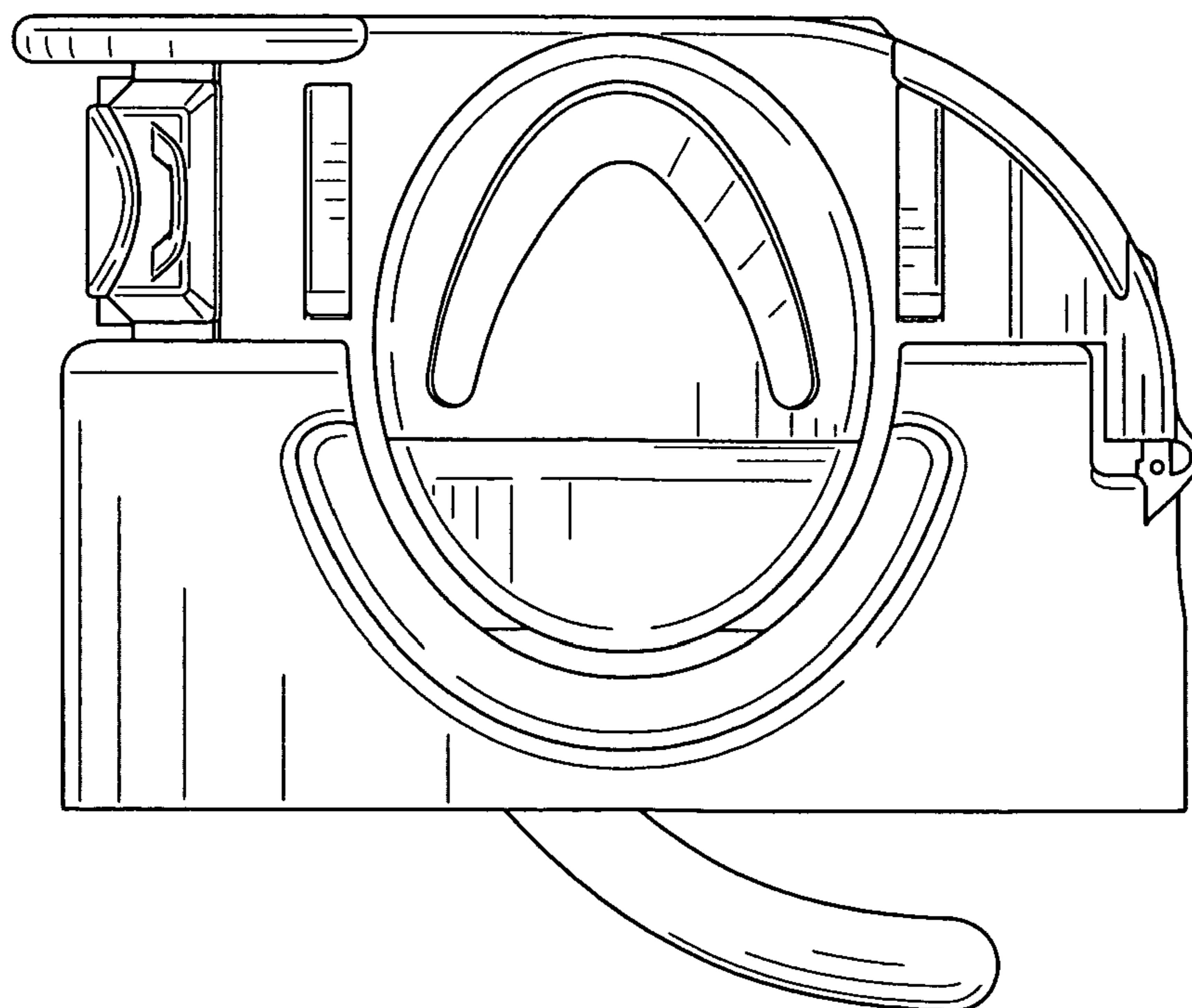


FIG. 2

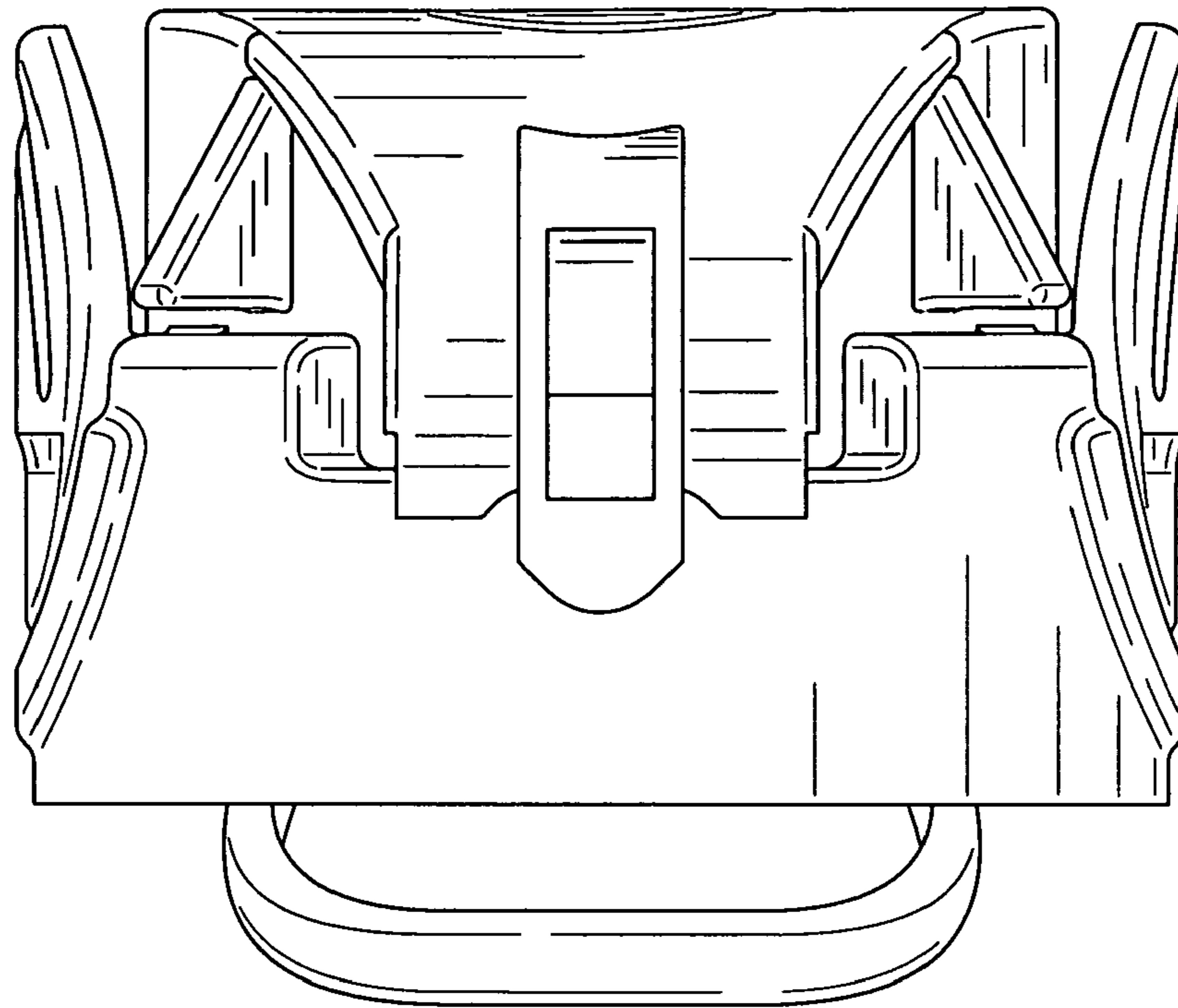


FIG. 3

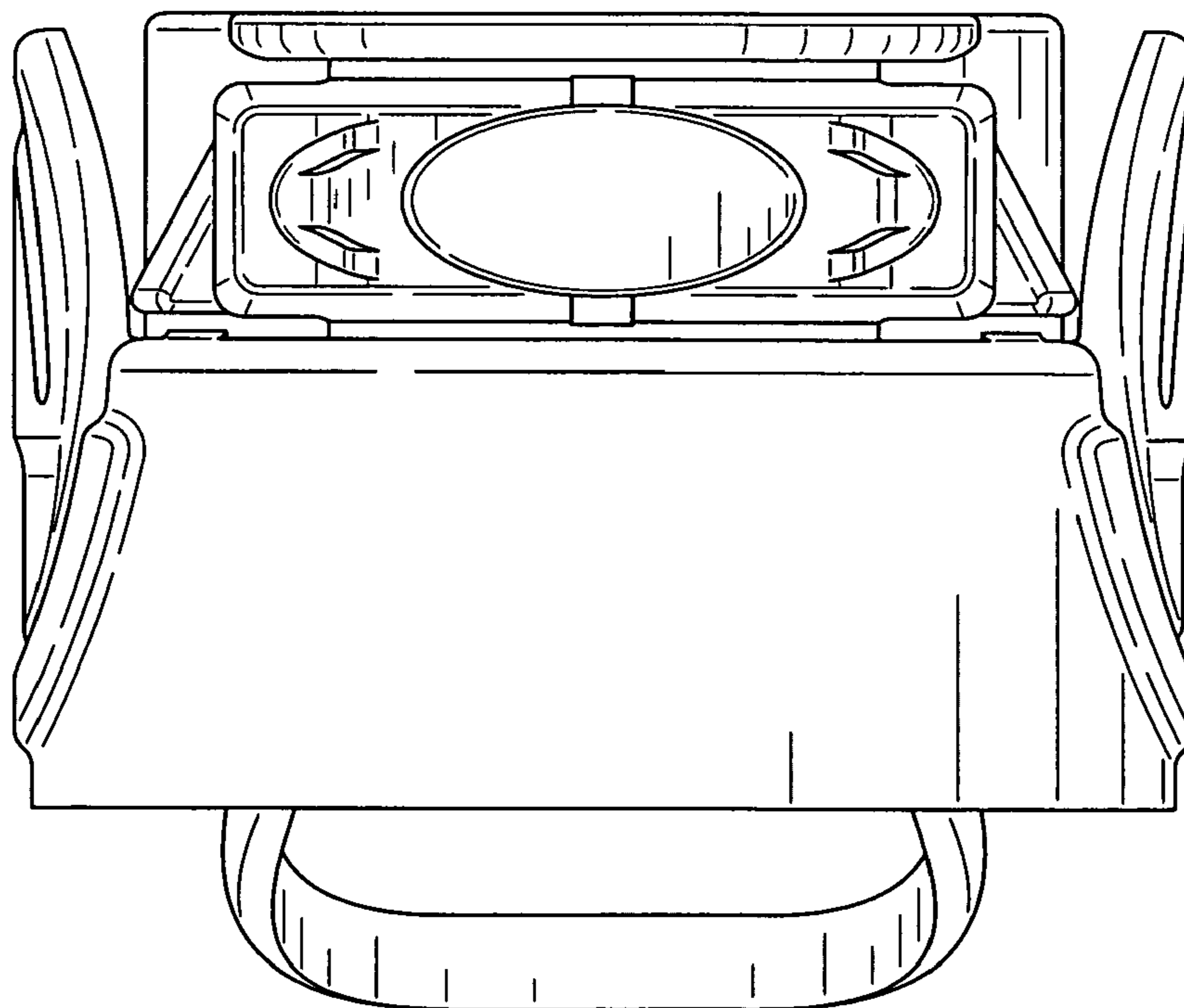


FIG. 4

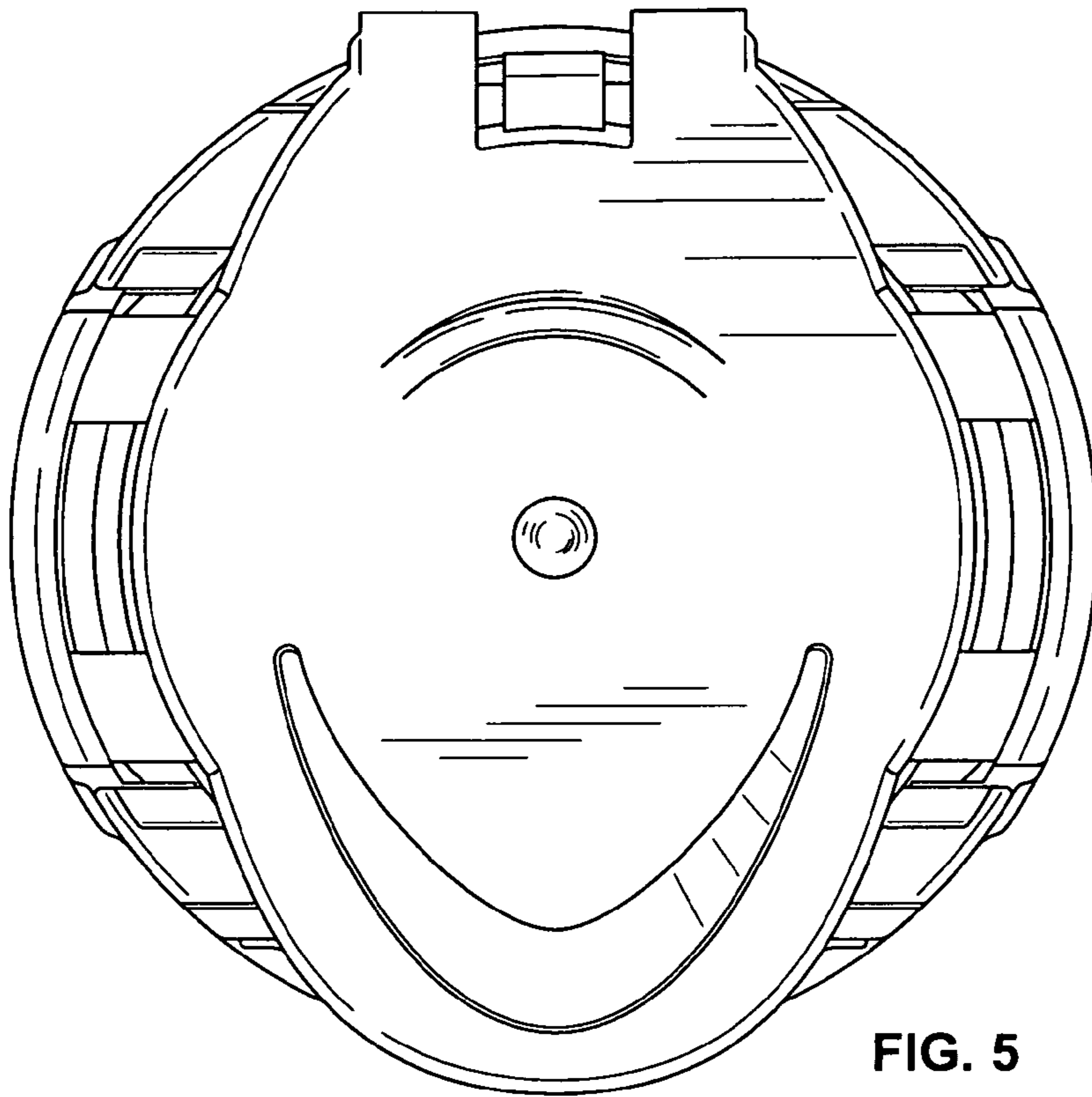


FIG. 5

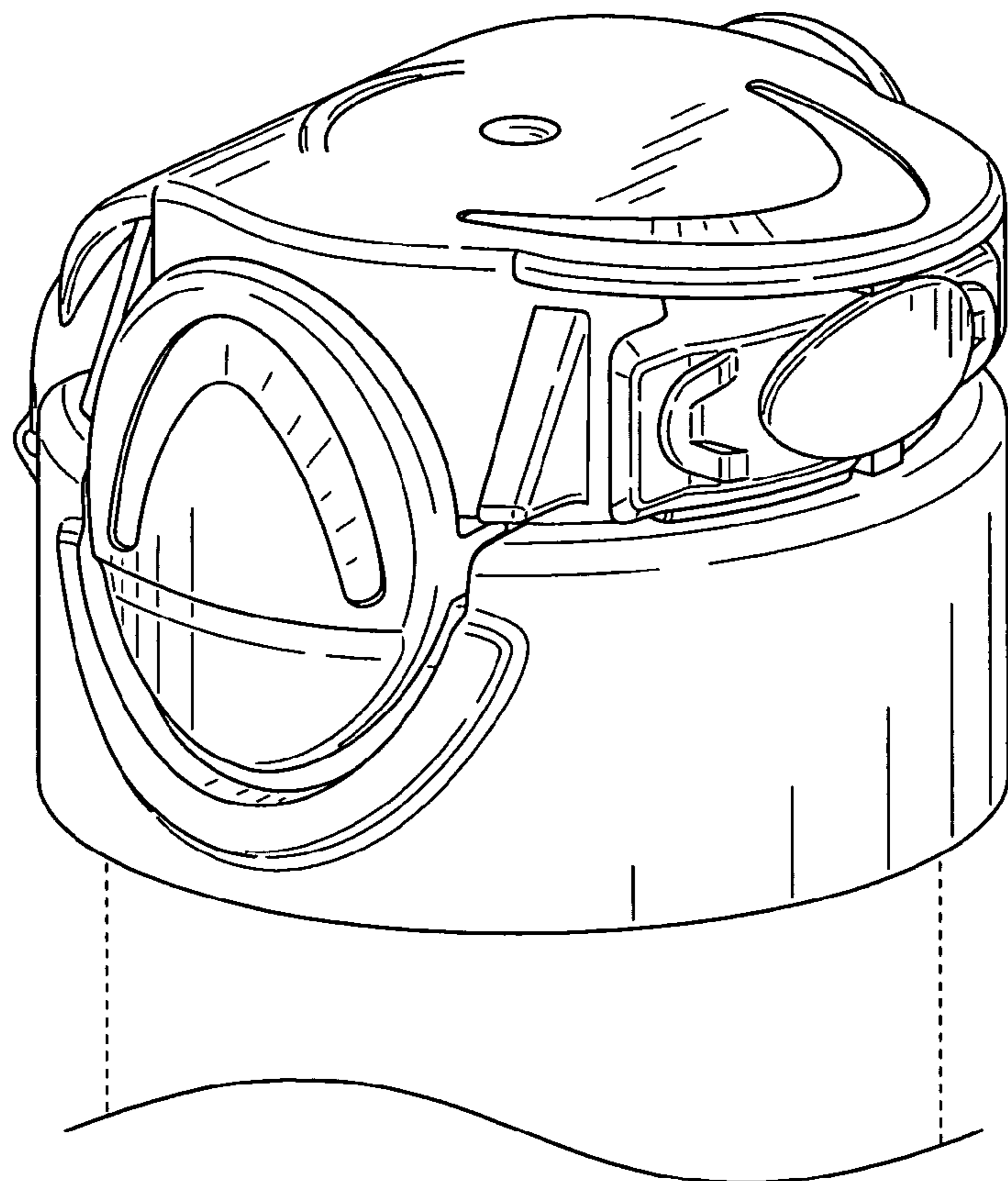


FIG. 6

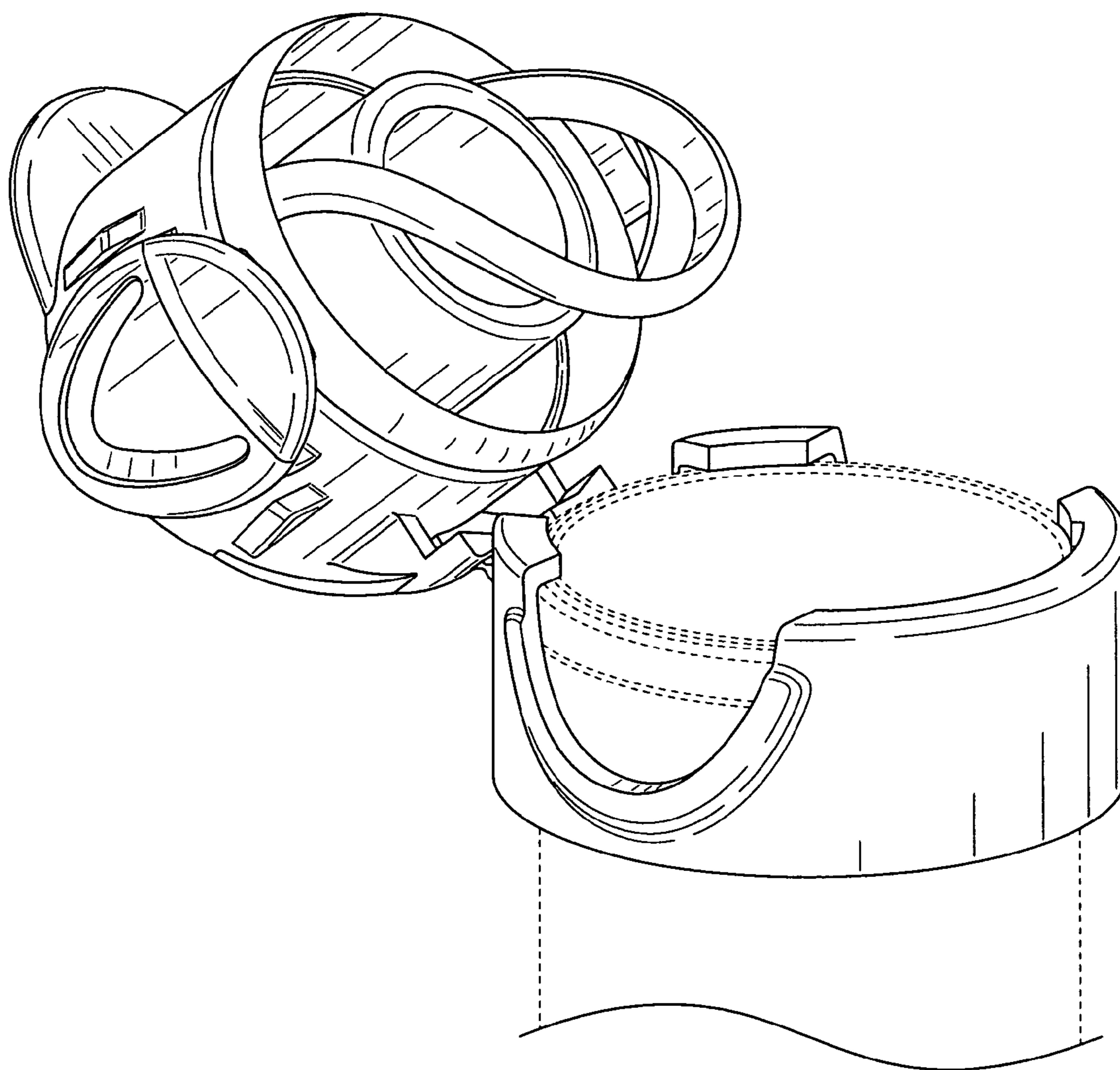


FIG. 7

UNITED STATES PATENT AND TRADEMARK OFFICE  
**CERTIFICATE OF CORRECTION**

PATENT NO. : D628,482 S  
APPLICATION NO. : 29/316219  
DATED : December 7, 2010  
INVENTOR(S) : Kai Tiesberger

Page 1 of 1

It is certified that error appears in the above-identified patent and that said Letters Patent is hereby corrected as shown below:

Title Page, Item (73)

Assignee name should read: Friedrich Sanner GmbH & Co. KG

Signed and Sealed this  
Twenty-second Day of March, 2011

A handwritten signature in black ink that reads "David J. Kappos". The signature is written in a cursive style with a large initial "D" and "K".

David J. Kappos  
*Director of the United States Patent and Trademark Office*