



US00D628478S

(12) **United States Design Patent**
Snedden et al.

(10) **Patent No.:** **US D628,478 S**
(45) **Date of Patent:** **** Dec. 7, 2010**

(54) **FOOD CONTAINER**

(75) Inventors: **Craig R. Snedden**, Culver City, CA (US); **Gandhi B. Sifuentes**, Whittier, CA (US); **Cesar E. Ramirez**, Van Nuys, CA (US)

(73) Assignee: **Direct Pack, Inc.**, Sun Valley, CA (US)

(**) Term: **14 Years**

(21) Appl. No.: **29/362,669**

(22) Filed: **May 28, 2010**

(51) **LOC (9) Cl.** **09-03**

(52) **U.S. Cl.** **D9/431; D9/432**

(58) **Field of Classification Search** D9/414, D9/419, 424, 425, 430, 431, 432, 435, 761; D7/538, 549, 550.1, 601-603, 605, 629; 229/105, 117.09, 117.26, 189, 406, 407, 229/902, 905, 915.1; 220/23.4, 23.6, 266, 220/281, 315, 318, 500, 659, 669, 674, 675, 220/696, 752, 760, 790, 793, DIG. 12, FOR. 117; 206/499, 508, 557; D3/276
See application file for complete search history.

(56) **References Cited**

U.S. PATENT DOCUMENTS

D319,978 S	*	9/1991	Wolff	D9/431
D331,334 S		12/1992	Hollington		
D351,999 S	*	11/1994	Krupa	D9/423
D374,155 S	*	10/1996	Feer et al.	D7/602
D418,056 S	*	12/1999	Johnson	D9/431
D501,403 S		2/2005	Wilcock et al.		
D501,764 S	*	2/2005	Lerner	D7/629
D502,096 S		2/2005	Wilcock et al.		
D503,336 S		3/2005	Tucker et al.		
D512,278 S	*	12/2005	Schultz et al.	D7/629
D512,606 S		12/2005	Lown		
D514,439 S		2/2006	Snedden et al.		
D514,440 S		2/2006	Snedden et al.		
D514,929 S		2/2006	Snedden et al.		
D518,958 S		4/2006	Yourist		
D531,802 S	*	11/2006	Zimmerman	D3/302

D548,069 S	8/2007	Sagel et al.
D548,587 S	8/2007	DuVal et al.
D555,982 S	11/2007	Tucker et al.
D559,628 S	1/2008	Chiang et al.
D562,083 S	2/2008	Lown et al.
D567,596 S	4/2008	Chiang et al.
D568,693 S	5/2008	Furlong
D568,694 S	5/2008	Furlong
D570,650 S	6/2008	Vovan
D572,086 S	7/2008	Matsumoto et al.
D573,846 S	7/2008	Moghavem
D574,671 S	8/2008	Chiang et al.
D575,113 S	8/2008	Chiang et al.
D575,114 S	8/2008	Moghavem
D589,346 S	3/2009	Hall
D600,111 S	9/2009	Gerulski et al.

(Continued)

Primary Examiner—Thomas J Johannes
(74) *Attorney, Agent, or Firm*—Frost Brown Todd LLC

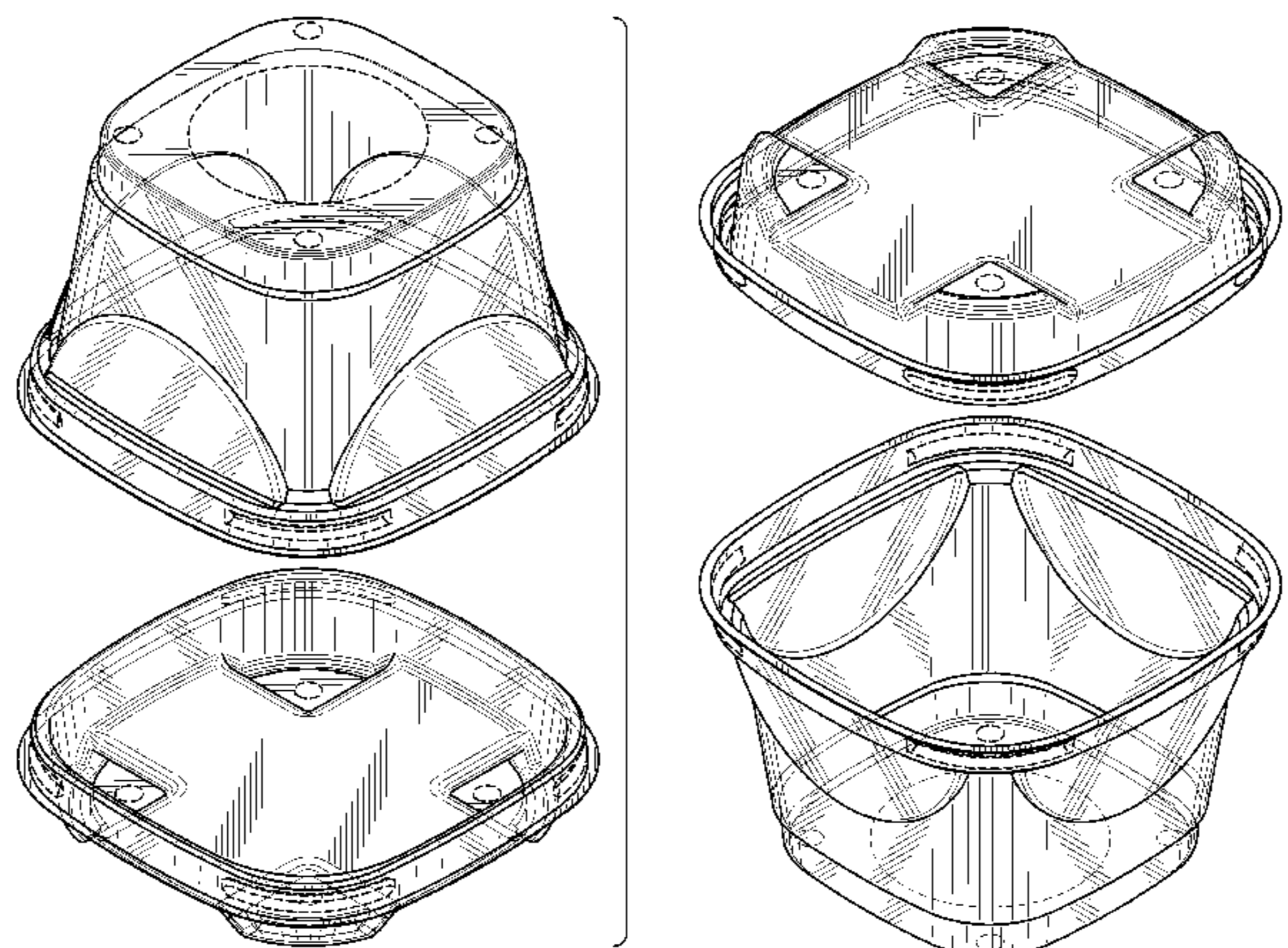
(57) **CLAIM**

The ornamental design for a food container, as shown and described.

DESCRIPTION

FIG. 1 is a top perspective view of a food container, showing our new design;
FIG. 2 is a bottom perspective view thereof;
FIG. 3 is a front elevation view thereof, the rear elevation view being identical thereto;
FIG. 4 is a side elevation view thereof, the opposite side elevation view being identical thereto;
FIG. 5 is a top plan view thereof; and,
FIG. 6 is a bottom plan view thereof.
The openings and lid retention features shown in broken lines are unclaimed environment, and form no part of the claimed design.

1 Claim, 6 Drawing Sheets



US D628,478 S

Page 2

U.S. PATENT DOCUMENTS

D604,605 S	11/2009	Chung et al.	D606,405 S	12/2009	Takata et al.	
D605,502 S	12/2009	Honda et al.	D606,406 S	12/2009	Takata et al.	
D606,402 S	12/2009	Diss	2004/0118737 A1 *	6/2004	Welsh et al. 206/508
D606,403 S	12/2009	Diss	2009/0120937 A1 *	5/2009	Vovan 220/266
D606,404 S	12/2009	Takata et al.	2009/0173656 A1 *	7/2009	Furlong 206/508

* cited by examiner

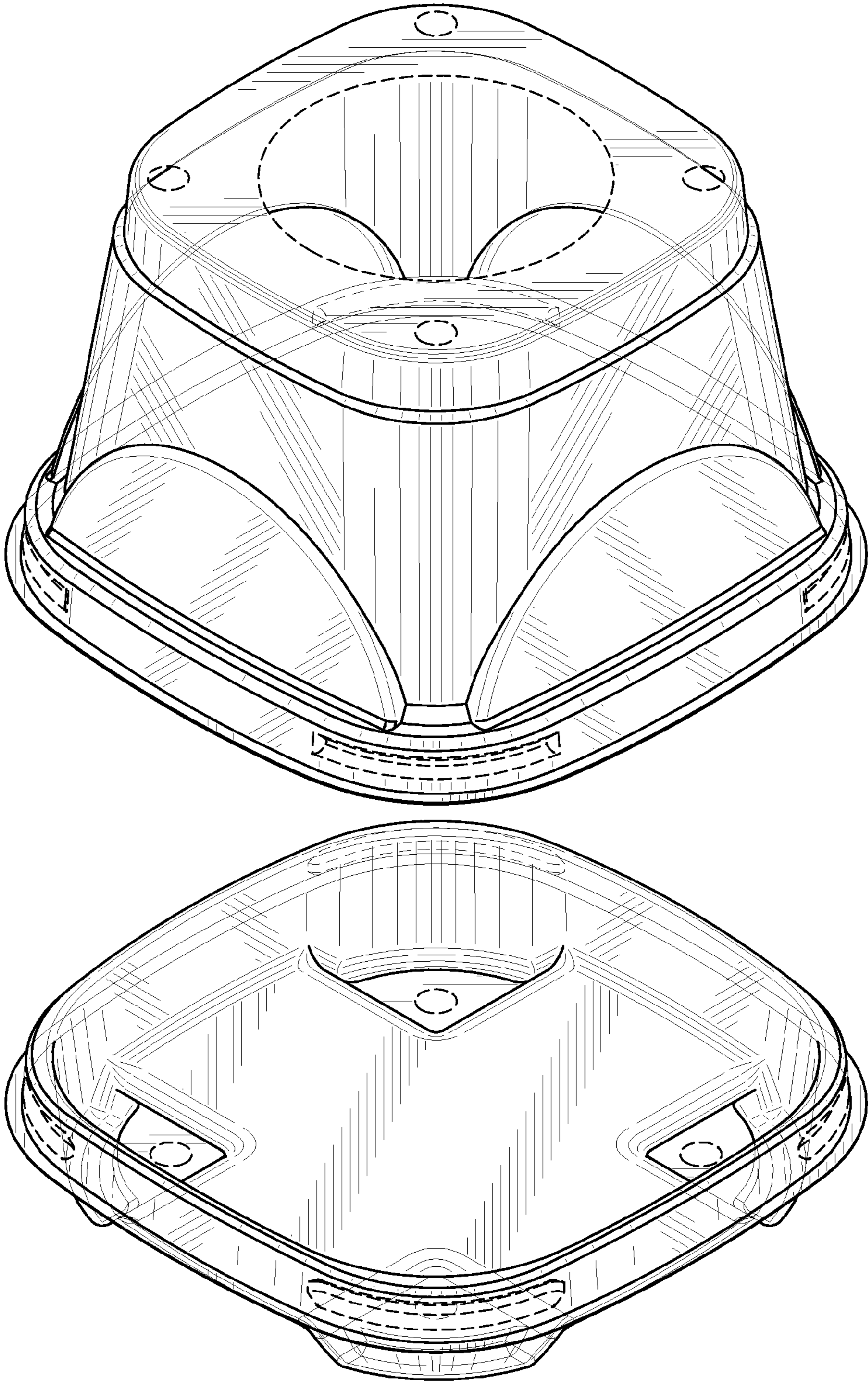


FIG. 1

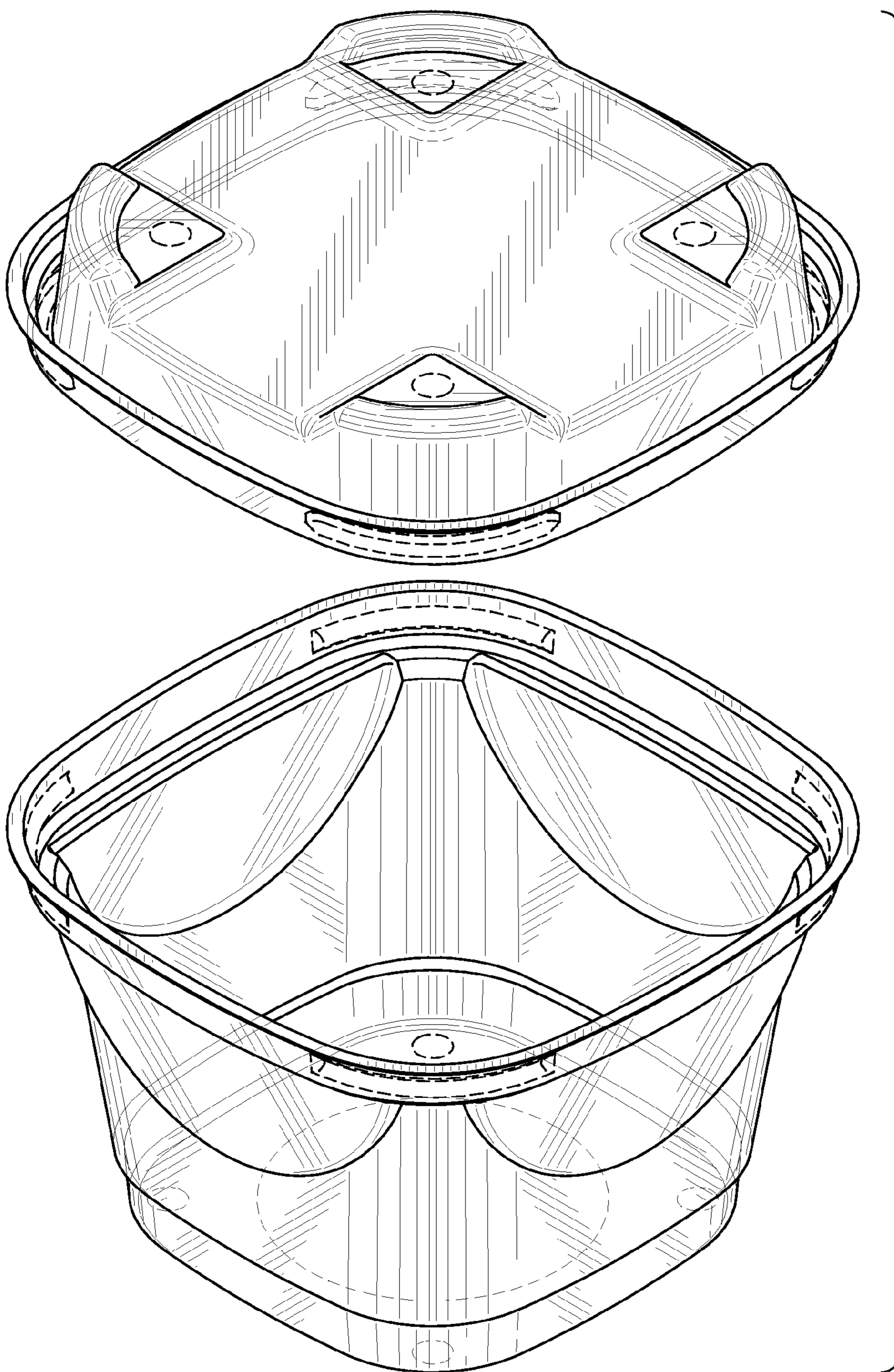


FIG. 2

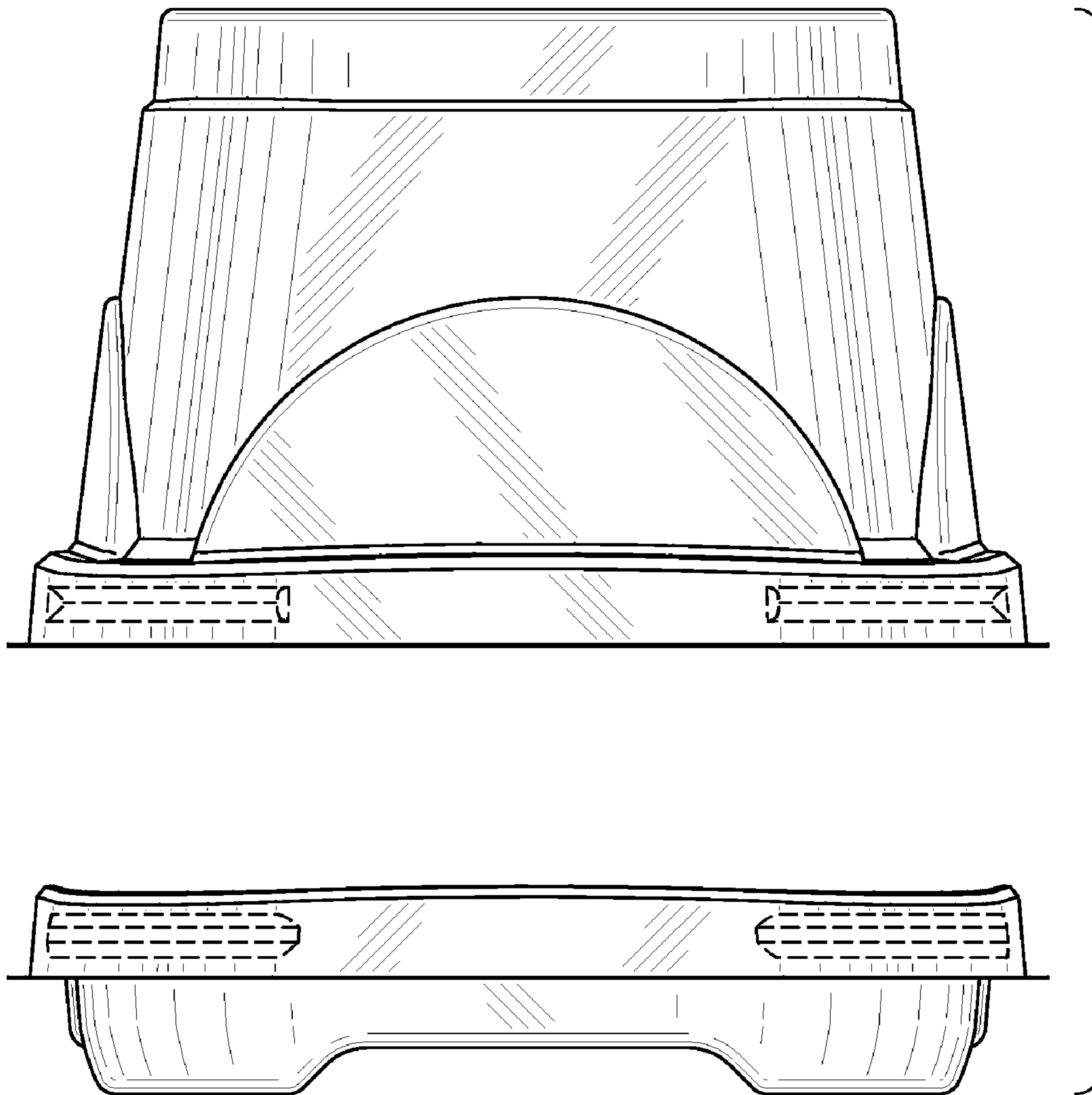


FIG. 3

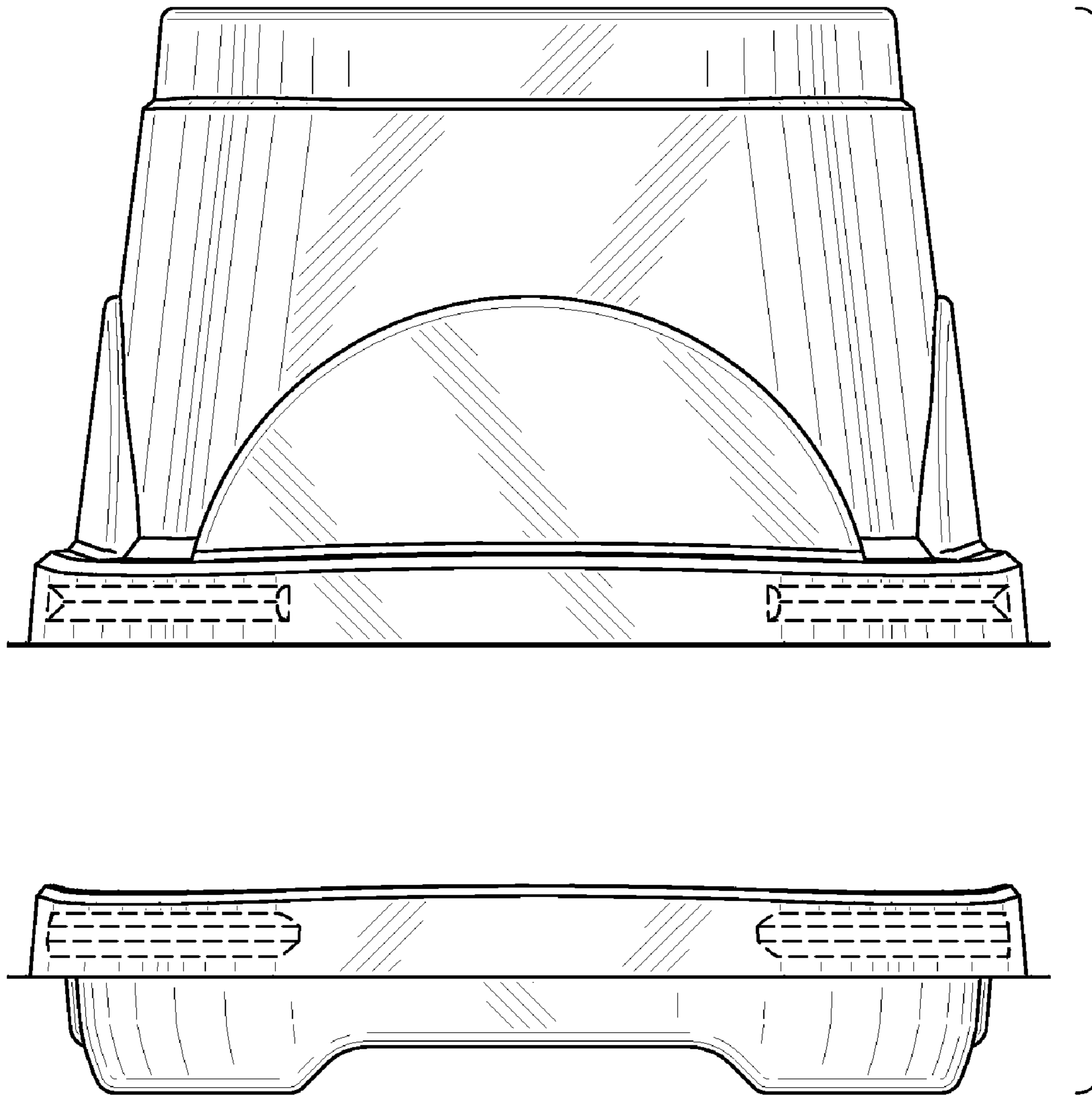


FIG. 4

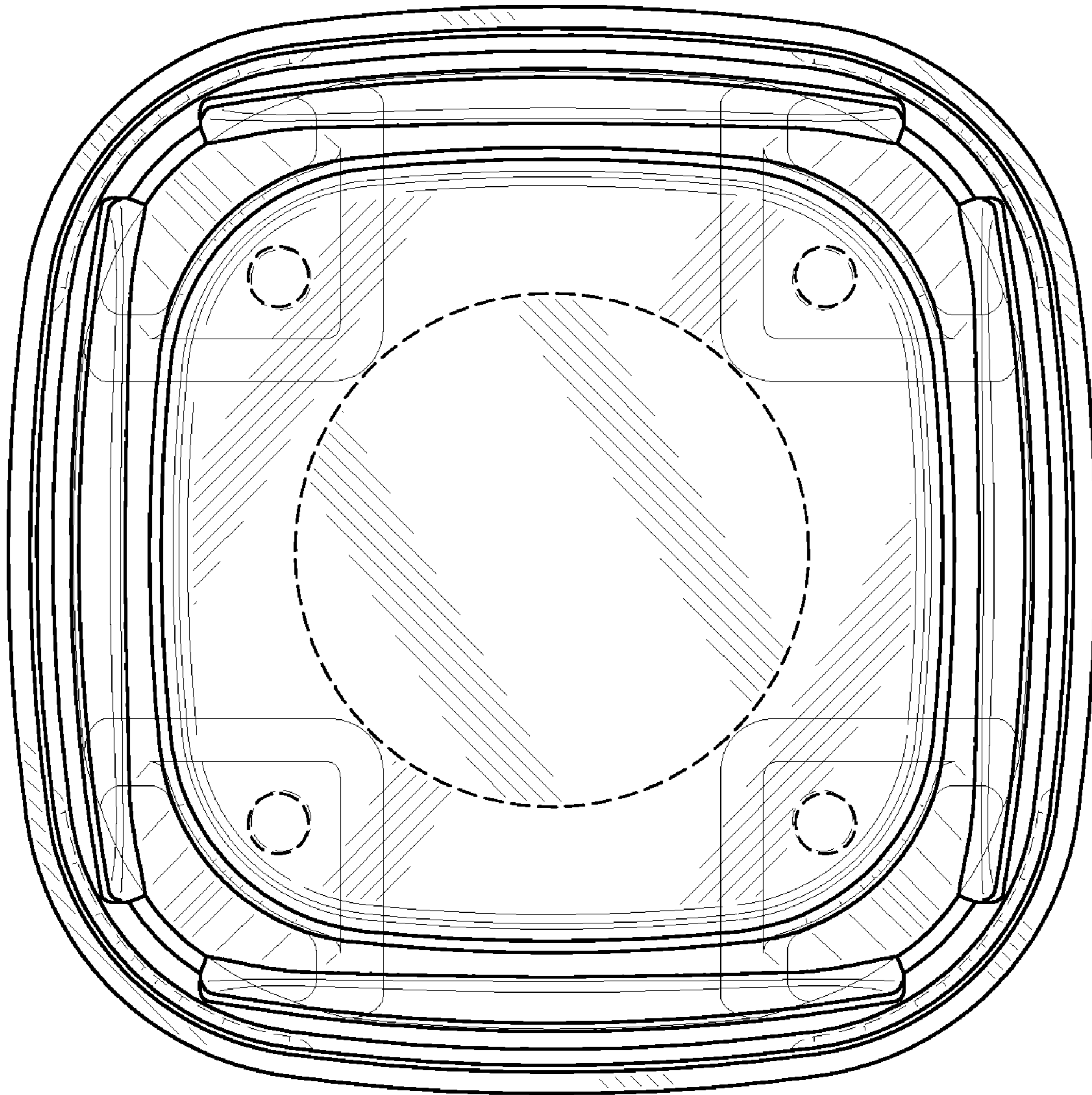


FIG. 5

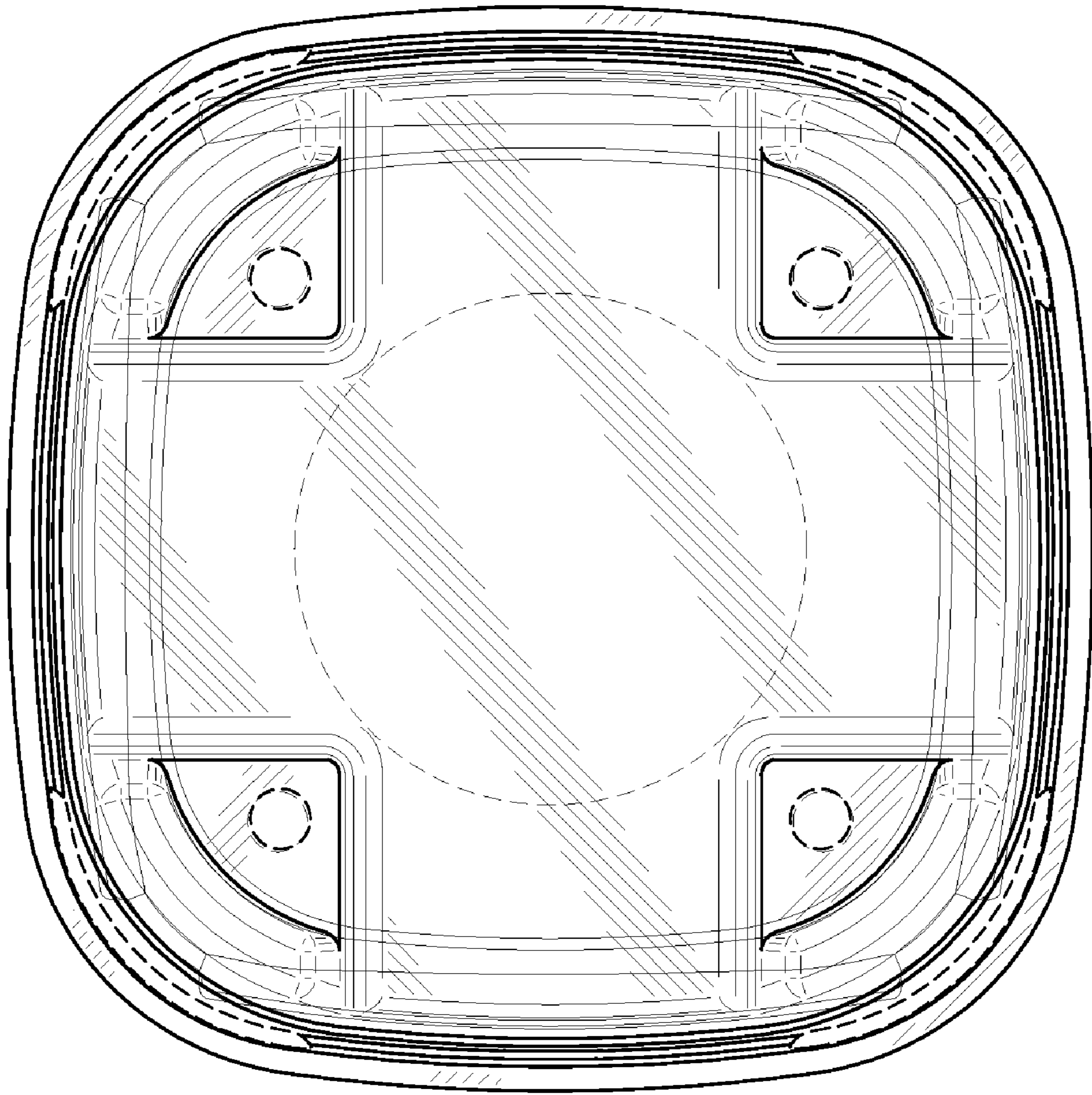


FIG. 6