



US00D628476S

(12) **United States Design Patent**
Vang

(10) **Patent No.:** **US D628,476 S**
(45) **Date of Patent:** **** Dec. 7, 2010**

(54) **CONTAINER**

(76) Inventor: **Teng Vang**, 5739 128th St. North, Hugo,
MN (US) 55038

(**) Term: **14 Years**

(21) Appl. No.: **29/335,863**

(22) Filed: **Apr. 23, 2009**

(51) **LOC (9) Cl.** **09-01**

(52) **U.S. Cl.** **D9/428; D7/619.1**

(58) **Field of Classification Search** D9/500,
D9/516, 520, 549, 558, 571, 572, 573, 574,
D9/575, 737, 738, 743, 745, 414, 424, 428;
215/381-385; D11/143; D7/387, 396.2,
D7/509, 602, 619.1; D3/201, 202; D12/419,
D12/420

See application file for complete search history.

(56) **References Cited**

U.S. PATENT DOCUMENTS

- D4,915 S * 5/1871 Alterbury D9/500
- 3,128,029 A * 4/1964 Price et al. 229/400
- D202,507 S * 10/1965 Shelby D7/523
- D205,368 S 7/1966 Makara
- 3,291,361 A * 12/1966 Commeyras 229/400
- 3,327,895 A * 6/1967 Mueller 206/519
- D209,225 S * 11/1967 Davis D7/532
- 3,375,954 A * 4/1968 Honkanen et al. 206/520
- 3,395,826 A * 8/1968 Belcher et al. 206/519
- 3,442,420 A * 5/1969 Edwards 206/520
- 3,471,075 A * 10/1969 Wolf 229/400
- 3,512,677 A * 5/1970 Kovac 206/520
- 3,754,699 A * 8/1973 Moore 229/400
- D240,019 S 5/1976 Taylor
- 4,096,947 A * 6/1978 Morse 206/519
- D248,916 S * 8/1978 Reynolds et al. D7/523
- D258,338 S * 2/1981 Gersin D7/584
- D270,813 S * 10/1983 Fortuna et al. D9/500
- D270,814 S * 10/1983 Edwards D9/520
- D280,078 S * 8/1985 Fortuna D9/500
- D285,654 S * 9/1986 MacLaughlin D9/500
- D291,659 S * 9/1987 Powell D9/414

- 4,865,199 A 9/1989 Zimmer
- D370,392 S 6/1996 Flanagan
- 5,720,516 A 2/1998 Young
- D397,915 S 9/1998 McNaughton
- 5,979,647 A * 11/1999 Han 206/222
- 6,109,580 A 8/2000 Stern

(Continued)

FOREIGN PATENT DOCUMENTS

EP 0 022 577 1/1981

(Continued)

Primary Examiner—Stella M Reid
Assistant Examiner—Elizabeth J Oswecki

(57) **CLAIM**

The ornamental design for container, as shown as described.

DESCRIPTION

FIG. 1 is a perspective view of a first embodiment of a container showing my new design, the portions shown in broken lines forming no part of the claimed design;

FIG. 2 is a front elevation view thereof;

FIG. 3 is a back elevation view thereof, the left side elevation view and right side elevation view being the same as the back elevation view;

FIG. 4 is a top plan view thereof;

FIG. 5 is a bottom plan view thereof;

FIG. 6 is a perspective view of a second embodiment of a container showing my new design;

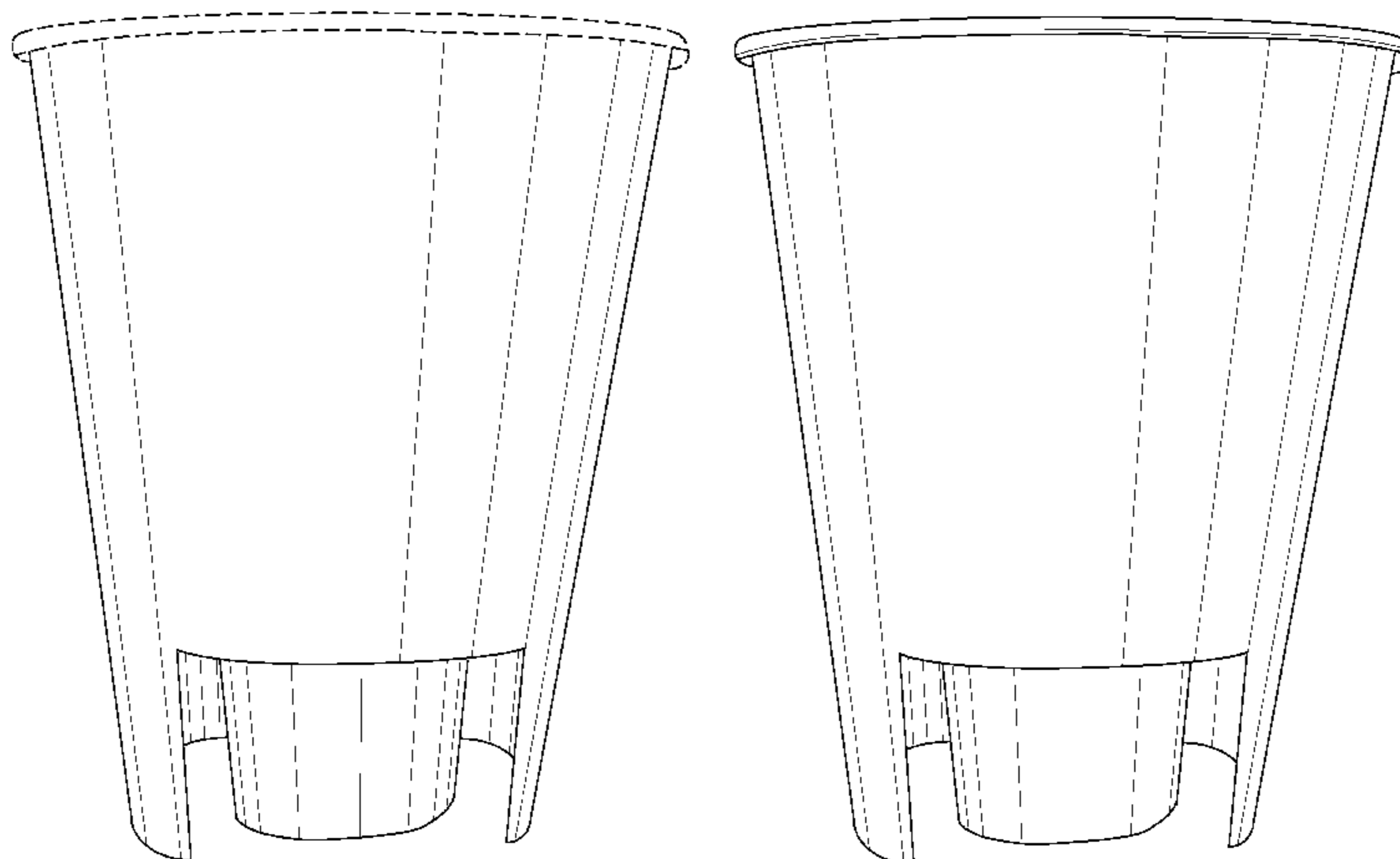
FIG. 7 is a front elevation view thereof;

FIG. 8 is a back elevation view thereof, the left side elevation view and right side elevation view being the same as the back elevation view;

FIG. 9 is a top plan view thereof; and,

FIG. 10 is a bottom plan view thereof.

1 Claim, 10 Drawing Sheets



US D628,476 S

Page 2

U.S. PATENT DOCUMENTS

D469,020 S * 1/2003 Mannion et al. D9/549
D515,437 S * 2/2006 Lopez-Garcia D9/737
D539,091 S * 3/2007 Mansfield D7/513
7,243,991 B2 7/2007 Ojeda
D552,421 S * 10/2007 Wolf D7/523
D552,930 S * 10/2007 Huffman et al. D7/523
D556,511 S * 12/2007 Mansfield D7/523
D568,156 S * 5/2008 Wilson et al. D9/500
D572,133 S * 7/2008 Wilson et al. D9/500
D577,288 S * 9/2008 Wilson et al. D9/500

D615,356 S * 5/2010 Hillebrenner D7/509
2003/0218013 A1 11/2003 Altman
2006/0016719 A1 1/2006 Cassese
2007/0261981 A1 11/2007 Ojeda
2008/0078773 A1 4/2008 Cassese
2009/0021058 A1 1/2009 Rajack

FOREIGN PATENT DOCUMENTS

JP 63-307057 12/1988

* cited by examiner

FIG. 1

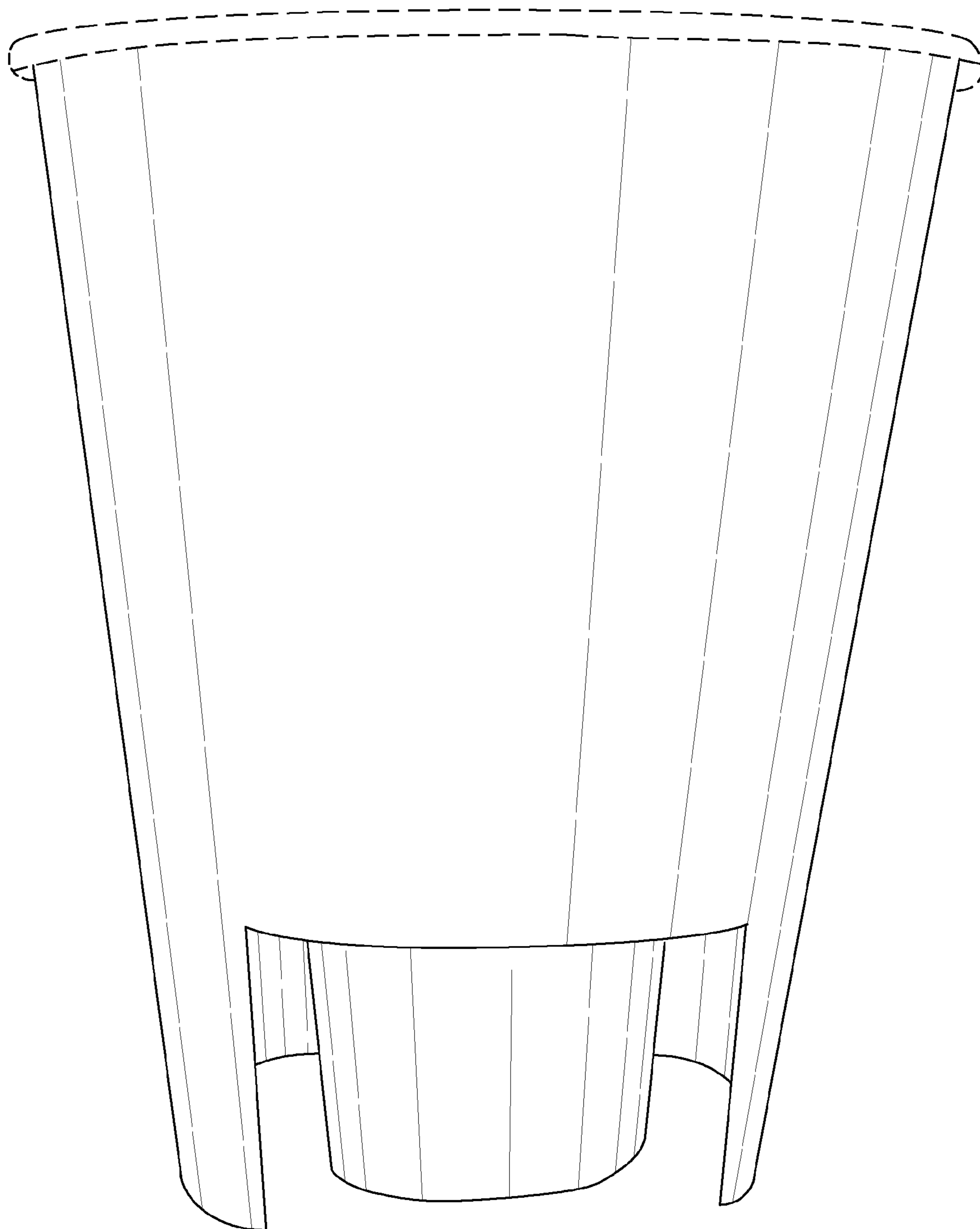


FIG. 2

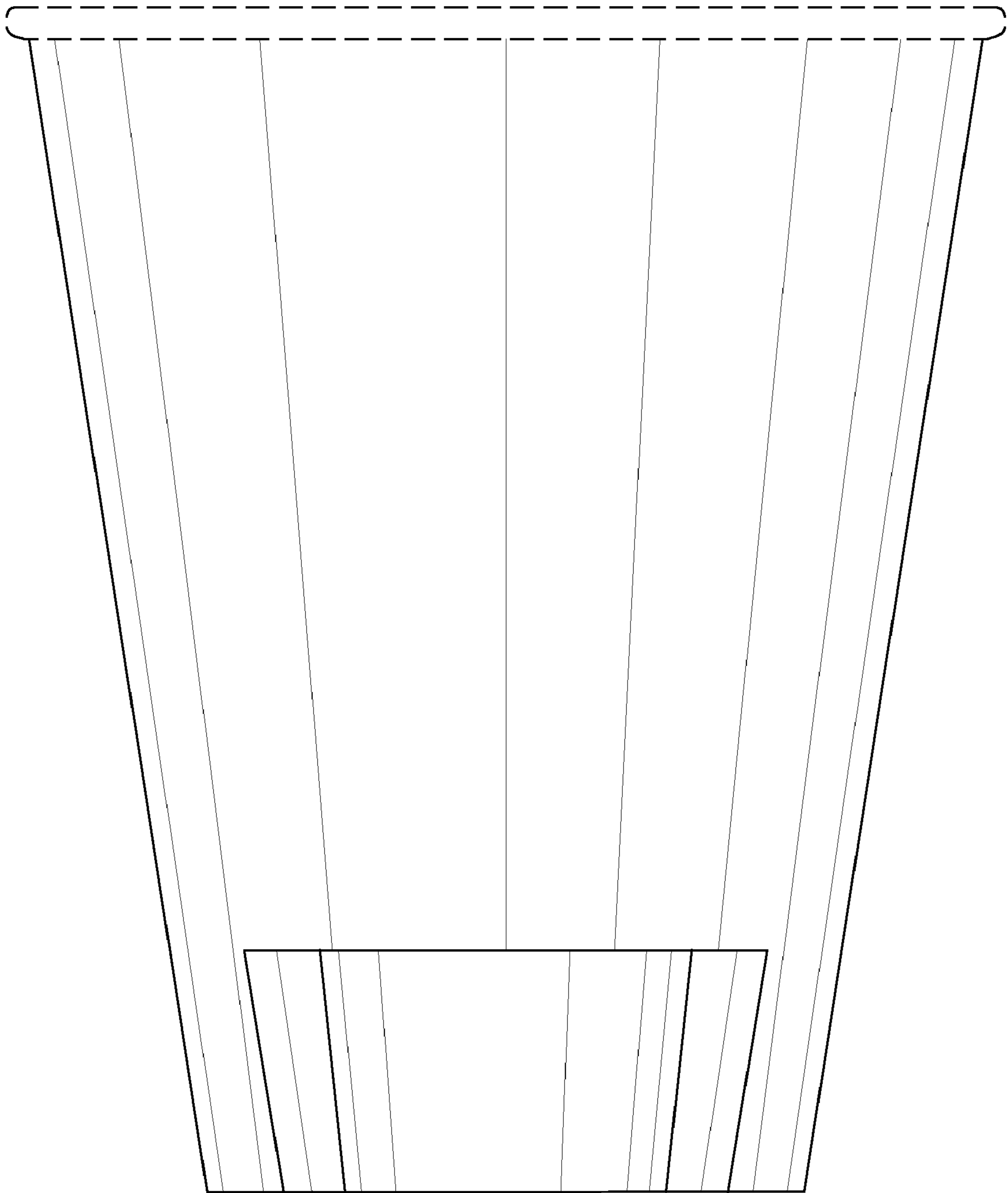


FIG. 3

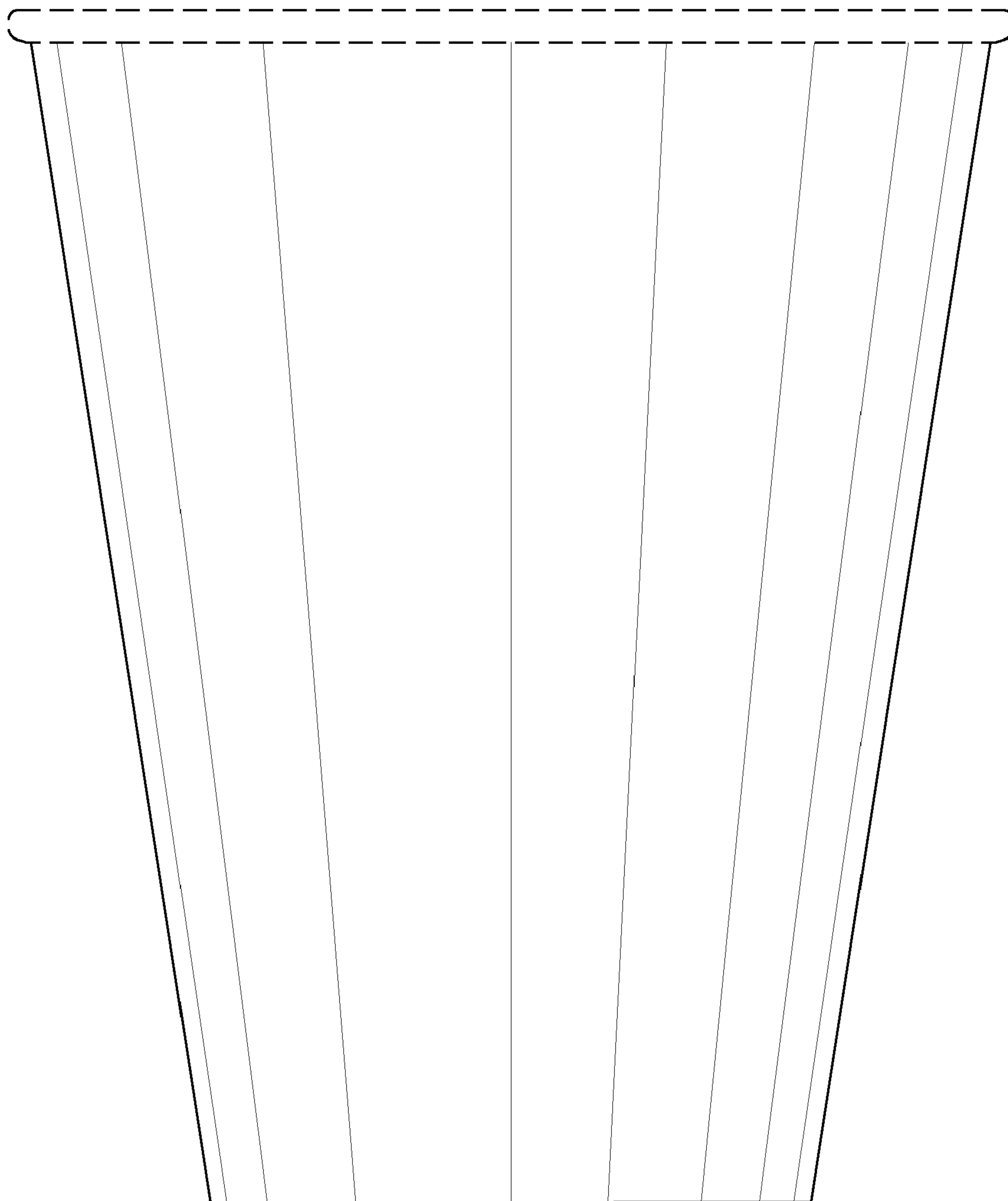


FIG. 4

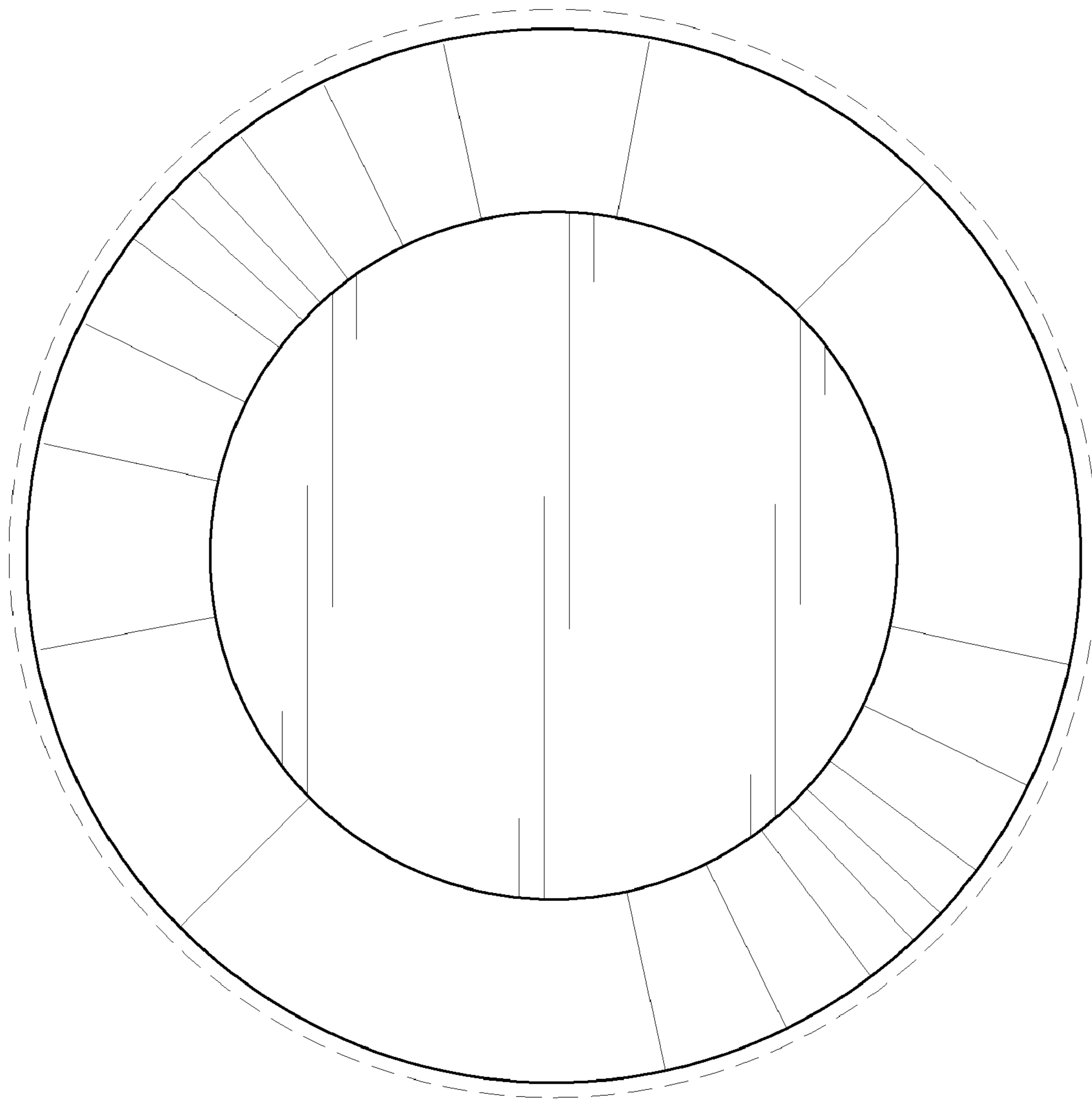


FIG. 5

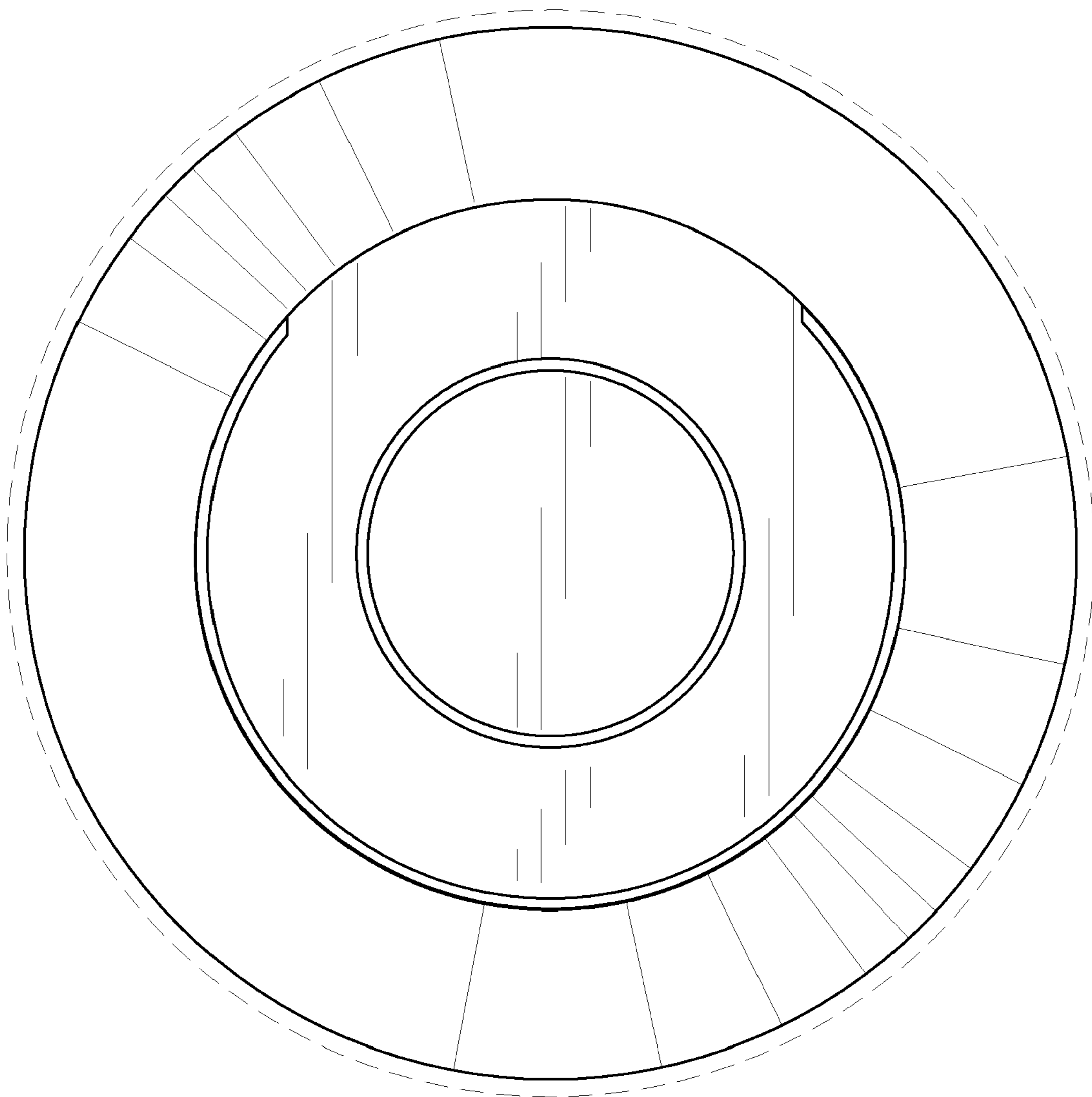


FIG. 6

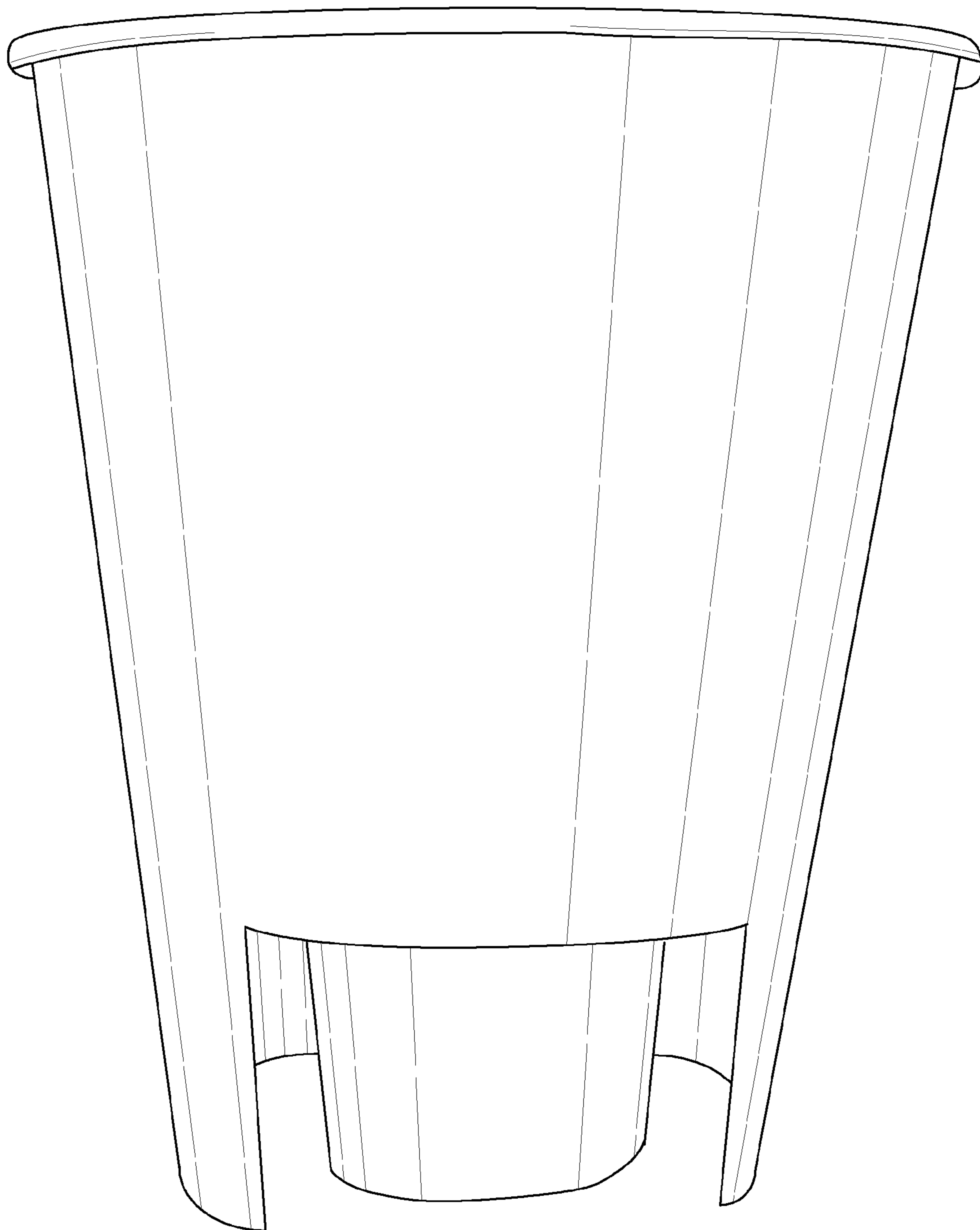


FIG. 7

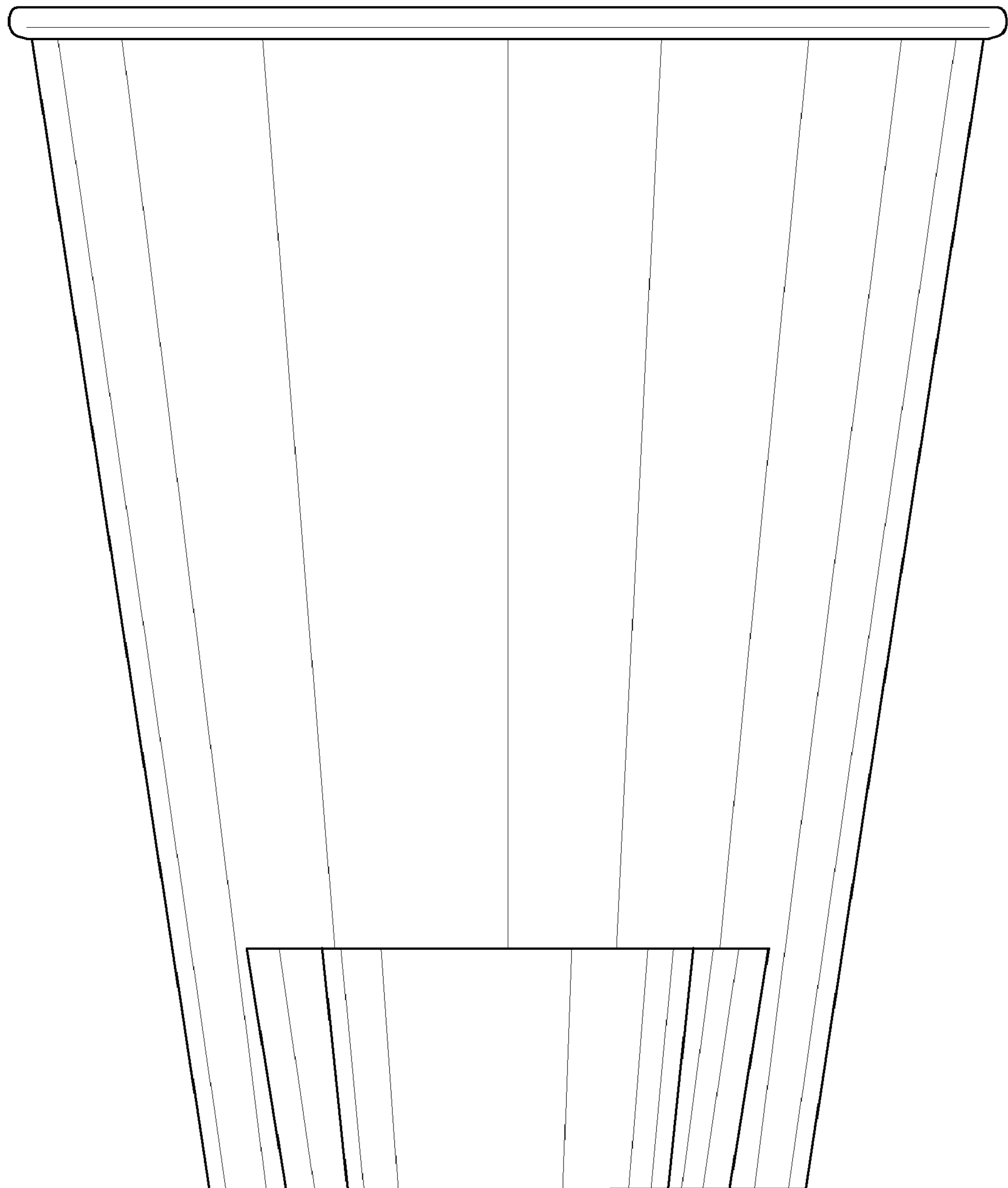


FIG. 8

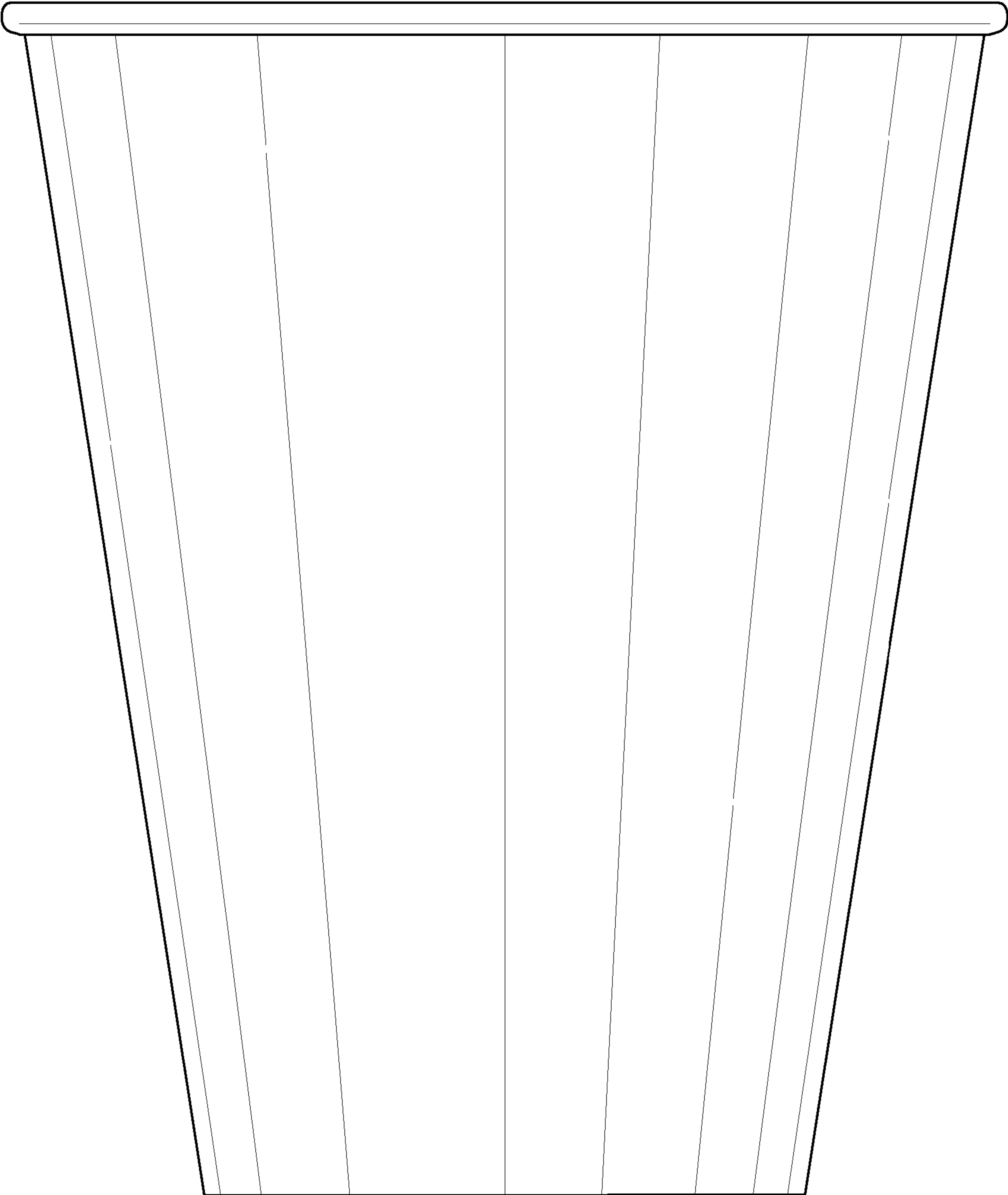


FIG. 9

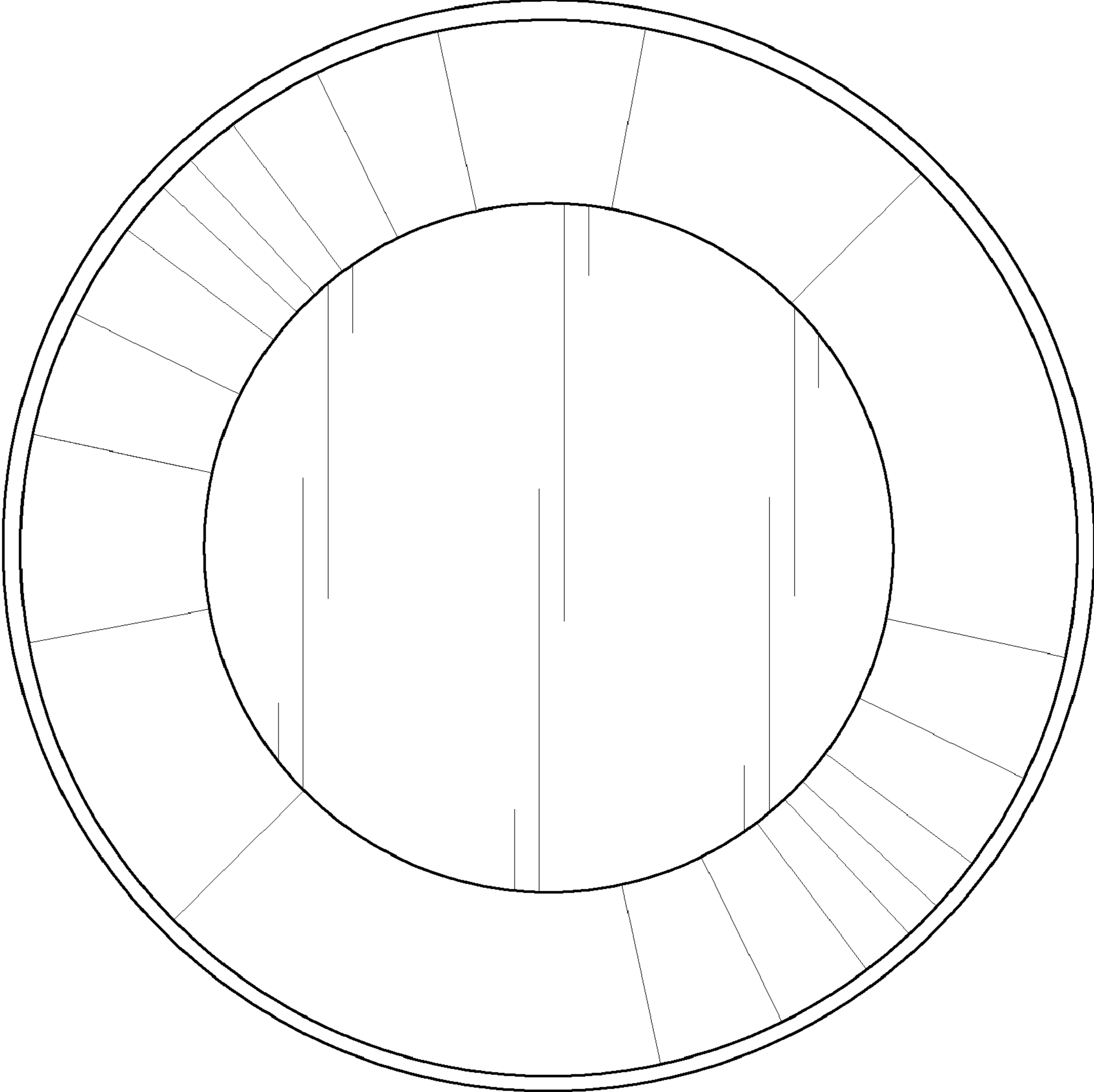


FIG. 10

