



US00D628475S

(12) **United States Design Patent**
Snedden et al.

(10) **Patent No.:** **US D628,475 S**

(45) **Date of Patent:** **** Dec. 7, 2010**

(54) **CONTAINER**

(75) Inventors: **Craig R. Snedden**, Culver City, CA (US); **Gandhi B. Sifuentes**, Whittier, CA (US); **Cesar E. Ramirez**, Van Nuys, CA (US)

(73) Assignee: **Direct Pack, Inc.**, Sun Valley, CA (US)

(**) Term: **14 Years**

(21) Appl. No.: **29/353,704**

(22) Filed: **Jan. 13, 2010**

(51) **LOC (9) Cl.** **09-03**

(52) **U.S. Cl.** **D9/426; D9/432**

(58) **Field of Classification Search** D9/414,
D9/418, 420, 423, 424, 425, 426, 431, 432;
210/465-470; 206/518, 519; 220/4.23-4.25,
220/833; 229/406

See application file for complete search history.

(56) **References Cited**

U.S. PATENT DOCUMENTS

D251,657 S	*	4/1979	Jewell	D9/426
4,976,370 A	*	12/1990	Cassel	220/792
5,258,212 A	*	11/1993	Tomaru et al.	428/36.8
D358,328 S	*	5/1995	Huerto et al.	D9/435
D448,288 S	*	9/2001	Zettle et al.	D9/425
D530,198 S	*	10/2006	Snedden et al.	D9/432
D539,100 S		3/2007	Zhao		
D553,444 S		10/2007	de Groote et al.		
D553,490 S		10/2007	Yang		

D554,498 S	11/2007	Lovett
D554,502 S	11/2007	Hoffman et al.
D557,601 S	12/2007	Minidus
D569,243 S	5/2008	Kidd et al.
D577,578 S	9/2008	Lynn et al.
D583,659 S	12/2008	Lyon et al.
D587,109 S	2/2009	Lyon et al.
D588,451 S	3/2009	Snedden et al.
D601,011 S	9/2009	Maslowski

* cited by examiner

Primary Examiner—Daniel D Bui

Assistant Examiner—Thomas J Johannes

(74) *Attorney, Agent, or Firm*—Frost Brown Todd LLC

(57) **CLAIM**

The ornamental design for a container, as shown and described.

DESCRIPTION

FIG. 1 is a top perspective view of a container, showing our new design;

FIG. 2 is a bottom perspective view thereof;

FIG. 3 is a top plan view thereof;

FIG. 4 is a bottom plan view thereof;

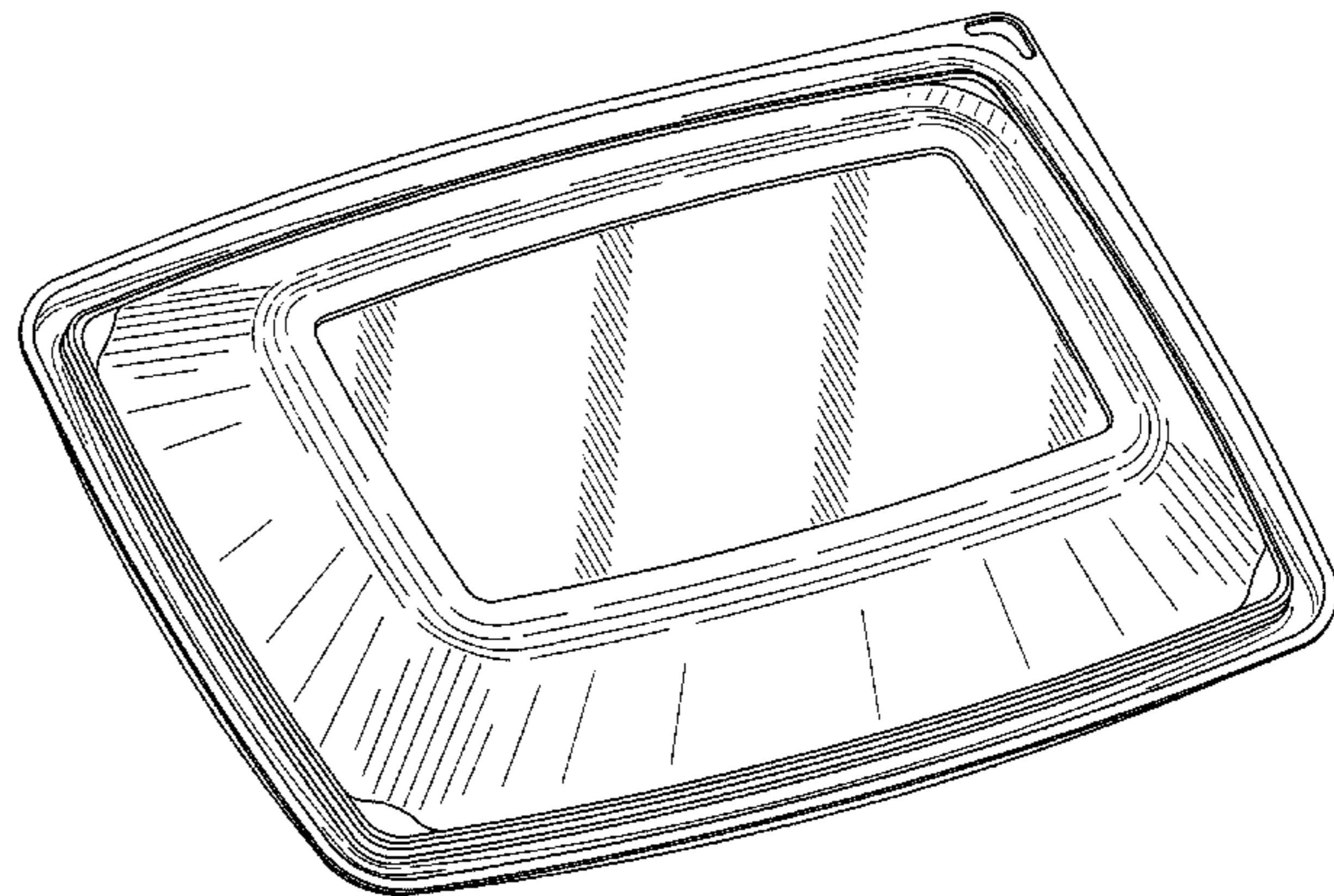
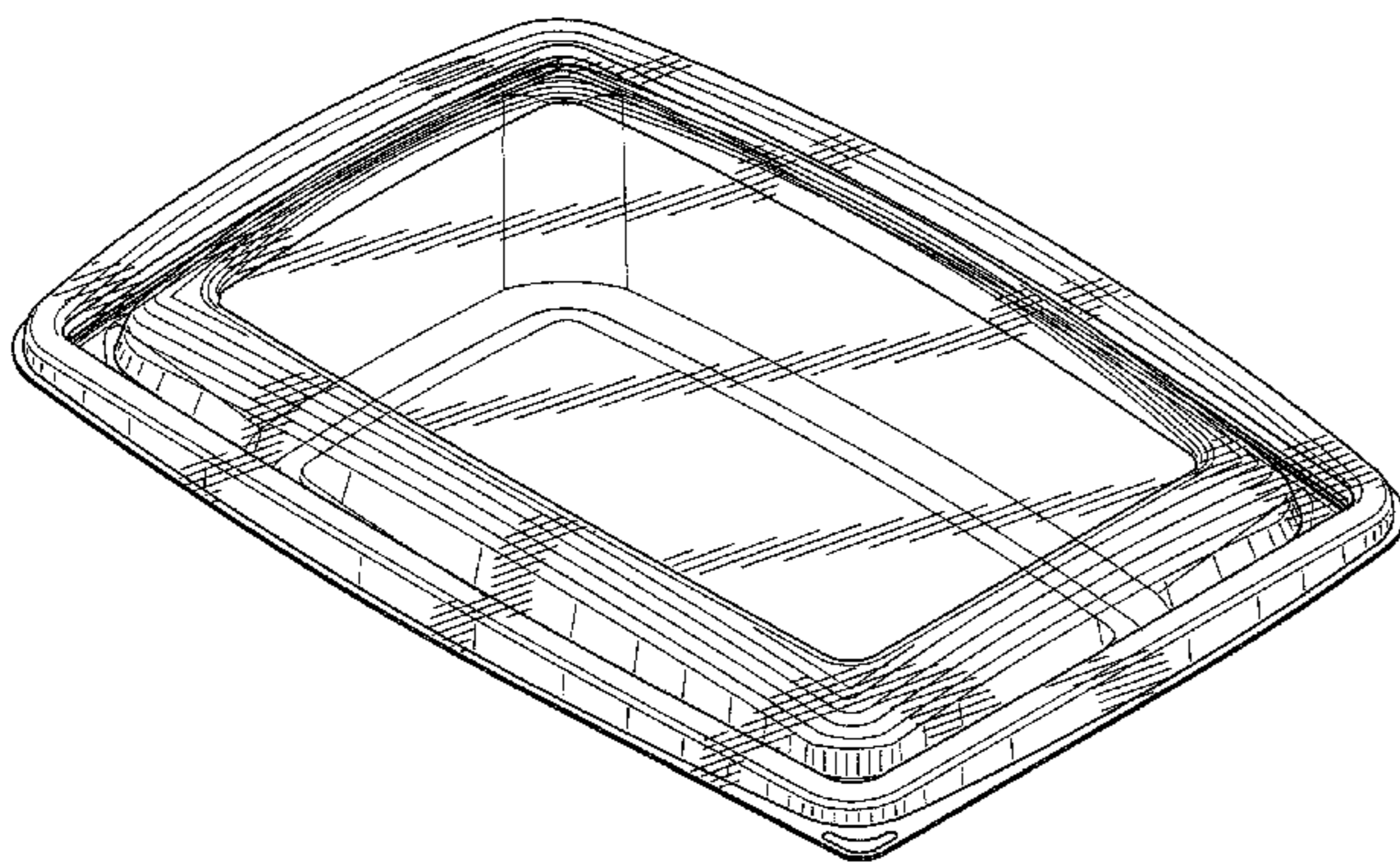
FIG. 5 is a front elevation view thereof;

FIG. 6 is a back elevation view thereof;

FIG. 7 is a right elevation view thereof; and,

FIG. 8 is a left elevation view thereof.

1 Claim, 6 Drawing Sheets



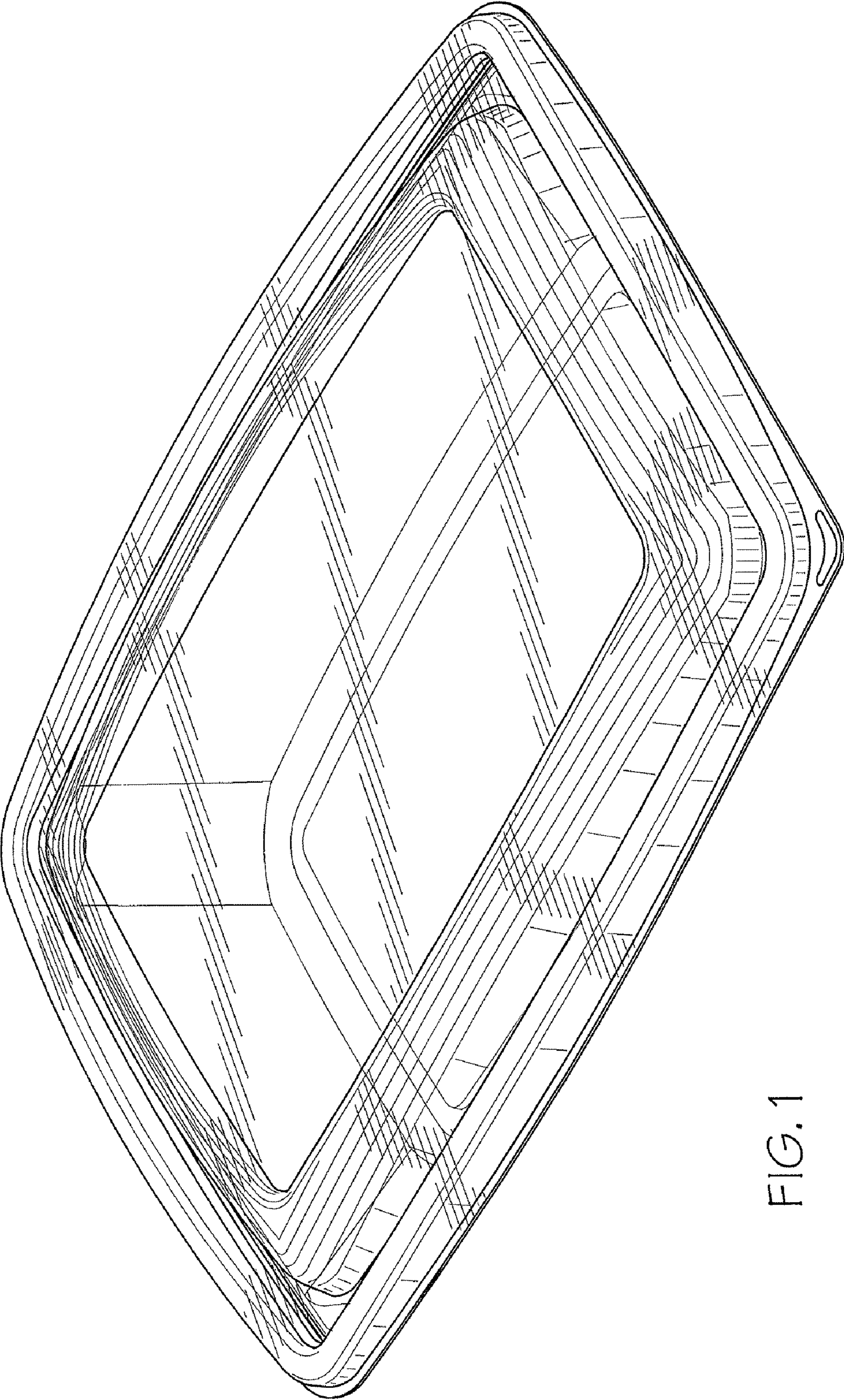


FIG. 1

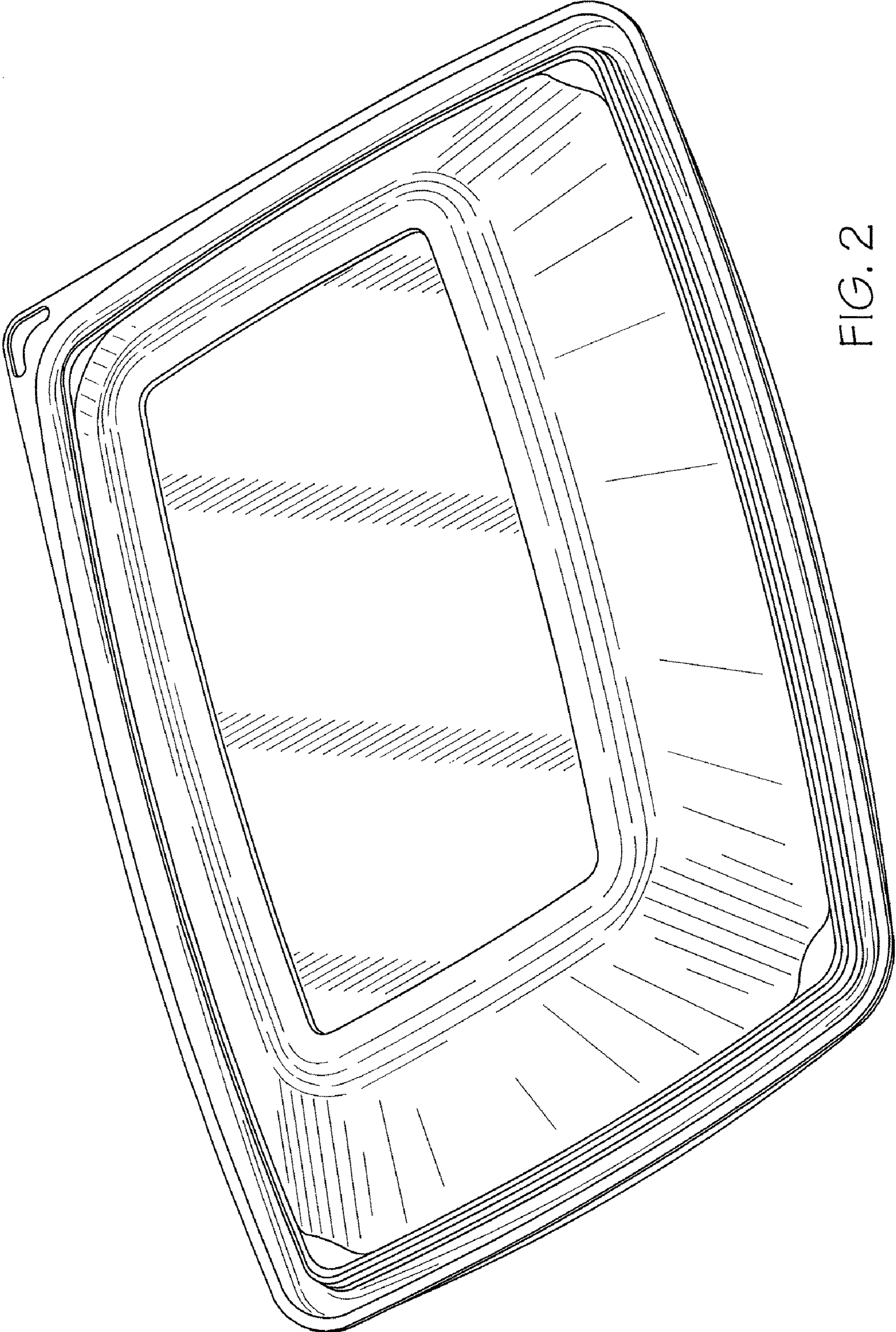


FIG. 2

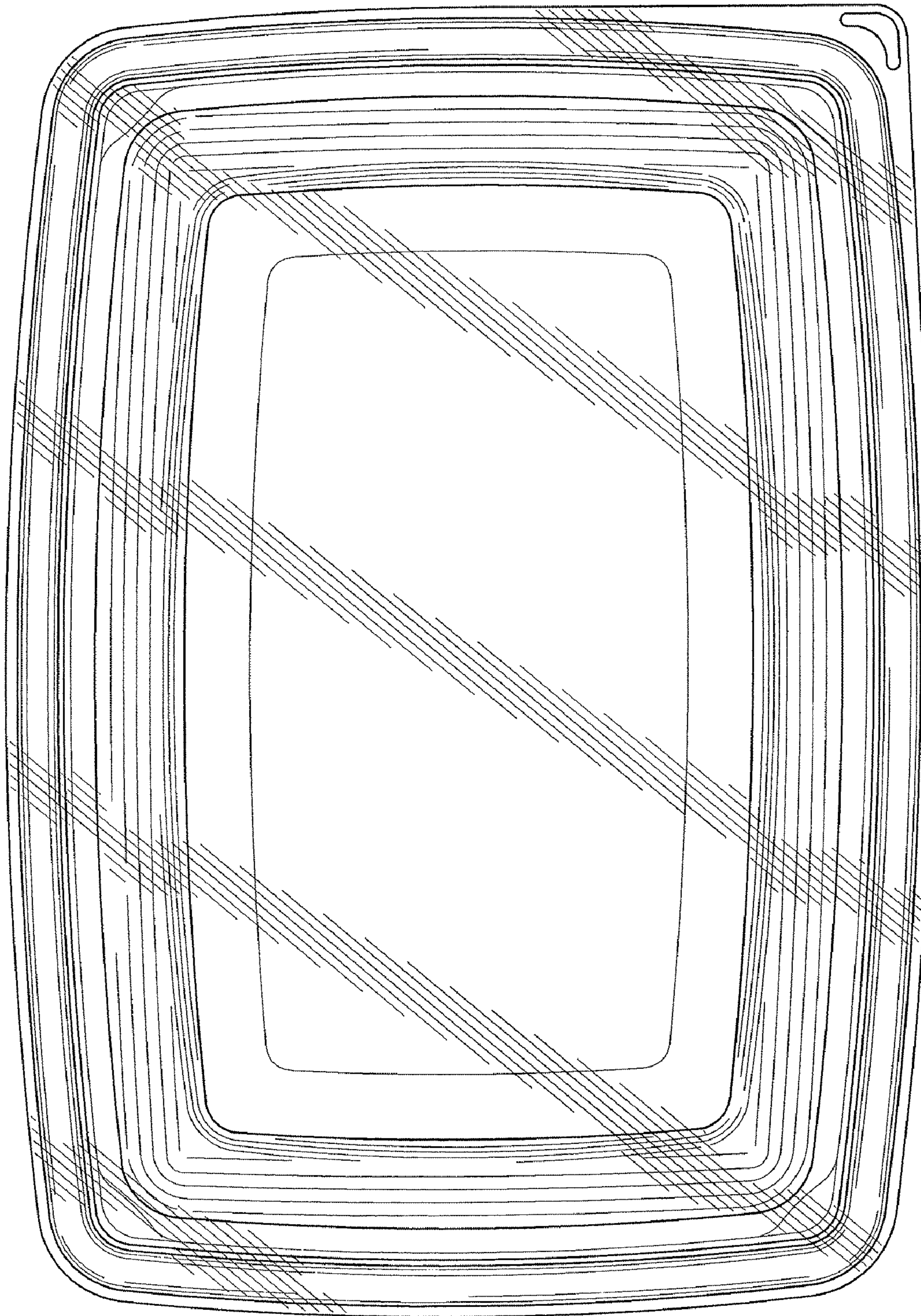


FIG. 3

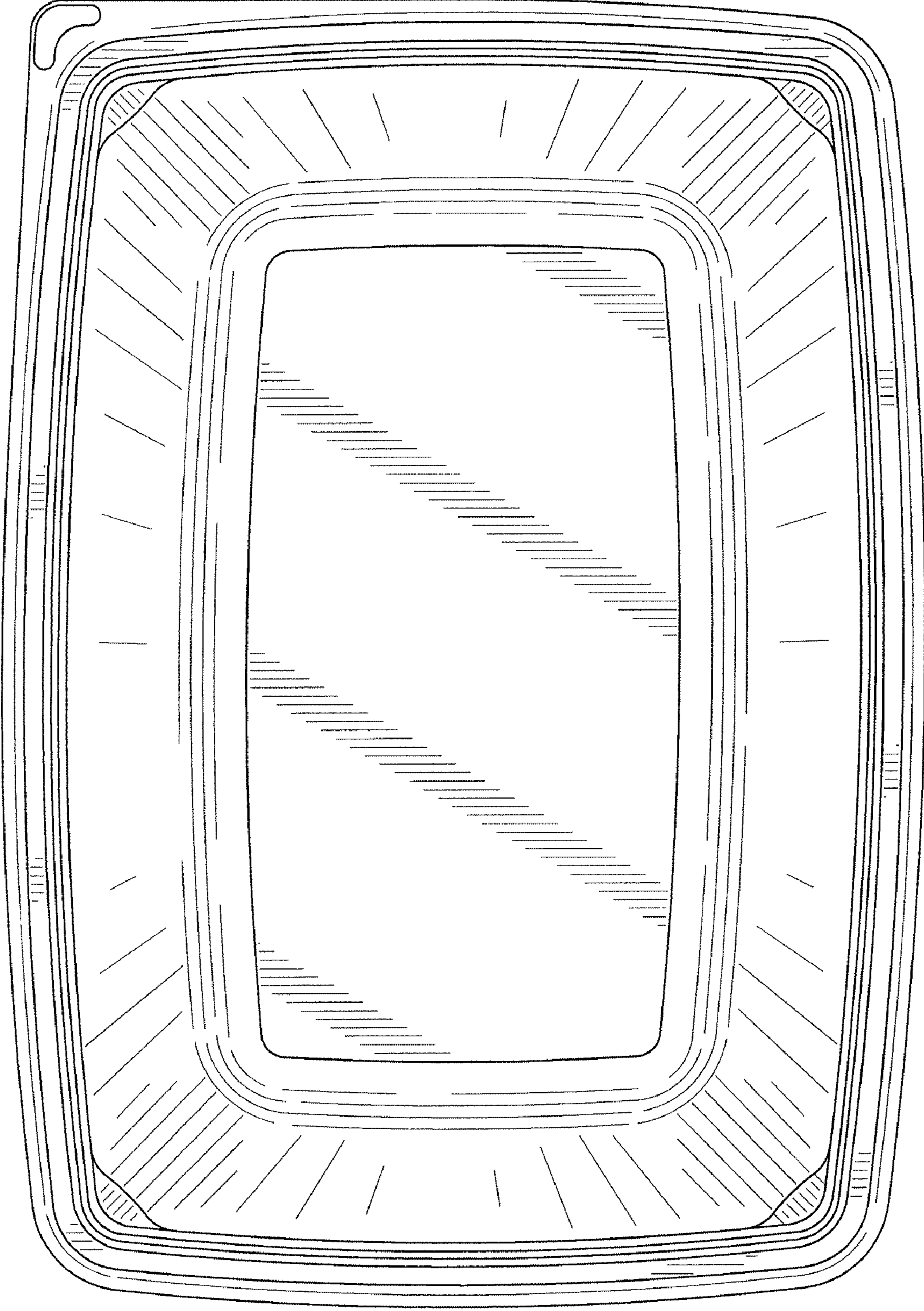


FIG. 4

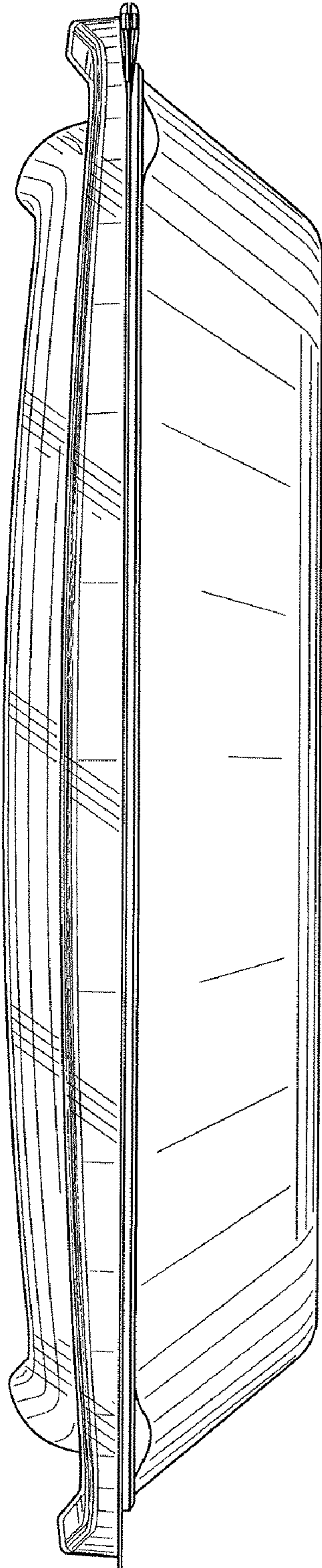


FIG. 5

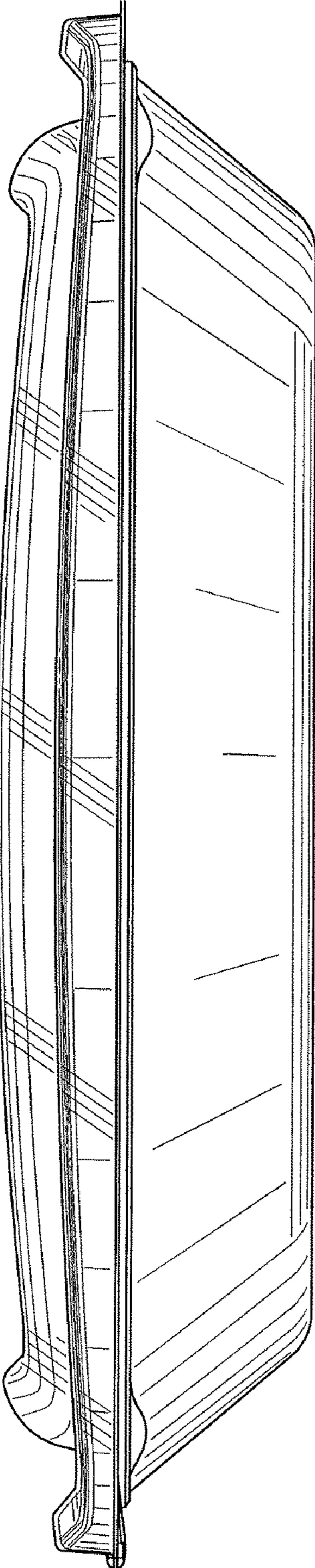


FIG. 6

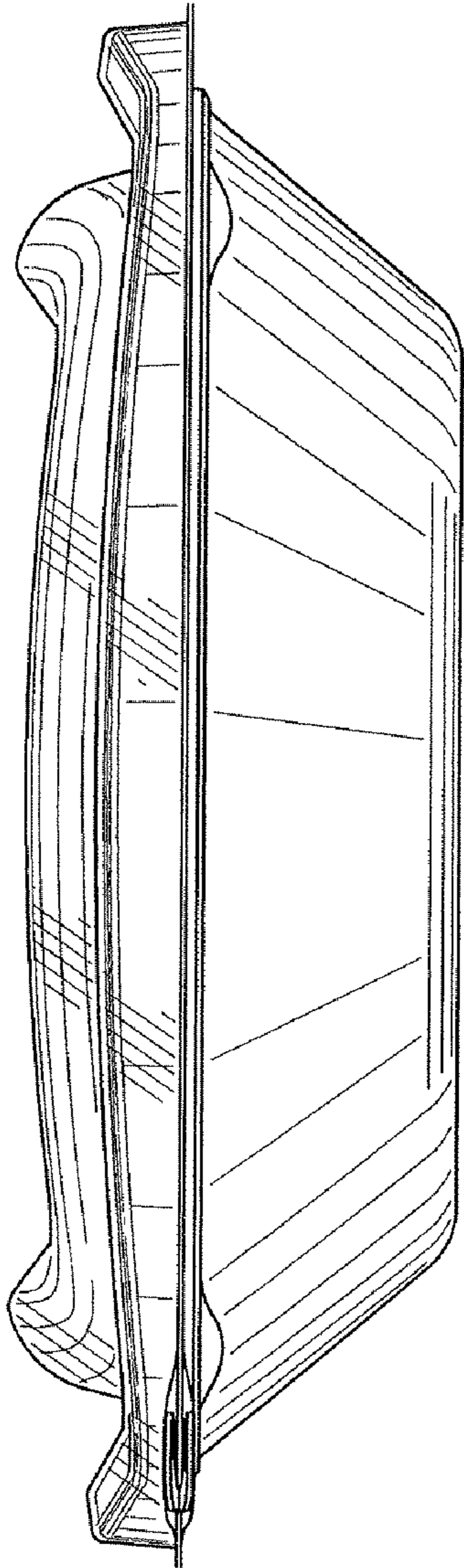


FIG. 7

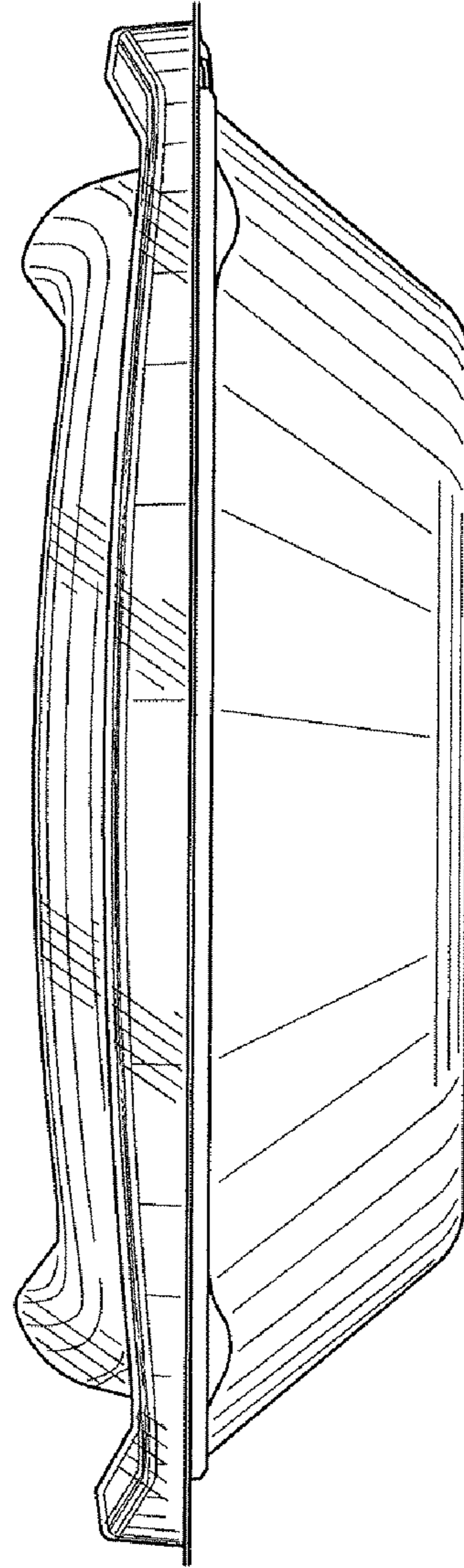


FIG. 8