



US00D628470S

(12) **United States Design Patent**
Golota et al.

(10) **Patent No.:** **US D628,470 S**

(45) **Date of Patent:** **** Dec. 7, 2010**

(54) **PACKAGE**

(75) Inventors: **George A. Golota**, Glenview, IL (US);
Michael A. Drozek, Palatine, IL (US);
James J. Sanfilippo, Barrington, IL
(US); **John E. Sanfilippo**, Barrington
Hills, IL (US); **Francisco J. Soria**, West
Chicago, IL (US)

(73) Assignee: **Clear Lam Packaging, Inc.**, Elk Grove
Village, IL (US)

(**) Term: **14 Years**

(21) Appl. No.: **29/346,555**

(22) Filed: **Nov. 2, 2009**

(51) **LOC (9) Cl.** **09-03**

(52) **U.S. Cl.** **D9/425**

(58) **Field of Classification Search** D9/414,
D9/419, 424, 425, 430, 431, 432, 435, 737,
D9/761; D7/538, 549, 550.1, 601-603, 605,
D7/629; 220/23.4, 23.6, 266, 281, 315, 318,
220/500, 659, 669, 674, 675, 696, 752, 760,
220/790, 793, DIG. 12, FOR. 117; 229/105,
229/117.09, 117.26, 189, 406, 407, 902,
229/905, 915.1; 206/508; D3/276

See application file for complete search history.

(56) **References Cited**

U.S. PATENT DOCUMENTS

D316,513 S * 4/1991 Wolff D9/431

D319,978 S * 9/1991 Wolff D9/431
D529,798 S * 10/2006 Snedden et al. D9/432
2010/0084401 A1* 4/2010 Golota et al. 220/270

* cited by examiner

Primary Examiner—Daniel D Bui

Assistant Examiner—Thomas J Johannes

(57) **CLAIM**

The ornamental design for a package, as shown and described.

DESCRIPTION

FIG. 1 is a perspective view of the bottom of the package showing our new design;

FIG. 2 is a perspective view of the top thereof;

FIG. 3 is a bottom plan view thereof;

FIG. 4 is a top plan view thereof;

FIG. 5 is a side elevation view thereof;

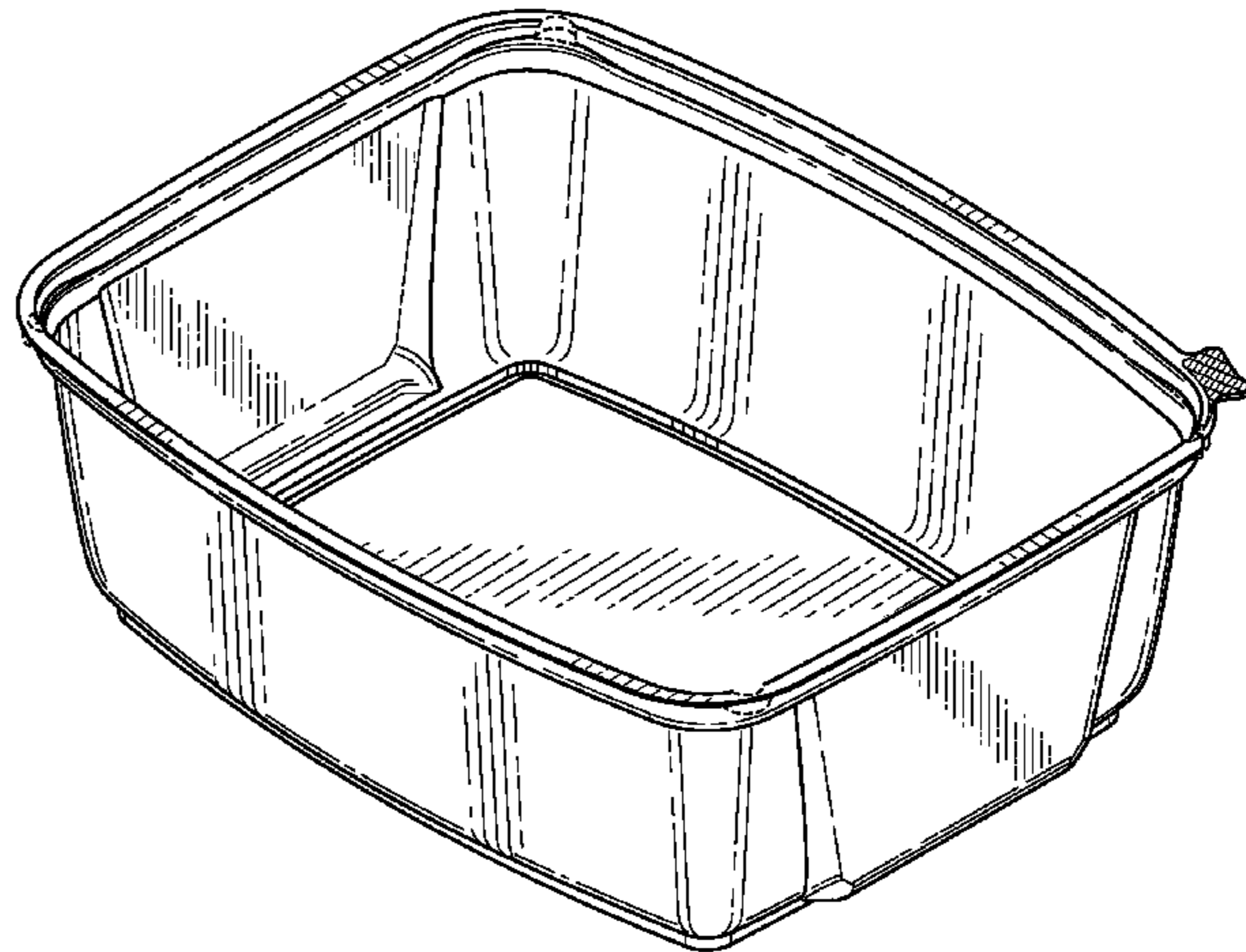
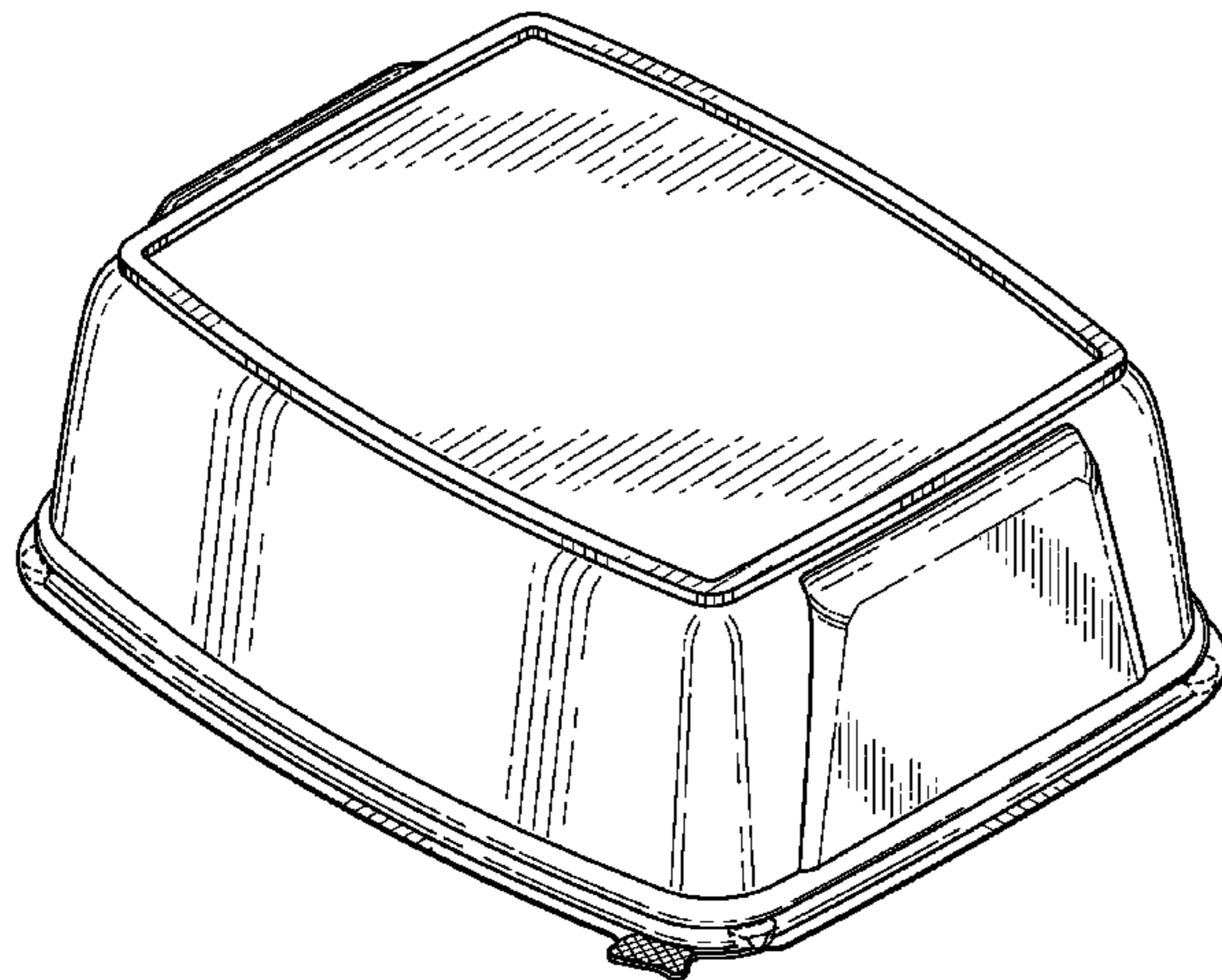
FIG. 6 is a side elevation view thereof;

FIG. 7 is a side elevation view thereof; and,

FIG. 8 is a side elevation view thereof.

The broken line portion of the figure drawings is included to show unclaimed subject matter only and forms no part of the claimed design.

1 Claim, 5 Drawing Sheets



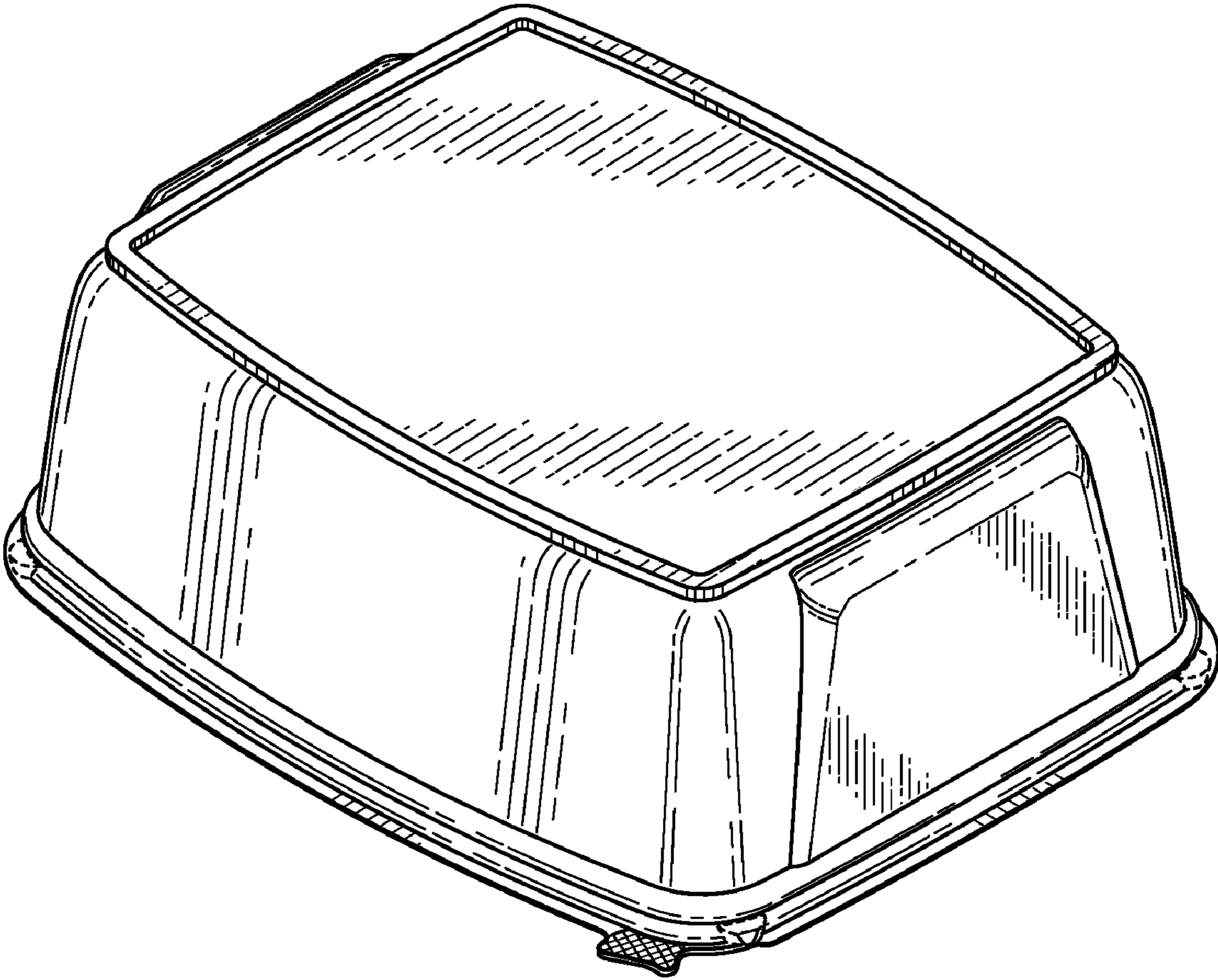


FIG. 1

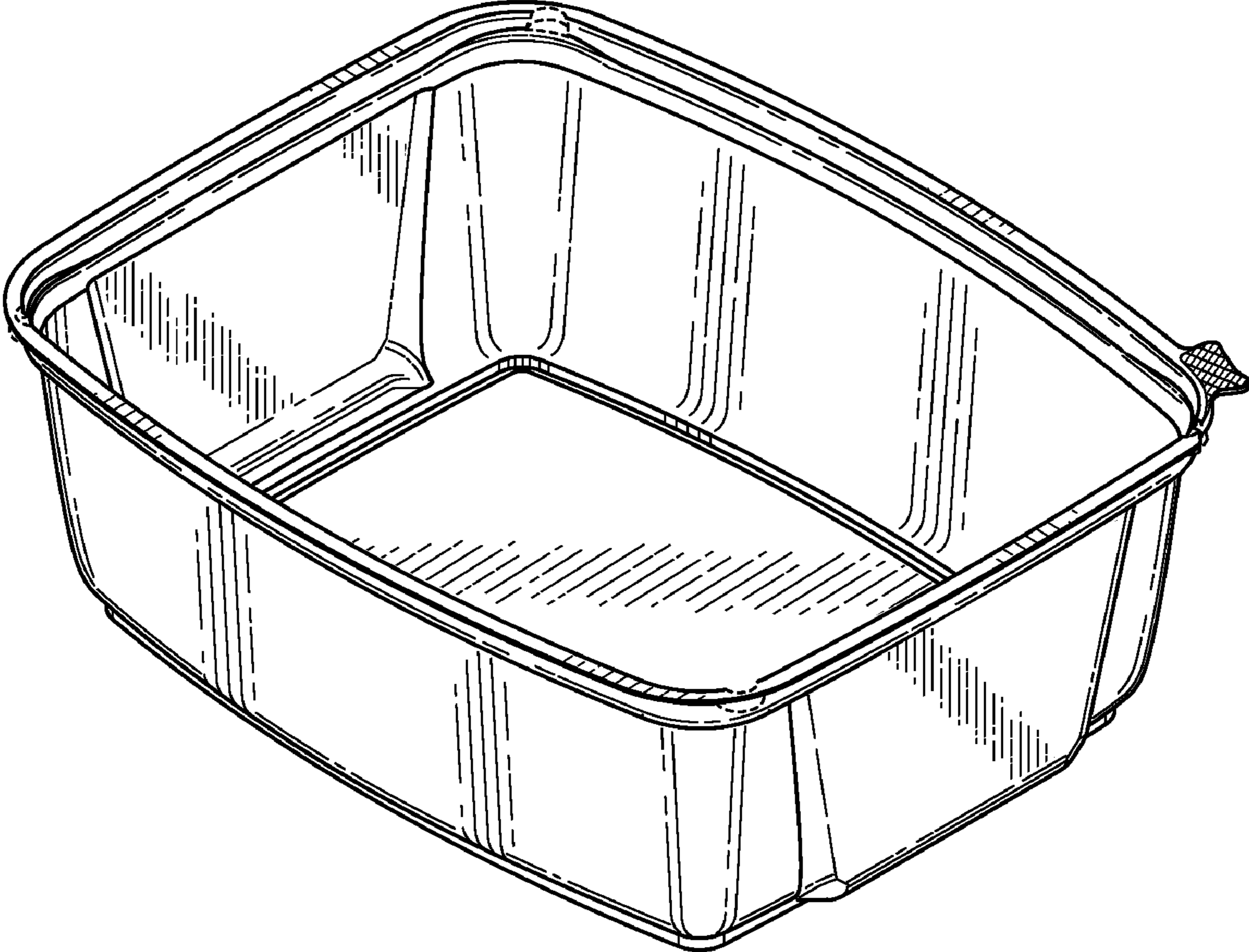


FIG. 2

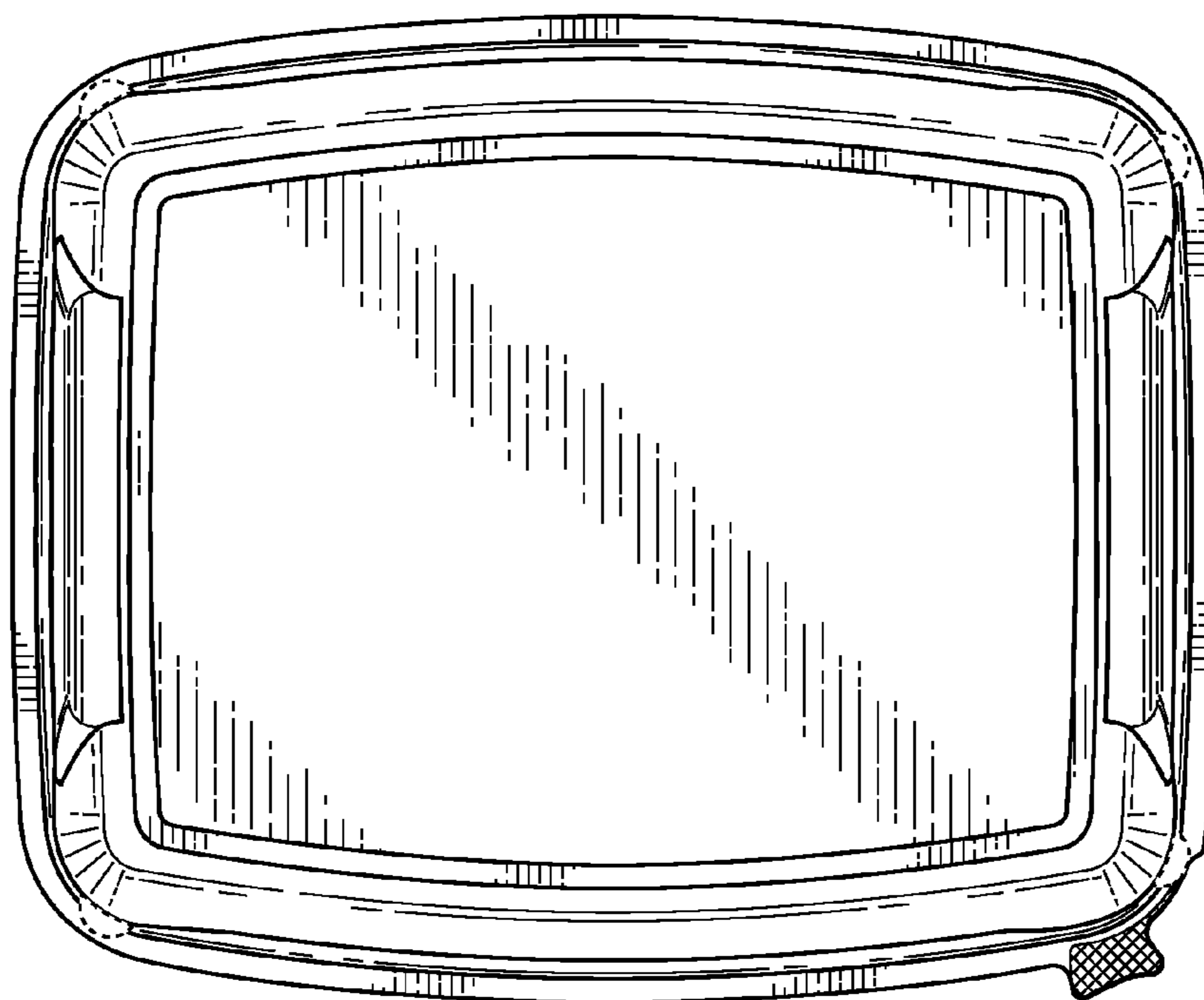


FIG. 3

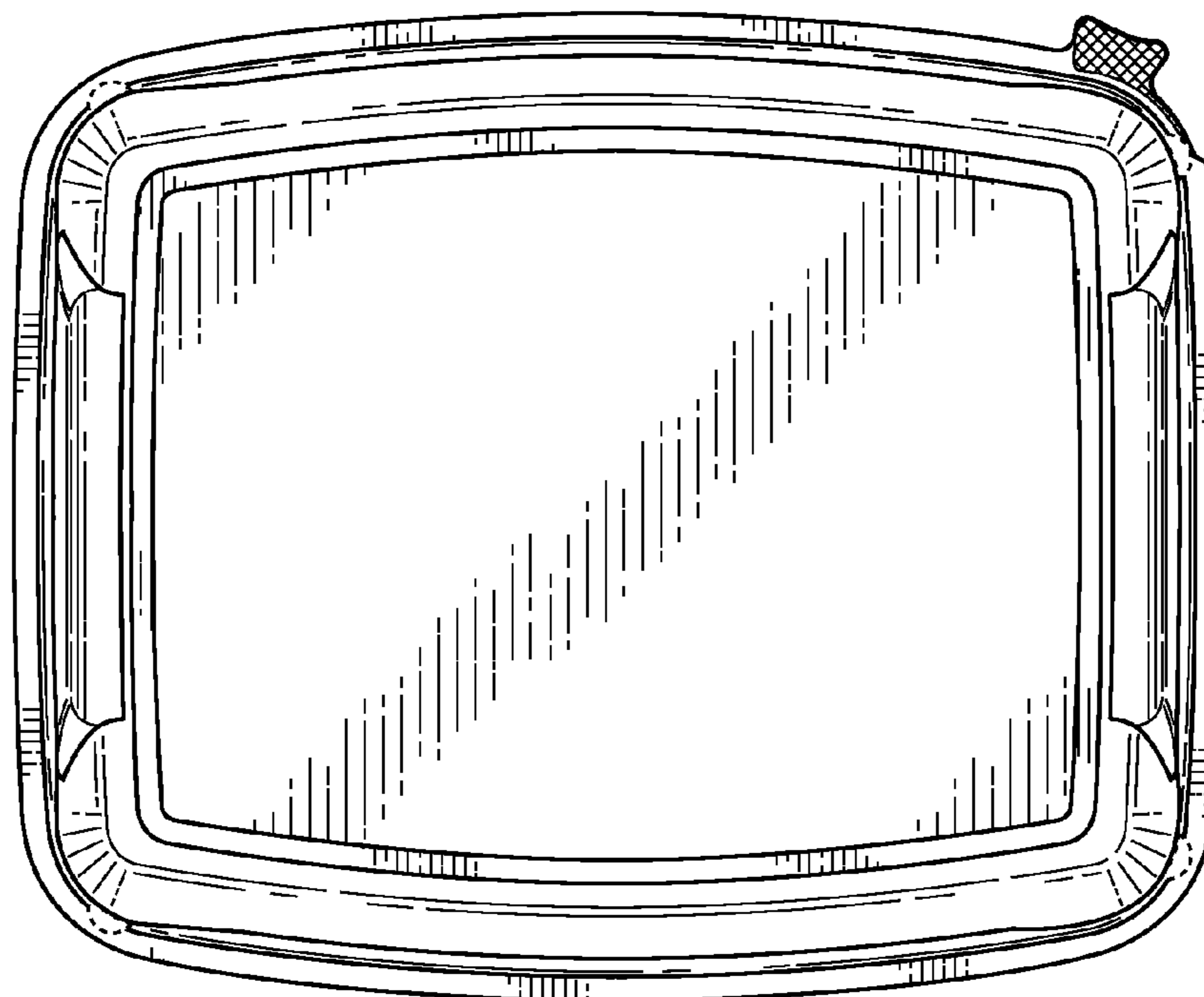


FIG. 4

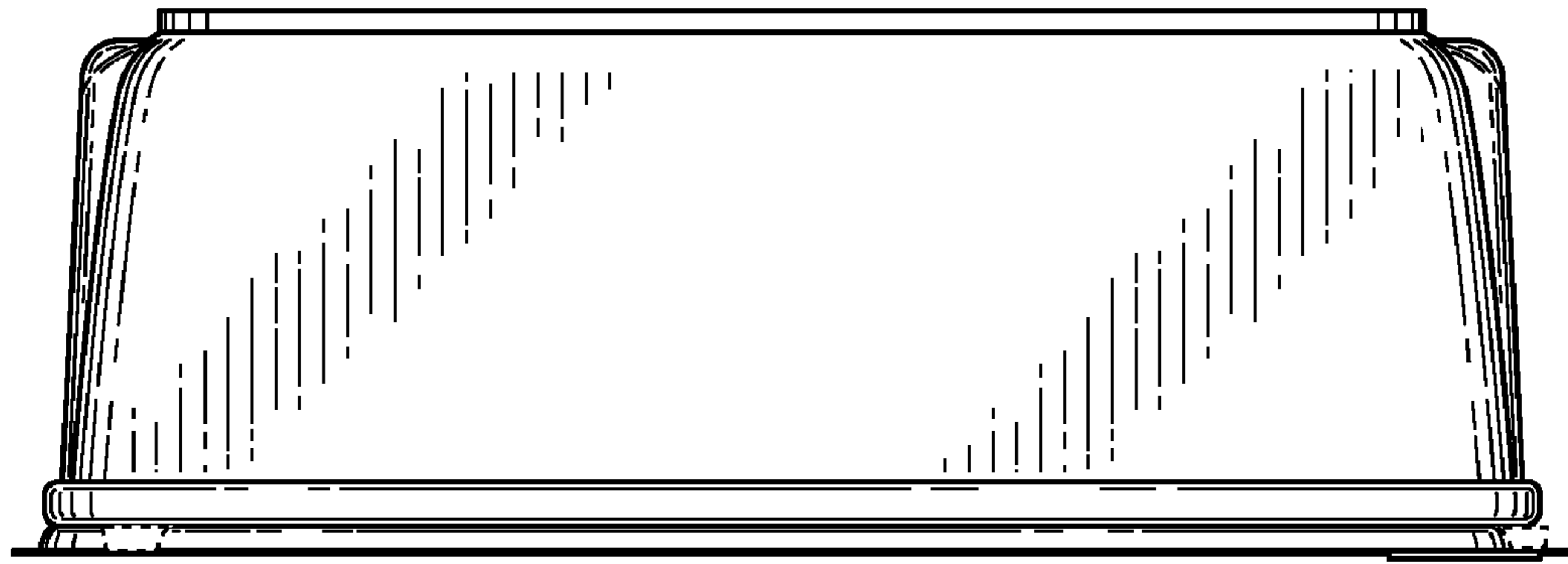


FIG. 5

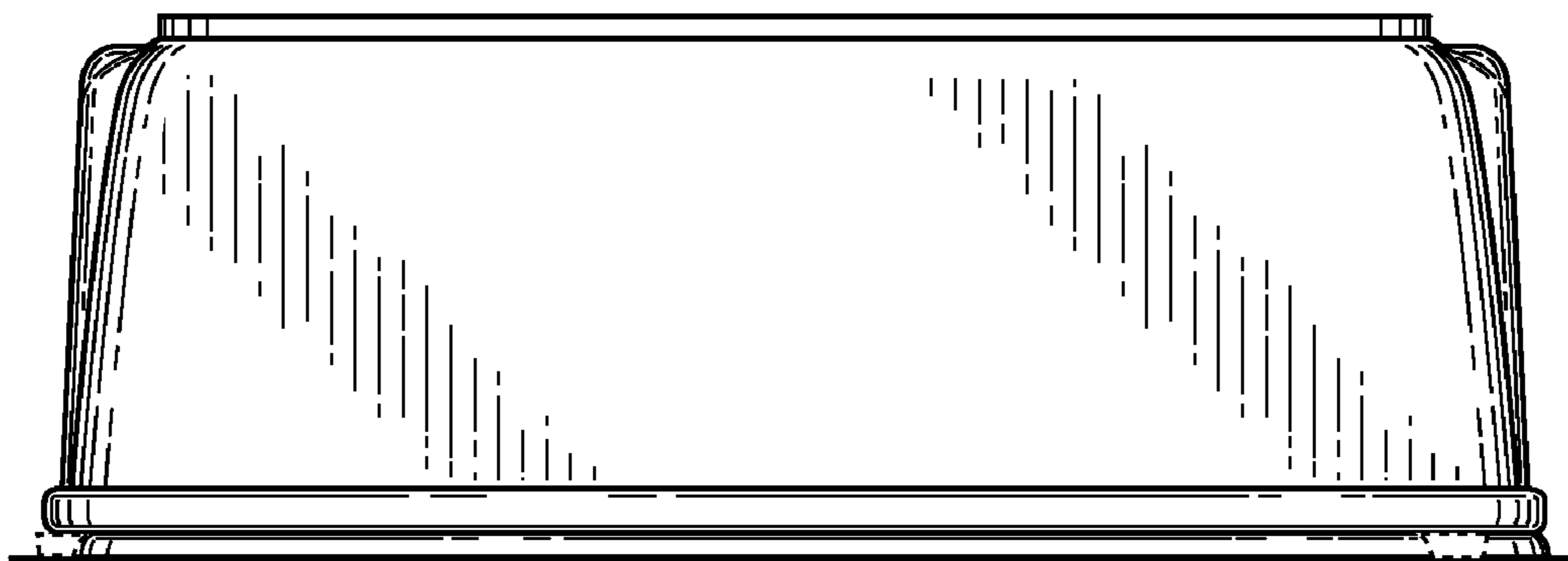


FIG. 6

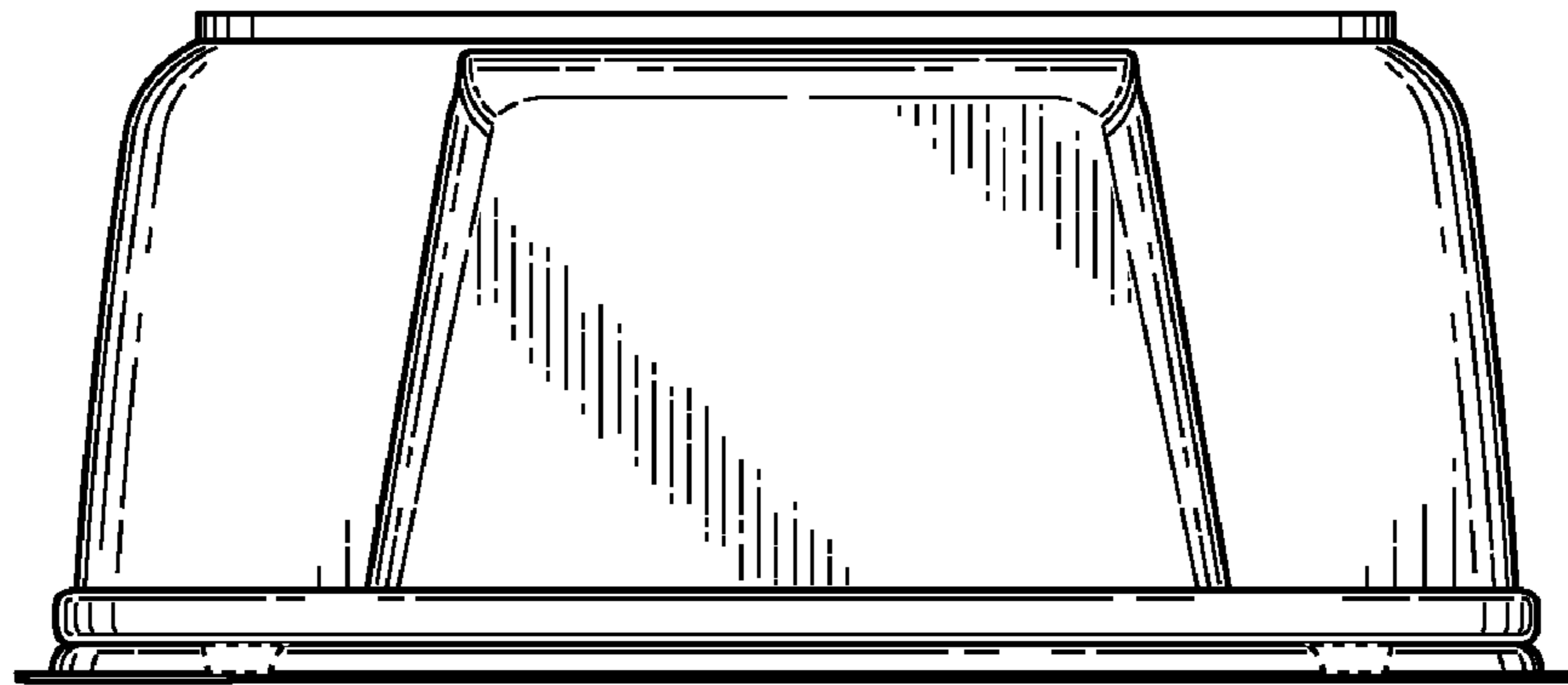


FIG. 7

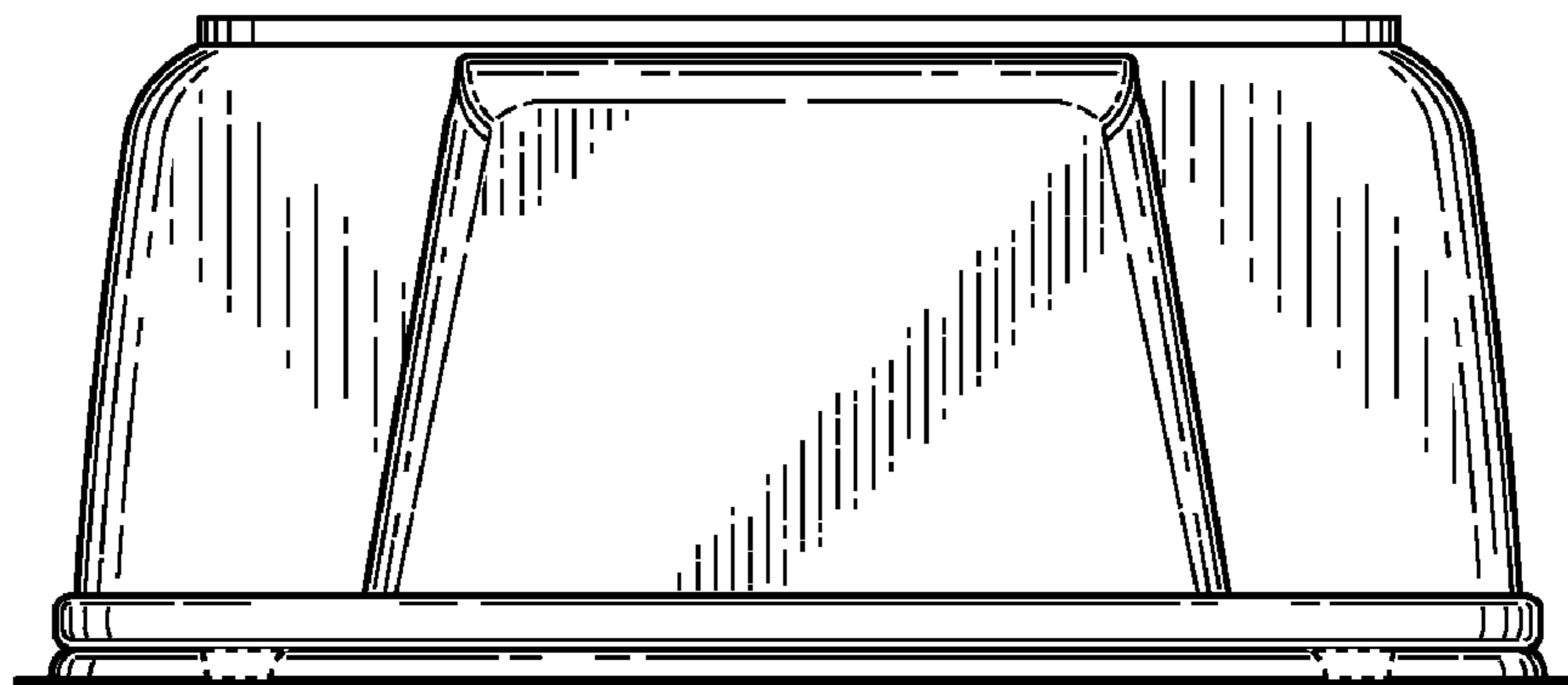


FIG. 8