



US00D628468S

(12) **United States Design Patent**
Camp, Jr. et al.

(10) **Patent No.:** **US D628,468 S**

(45) **Date of Patent:** **** Dec. 7, 2010**

(54) **CLIP FOR ATTACHMENT TO A BROOM**

(75) Inventors: **William P. Camp, Jr.**, Vanlue, OH (US);
Randy Cox, Greenville, NC (US);
Donald Jones, Greenville, NC (US);
Scott Reid, Fairfield, IA (US); **Larry**
Todey, Fairfield, IA (US)

(73) Assignee: **Harper Brush Works, Inc.**, Fairfield, IA
(US)

(**) Term: **14 Years**

(21) Appl. No.: **29/353,299**

(22) Filed: **Jan. 6, 2010**

(51) **LOC (9) Cl.** **08-08**

(52) **U.S. Cl.** **D8/395; D8/396**

(58) **Field of Classification Search** D8/354–356,
D8/371, 394–396, 363, 380; 24/16 R, 279,
24/570, 545; 248/49, 51, 62, 73, 74.1–74.4,
248/300, 301, 316.7, 489, 276.1, 288.31,
248/181.1, 181.2, 181.3; D19/65; D4/132,
D4/138, 199; D32/74; D6/553
See application file for complete search history.

(56) **References Cited**

U.S. PATENT DOCUMENTS

2,588,251 A * 3/1952 Kost 411/529
2,918,244 A * 12/1959 Laney 248/214
3,684,223 A 8/1972 Logsdon
3,778,537 A * 12/1973 Miller 174/138 R
3,819,034 A 6/1974 Clark
4,292,749 A 10/1981 Thomas
4,320,832 A 3/1982 Edstrom
D264,682 S * 6/1982 Van Doren D8/354
4,450,605 A 5/1984 Schaty
D276,272 S 11/1984 Weissenburger
4,550,829 A * 11/1985 Strahs 206/361
D298,738 S * 11/1988 Rumpel D8/395
4,998,277 A * 3/1991 Rioux, Jr. 379/454
D316,958 S * 5/1991 Rumpel D8/395
D317,252 S * 6/1991 Rumpel D8/395
5,052,605 A 10/1991 Johansson

D331,358 S * 12/1992 Sachs D8/356
5,184,375 A * 2/1993 Hoyt 24/3.12
D342,013 S * 12/1993 Sachs D8/356
D352,963 S * 11/1994 Siler D19/83
D374,171 S * 10/1996 Protz, Jr. D8/395
5,609,415 A * 3/1997 Protz, Jr. 362/396
5,642,557 A 7/1997 Clews
5,669,590 A 9/1997 Przewodek

(Continued)

Primary Examiner—Celia A Murphy

Assistant Examiner—John Windmuller

(74) *Attorney, Agent, or Firm*—Husch Blackwell Welsh Katz

(57) **CLAIM**

The design for a clip for attachment to a broom, as shown and described.

DESCRIPTION

FIG. 1. is a perspective view of the clip for attachment to a broom of the subject invention;

FIG. 2 is a top view of the clip for attachment to a broom of the subject invention;

FIG. 3. is a right side plan view of the clip for attachment to a broom of FIG. 1;

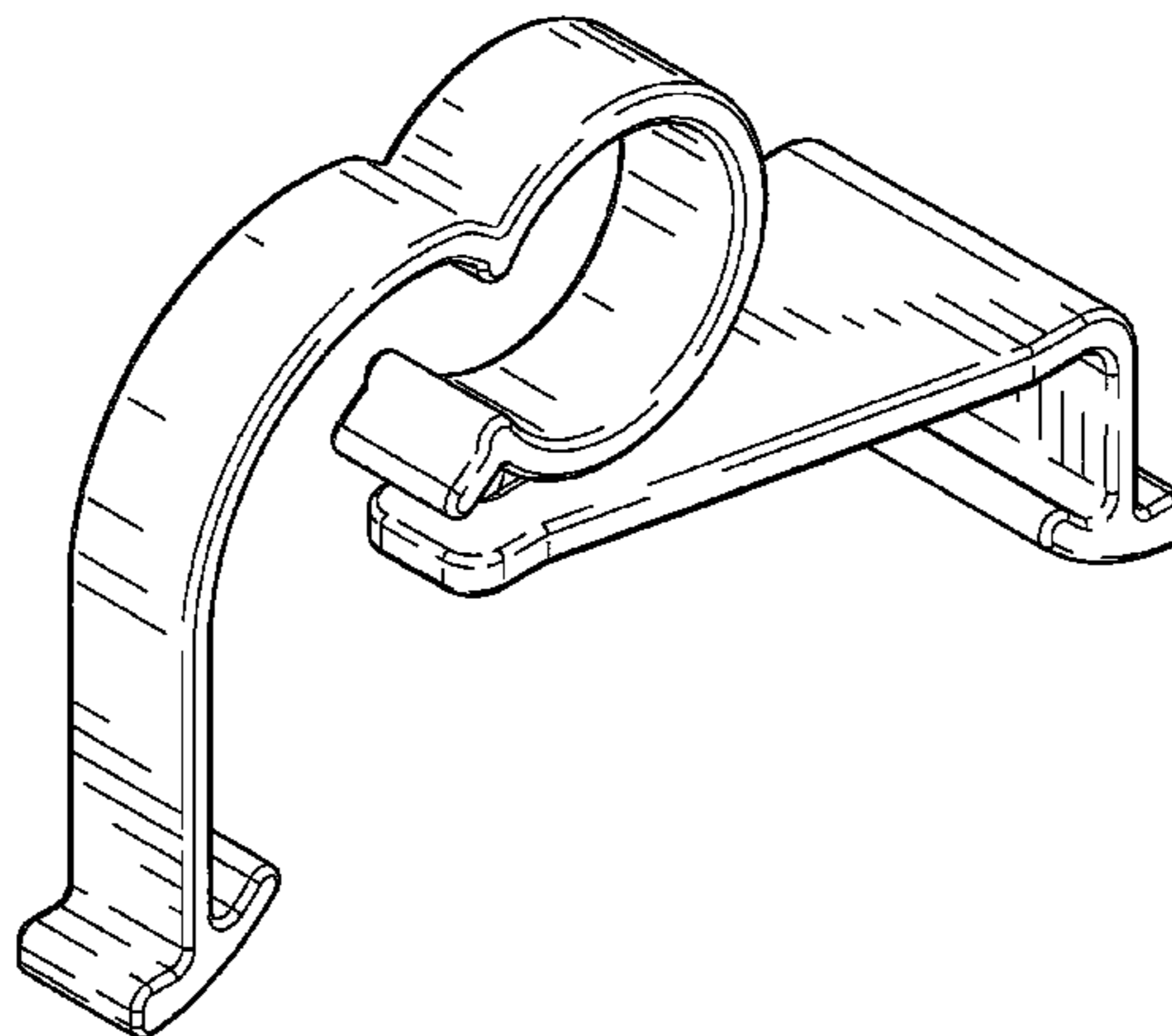
FIG. 4. is a front plan view of the clip for attachment to a broom of FIG. 1;

FIG. 5. is a left plan view of the clip for attachment to a broom of FIG. 1;

FIG. 6 is a rear plan view of the clip for attachment to a broom of FIG. 1; and,

FIG. 7 is a bottom plan view of the clip for attachment to a broom of FIG. 1.

1 Claim, 3 Drawing Sheets



US D628,468 S

Page 2

U.S. PATENT DOCUMENTS

| | | | | | | | |
|-----------|------|---------|------------------|-------|------------|--|--|
| 5,725,185 | A | 3/1998 | Auclair | | | | |
| 5,806,669 | A | 9/1998 | Kim | | | | |
| 5,820,095 | A * | 10/1998 | Stone | | 248/316.7 | | |
| 5,871,189 | A | 2/1999 | Hoftman | | | | |
| D408,271 | S * | 4/1999 | Ohnemus | | D8/367 | | |
| 5,910,351 | A * | 6/1999 | Davis et al. | | 428/100 | | |
| 6,109,569 | A | 8/2000 | Sakaida | | | | |
| D432,404 | S * | 10/2000 | Garfinkle | | D8/395 | | |
| 6,141,838 | A * | 11/2000 | Cooper | | 24/339 | | |
| D438,449 | S * | 3/2001 | Taylor | | D8/356 | | |
| 6,224,561 | B1 * | 5/2001 | Swendson et al. | | 600/562 | | |
| 6,279,208 | B1 * | 8/2001 | Gillis | | 24/343 | | |
| 6,298,525 | B1 | 10/2001 | Margo | | | | |
| D471,426 | S * | 3/2003 | Weinerman et al. | | D8/330 | | |
| 6,536,727 | B1 * | 3/2003 | Limber et al. | | 248/229.16 | | |
| D477,773 | S * | 7/2003 | Gary et al. | | D8/395 | | |
| D478,630 | S * | 8/2003 | Riggins | | D19/83 | | |
| D483,654 | S * | 12/2003 | Taylor | | D8/356 | | |
| D509,726 | S * | 9/2005 | Diller | | D8/395 | | |
| D510,018 | S * | 9/2005 | Tognolini | | D8/395 | | |
| 7,131,170 | B2 * | 11/2006 | Weaver | | 24/545 | | |
| D564,863 | S * | 3/2008 | Grevis et al. | | D8/354 | | |
| 7,608,782 | B2 * | 10/2009 | Hill | | 174/84 C | | |
| D608,190 | S * | 1/2010 | Jimenez | | D8/395 | | |
| D622,134 | S * | 8/2010 | Camp et al. | | D8/373 | | |

* cited by examiner

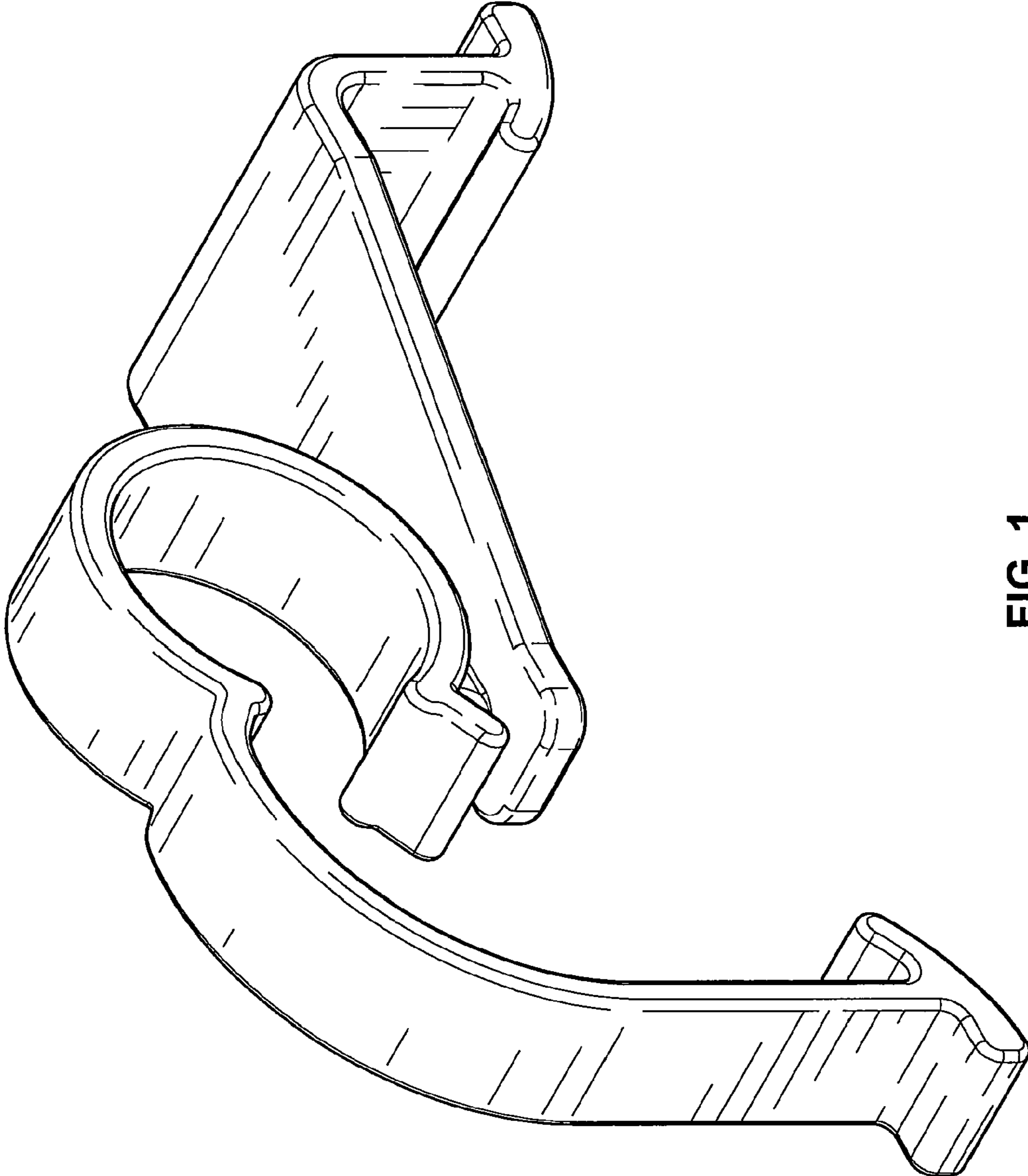


FIG. 1

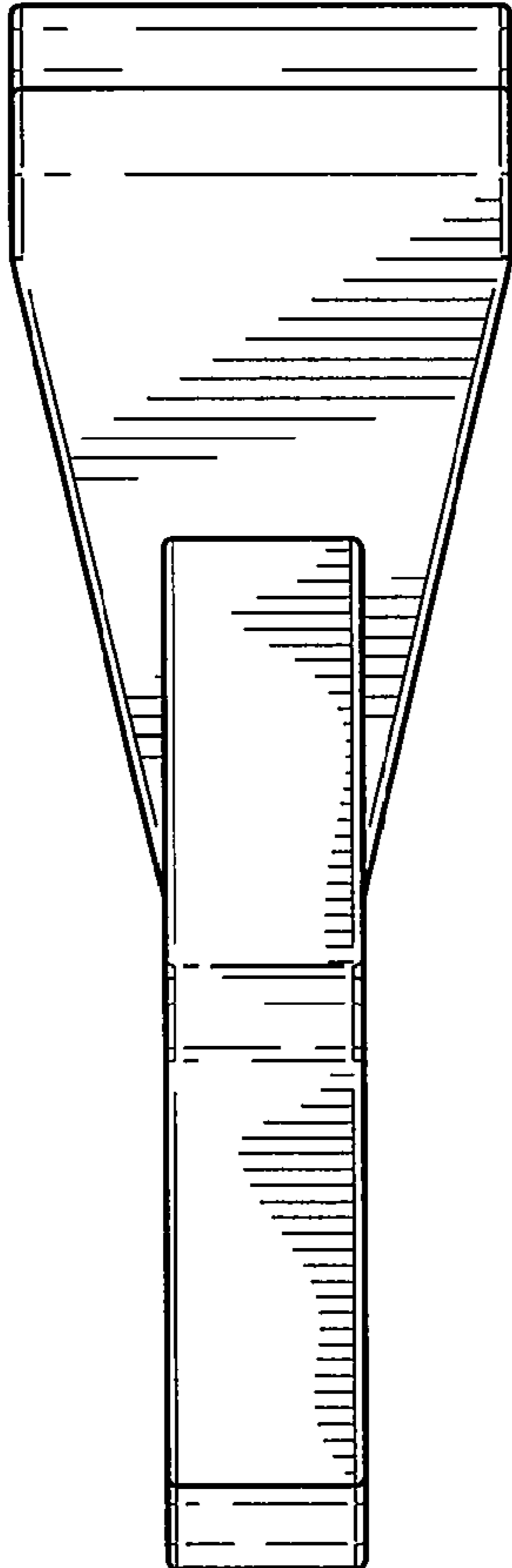


FIG. 2

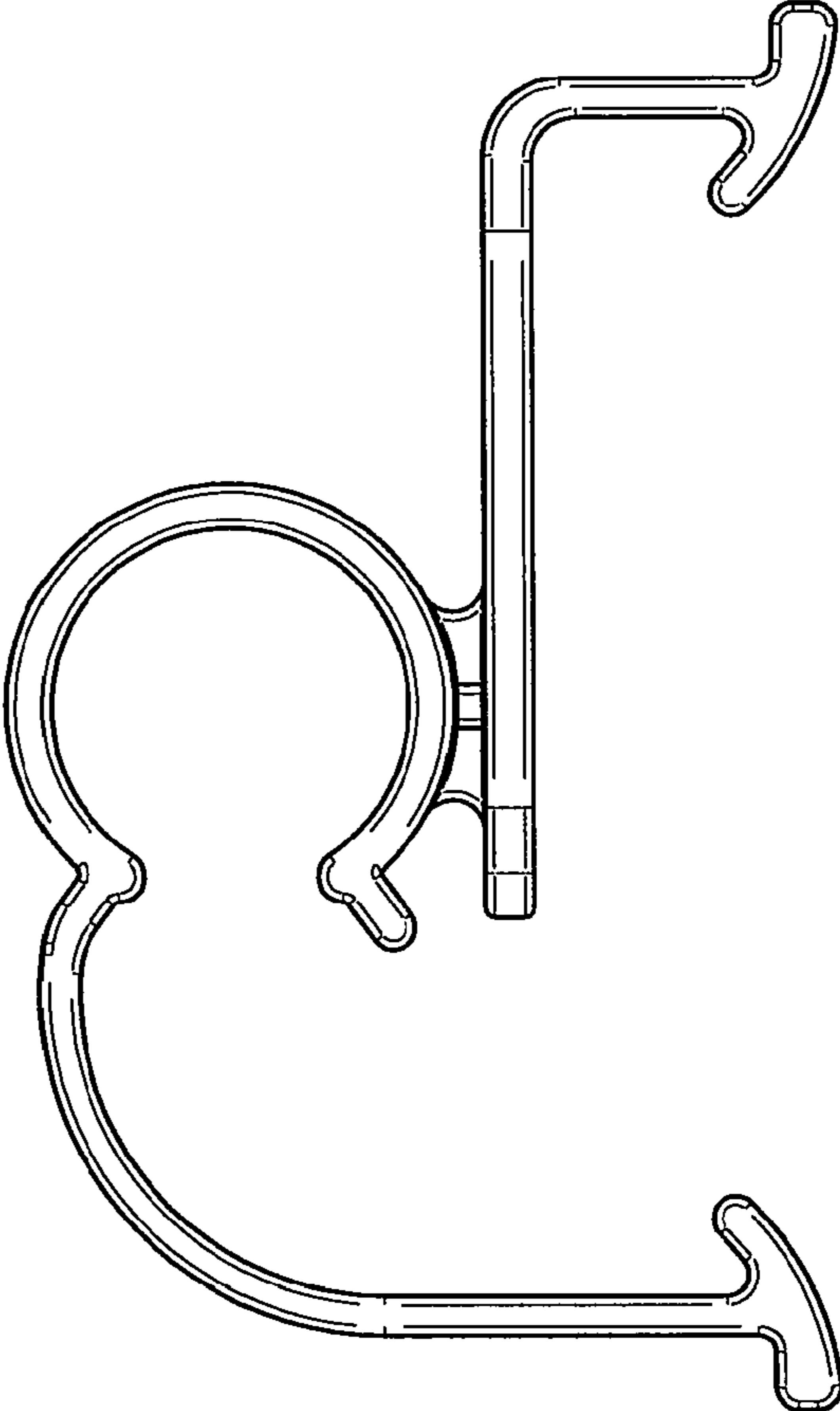


FIG. 4

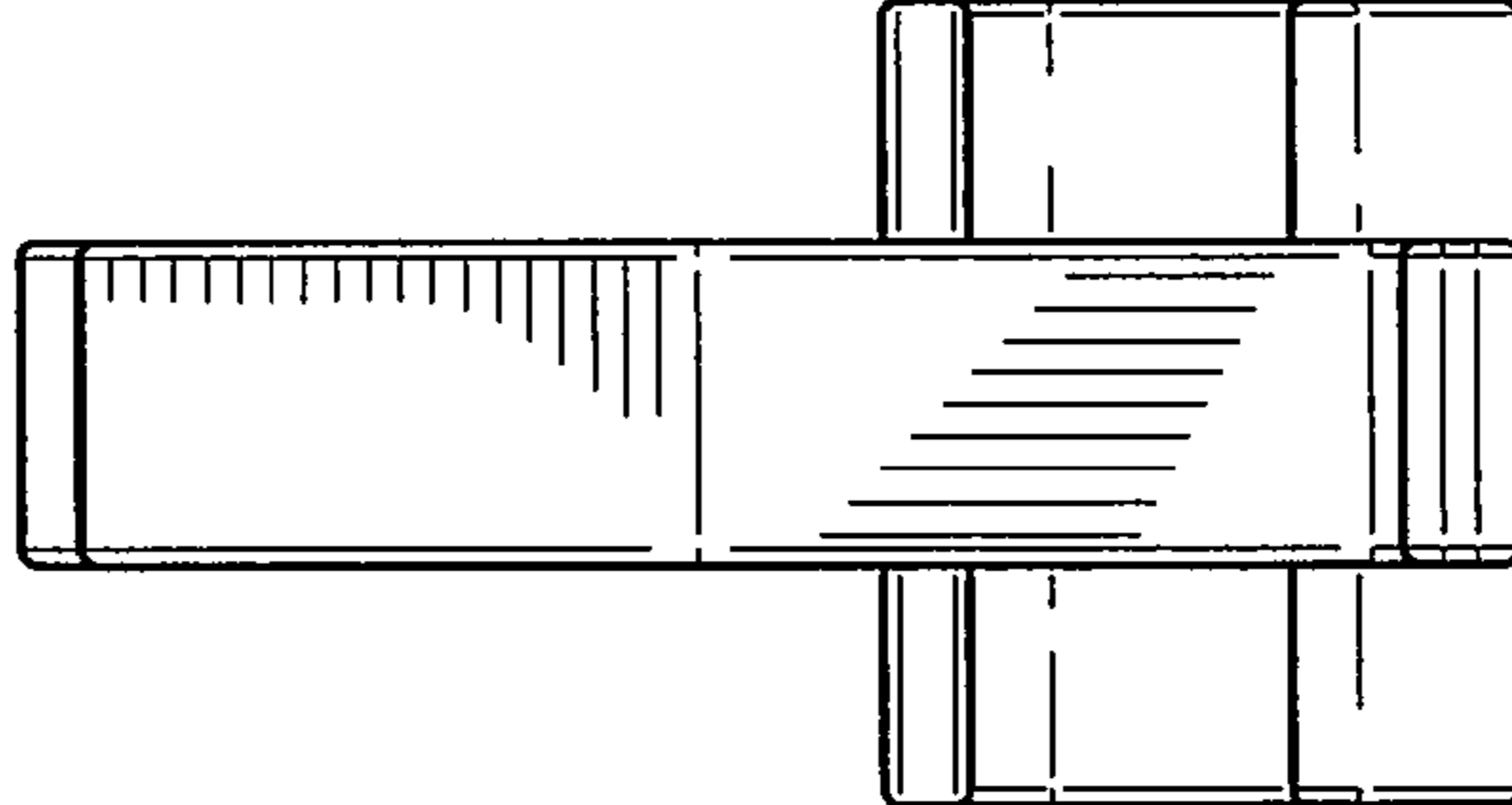


FIG. 3

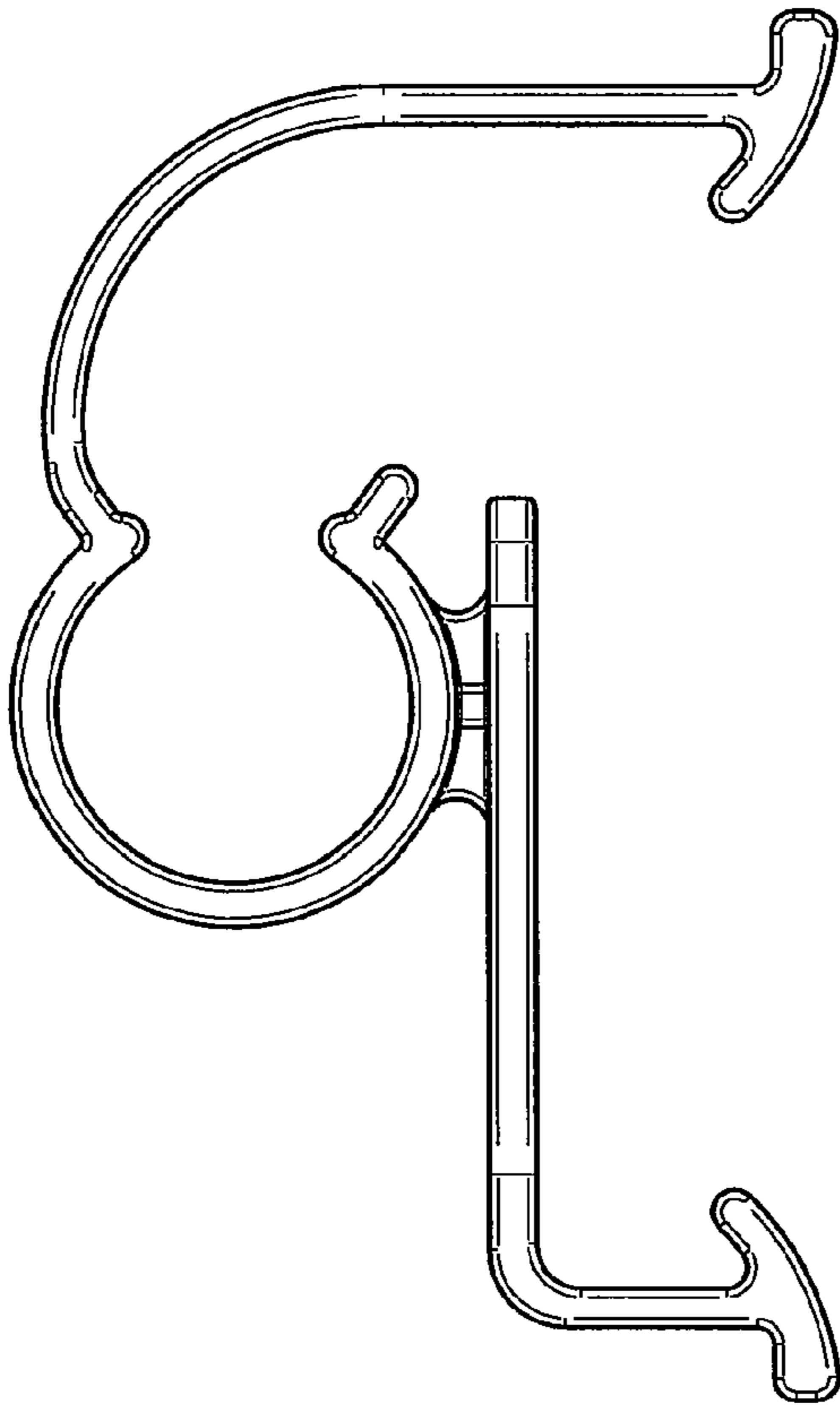


FIG. 6

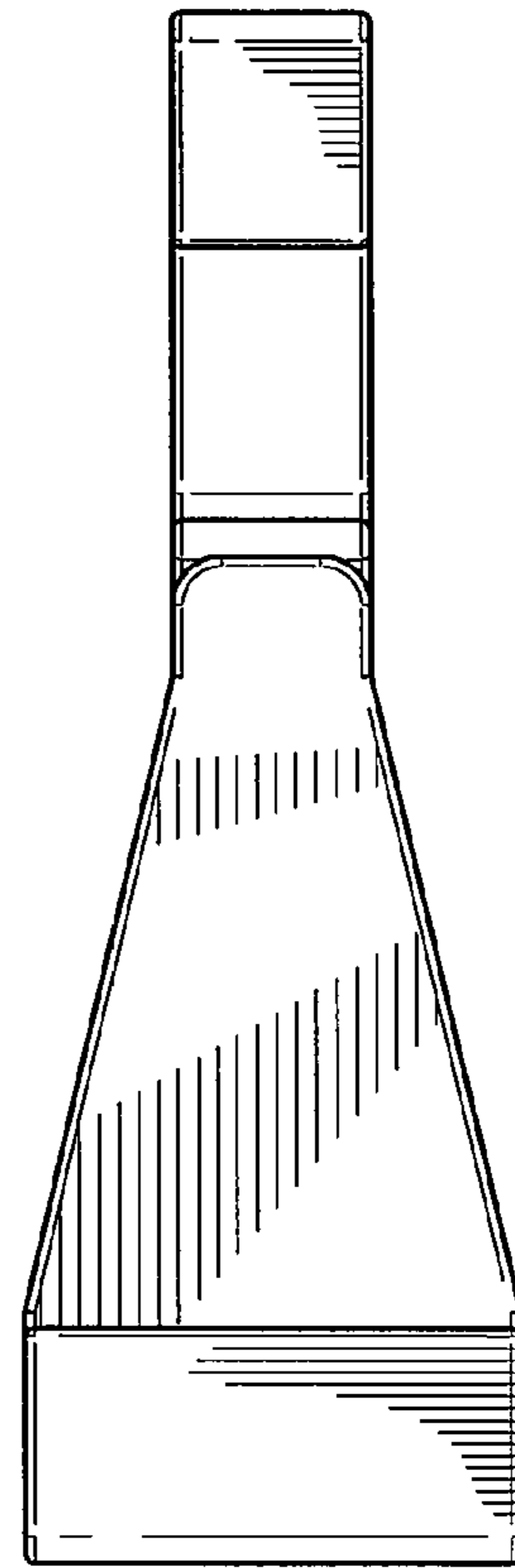


FIG. 7

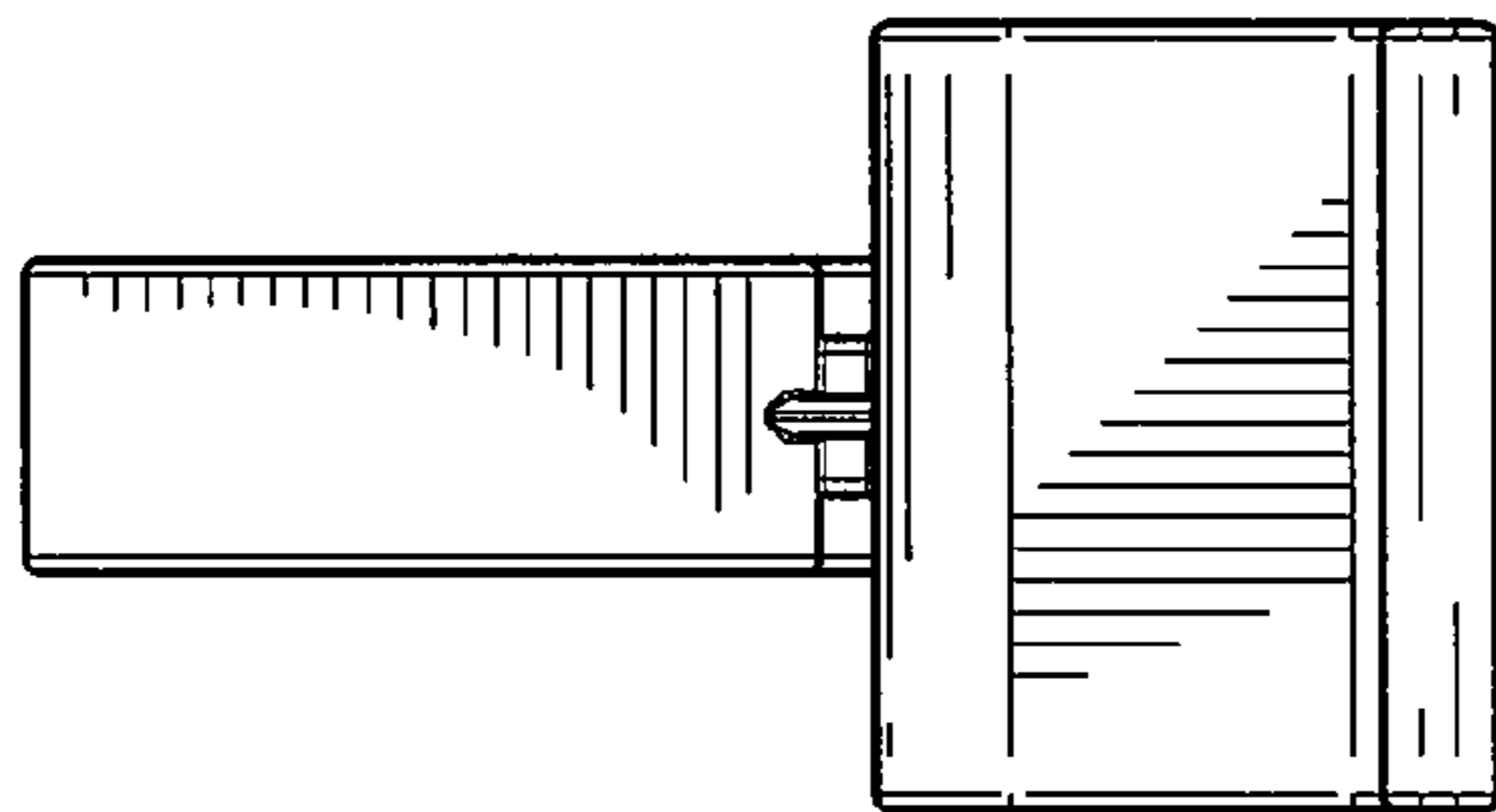


FIG. 5