



US00D628467S

(12) **United States Design Patent**  
**Wright et al.**

(10) **Patent No.:** **US D628,467 S**

(45) **Date of Patent:** **\*\* Dec. 7, 2010**

(54) **SCREEN SUPPORT**

(75) Inventors: **Ty M. Wright**, Portland, OR (US); **Scott White**, Molalla, OR (US)

(73) Assignee: **Wright Manufacturing, LLC**, Portland, OR (US)

(\*\*) Term: **14 Years**

(21) Appl. No.: **29/343,763**

(22) Filed: **Sep. 18, 2009**

(51) **LOC (9) Cl.** ..... **08-05**

(52) **U.S. Cl.** ..... **D8/380**

(58) **Field of Classification Search** ..... D8/349,  
D8/354, 356, 366, 373, 380, 382, 394, 395,  
D8/381, 363, 367; D25/119, 121, 122, 136;  
D14/451, 452; 248/291.1, 292.13, 289.11,  
248/225.21, 200, 220.1, 294.1, 466, 475.1;  
52/716.1, 718.04

See application file for complete search history.

(56) **References Cited**

**U.S. PATENT DOCUMENTS**

1,815,767 A \* 7/1931 Fusmer ..... 248/475.1  
6,923,413 B2 \* 8/2005 Dozier ..... 248/294.1

7,070,156 B2 \* 7/2006 Liao ..... 248/466  
D558,036 S \* 12/2007 Rogers ..... D8/380  
D563,962 S \* 3/2008 Grey ..... D14/452

\* cited by examiner

*Primary Examiner*—Melody N Brown

(74) *Attorney, Agent, or Firm*—Schwabe, Williamson & Wyatt, P.C.

(57) **CLAIM**

I claim an ornamental design for a screen support, as shown and described.

**DESCRIPTION**

FIG. 1 is a front perspective view of a screen support showing my new design, the screen shown in broken lines are for illustrative purposes only and form no part of the claim design;

FIG. 2 is a front elevational view thereof;

FIG. 3 is a rear elevational view thereof;

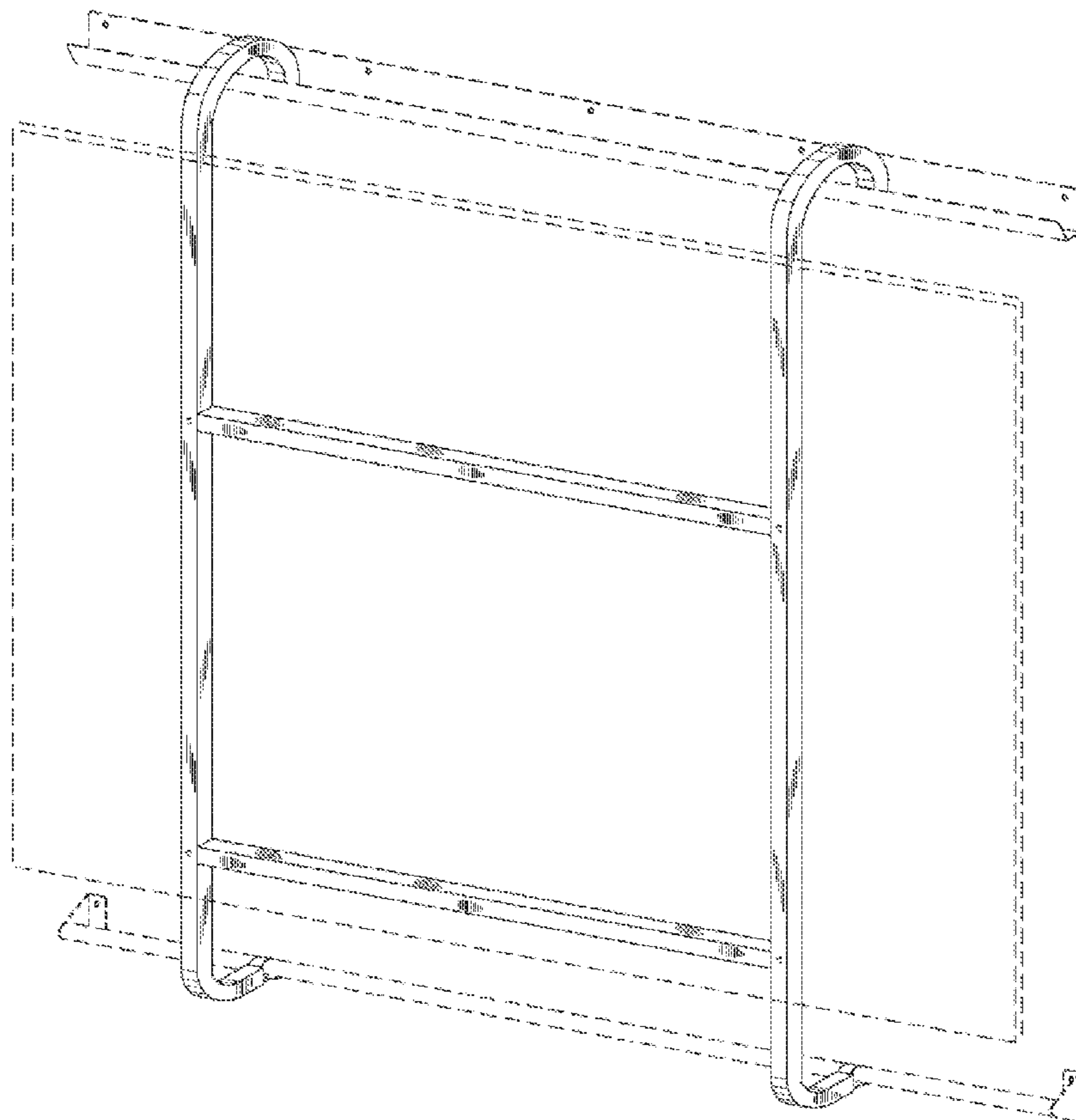
FIG. 4 is a top plan view thereof;

FIG. 5 is a bottom plan view thereof;

FIG. 6 is a right side elevational view thereof; and,

FIG. 7 is a left side elevational view thereof.

**1 Claim, 4 Drawing Sheets**



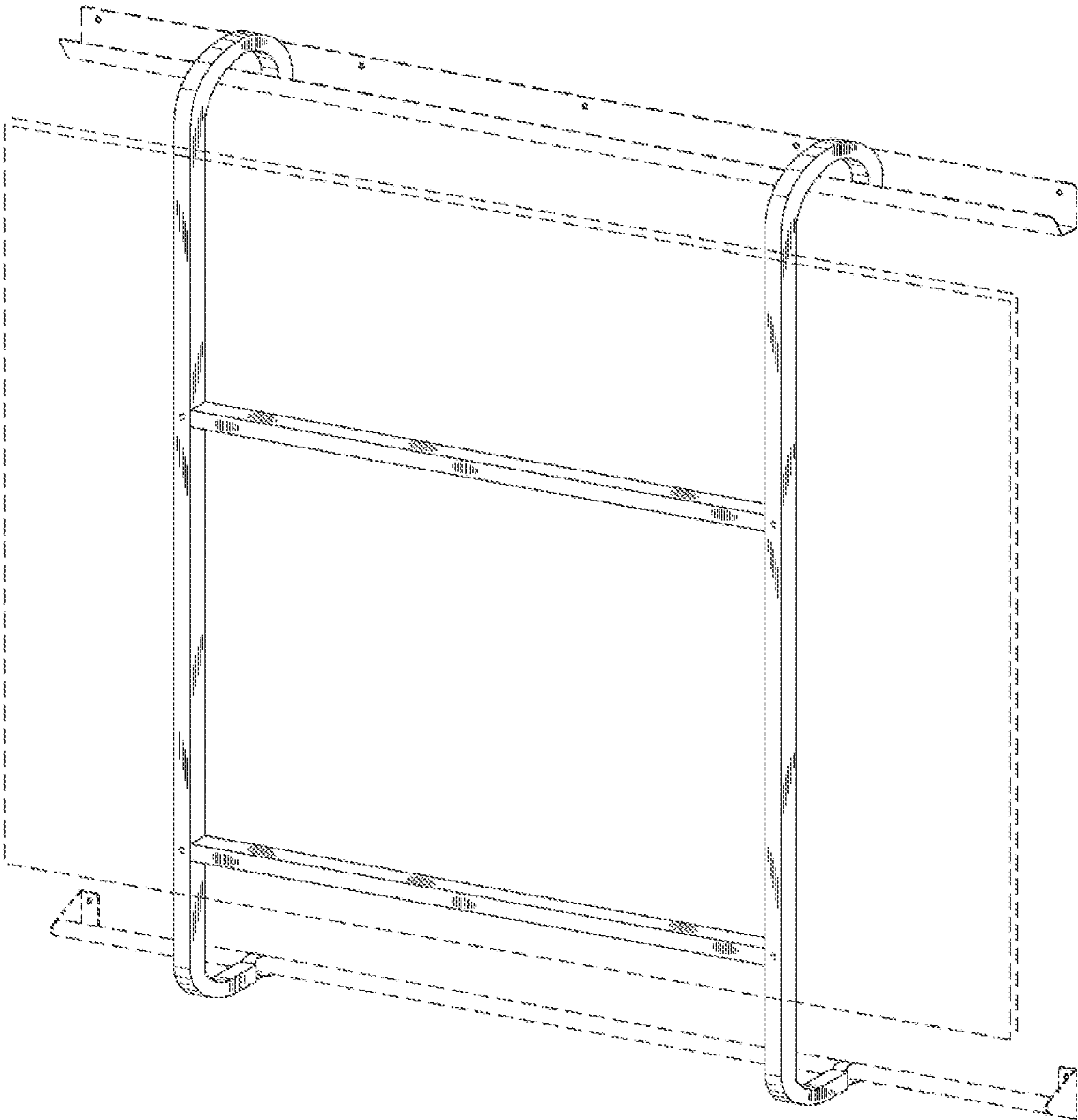
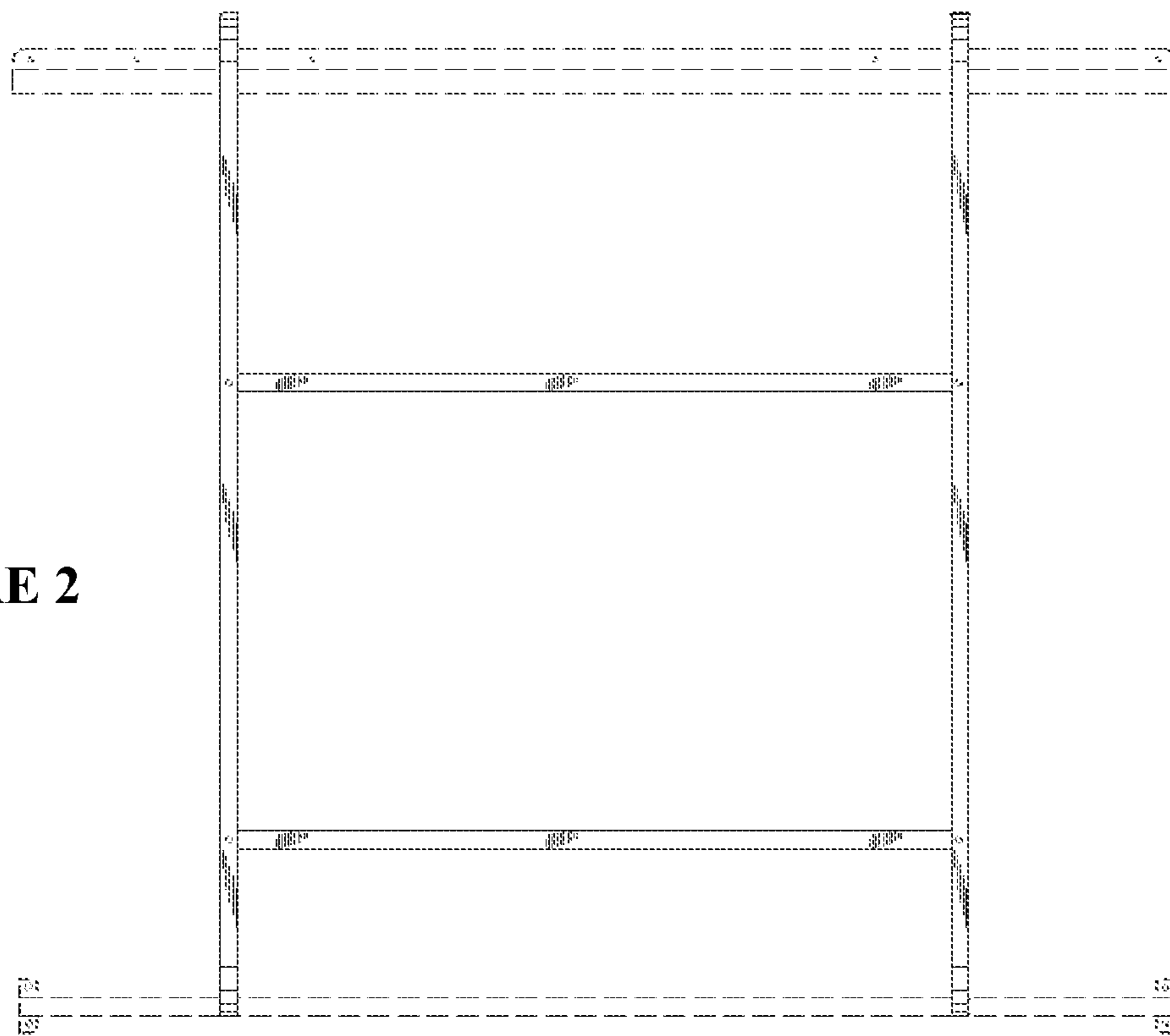
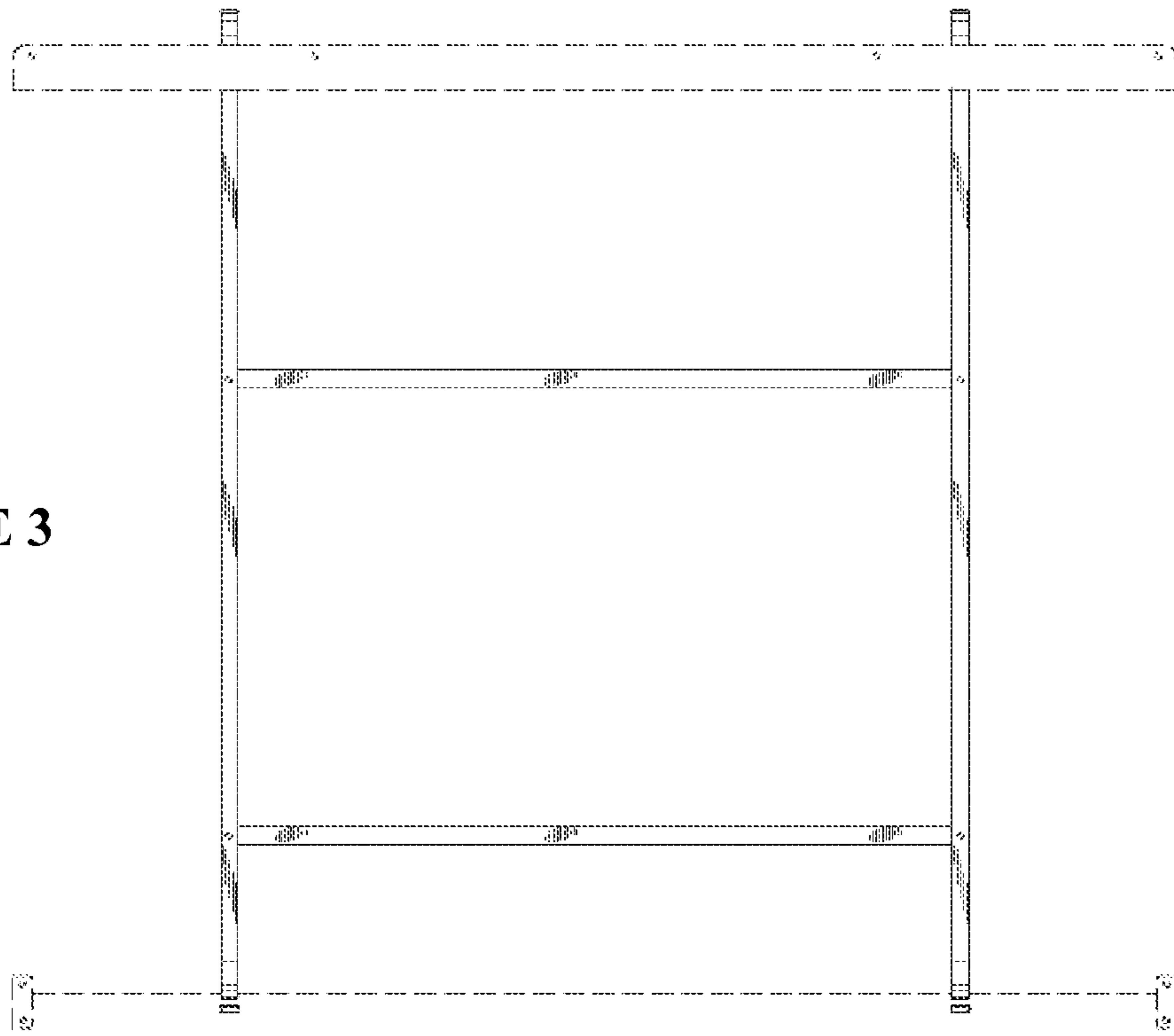


FIGURE 1

**FIGURE 2**



**FIGURE 3**



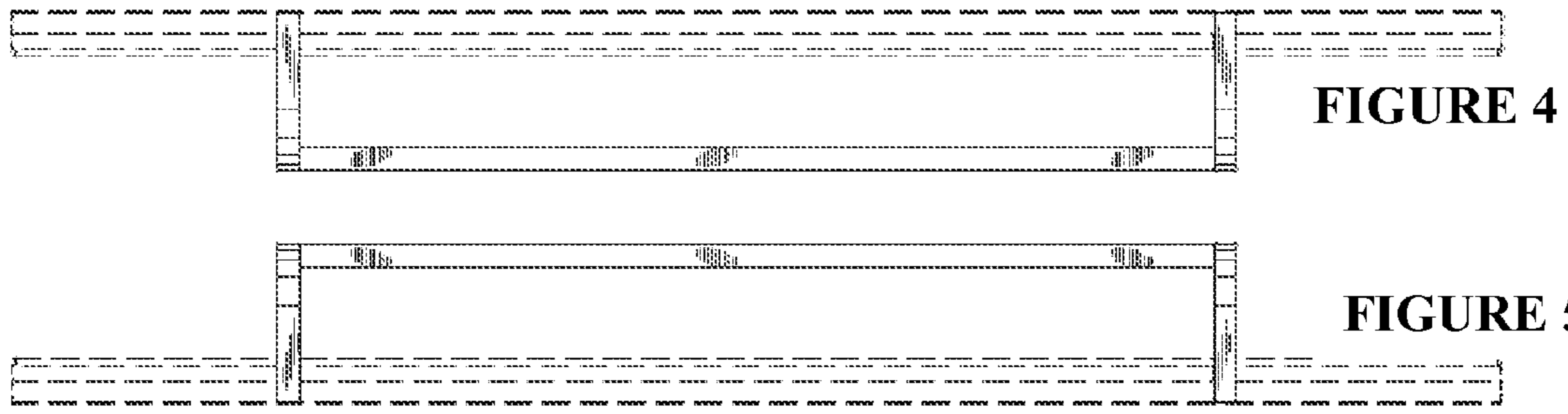


FIG. 6      FIG. 7

