



US00D628466S

(12) **United States Design Patent**
Taatjes et al.

(10) **Patent No.:** **US D628,466 S**
(45) **Date of Patent:** **** Dec. 7, 2010**

(54) **FILAMENT SPOOL**

(75) Inventors: **Thomas L. Taatjes**, Eden Prairie, MN (US); **Patrick W. Turley**, Eden Prairie, MN (US); **Martin G. Zalusky**, Bloomington, MN (US)

(73) Assignee: **Stratasys, Inc.**, Eden Prairie, MN (US)

(**) Term: **14 Years**

(21) Appl. No.: **29/363,024**

(22) Filed: **Jun. 3, 2010**

Related U.S. Application Data

(62) Division of application No. 29/351,230, filed on Dec. 2, 2009, now Pat. No. Des. 618,086, which is a division of application No. 29/340,131, filed on Jul. 14, 2009, now Pat. No. Des. 606,845, which is a division of application No. 29/326,639, filed on Oct. 22, 2008, now Pat. No. Des. 598,733.

(51) **LOC (9) Cl.** **08-05**

(52) **U.S. Cl.** **D8/358**

(58) **Field of Classification Search** D8/359,
D8/358, 356, 308; D14/475, 435; D13/137.4;
33/770, 755; 242/614.1, 605, 405, 405.3,
242/378.4, 378.2, 171, 170, 570, 600, 614;
239/198, 197; 137/355.23-355.28, 355.2,
137/355.19, 15.08; 128/205.22; D10/72
See application file for complete search history.

(56) **References Cited**

U.S. PATENT DOCUMENTS

D71,171 S * 10/1926 Bonn D8/358
D79,201 S * 8/1929 Mills D8/358
1,906,495 A 5/1933 Stine
3,358,943 A 12/1967 Ernest
D224,683 S * 8/1972 Wada et al. D14/475
D228,789 S * 10/1973 Koni D14/475
D230,703 S * 3/1974 Nelson D8/358
D230,991 S * 3/1974 Catto D14/475
D233,411 S * 10/1974 Geisler D8/359

D260,514 S * 9/1981 Gell D14/475
4,387,863 A 6/1983 Edmonston et al.
D276,527 S * 11/1984 Flanigan D14/435
D282,357 S * 1/1986 Gell D14/475

(Continued)

FOREIGN PATENT DOCUMENTS

FR 2902681 A1 12/2007

(Continued)

OTHER PUBLICATIONS

International Search Report and Written Opinion of International Application No. PCT/US2009/061252 filed Oct. 20, 2009.

Primary Examiner—Susan Bennett Hattan

(74) *Attorney, Agent, or Firm*—Westman, Champlin & Kelly, P.A.

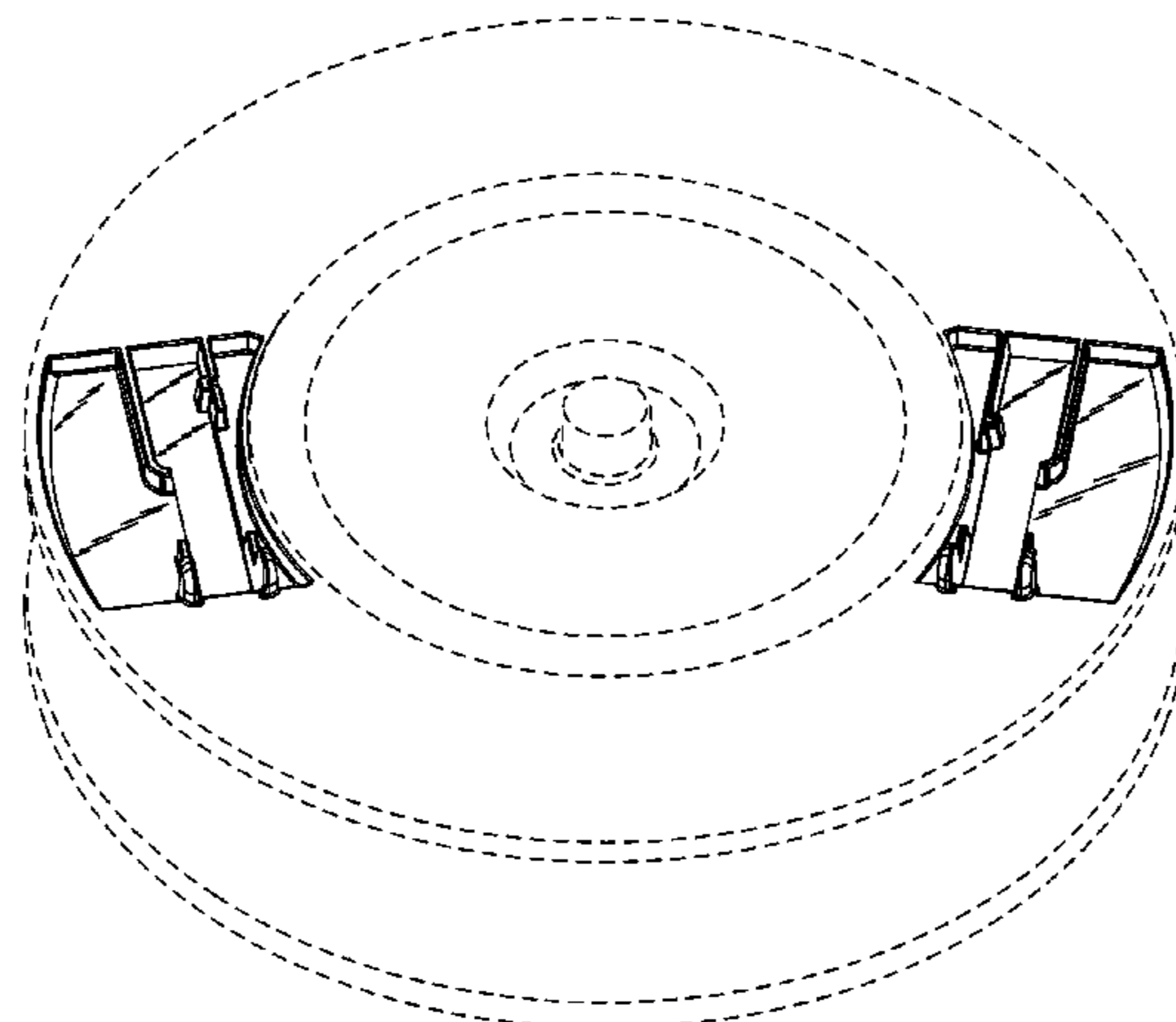
(57) **CLAIM**

The ornamental design for a filament spool, as shown and described.

DESCRIPTION

FIG. 1 is a top front perspective view of a filament spool;
FIG. 2 is a top view thereof, the bottom of the filament spool being flat and unornamented;
FIG. 3 is a front view thereof;
FIG. 4 is a rear view thereof;
FIG. 5 is a left side view thereof; and,
FIG. 6 is a right side view thereof.
Features illustrated with dashed lines are not considered features of the invention being claimed, but rather illustrate an exemplary environment for the claimed features illustrated with solid lines.

1 Claim, 3 Drawing Sheets



US D628,466 S

Page 2

U.S. PATENT DOCUMENTS

4,657,203 A 4/1987 Crawford
5,121,329 A * 6/1992 Crump 700/119
D343,319 S * 1/1994 Phillips D6/515
D346,379 S * 4/1994 Patel et al. D14/475
5,340,433 A * 8/1994 Crump 156/578
5,503,785 A * 4/1996 Crump et al. 264/40.7
D381,645 S * 7/1997 Johnson D14/475
D406,049 S * 2/1999 Bernat D8/358
D408,720 S * 4/1999 Sheng D8/359
5,939,008 A * 8/1999 Comb et al. 264/308
5,968,561 A * 10/1999 Batchelder et al. 425/375
6,022,207 A * 2/2000 Dahlin et al. 425/145
6,070,107 A * 5/2000 Lombardi et al. 700/119
6,085,957 A * 7/2000 Zinniel et al. 226/8
D436,021 S * 1/2001 Arnold D8/358
D436,111 S * 1/2001 Hahn et al. D14/475
6,228,923 B1 * 5/2001 Lombardi et al. 524/425
D470,498 S * 2/2003 Argumedo et al. D14/435
D474,191 S * 5/2003 Nakayama D14/475
6,685,866 B2 * 2/2004 Swanson et al. 264/308
6,715,710 B1 * 4/2004 Russell et al. 242/605
6,722,872 B1 * 4/2004 Swanson et al. 425/225
D491,048 S * 6/2004 Cornier et al. D8/358

6,776,602 B2 * 8/2004 Swanson et al. 425/376.1
6,790,403 B1 * 9/2004 Priedeman et al. 264/442
D504,307 S * 4/2005 Dayan D8/358
6,991,197 B2 * 1/2006 Cox et al. 242/614.1
7,063,285 B1 * 6/2006 Turley et al. 242/171
7,066,425 B2 * 6/2006 Cornier et al. 242/614
7,169,337 B2 1/2007 Swanson et al.
D557,118 S * 12/2007 Linginfelter D8/358
7,341,214 B2 * 3/2008 Taatjes et al. 242/170
7,384,255 B2 * 6/2008 LaBossiere et al. 425/190
D595,121 S * 6/2009 Murphy D8/358
D598,922 S * 8/2009 Taatjes et al. D14/475
D606,845 S * 12/2009 Taatjes et al. D8/358
2004/0129823 A1 * 7/2004 Swanson et al. 242/563
2006/0076454 A1 4/2006 Kawada
2007/0001050 A1 * 1/2007 Taatjes et al. 242/598.6
2007/0228590 A1 * 10/2007 LaBossiere et al. 264/40.1
2009/0050732 A1 * 2/2009 Ishikawa 242/608.8

FOREIGN PATENT DOCUMENTS

GB 551992 A 3/1943
GB 2079247 A 1/1982
GB 2438394 A 11/2007

* cited by examiner

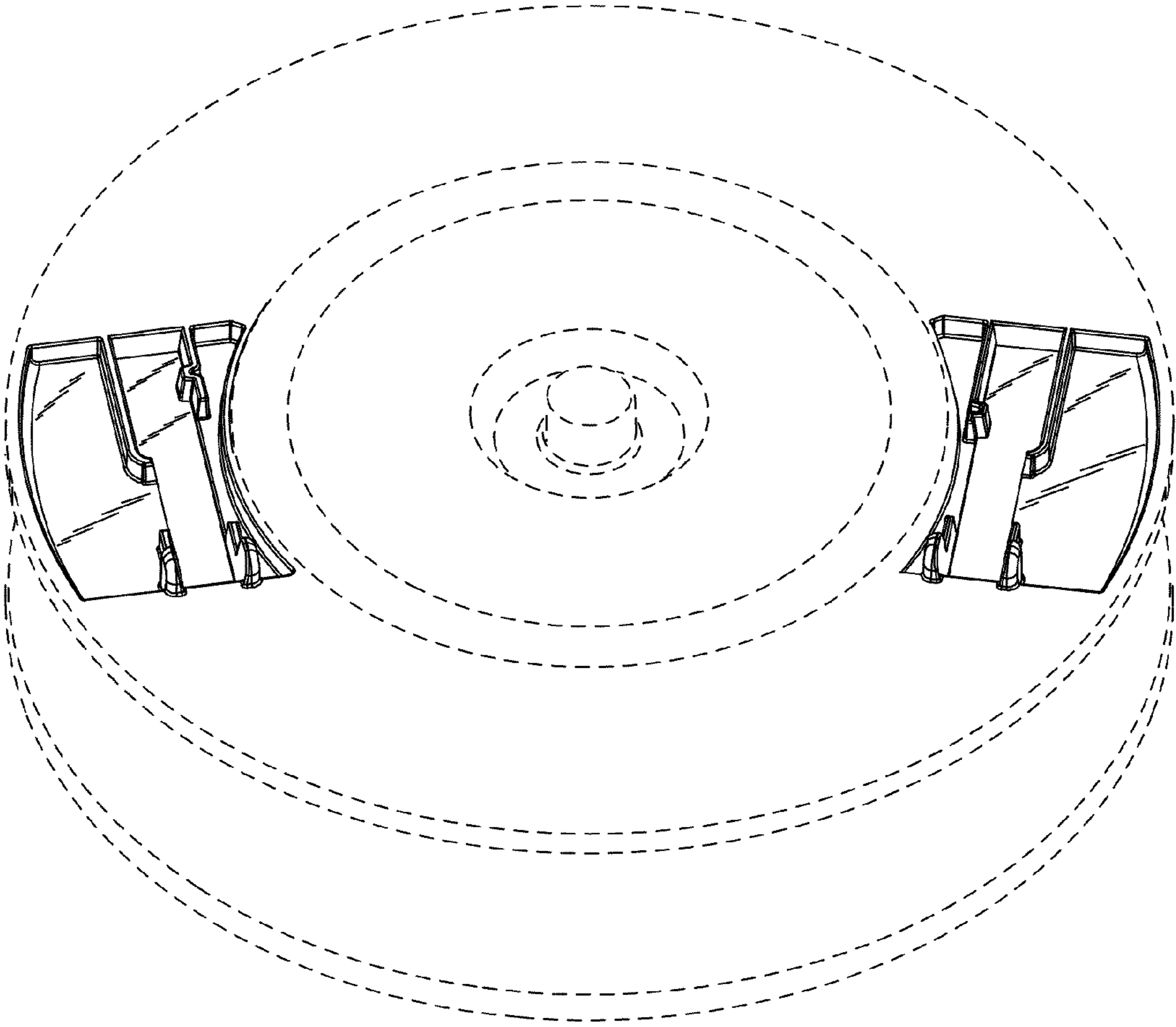


FIG. 1

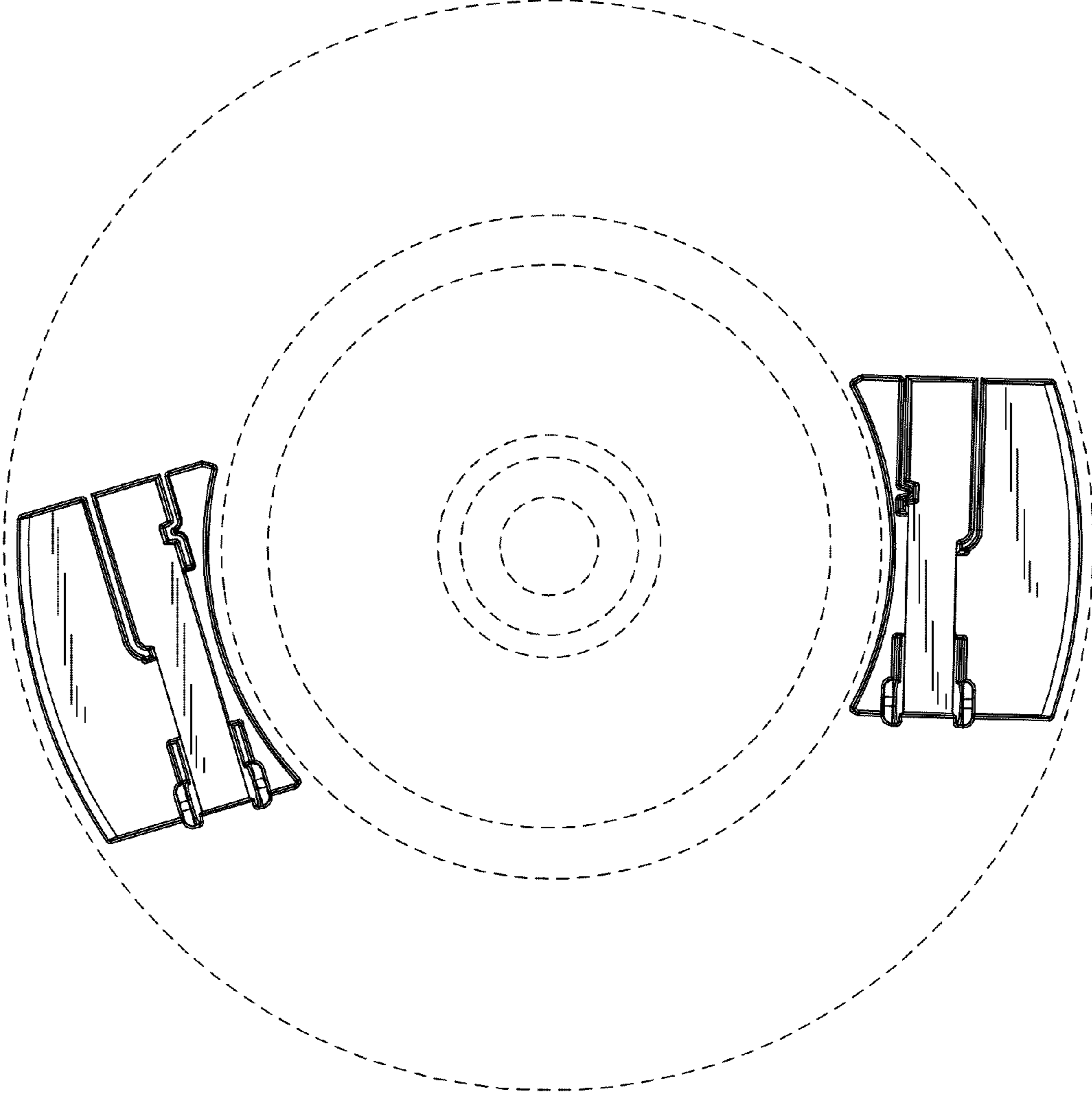


FIG. 2

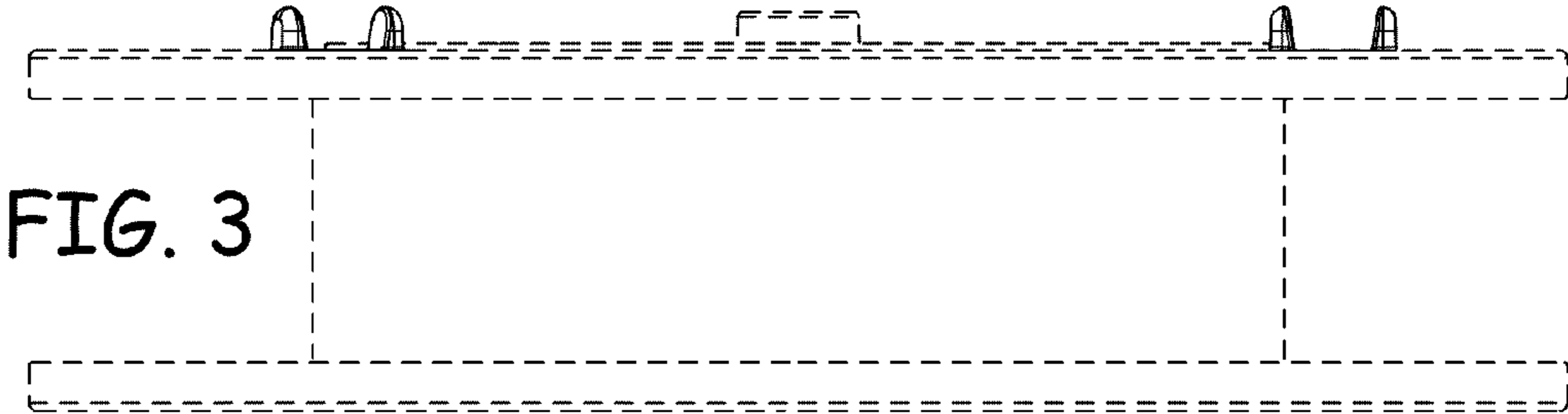


FIG. 3

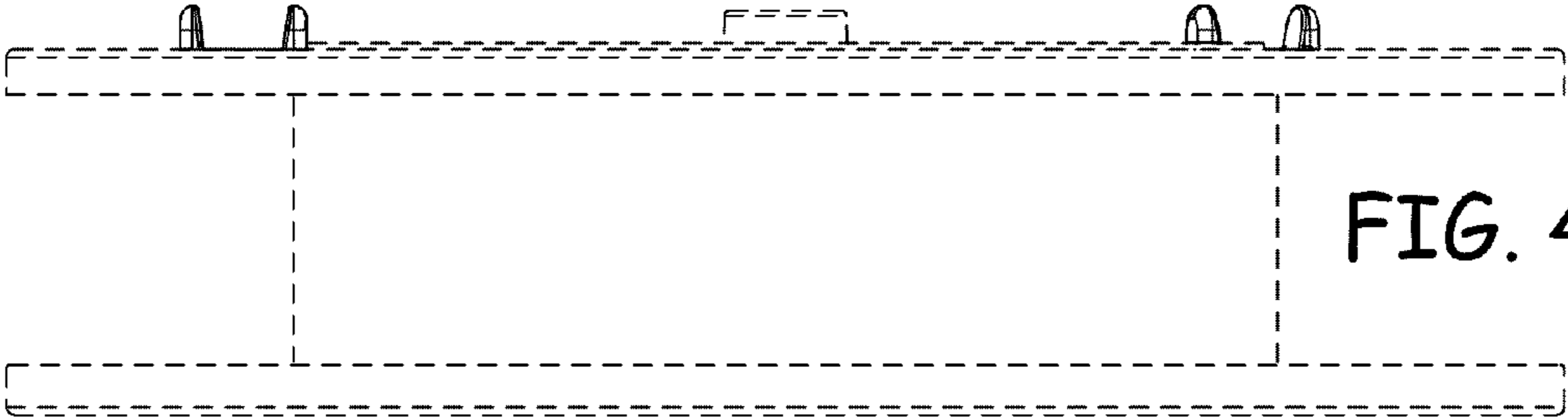


FIG. 4

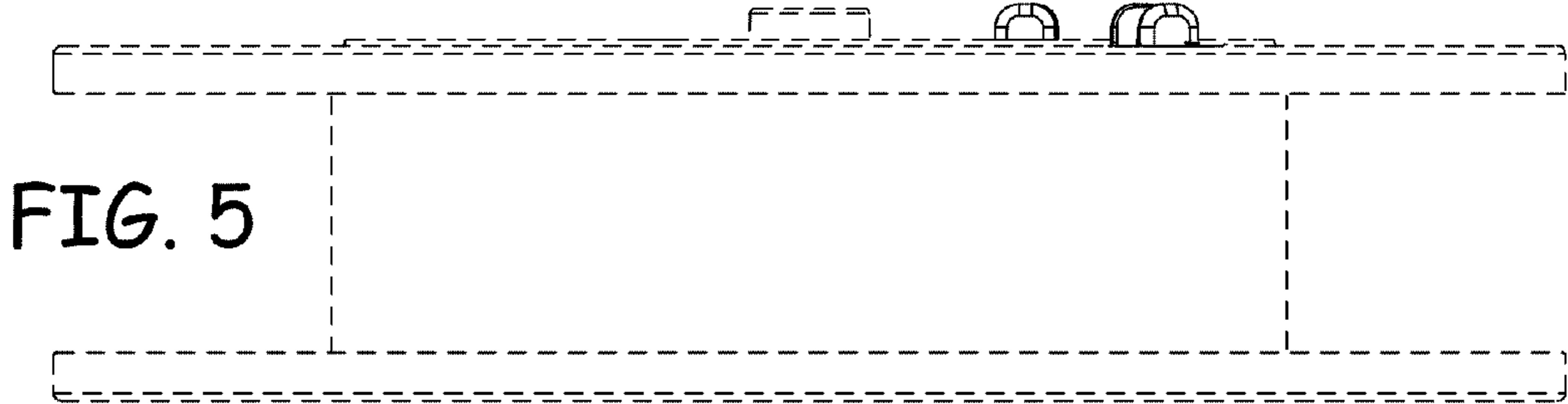


FIG. 5

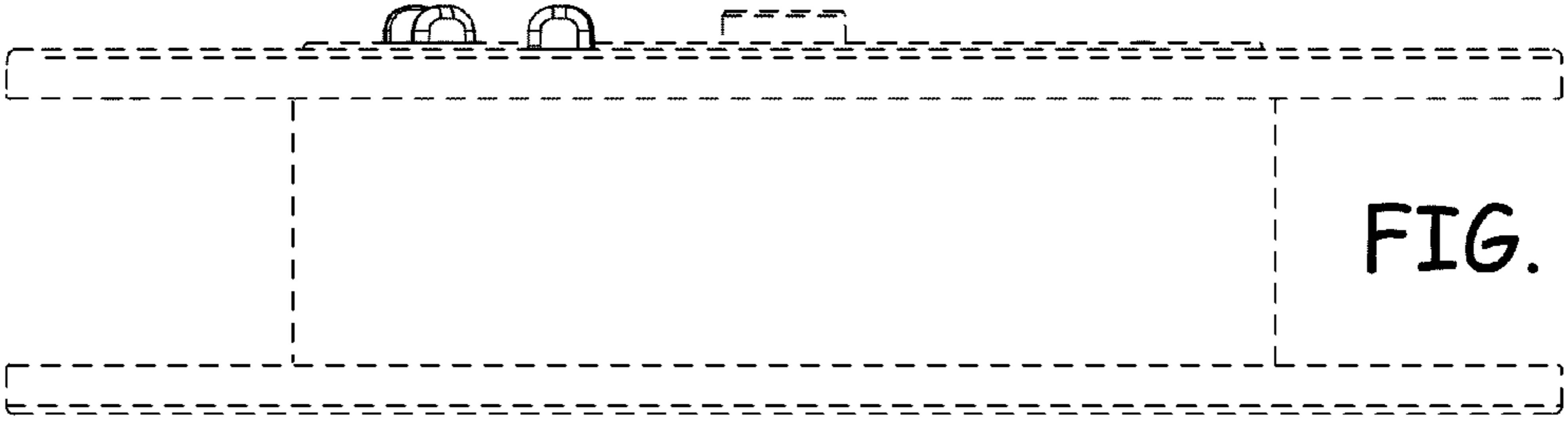


FIG. 6