



US00D628465S

(12) **United States Design Patent**
Hernandez

(10) **Patent No.:** **US D628,465 S**

(45) **Date of Patent:** **** Dec. 7, 2010**

(54) **HOSE ACCESSORY CADDY**

(76) Inventor: **Larry Hernandez**, 1566 Heather La.,
Riverside, CA (US) 92504

(**) Term: **14 Years**

(21) Appl. No.: **29/366,962**

(22) Filed: **Aug. 2, 2010**

(51) **LOC (9) Cl.** **08-05**

(52) **U.S. Cl.** **D8/356**

(58) **Field of Classification Search** D8/356,
D8/354, 349, 359, 358; 174/135; 248/89,
248/75; 385/135, 134, 60, 62; 52/220.1,
52/74.1; D13/156; D19/34; D32/31; D29/129;
222/113; 29/426.5; 446/372, 385; 15/323;
206/373; 220/735

See application file for complete search history.

(56) **References Cited**

U.S. PATENT DOCUMENTS

441,511	A *	11/1890	Segur	248/489
803,464	A *	10/1905	Beck	24/339
2,900,111	A	8/1959	Scheurer		
3,672,617	A *	6/1972	Neyendorf	248/75
D264,010	S *	4/1982	Graf	D29/129
D325,929	S *	5/1992	Larson et al.	D19/34
D363,163	S	10/1995	Funatsu et al.		
5,515,593	A	5/1996	Eagler		
D395,390	S *	6/1998	Etherton et al.	D8/367
6,079,675	A *	6/2000	Hsu	248/75
D431,447	S *	10/2000	Meyerhoefer	D8/356
D434,886	S	12/2000	Wareham et al.		
D442,444	S *	5/2001	Bowling et al.	D8/1
D462,603	S *	9/2002	Wright et al.	D8/356
6,476,327	B1 *	11/2002	Bernard et al.	174/101
D481,303	S *	10/2003	Fell et al.	D8/395
D487,536	S *	3/2004	Ågren	D32/31
6,832,408	B2	12/2004	Roney et al.		
D523,321	S *	6/2006	Verbeek	D8/323

D539,638	S *	4/2007	Franks, Jr.	D8/395
7,249,728	B2 *	7/2007	Williamson	242/566
D554,979	S *	11/2007	Hsu	D8/356
D576,406	S *	9/2008	Chan	D3/318
D589,329	S *	3/2009	Plunk et al.	D8/359
D597,827	S *	8/2009	Brassard	D8/395
D602,662	S *	10/2009	Conner	D32/31
D605,032	S *	12/2009	Bushey	D8/402
D608,190	S *	1/2010	Jimenez	D8/395
D621,692	S *	8/2010	Clarke	D8/354
D622,132	S *	8/2010	DeMars et al.	D8/356
D622,585	S *	8/2010	Walker, Jr.	D8/396
D622,927	S *	9/2010	Griebel	D1/122
D623,048	S *	9/2010	Moy	D8/395

* cited by examiner

Primary Examiner—Cynthia Underwood

(74) *Attorney, Agent, or Firm*—Kirk A. Buhler; Buhler & Associates

(57) **CLAIM**

The ornamental design for a hose accessory caddy, as shown and described.

DESCRIPTION

FIG. 1 is a perspective view for a hose accessory caddy showing my new design;

FIG. 2 is a front side view thereof;

FIG. 3 is a bottom view thereof;

FIG. 4 is a back view thereof;

FIG. 5 is a top view thereof;

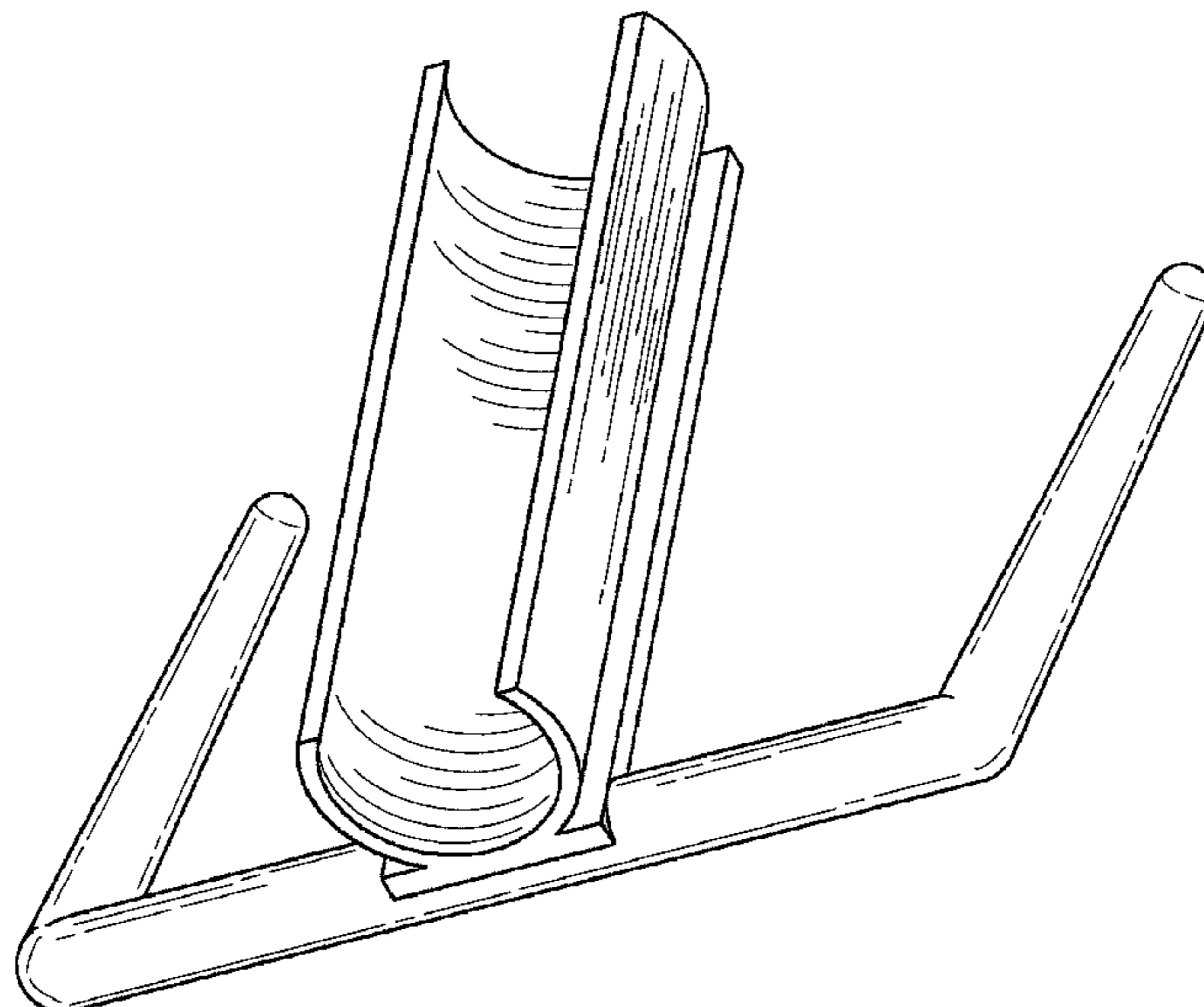
FIG. 6 is a right view thereof;

FIG. 7 is a left view thereof; and,

FIG. 8 is an isometric view thereof shown in an environment of use.

The broken lines in FIG. 8 depict environmental subject matter only and form no part of the claimed design.

1 Claim, 5 Drawing Sheets



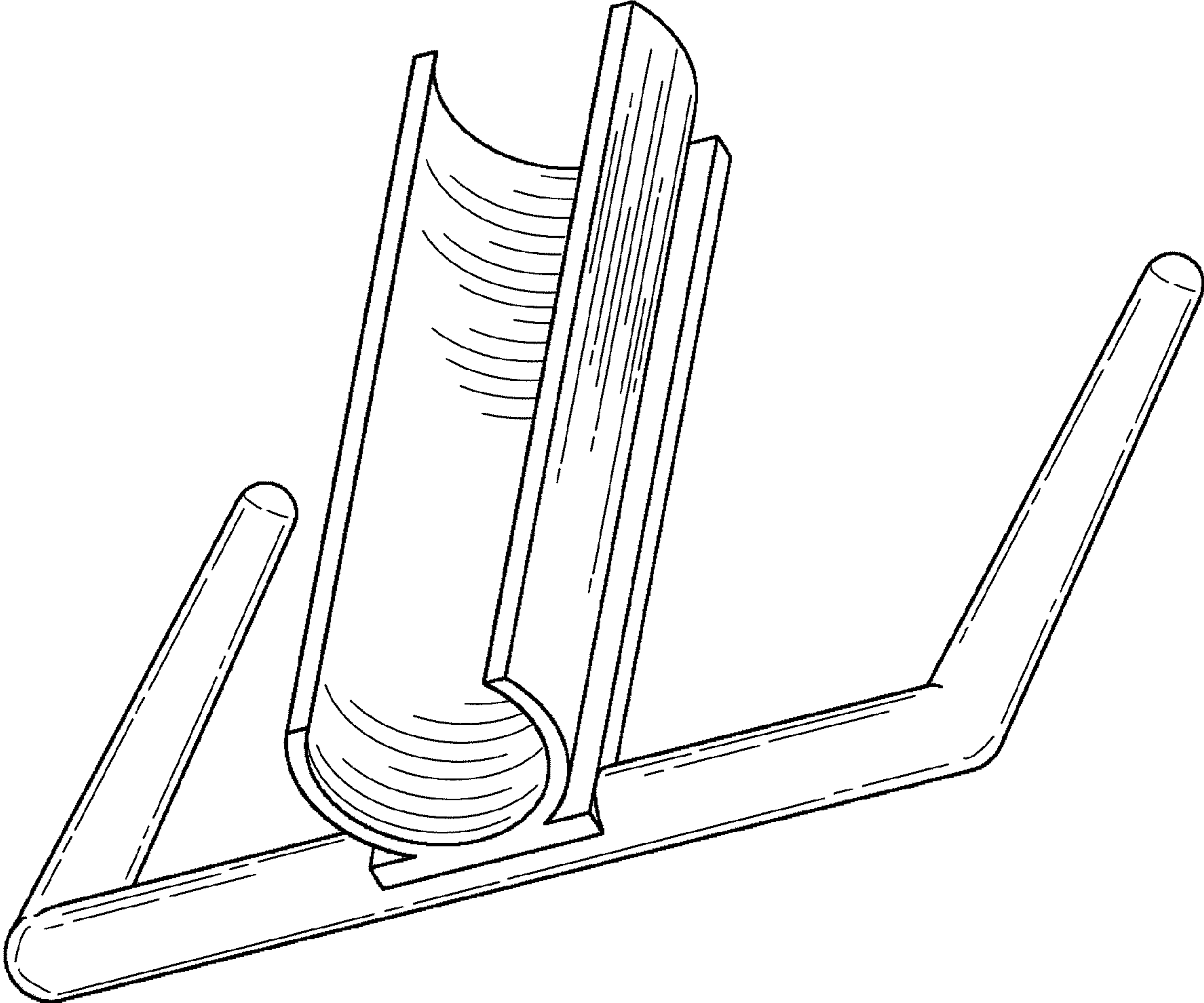


FIG. 1

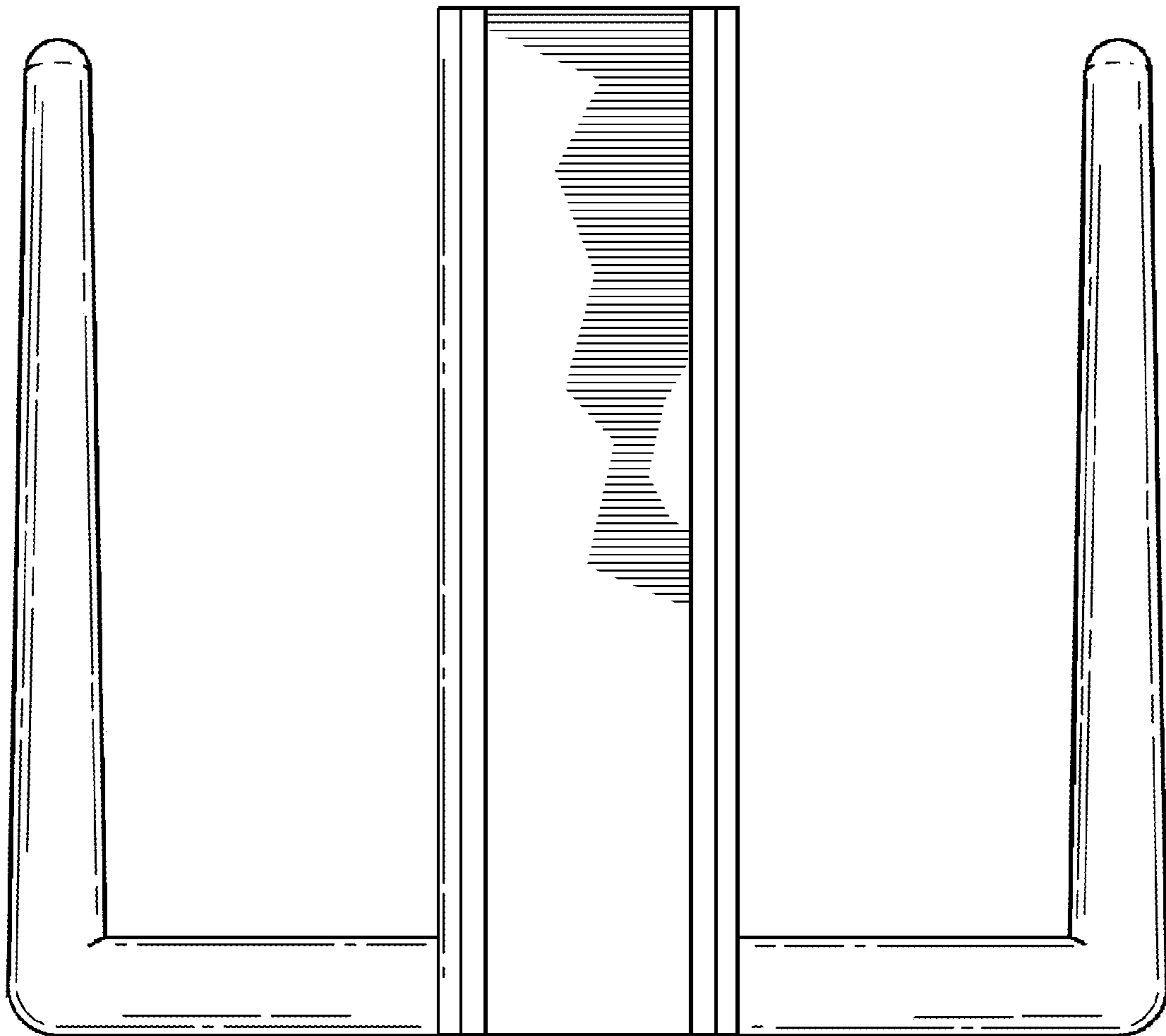


FIG. 2

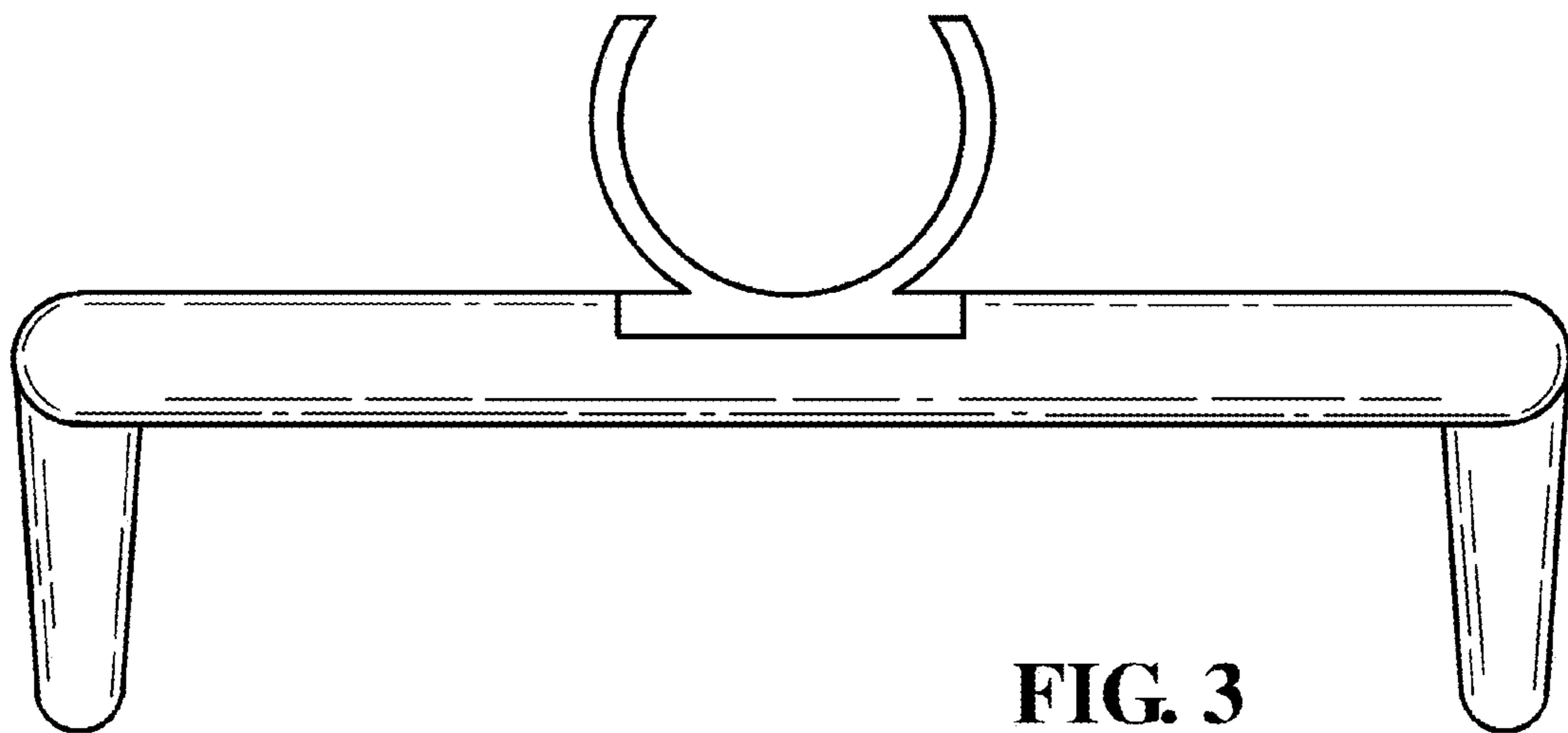


FIG. 3

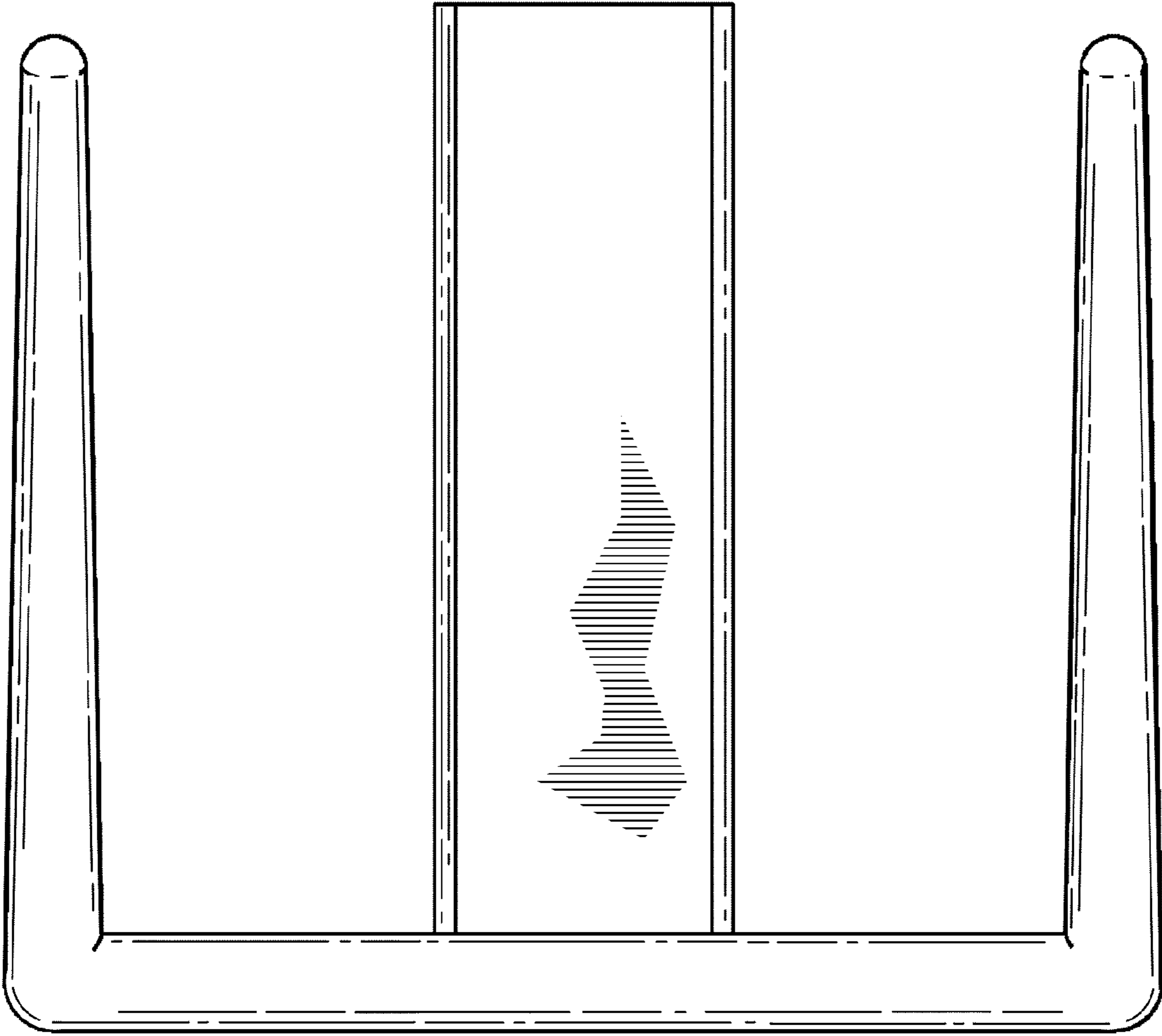


FIG. 4

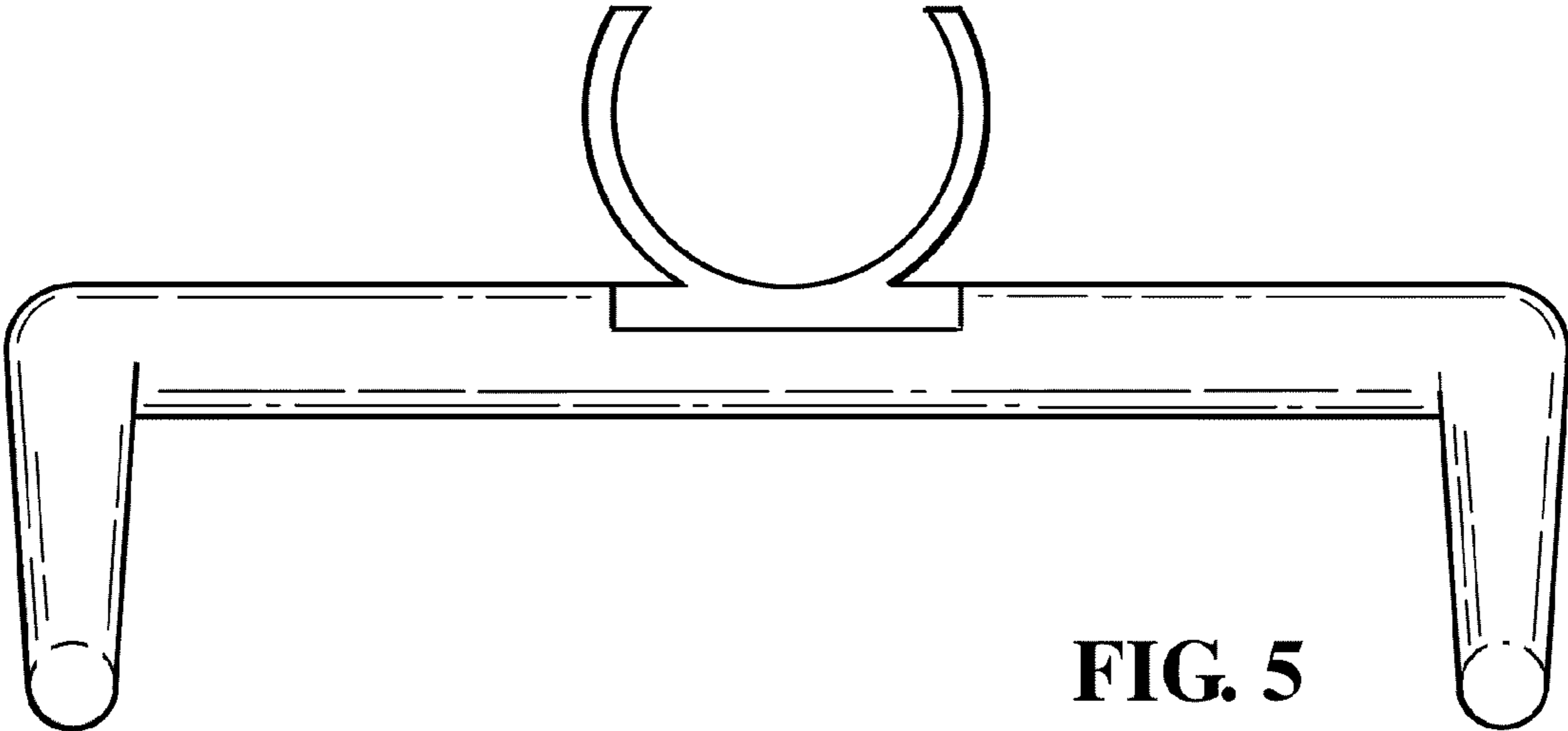


FIG. 5

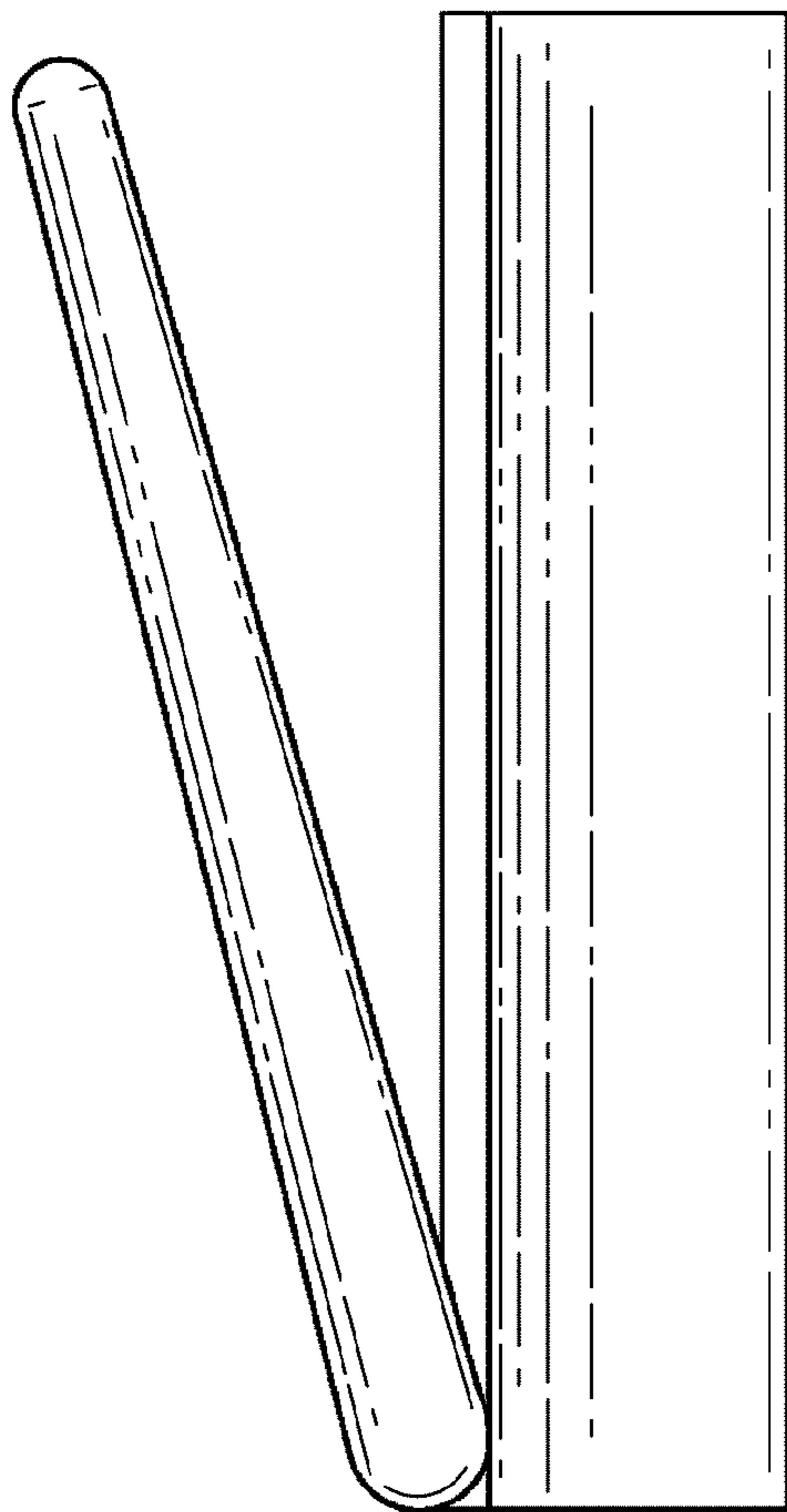


FIG. 6

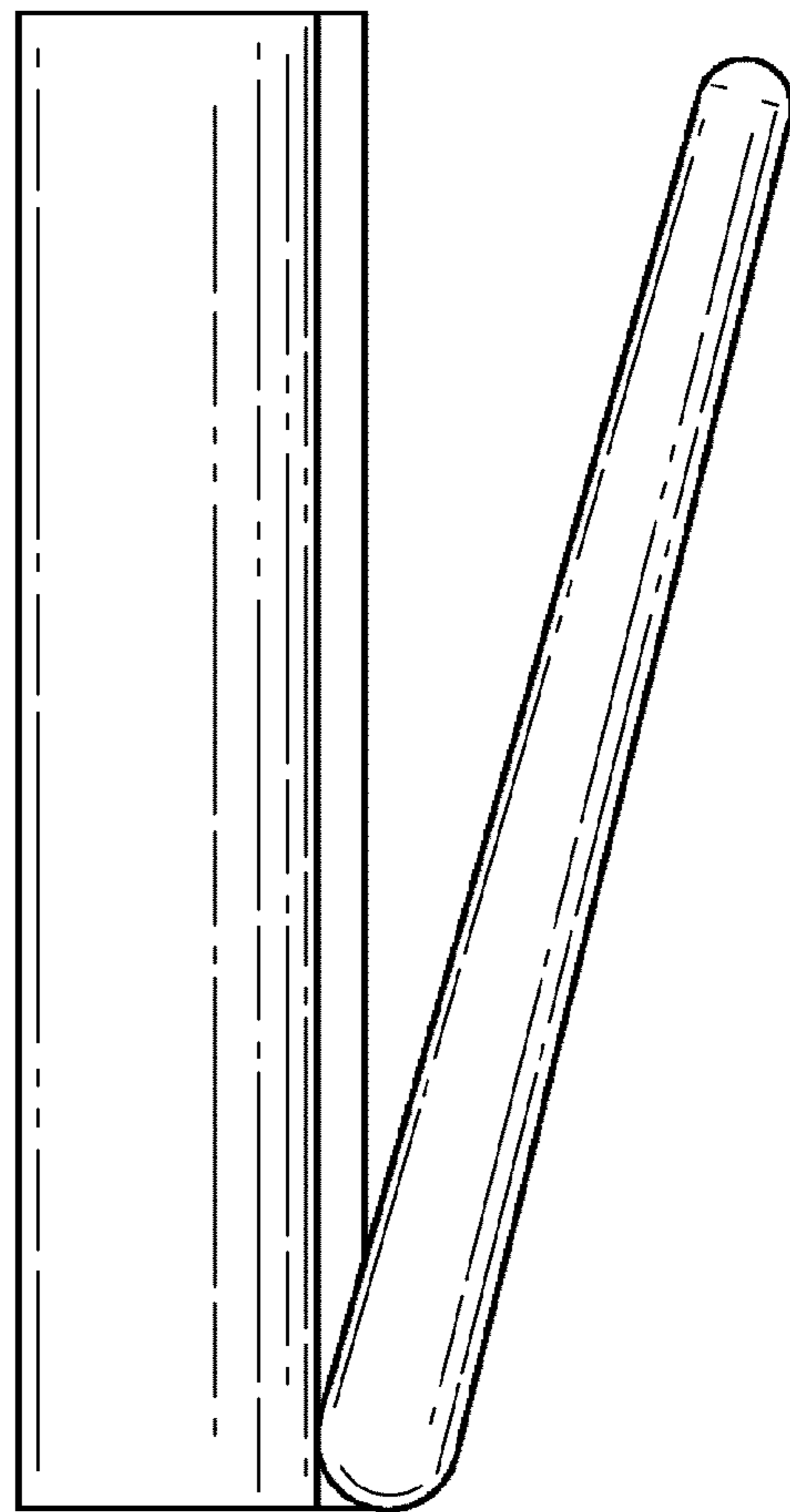


FIG. 7

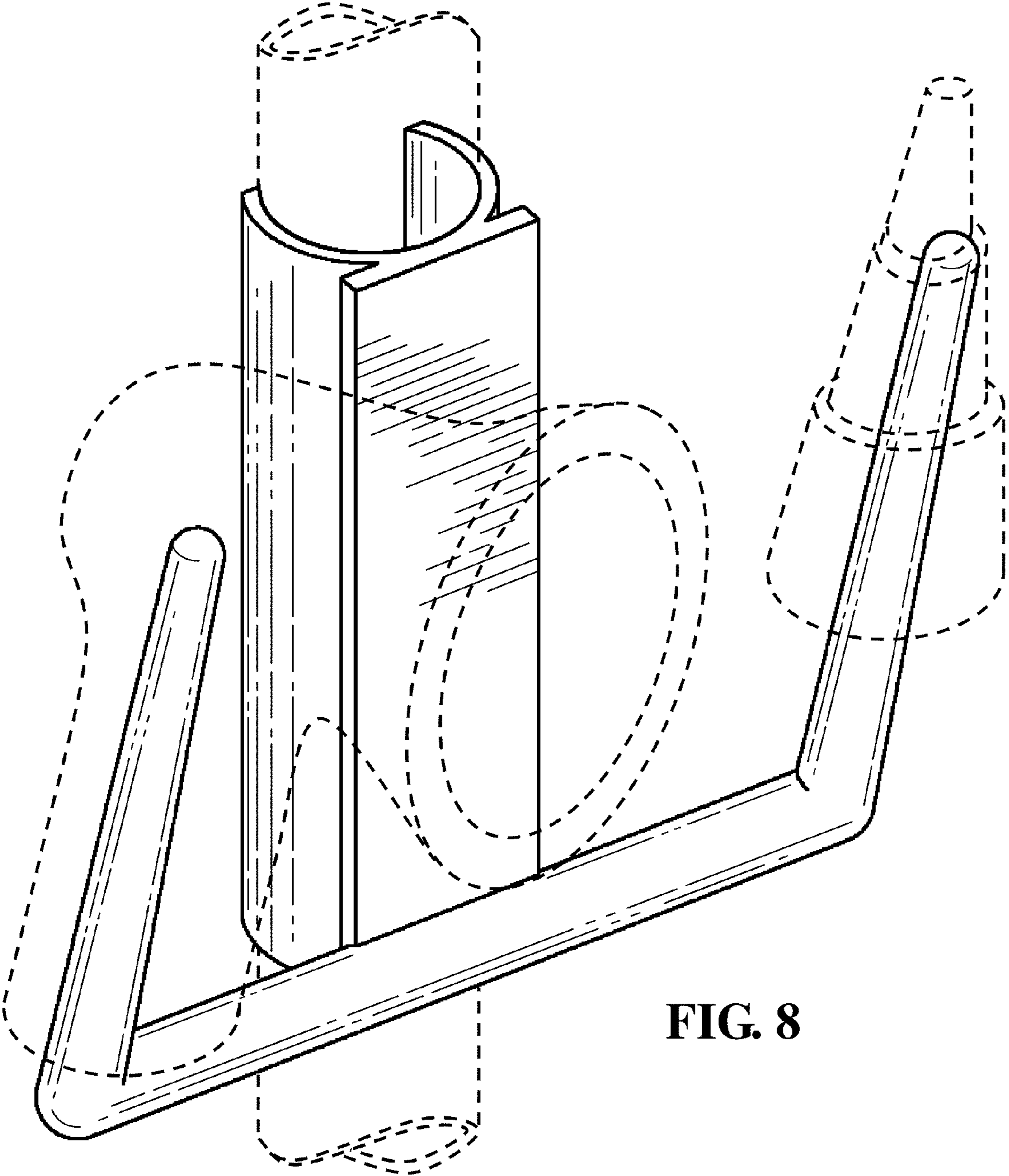


FIG. 8