



US00D628463S

(12) **United States Design Patent**  
**Kelleghan**

(10) **Patent No.:** **US D628,463 S**

(45) **Date of Patent:** **\*\* Dec. 7, 2010**

(54) **ANGLE CARABINER**

D347,988 S \* 6/1994 Thorne ..... D8/333

(75) Inventor: **Brian James Kelleghan**, Longmont, CO  
(US)

D355,859 S 2/1995 Schroeder

D364,574 S 11/1995 Utz et al.

(73) Assignee: **Bison Designs, LLC**, Longmont, CO  
(US)

(Continued)

(\*\*) Term: **14 Years**

**OTHER PUBLICATIONS**

(21) Appl. No.: **29/356,407**

Triangle Scan of website [http://www.bisondesigns.com/mm5/merchant.mvc?Screen=PROD&Store\_Code=BD  
&Product\_Code=13TRI&Category\_Code=] showing prior art carabiner sold by by Bison Designs.

(22) Filed: **Feb. 25, 2010**

**Related U.S. Application Data**

(62) Division of application No. 29/340,484, filed on Jul. 20, 2009, now Pat. No. Des. 613,584.

*Primary Examiner*—Robert M Spear

*Assistant Examiner*—Karen Acker

(74) *Attorney, Agent, or Firm*—Oppedahl Patent Law Firm LLC; Margaret Polson

(51) **LOC (9) Cl.** ..... **08-08**

(52) **U.S. Cl.** ..... **D8/356**

(58) **Field of Classification Search** ..... D8/105,  
D8/107, 333, 349, 356, 358, 360, 360.1, 367,  
D8/372, 373, 382, 383, 394–396, 400; D13/133,  
D13/139.4, 153, 155; 24/18, 20 W, 23 W,  
24/115 R, 129 C, 130, 131 R, 197, 561; 52/220.7;  
174/135, 153 G, 650, 656; 211/86.01, 87.01,  
211/94.01; 242/400.1, 405.1, 405.2, 600,  
242/603; 248/65, 74.1–74.4, 201, 214, 215,  
248/229.26; 114/114

See application file for complete search history.

(57) **CLAIM**

The ornamental design for an angle carabiner, as shown and described.

**DESCRIPTION**

FIG. 1 is a top plan view of my new design for an angle carabiner;

FIG. 2 is a the bottom plan view of FIG. 1.

FIG. 3 is a front side elevation view of FIG. 1.

FIG. 4 is a rear side elevation view of FIG. 1.

FIG. 5 is a left side elevation view of FIG. 1.

FIG. 6 is a right side elevation view of FIG. 1; and,

FIG. 7 is a top perspective view of FIG. 1.

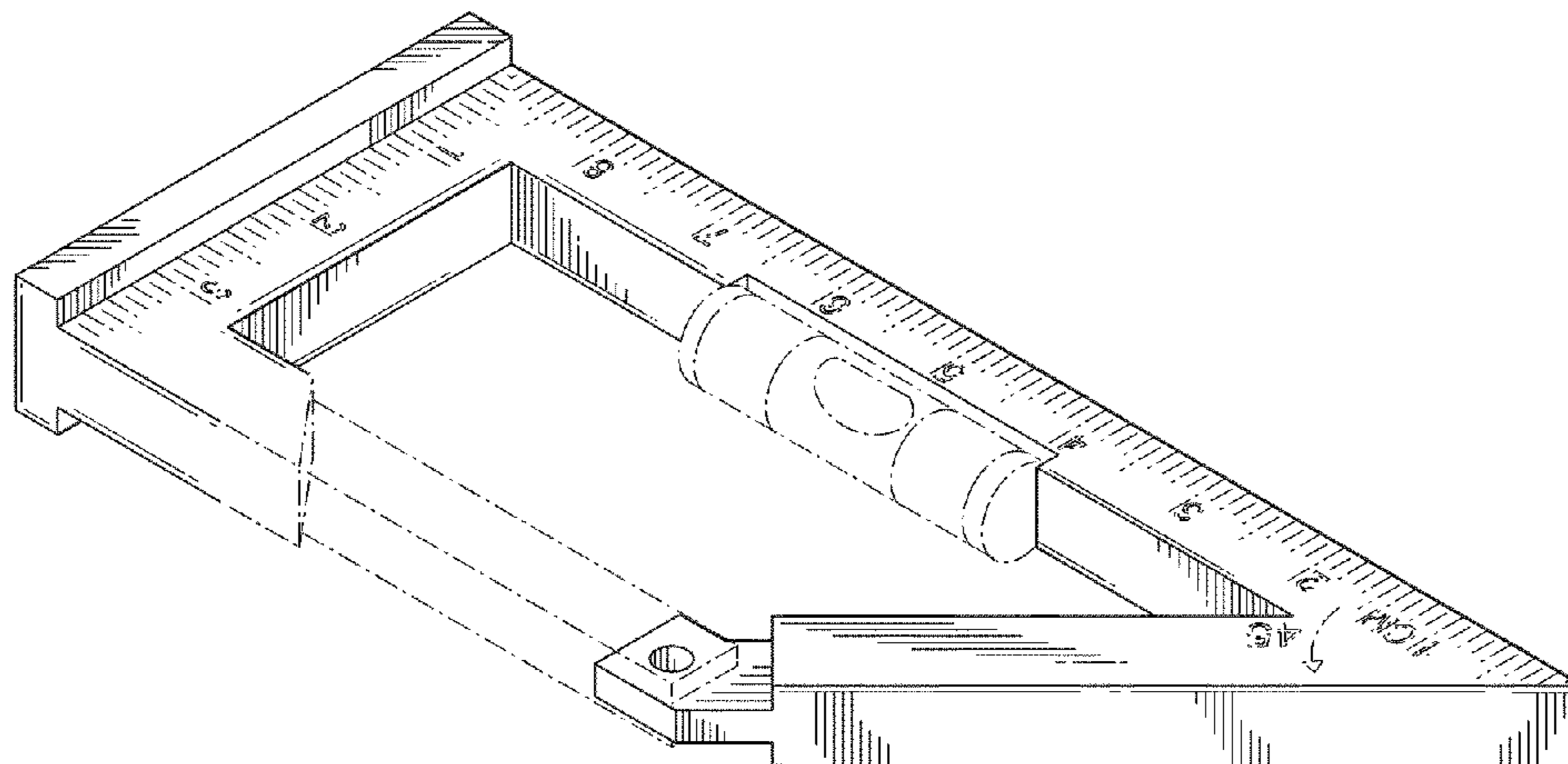
The broken lines in the drawing represent unclaimed environmental subject matter.

**1 Claim, 2 Drawing Sheets**

(56) **References Cited**

**U.S. PATENT DOCUMENTS**

827,989 A	8/1906	Noble	
1,356,431 A	10/1920	Eddy	
1,840,135 A	1/1932	Schutt	
2,836,892 A	6/1958	Nisenson	
D185,921 S	8/1959	Draper	
4,068,386 A	1/1978	Streeter	
4,742,619 A *	5/1988	Swanson	33/474
4,805,315 A	2/1989	Nesbitt	
D313,762 S	1/1991	Chan et al.	



# US D628,463 S

Page 2

## U.S. PATENT DOCUMENTS

D369,981 S	5/1996	Hayes et al.		D475,591 S	6/2003	Luquire	
D396,792 S *	8/1998	Connors .....	D8/105	6,588,076 B1	7/2003	Choate	
D416,501 S	11/1999	DiGangi et al.		D478,823 S	8/2003	Kelleghan	
D419,251 S	1/2000	Parsons et al.		D480,492 S	10/2003	Wu	
6,026,581 A	2/2000	Gruetzmacher		D483,519 S	12/2003	Liu et al.	
D422,731 S	4/2000	Parsons et al.		6,688,259 B2	2/2004	Axel	
D425,437 S	5/2000	Defelice		6,715,898 B1	4/2004	Huang	
6,190,018 B1	2/2001	Parsons et al.		D511,698 S	11/2005	Allemand	
D440,889 S	4/2001	Frescas		D515,903 S	2/2006	Kelleghan	
D441,473 S	5/2001	Parsons et al.		D527,988 S	9/2006	Shetler	
D445,700 S *	7/2001	Mapston .....	D10/62	7,111,349 B2	9/2006	Goldberg	
D454,312 S *	3/2002	Anderson et al. ....	D10/65	D529,789 S	10/2006	Klecker	
6,357,890 B1	3/2002	Parsons et al.		D537,369 S	2/2007	Bao	
D457,304 S	5/2002	Yuen		7,353,571 B2	4/2008	Goldberg	
D459,338 S	6/2002	Sterzick		7,398,601 B2 *	7/2008	Morrell .....	33/429
D462,891 S	9/2002	Kelleghan		D587,606 S *	3/2009	McMasters .....	D10/65
D466,422 S	12/2002	Luquire		D590,699 S	4/2009	Szymanski et al.	
D466,786 S *	12/2002	Bourgeois et al. ....	D8/107	7,530,131 B1	5/2009	Conrique	
D469,023 S	1/2003	Mah		2005/0002519 A1	1/2005	Goldberg	
D471,305 S	3/2003	Luquire		2005/0028331 A1	2/2005	Axel	
D474,095 S	5/2003	Luquire		2005/0278907 A1	12/2005	DiMarchi et al.	

\* cited by examiner

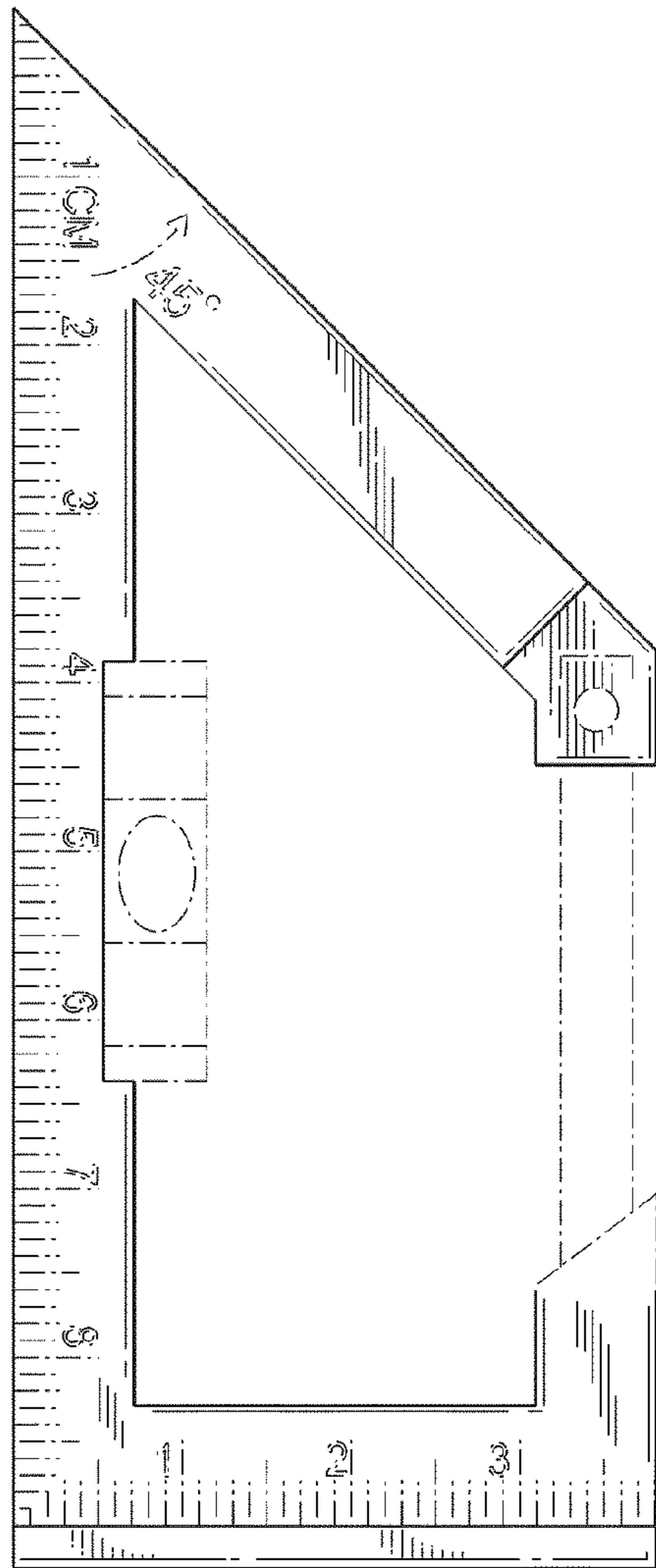


FIG. 1

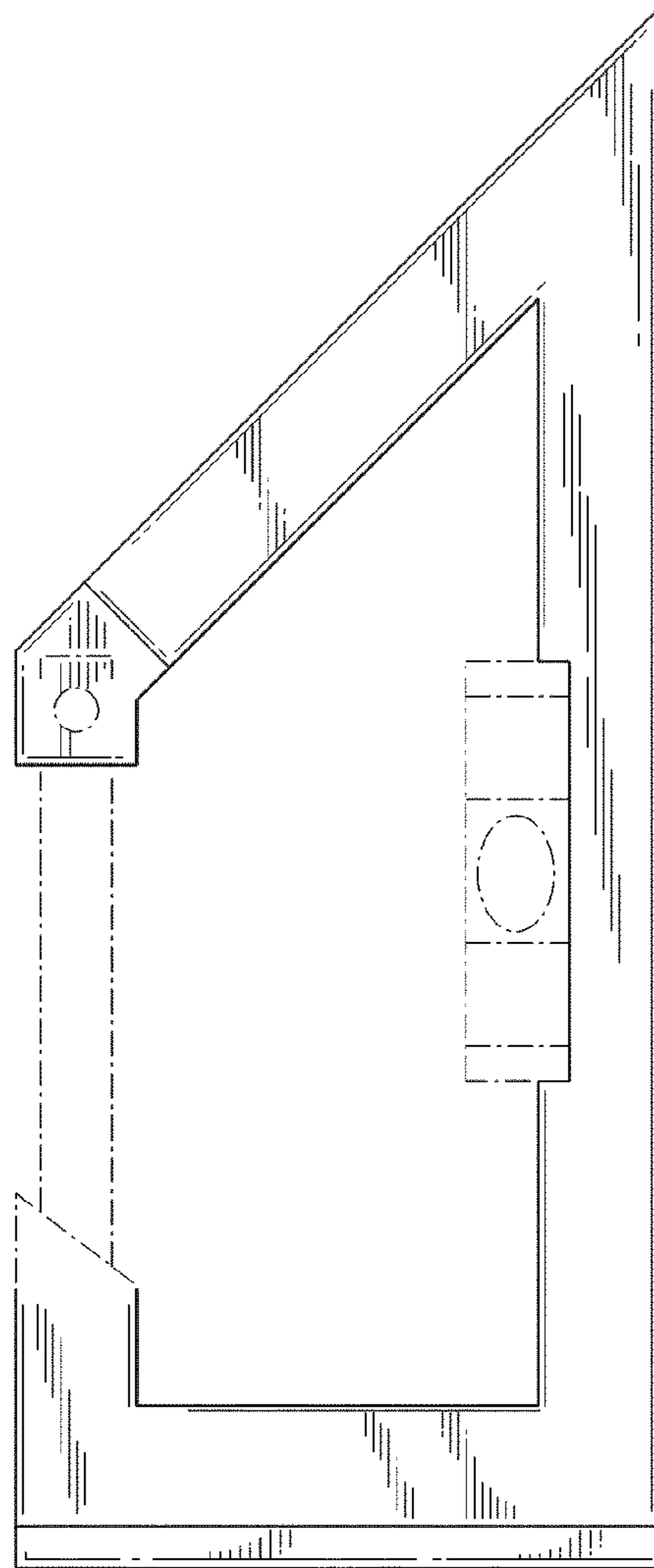


FIG. 2

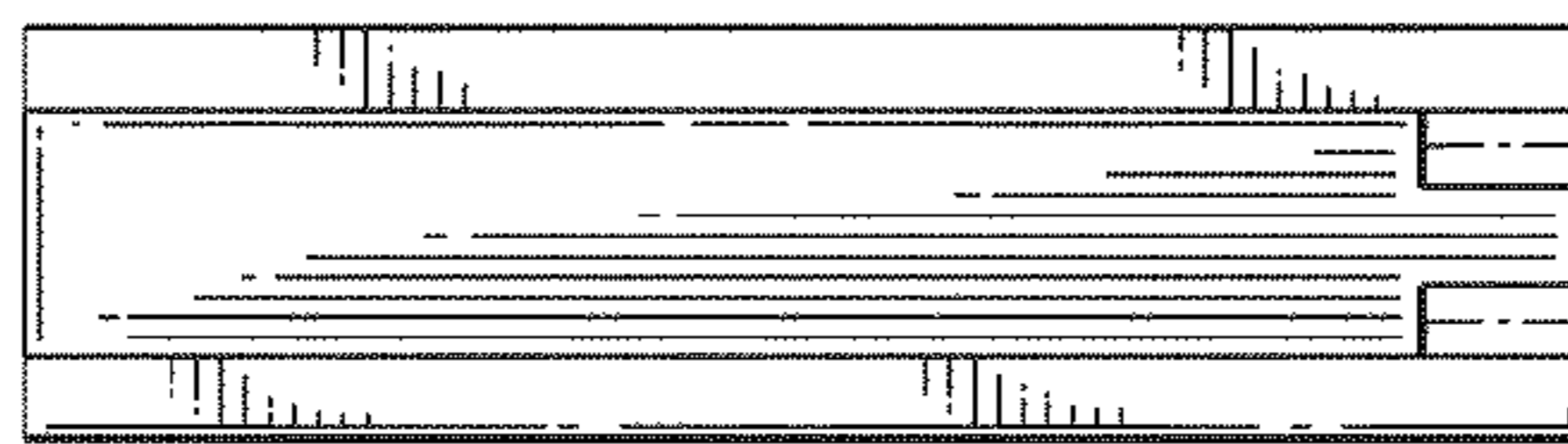


FIG. 3

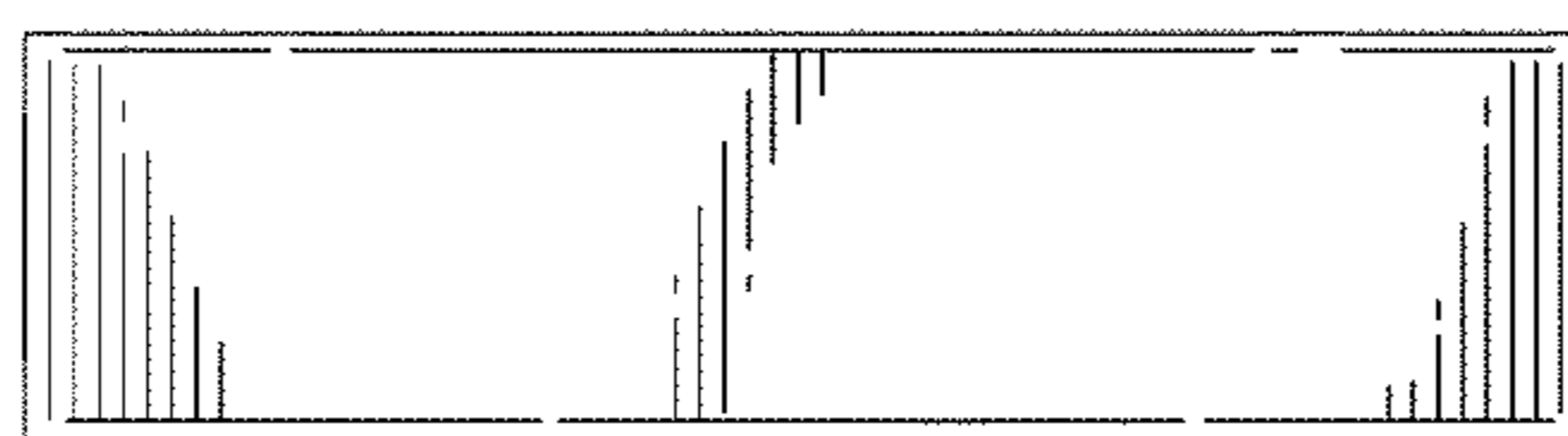


FIG. 4



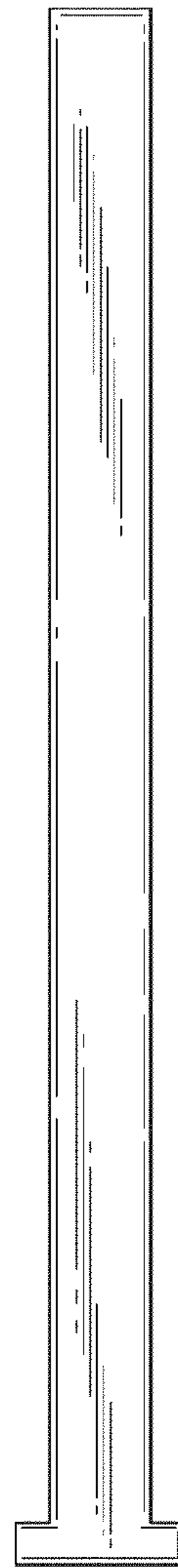


FIG. 5

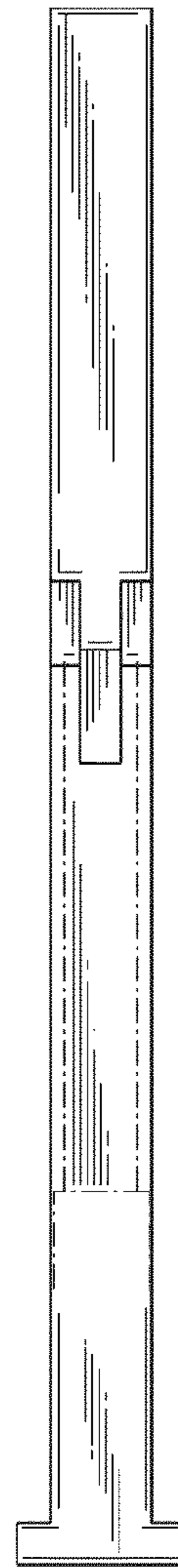


FIG. 6

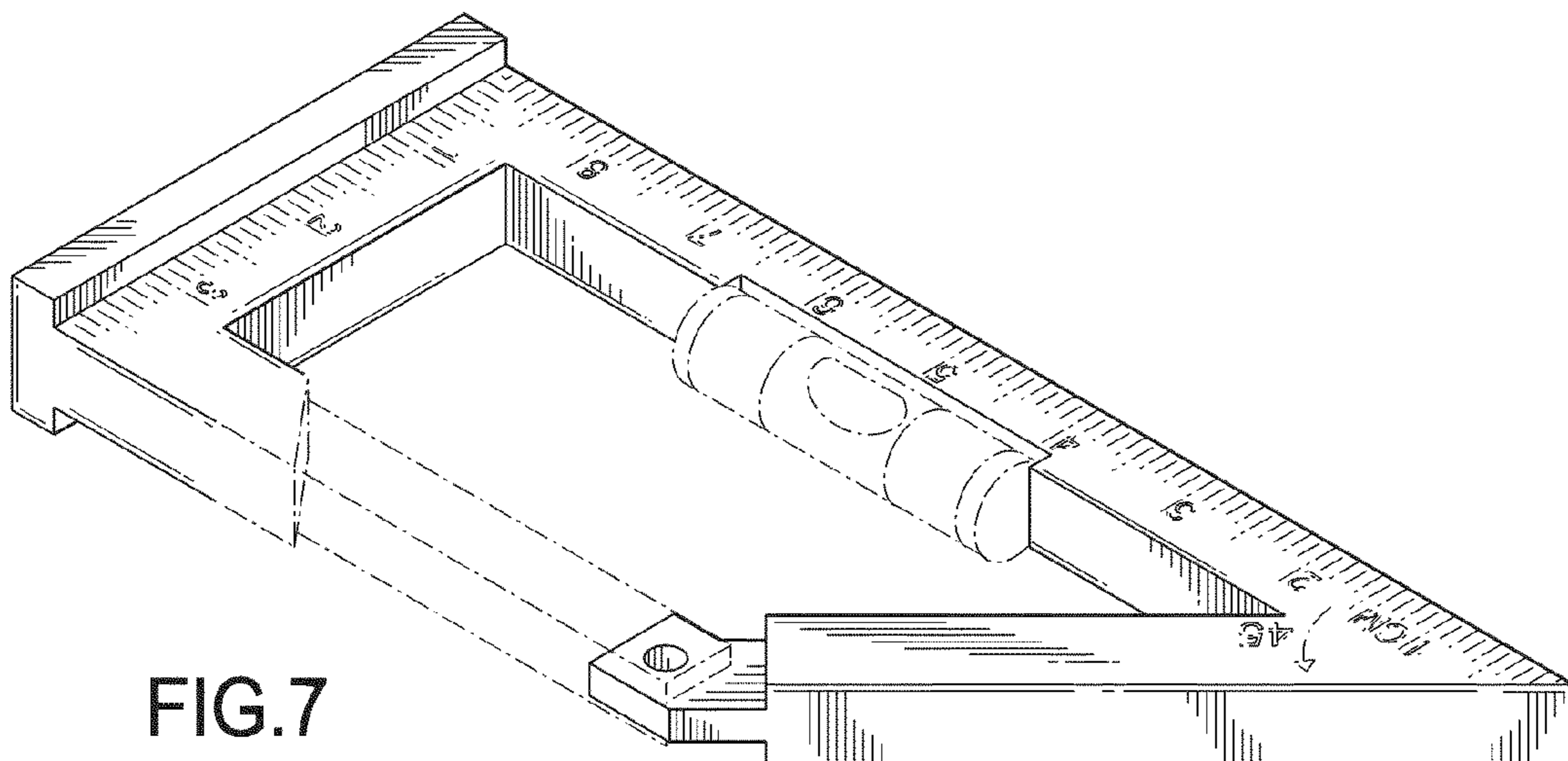


FIG. 7