



US00D628462S

(12) **United States Design Patent**
Sato

(10) **Patent No.:** **US D628,462 S**
(45) **Date of Patent:** **** Dec. 7, 2010**

(54) **OPTICAL FIBER HOLDER**

(75) Inventor: **Ryuichiro Sato**, Kanagawa (JP)

(73) Assignee: **Sumitomo Electric Industries, Ltd.**,
Osaka (JP)

(**) Term: **14 Years**

(21) Appl. No.: **29/351,181**

(22) Filed: **Dec. 1, 2009**

(30) **Foreign Application Priority Data**

Jun. 5, 2009 (JP) 2009-012690

(51) **LOC (9) Cl.** **08-08**

(52) **U.S. Cl.** **D8/356**

(58) **Field of Classification Search** D8/105,
D8/107, 333, 349, 354, 356, 358, 360, 360.1,
D8/367, 372, 373, 382, 383, 394-396, 400;
D13/133, 139.4, 153, 155; 24/18, 20 W,
24/23 W, 115 R, 129 C, 130, 131 R, 197,
24/561; 52/220.7; 174/72 A, 100, 135, 153 G,
174/650, 656; 211/86.01, 87.01, 94.01; 242/400.1,
242/405.1, 405.2, 600, 603; 248/65, 74.1-74.4,
248/201, 214, 215, 229.26; 385/134
See application file for complete search history.

(56) **References Cited**

U.S. PATENT DOCUMENTS

D258,864 S *	4/1981	Muller	D8/356
D284,176 S *	6/1986	Battersby	D11/87
4,810,557 A *	3/1989	Blonder	428/156
D321,637 S *	11/1991	Chan	D8/105
5,152,241 A *	10/1992	Brown et al.	114/199
D400,775 S *	11/1998	Hsu	D8/107
6,377,743 B1 *	4/2002	Ueda et al.	385/137
D459,303 S *	6/2002	Florescu	D13/133
6,481,581 B2 *	11/2002	Sipe	211/4
6,679,461 B1 *	1/2004	Hawkins	248/74.2
D499,330 S *	12/2004	Peato	D8/383
D523,729 S *	6/2006	Gorst	D8/333
D524,735 S *	7/2006	Hung et al.	D13/123

D538,143 S *	3/2007	Pu et al.	D8/394
7,292,765 B2 *	11/2007	Sato	385/137
7,340,146 B2 *	3/2008	Lampert et al.	385/139
7,412,146 B2 *	8/2008	Sato et al.	385/134
7,546,020 B2 *	6/2009	Honma	385/137
7,591,396 B2 *	9/2009	Tramontina et al.	221/39
7,686,518 B2 *	3/2010	Case et al.	385/53
7,732,709 B2 *	6/2010	Puri et al.	174/50
2001/0023911 A1 *	9/2001	Kommers	248/74.1
2003/0123836 A1 *	7/2003	Fujisawa et al.	385/137
2005/0123253 A1 *	6/2005	Sato	385/99
2007/0246614 A1 *	10/2007	Allmann et al.	248/65
2009/0074370 A1 *	3/2009	Kowalczyk et al.	385/135

* cited by examiner

Primary Examiner—Robert M Spear

Assistant Examiner—Karen Acker

(74) *Attorney, Agent, or Firm*—McDermott Will & Emery LLP

(57) **CLAIM**

The ornamental design for an optical fiber holder, as shown and described.

DESCRIPTION

FIG. 1 is a perspective view of the front, right and top of an optical fiber holder showing my new design;

FIG. 2 is a front view thereof;

FIG. 3 is a rear view thereof;

FIG. 4 is a top plan view thereof;

FIG. 5 is a bottom view thereof;

FIG. 6 is a right side view thereof;

FIG. 7 is a left side view thereof;

FIG. 8 is a reference view with its lid in open condition thereof; and,

FIG. 9 is a reference view of usage thereof.

The elements shown in broken lines are for illustrative purposes only and form no part of the claimed design.

1 Claim, 7 Drawing Sheets

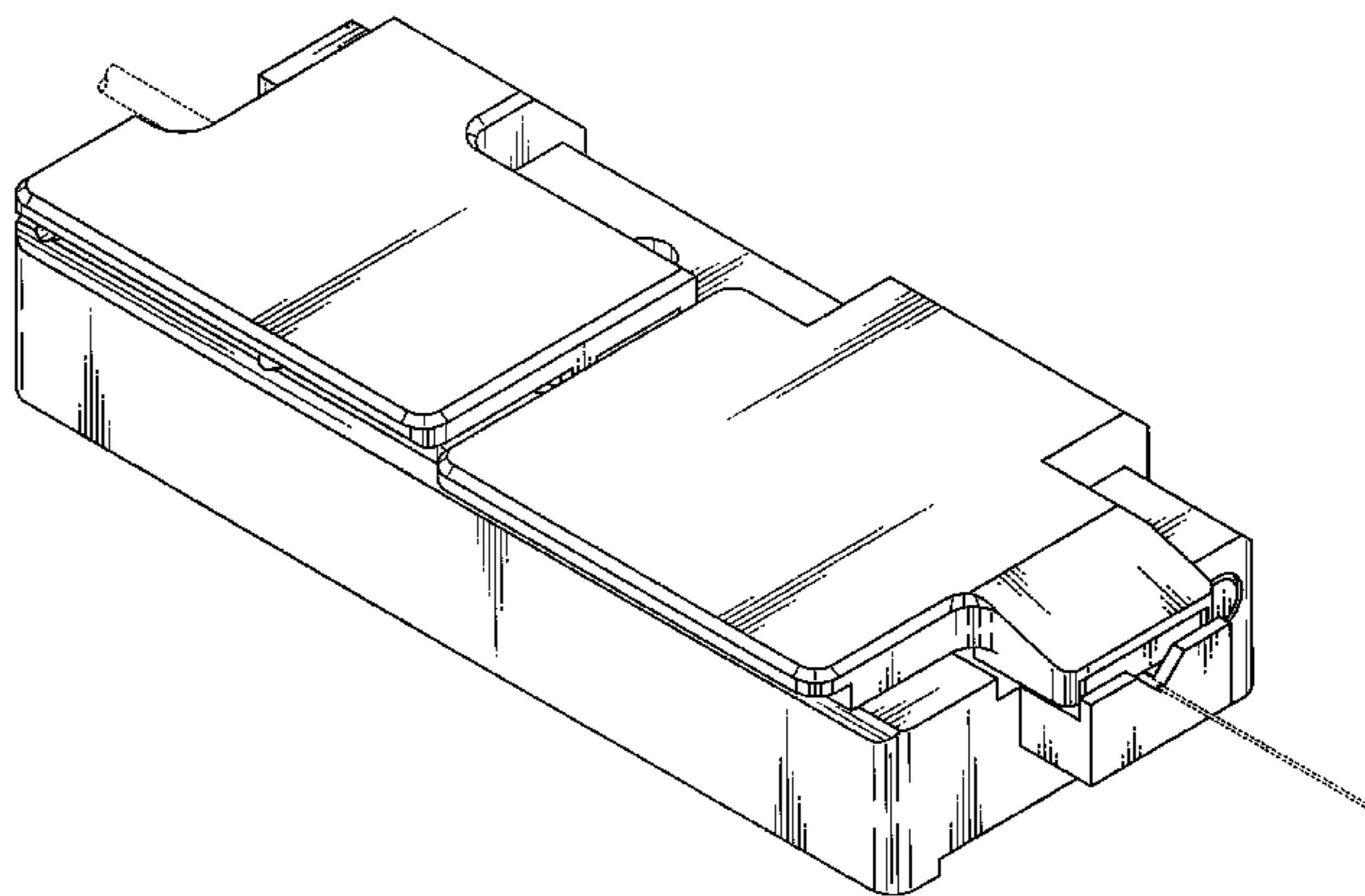
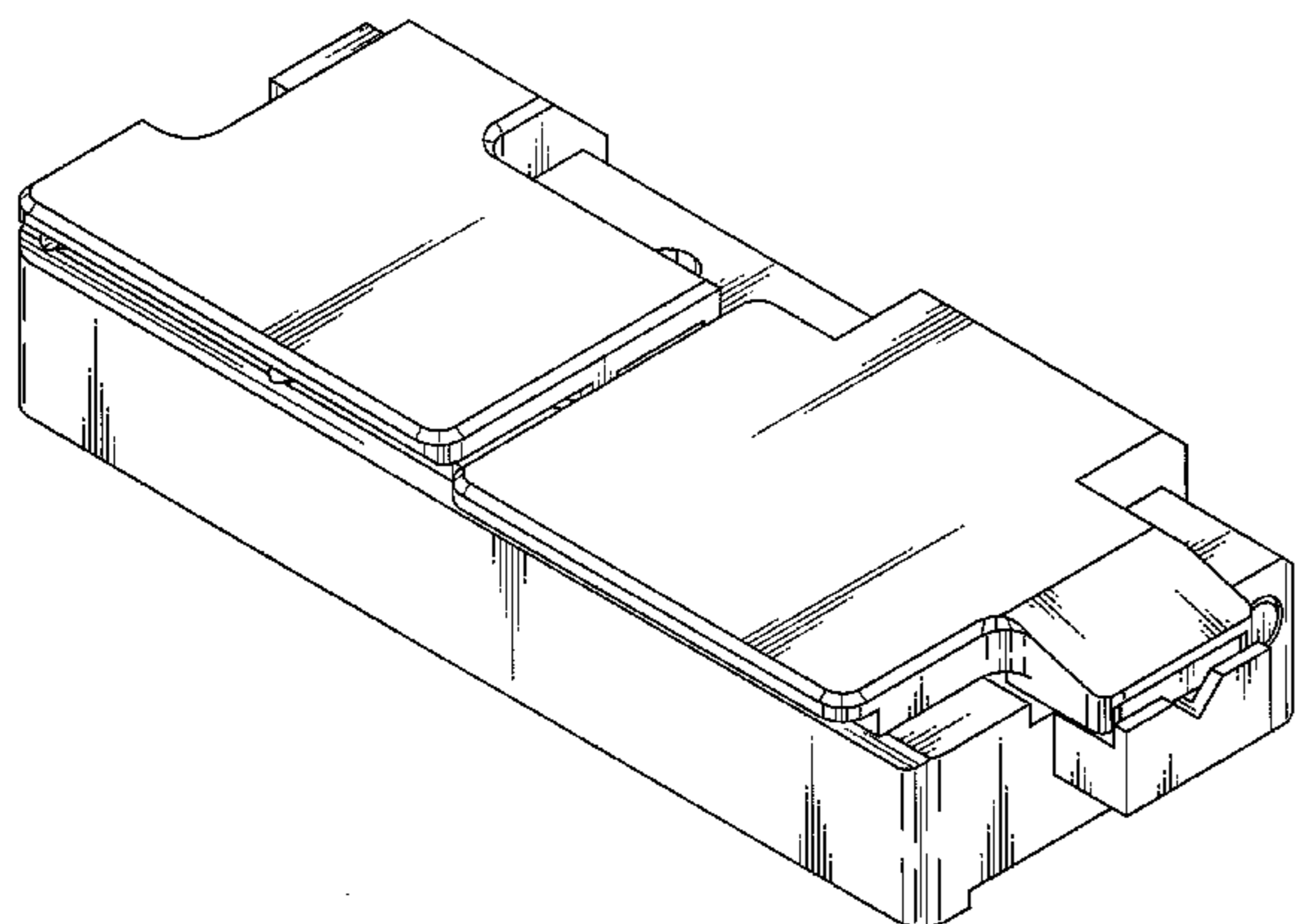


FIG.1

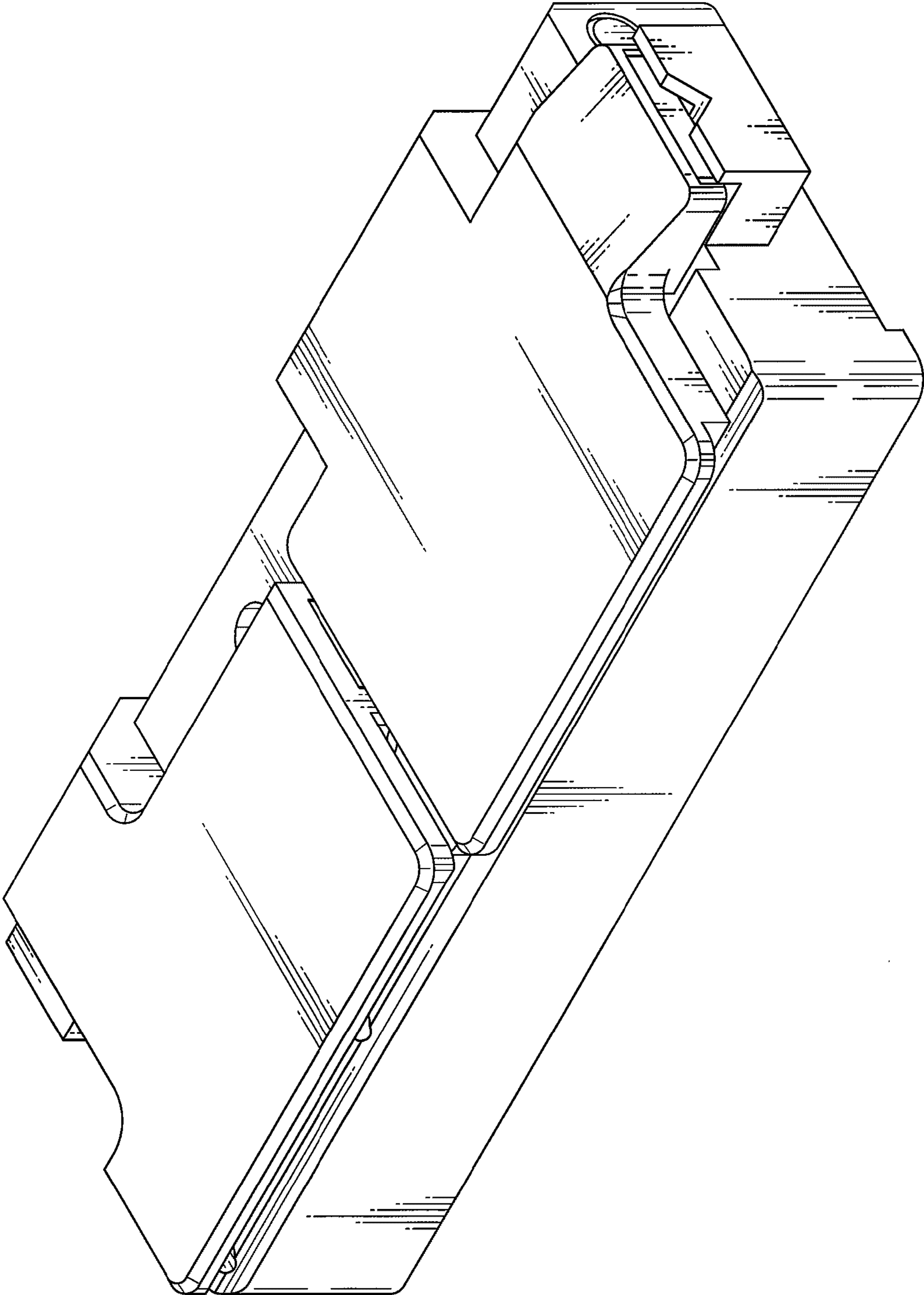


FIG.2

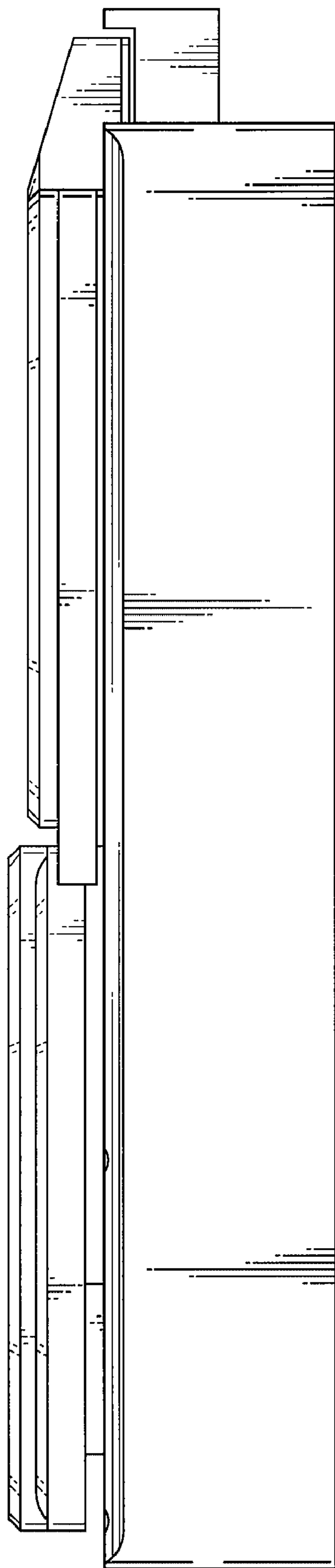


FIG.3

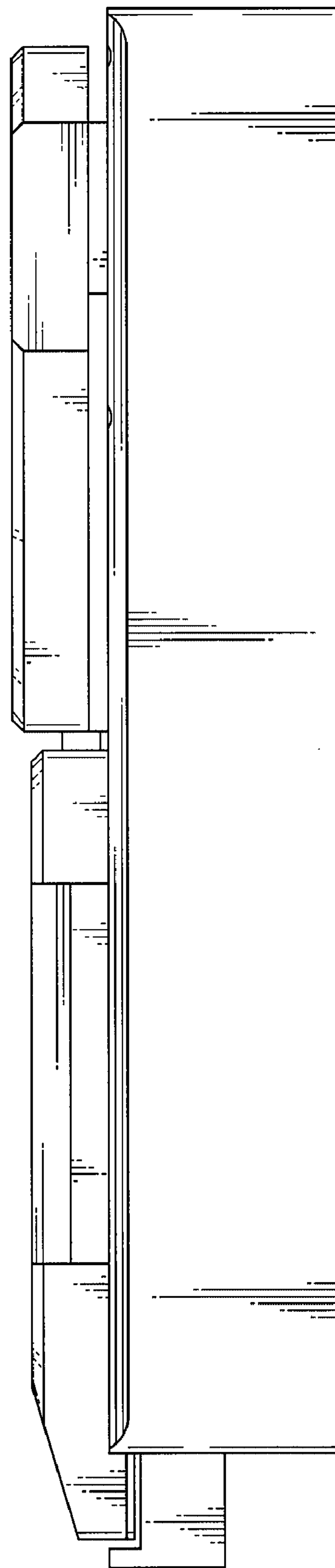


FIG.4

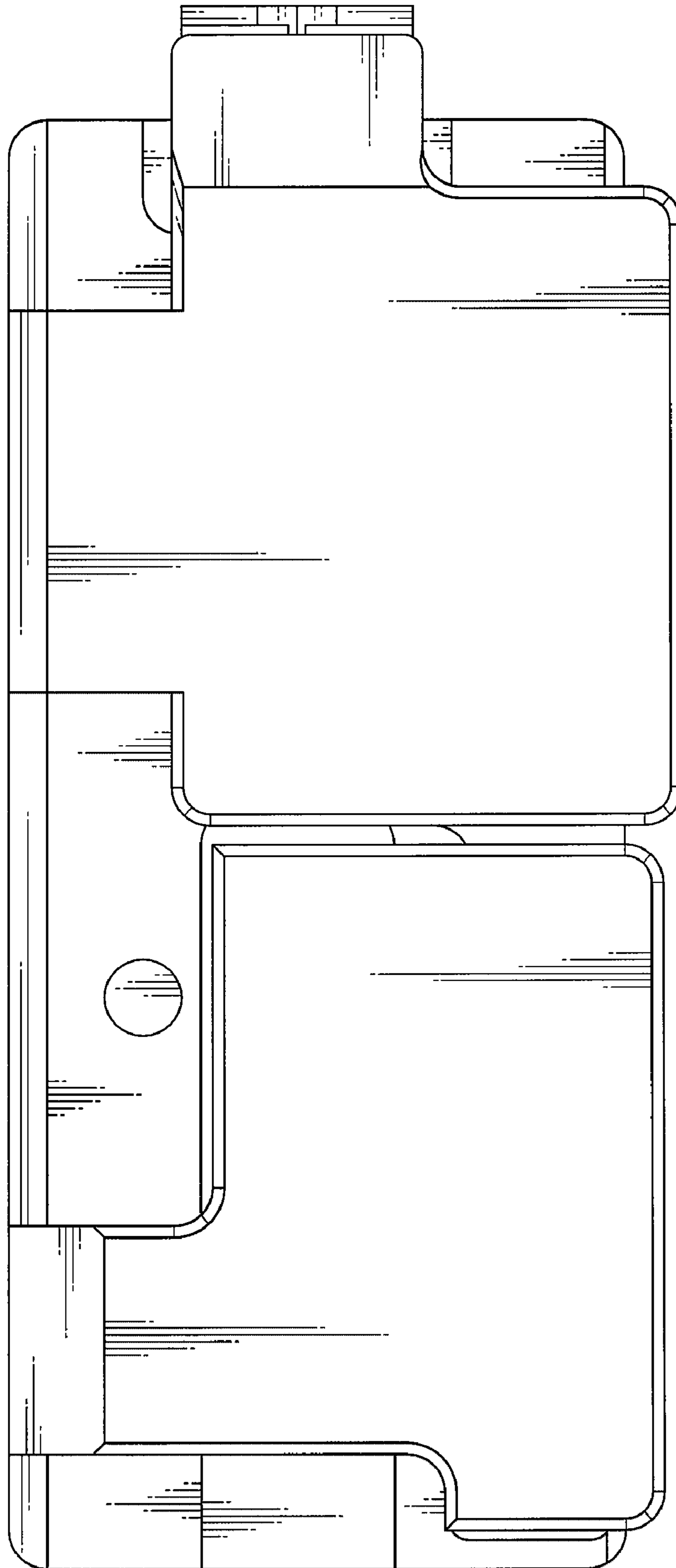


FIG.5

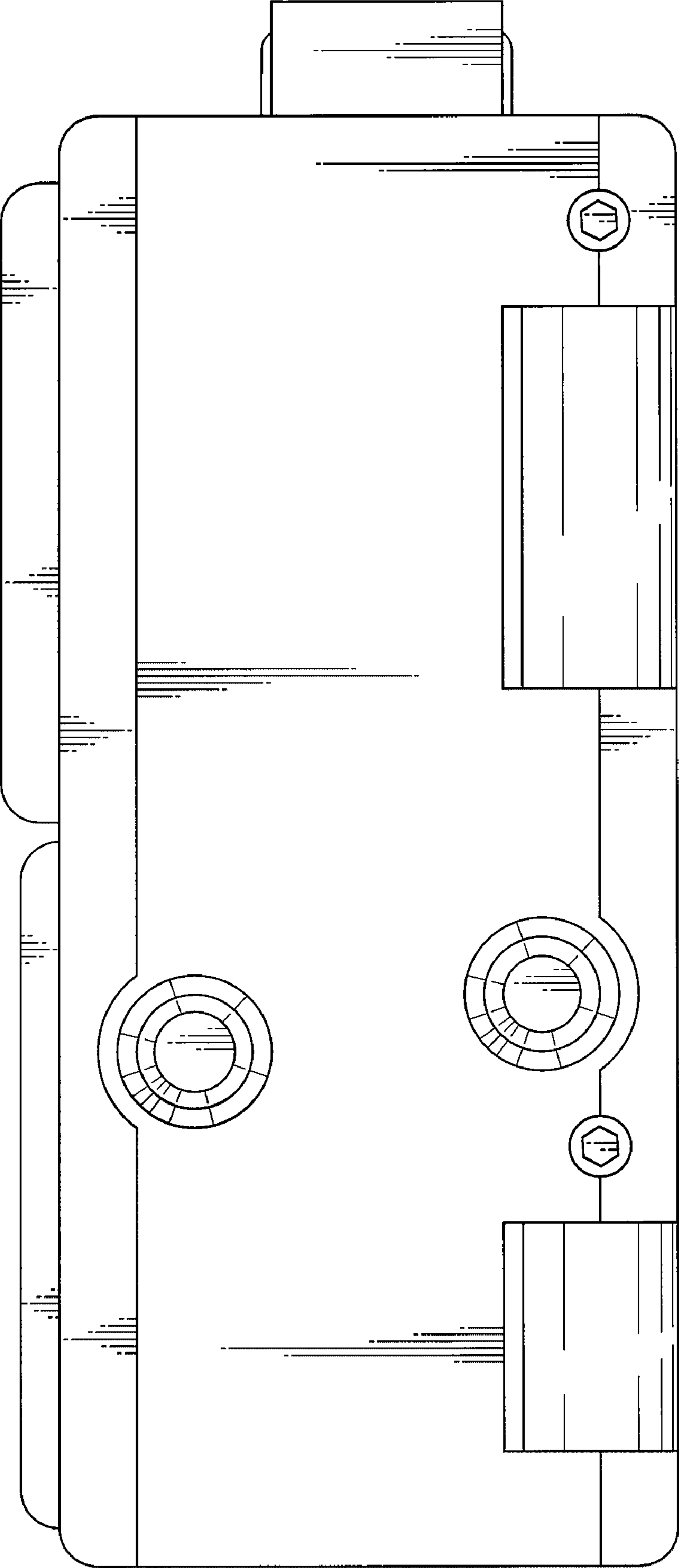


FIG.6

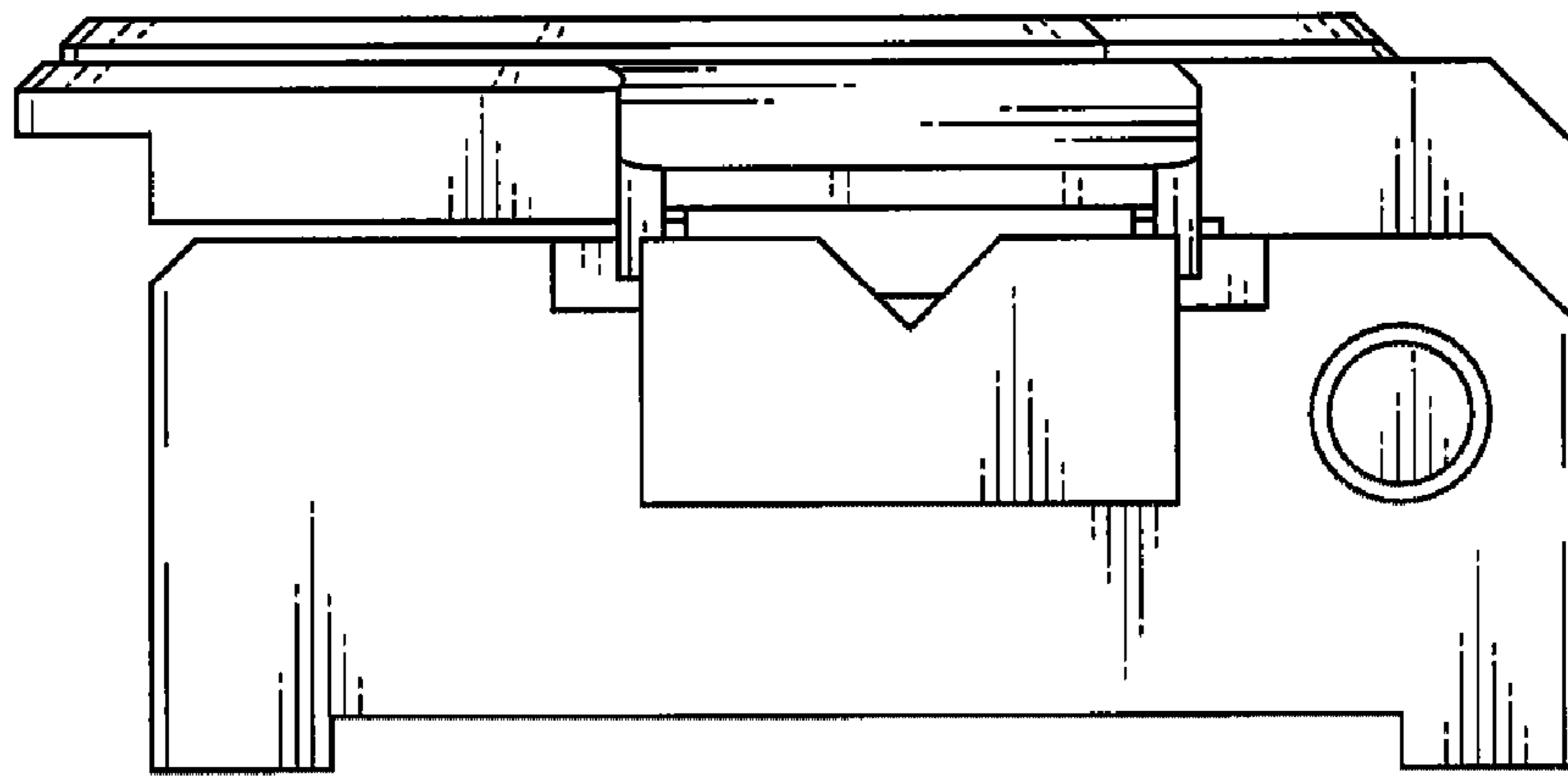
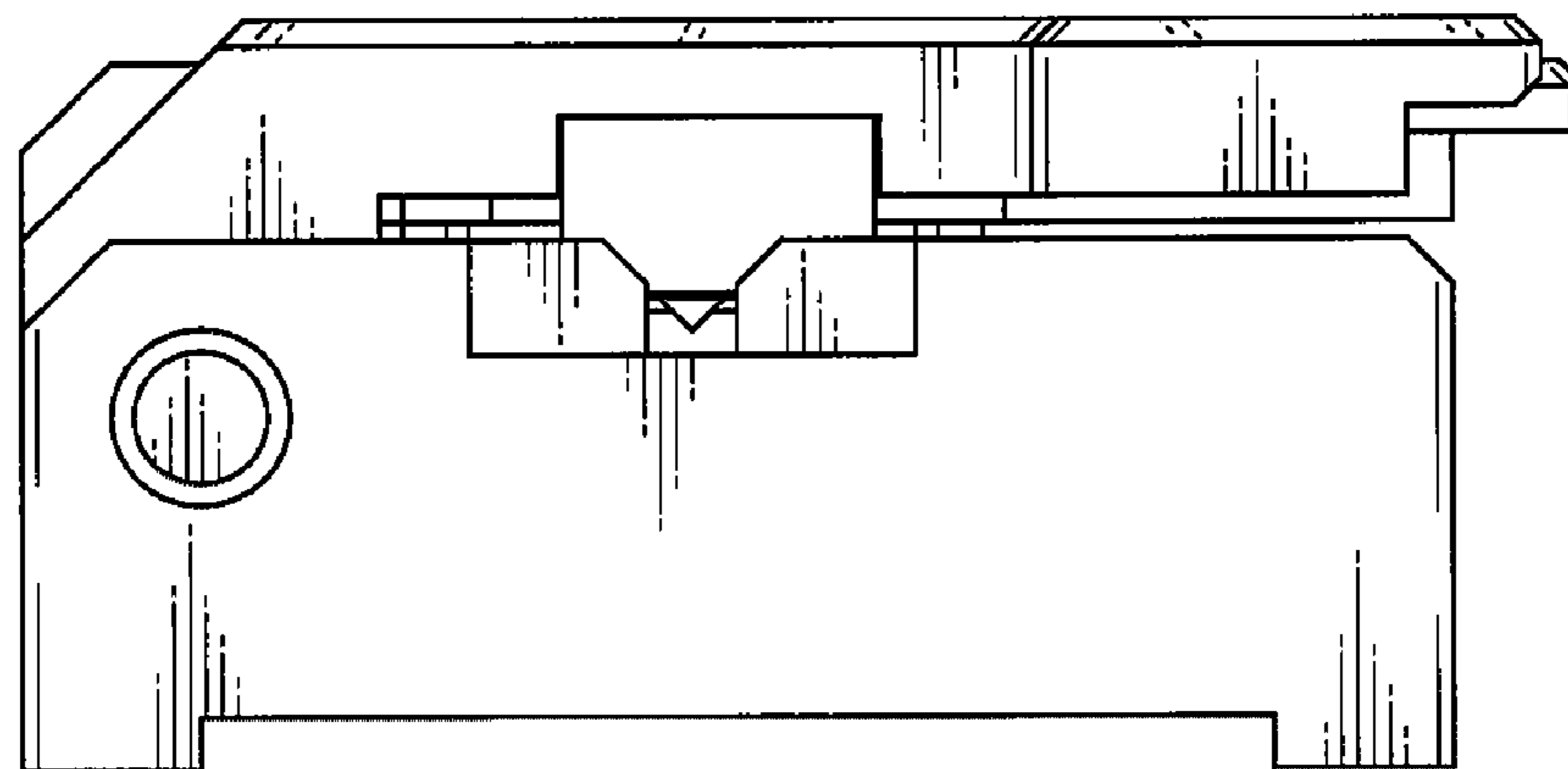


FIG.7



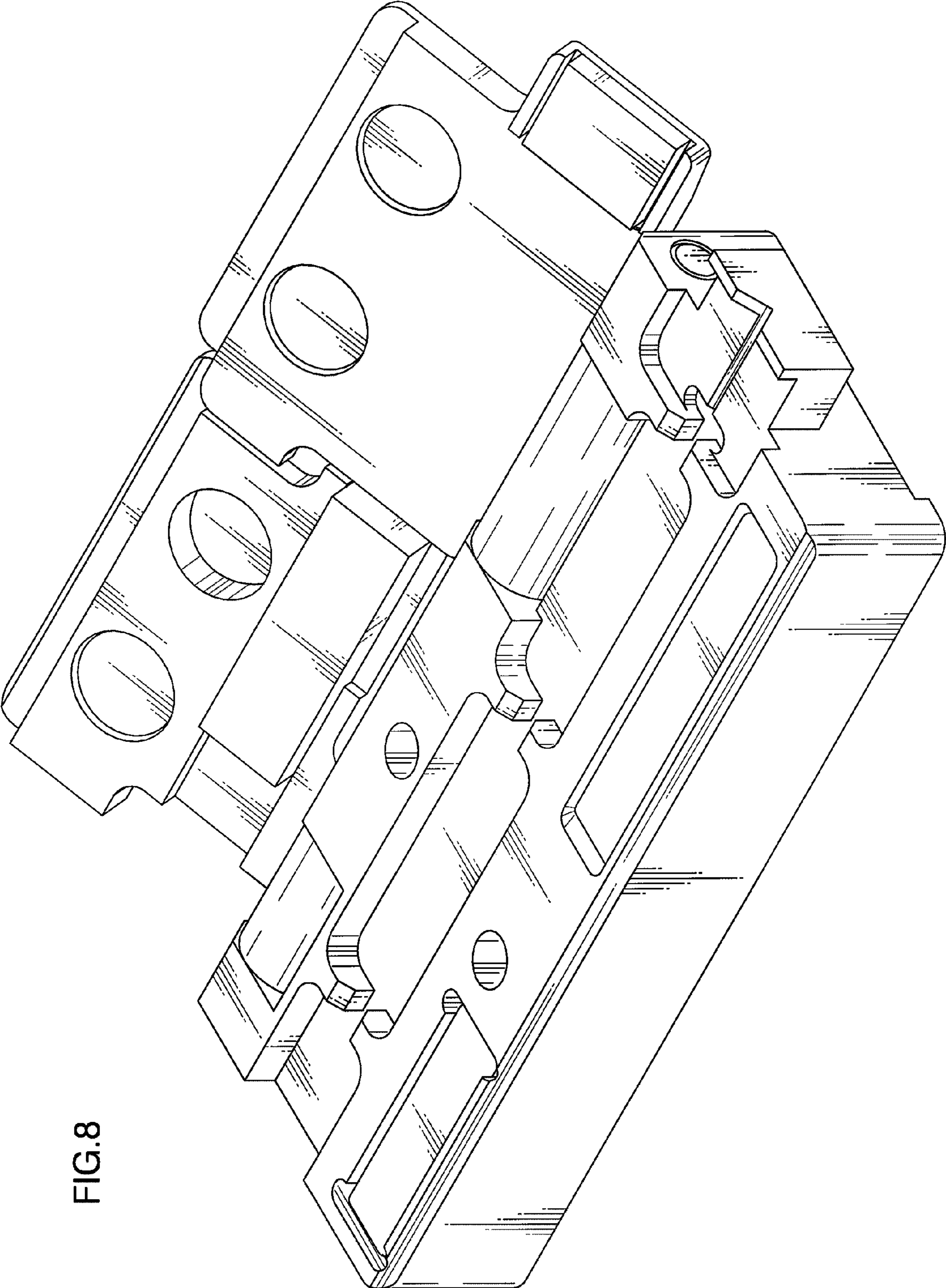


FIG.8

FIG. 9

