



US00D628460S

(12) **United States Design Patent**
Seitz

(10) **Patent No.:** **US D628,460 S**

(45) **Date of Patent:** **** Dec. 7, 2010**

(54) **METAL BRACKET FOR SUPPORTING PLYWOOD IN WINDOWS**

(76) Inventor: **Marvin D. Seitz**, 509 Ashland Creek, Victoria, TX (US) 77901

(**) Term: **14 Years**

(21) Appl. No.: **29/355,787**

(22) Filed: **Feb. 12, 2010**

(51) **LOC (9) Cl.** **08-01**

(52) **U.S. Cl.** **D8/354**

(58) **Field of Classification Search** D8/349, D8/354; 248/300; 16/254, 363, 371

See application file for complete search history.

(56) **References Cited**

U.S. PATENT DOCUMENTS

2,506,160	A *	5/1950	Martin et al.	248/255
2,693,927	A *	11/1954	Gardner	248/263
2,725,098	A *	11/1955	Kirkham	160/41
3,222,018	A	12/1965	Masters		
5,343,668	A	9/1994	Gonzalez		
5,634,618	A	6/1997	Farmer, Jr.		
5,678,797	A *	10/1997	Gogan	248/251
6,363,669	B1	4/2002	Hoffman		
6,393,777	B1	5/2002	Renfrow		
2006/0123717	A1	6/2006	Huminski		
2007/0101667	A1	5/2007	Sweet, Jr.		
2008/0196333	A1	8/2008	Tyler		

* cited by examiner

Primary Examiner—Holly H Baynham

(74) *Attorney, Agent, or Firm*—QuickPatents, Inc.; Kevin Prince

(57) **CLAIM**

What is claimed is the ornamental design for a metal bracket for supporting plywood in windows, as shown and described.

DESCRIPTION

FIG. 1 is a perspective view of a metal bracket for supporting plywood in windows, showing the new design;

FIG. 2 is a front elevational view thereof;

FIG. 3 is a rear elevational view thereof;

FIG. 4 is a left-side elevational view thereof;

FIG. 5 is a right-side elevational view thereof;

FIG. 6 is a top plan view thereof, the bottom plan view being a mirror image thereof;

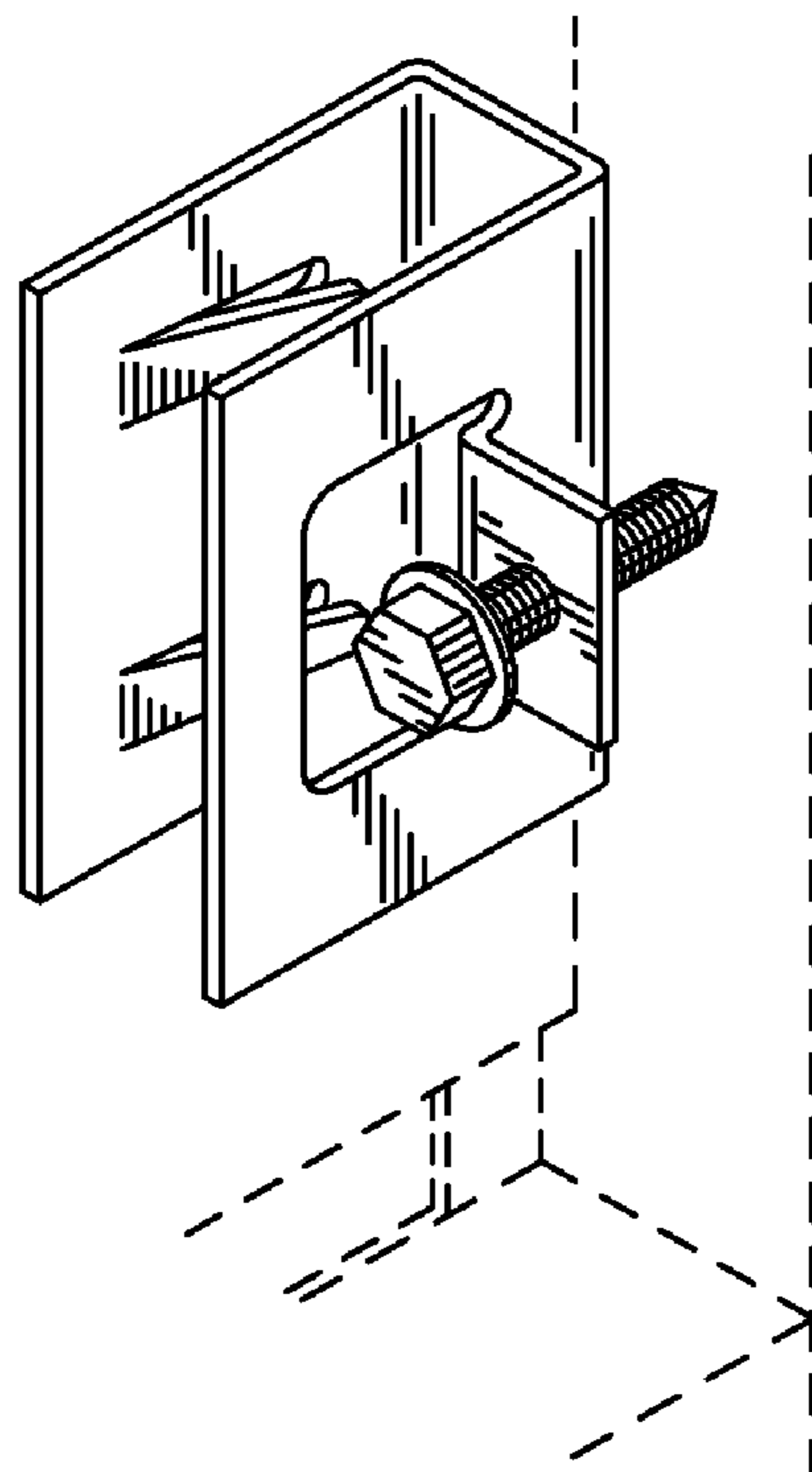
FIG. 7 is a front elevational view of an alternate embodiment thereof;

FIG. 8 is a rear elevational view thereof; and,

FIG. 9 is a top plan view thereof, the bottom plan view being a mirror image thereof.

The broken lines showing a plywood sheet and a window frame in FIGS. 1 and 7 are included for the purpose of illustrating the invention in use, and form no part of the claimed design.

1 Claim, 2 Drawing Sheets



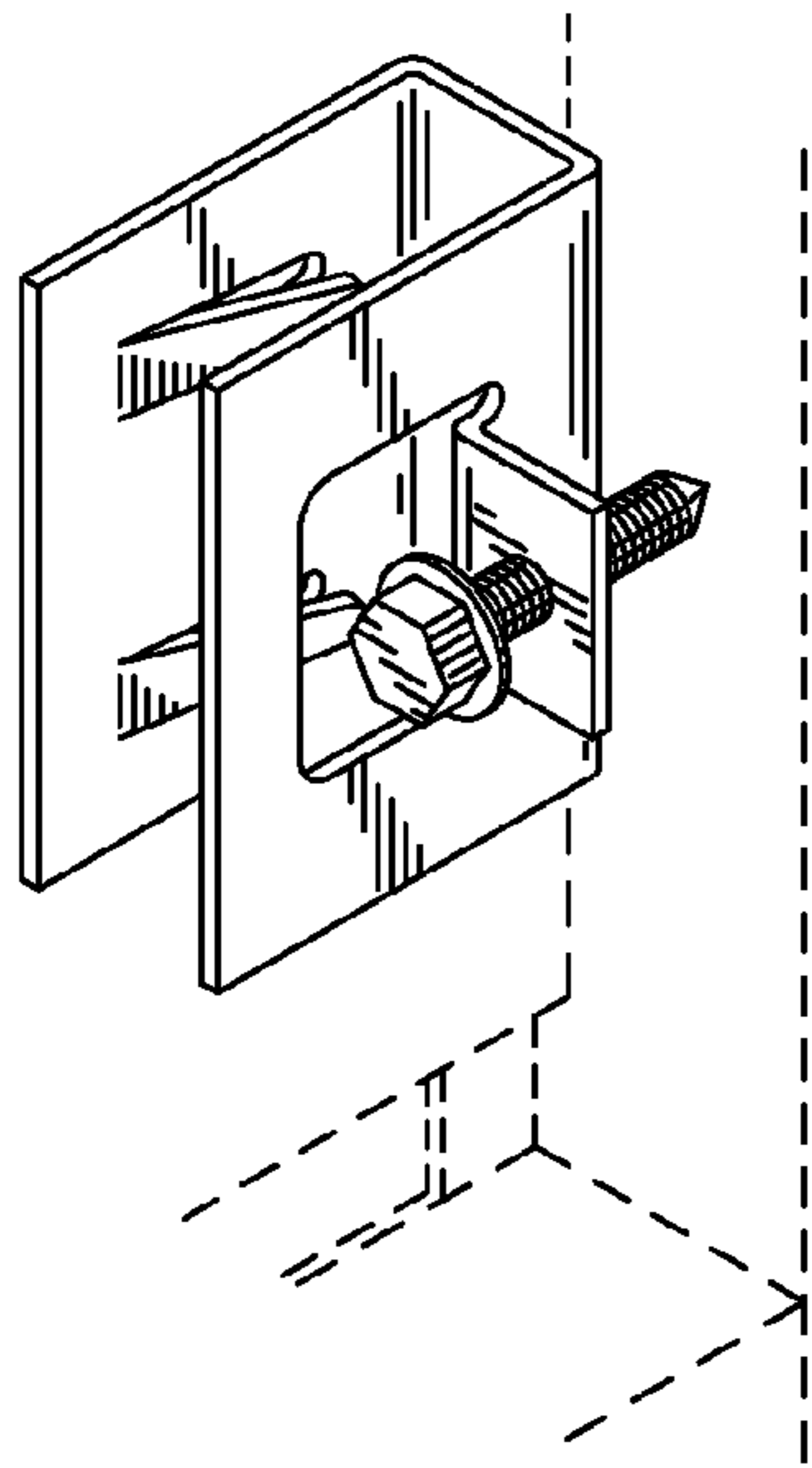


FIG. 1

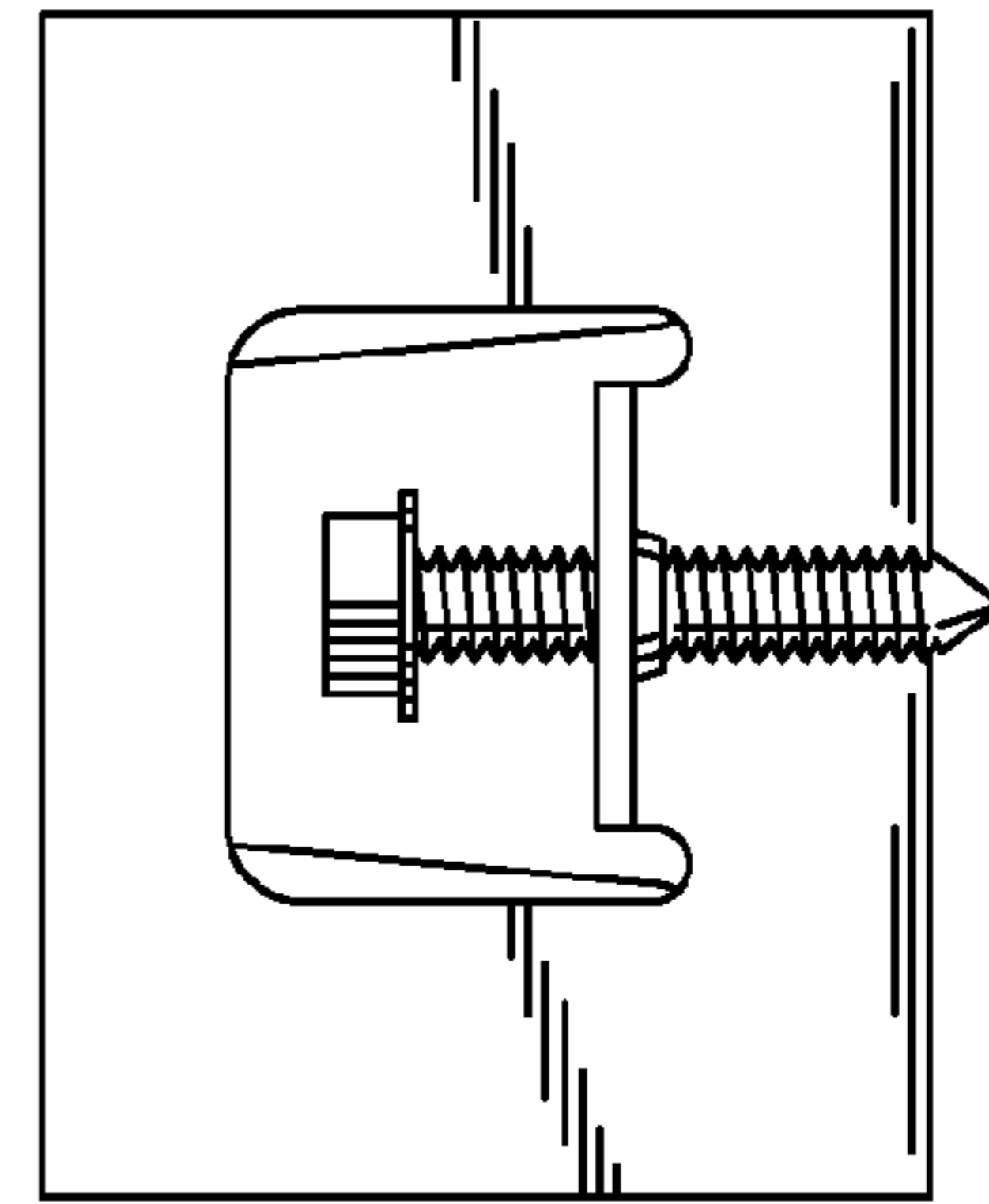


FIG. 4

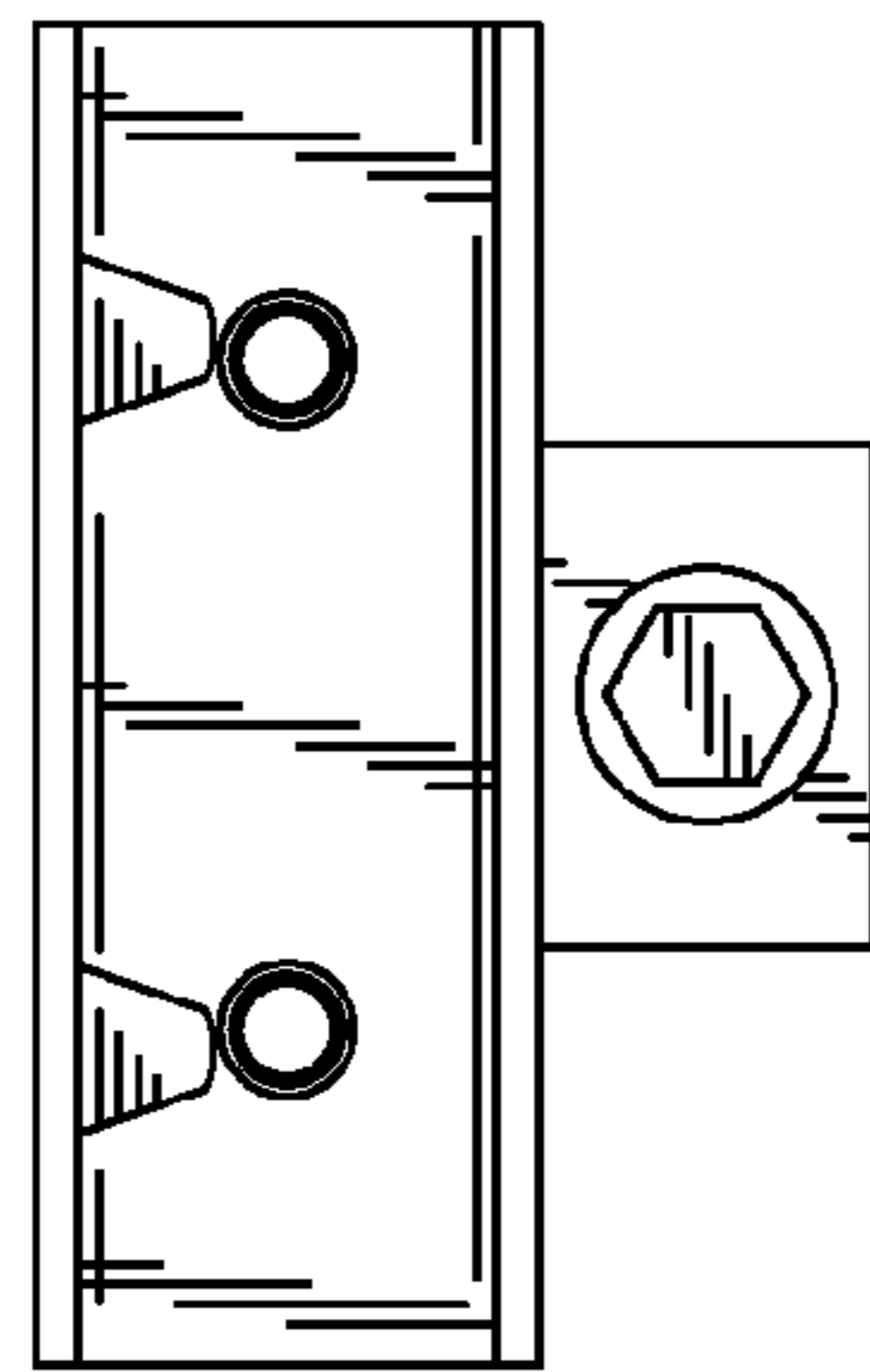


FIG. 2

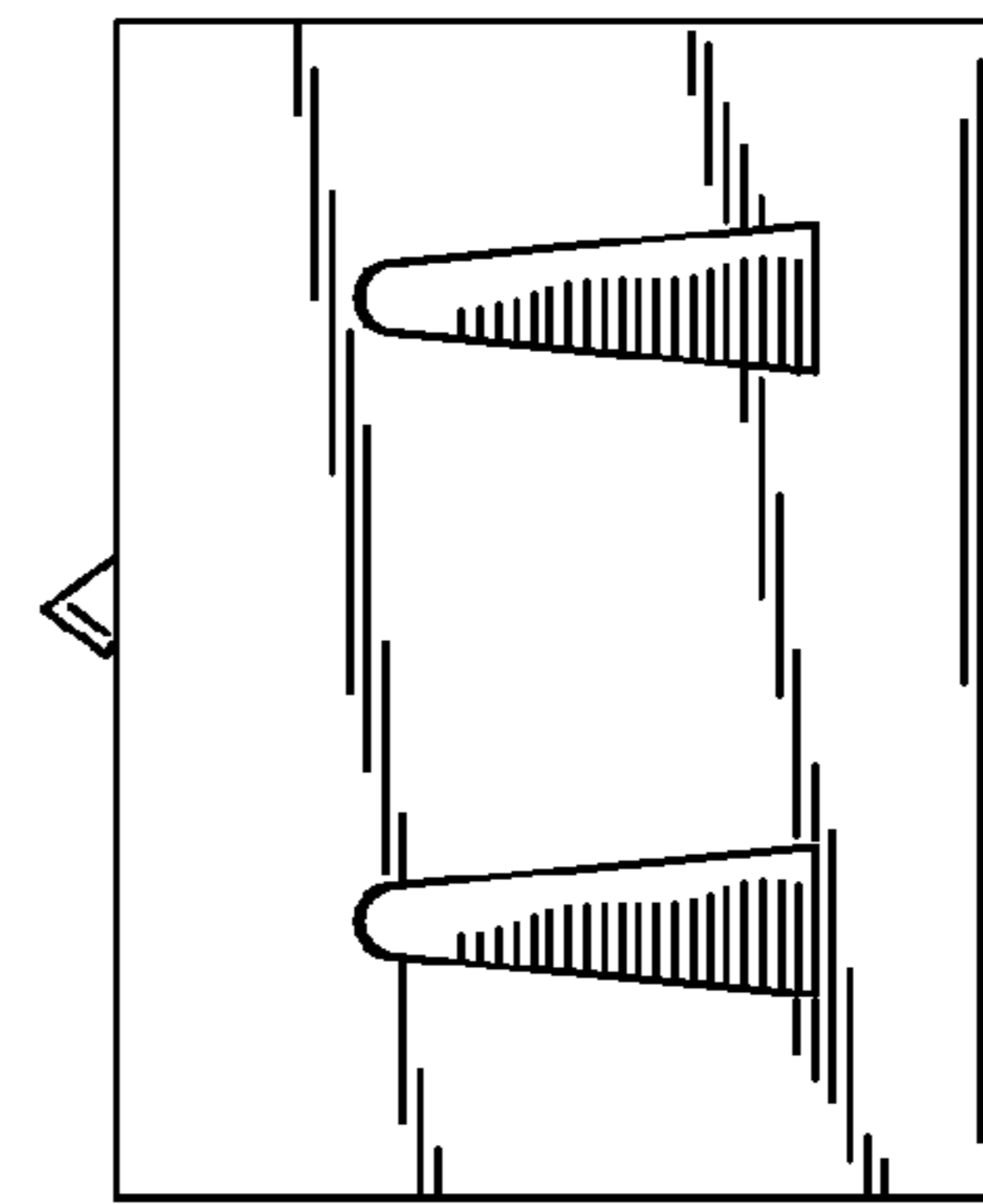


FIG. 5

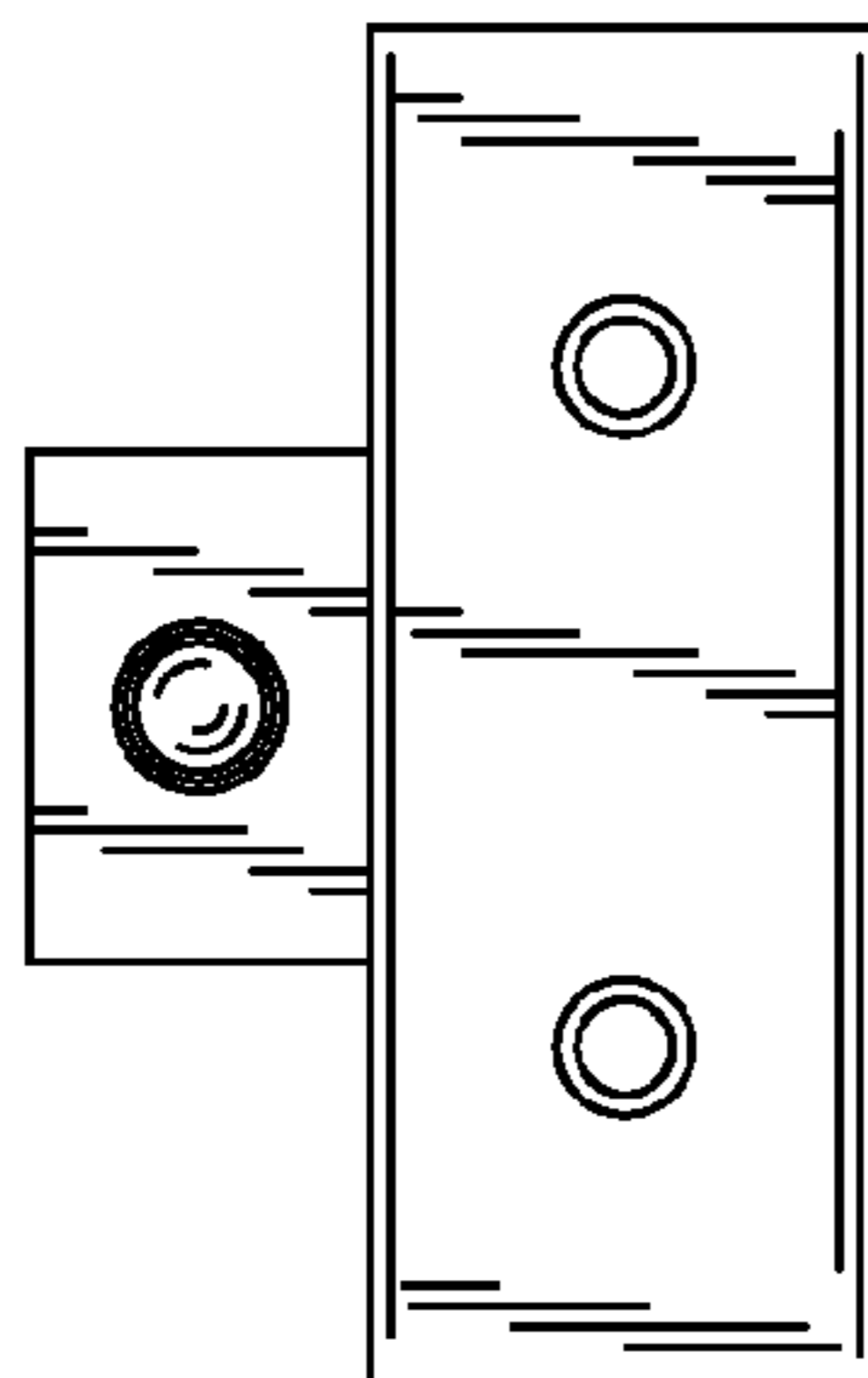


FIG. 3

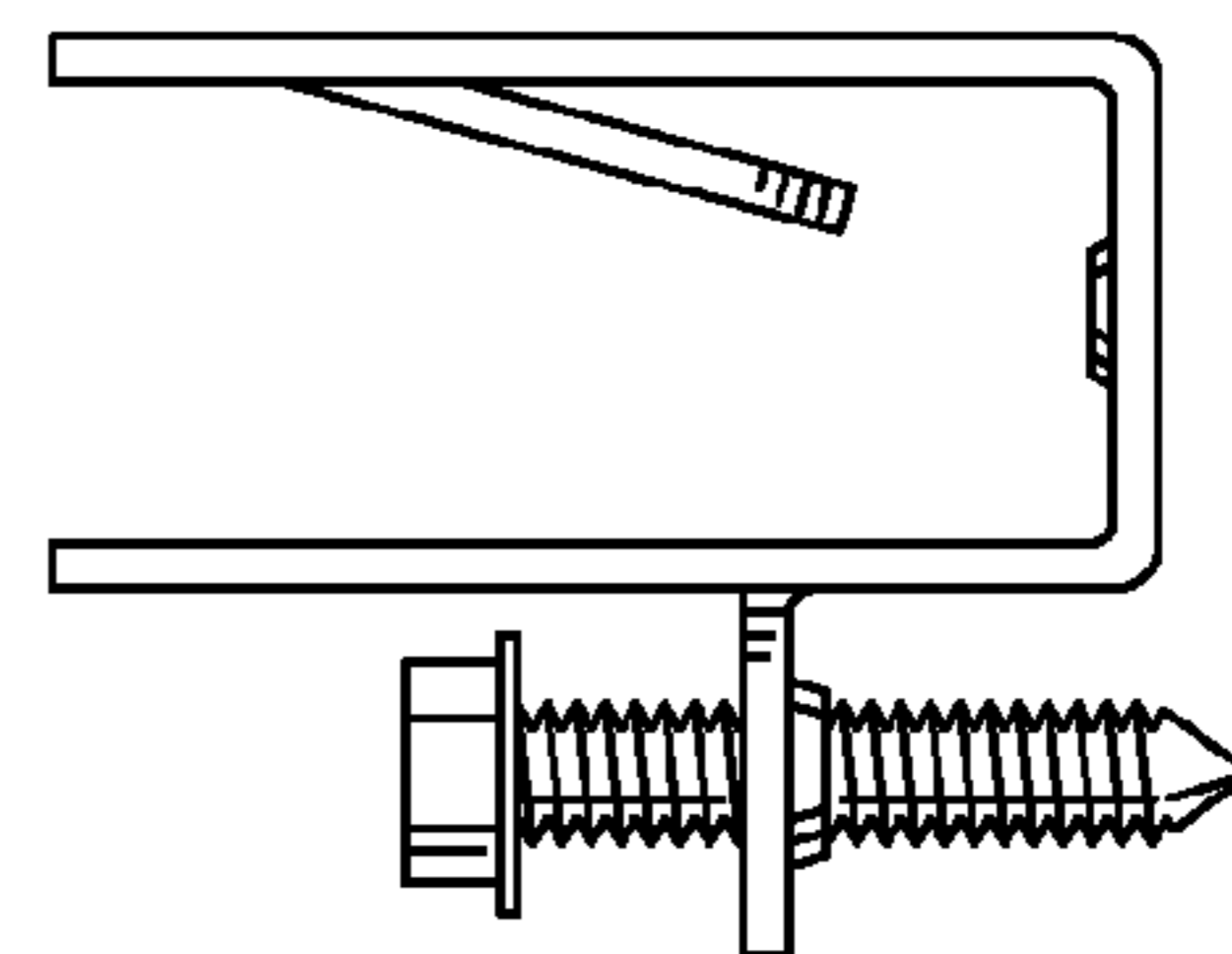


FIG. 6

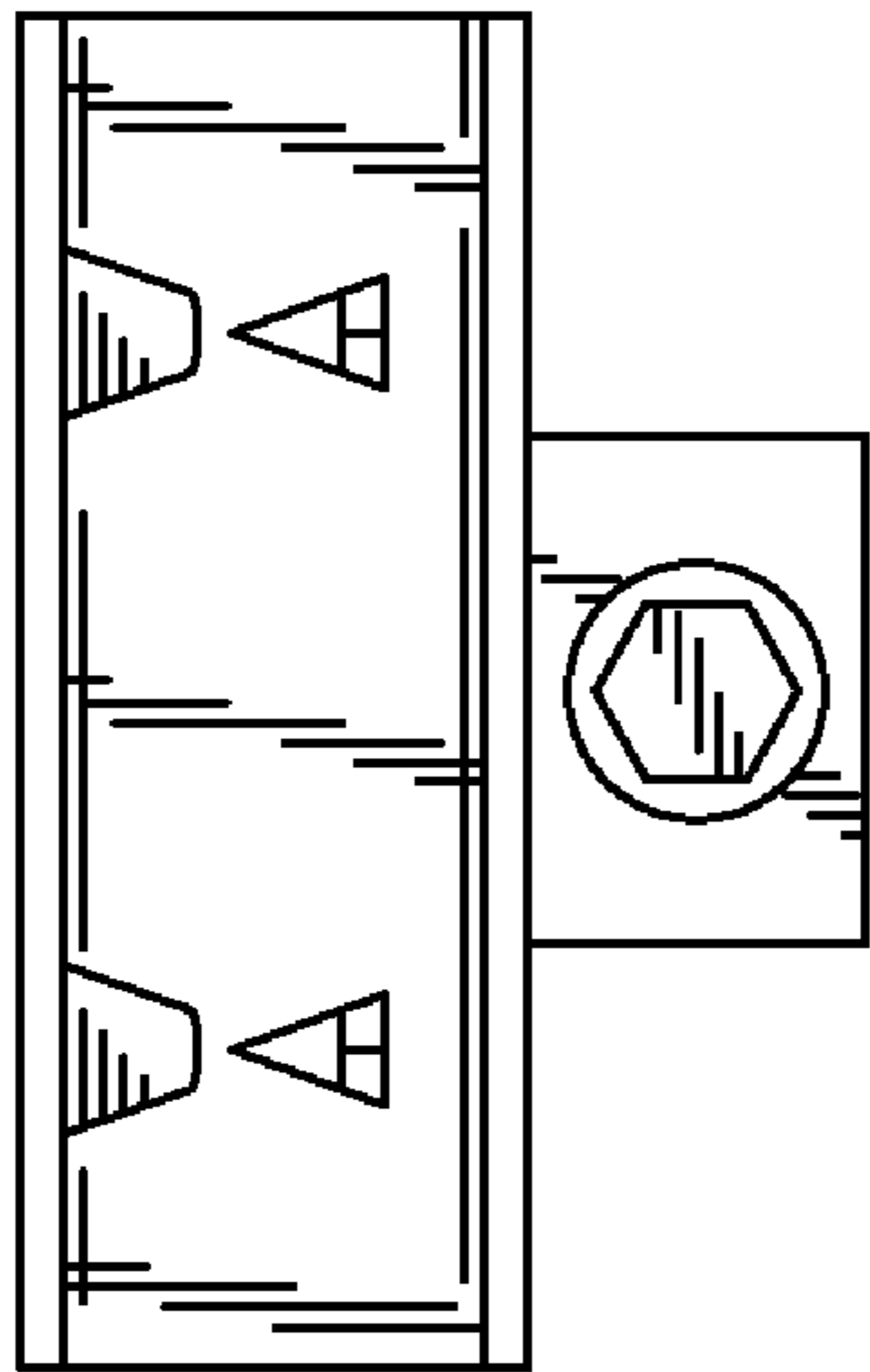


FIG. 7

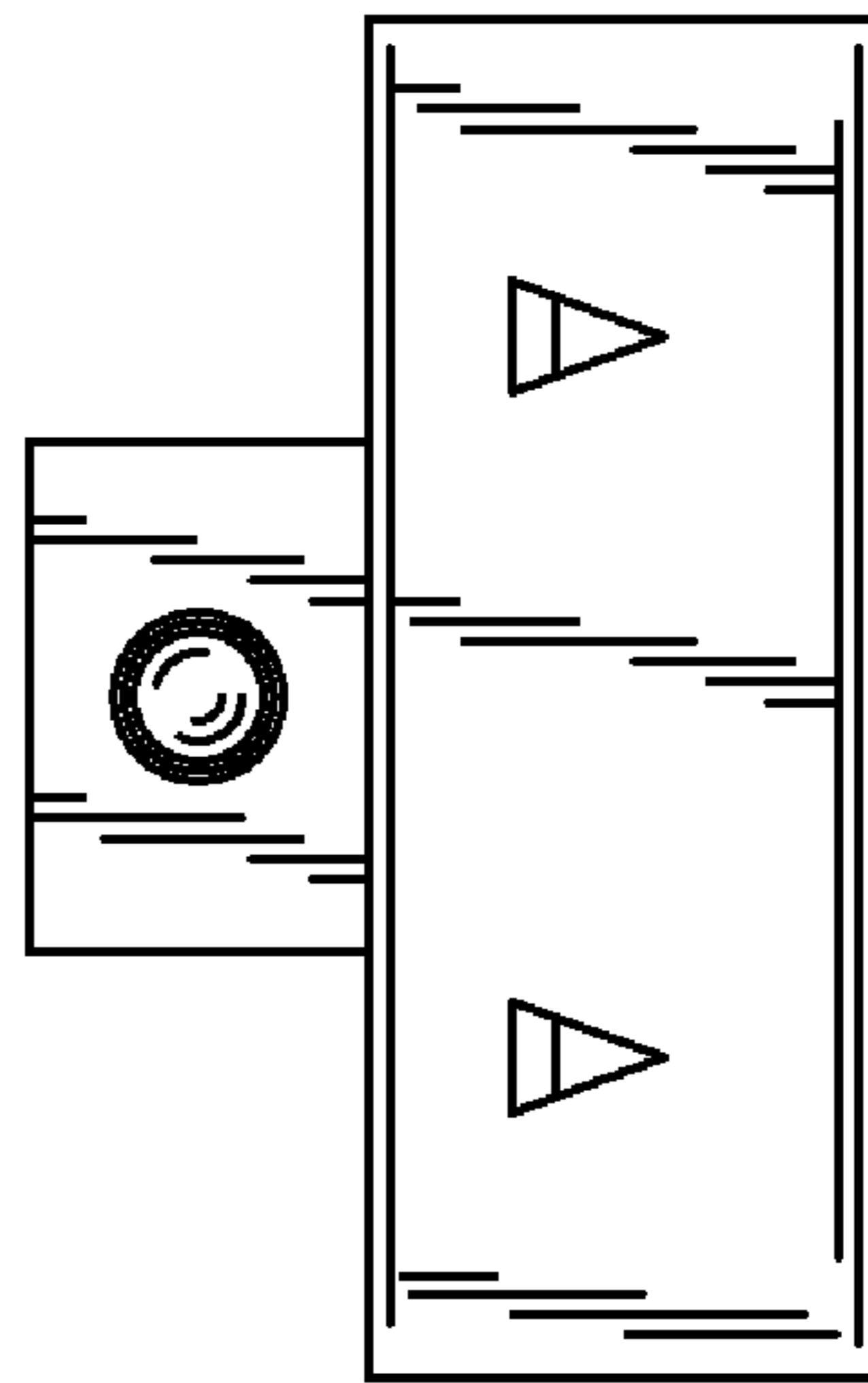


FIG. 8

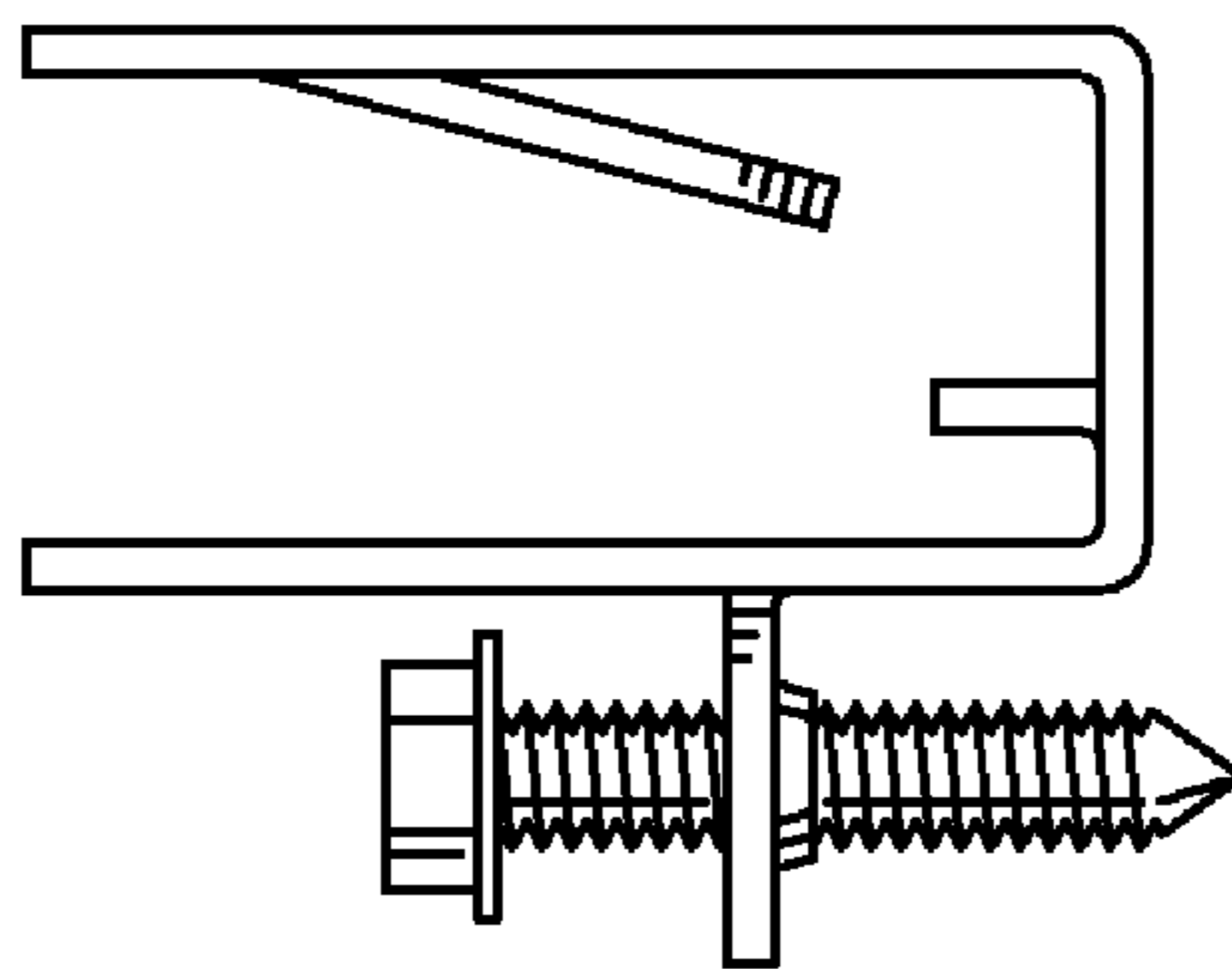


FIG. 9