

US00D628458S

(12) **United States Design Patent**
Yamaguchi

(10) **Patent No.:** **US D628,458 S**

(45) **Date of Patent:** **** Dec. 7, 2010**

(54) **CATCHER FOR A DOOR CLOSER**

D491,787 S * 6/2004 Homberg D8/330
D493,352 S * 7/2004 Homberg D8/330

(75) Inventor: **Koushi Yamaguchi**, Tokyo (JP)

* cited by examiner

(73) Assignee: **Sugatsune Kogyo Co., Ltd.**, Tokyo (JP)

Primary Examiner—Prabhakar Deshmukh

(**) Term: **14 Years**

(74) *Attorney, Agent, or Firm*—Bacon & Thomas, PLLC

(21) Appl. No.: **29/347,723**

(57) **CLAIM**

(22) Filed: **Apr. 22, 2010**

The ornamental design for a catcher for a door closer, as shown and described.

(30) **Foreign Application Priority Data**

Oct. 30, 2009 (JP) 2009-025601

DESCRIPTION

(51) **LOC (9) Cl.** **08-07**

FIG. 1 is a front elevational view of a catcher for a door closer showing my new design;

(52) **U.S. Cl.** **D8/330**

FIG. 2 is a top plan view thereof;

(58) **Field of Classification Search** D8/330,

FIG. 3 is a bottom plan view thereof;

D8/343; 16/49–51, 59, 62, 71, 82, DIG. 7,
16/79; 292/201, 144, 92, 339, DIG. 19

FIG. 4 is a right side elevational view thereof;

See application file for complete search history.

FIG. 5 is a left side elevational view thereof;

(56) **References Cited**

FIG. 6 is a sectional view taken along line 6—6 of FIG. 2;

U.S. PATENT DOCUMENTS

FIG. 7 is a sectional view taken along line 7—7 of FIG. 2;

D167,284 S * 7/1952 Schlage D8/330

FIG. 8 is a sectional view taken along line 8—8 of FIG. 2;

4,086,681 A * 5/1978 Nakanishi 16/49

FIG. 9 is a front elevational view thereof, with the protruded portion shown in retracted position; and,

4,231,134 A * 11/1980 Schoker 16/49

FIG. 10 is a perspective view thereof, shown the article in its environmental use.

4,256,412 A * 3/1981 Tybus et al. 403/267

The broken lines showing an environment in FIG. 10 is for illustrative purpose only and forms no part of the claimed design.

D304,291 S * 10/1989 Weinerman et al. D8/331

5,268,306 A * 12/1993 Berger et al. 436/527

5,511,284 A * 4/1996 Current 16/82

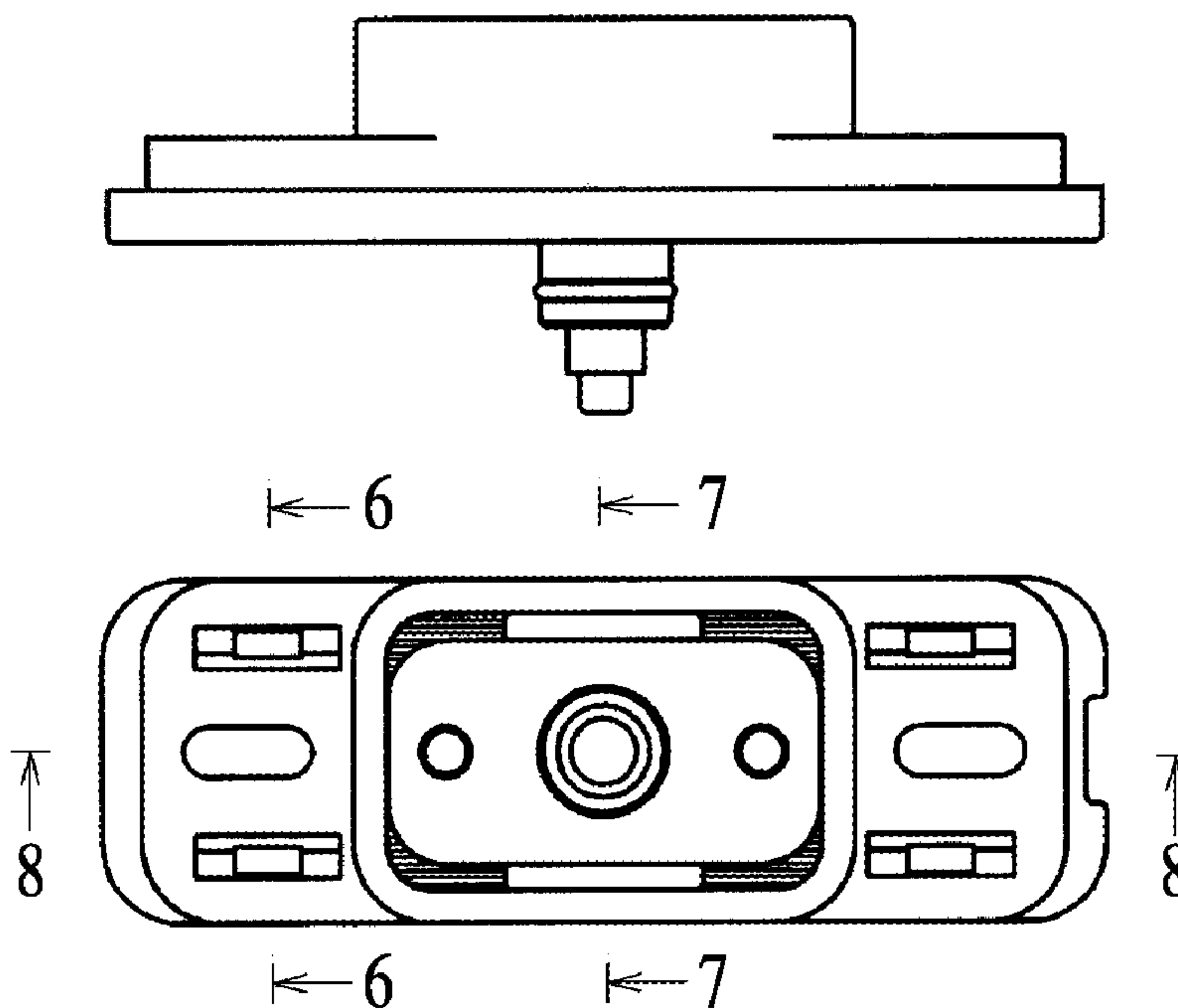
6,003,911 A * 12/1999 Sowash 292/343

D429,992 S * 8/2000 Ginzel et al. D8/330

6,421,876 B1 * 7/2002 Ginzel et al. 16/79

6,591,551 B2 * 7/2003 Winkler 49/339

1 Claim, 3 Drawing Sheets



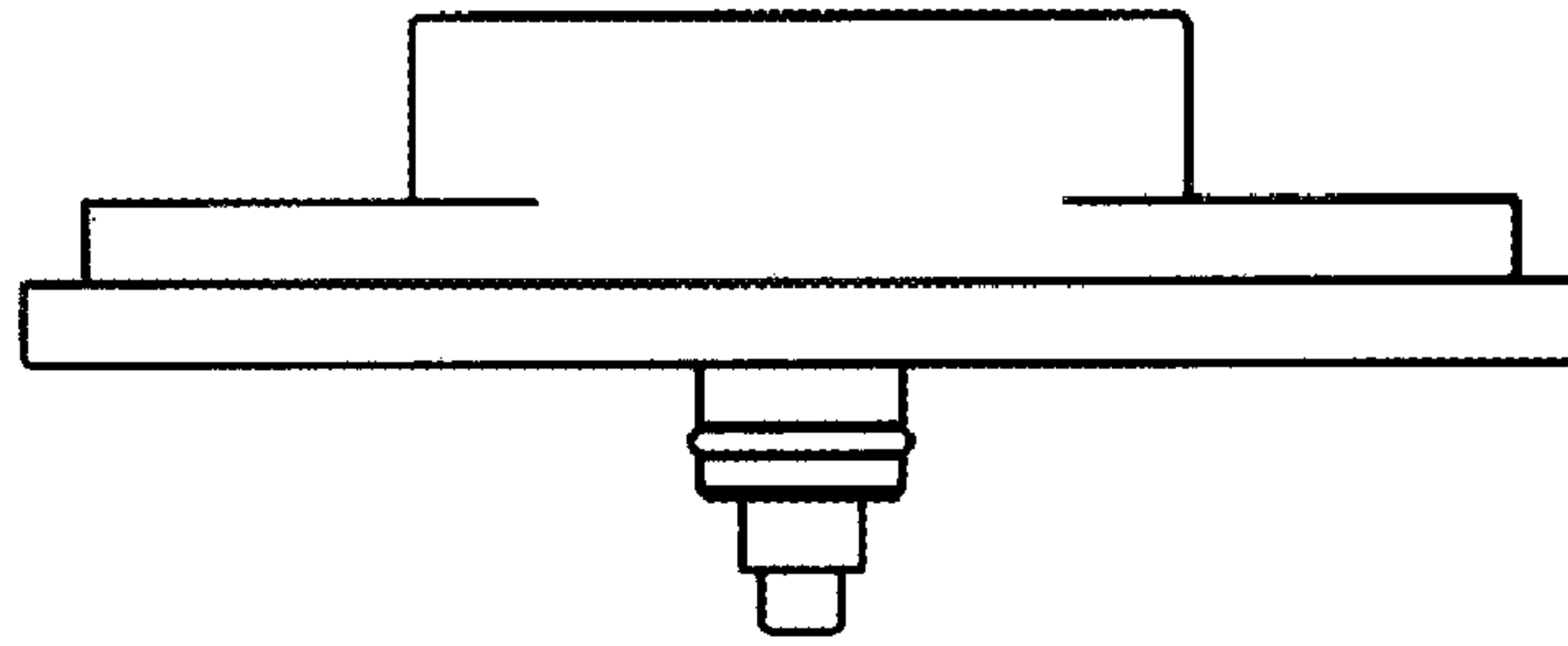


FIG. 1

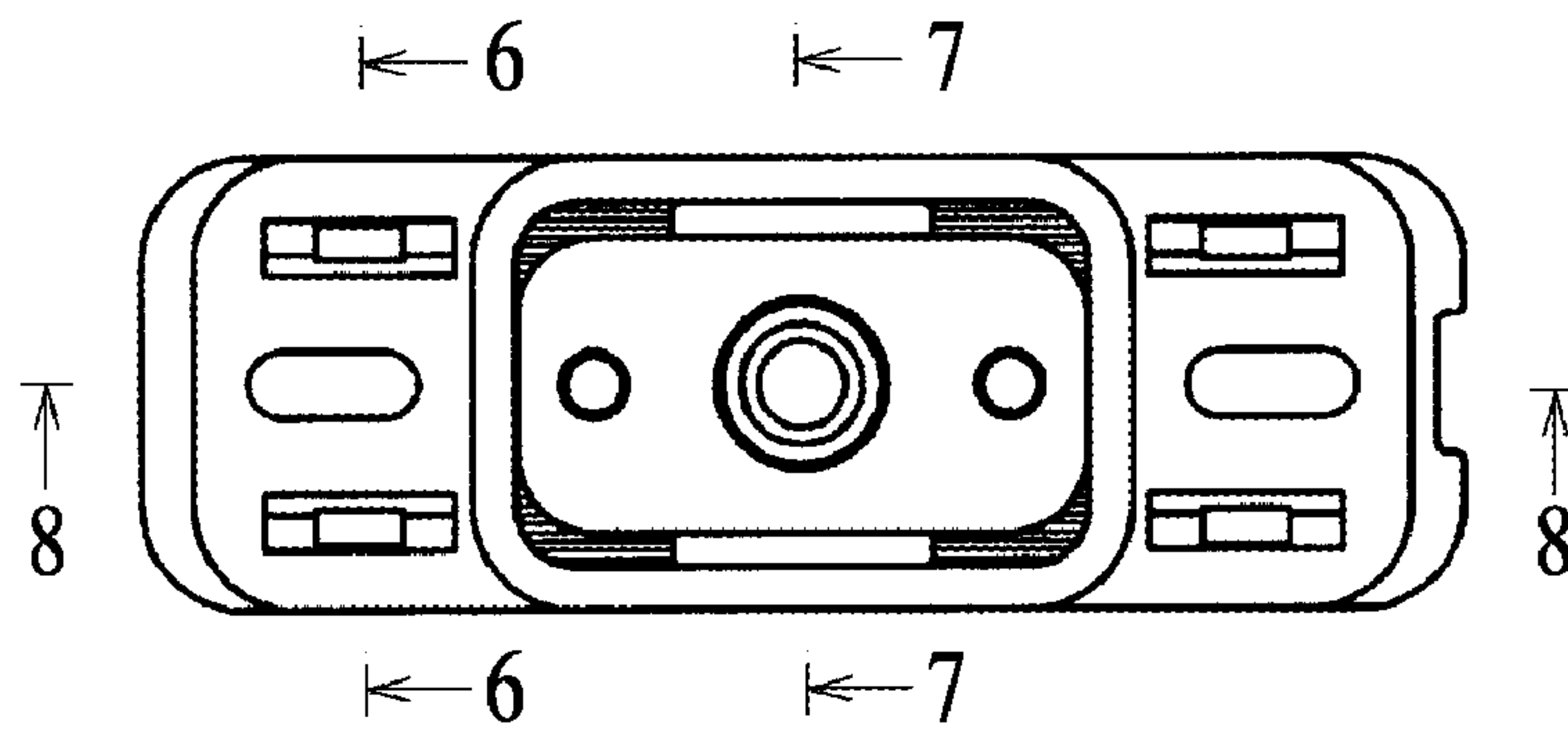


FIG. 2

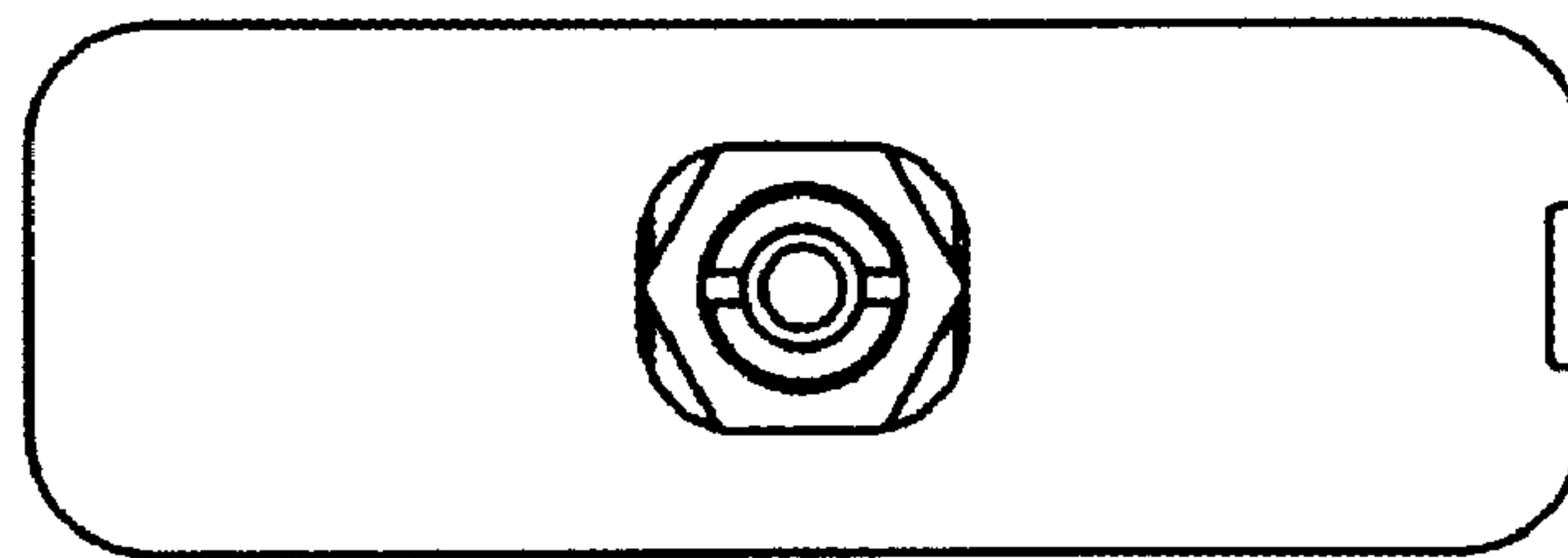


FIG. 3

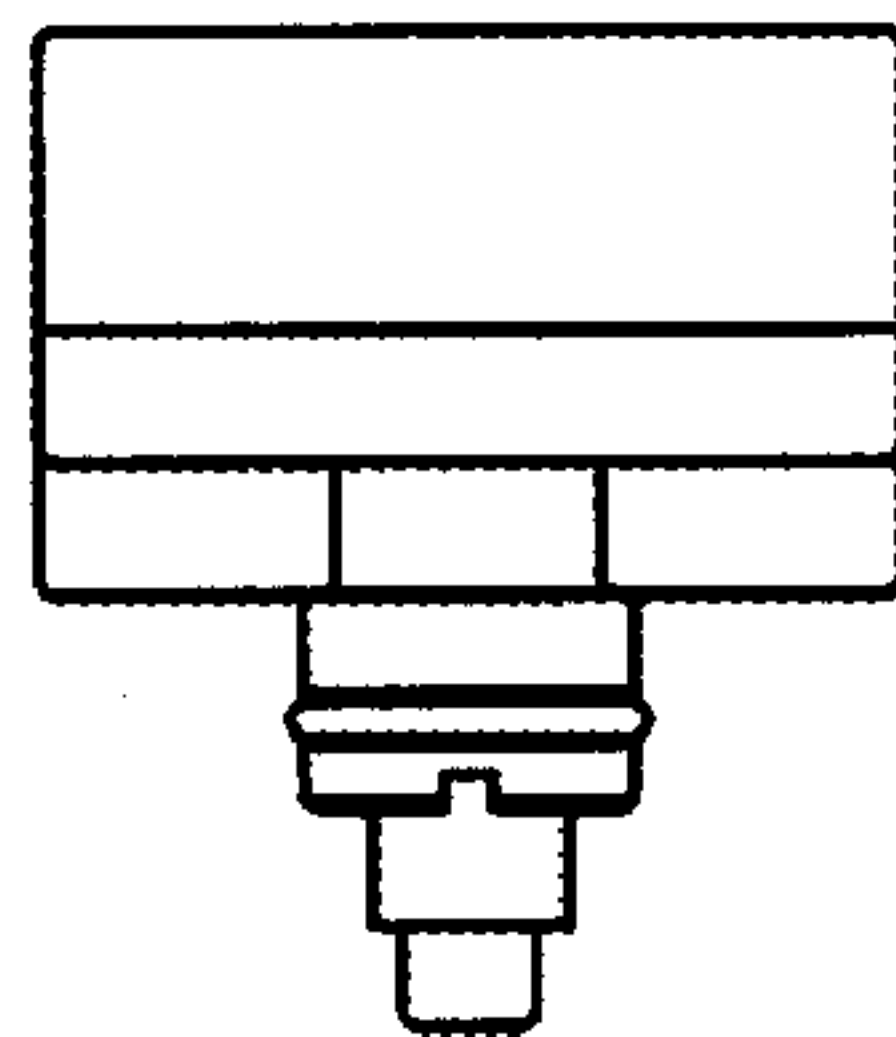


FIG. 4

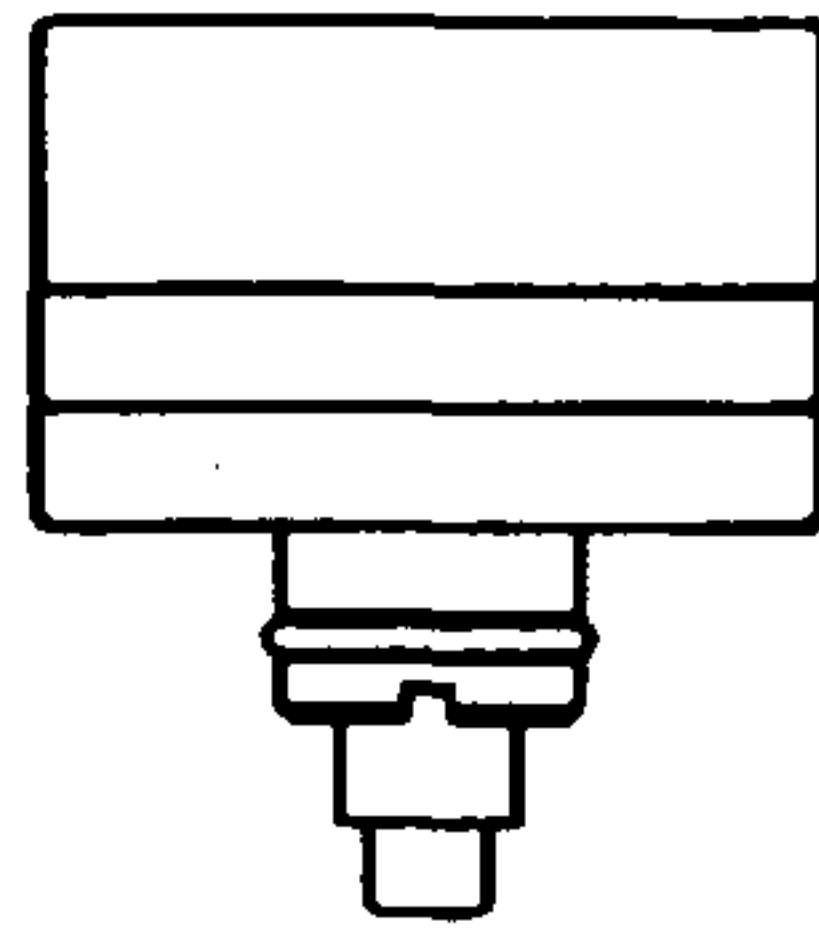


FIG. 5



FIG. 6

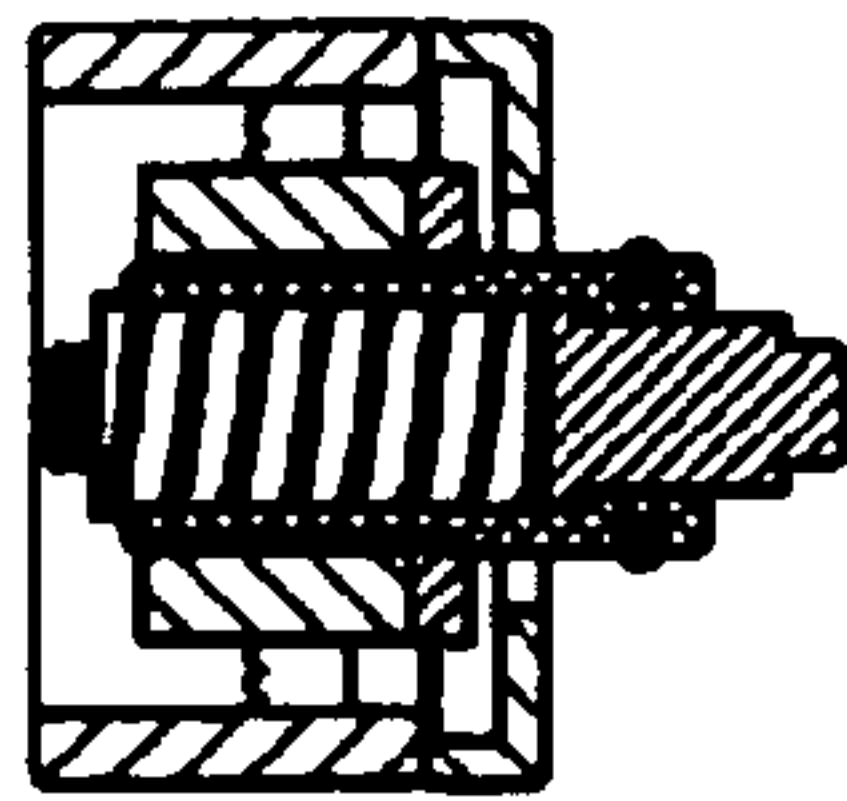


FIG. 7

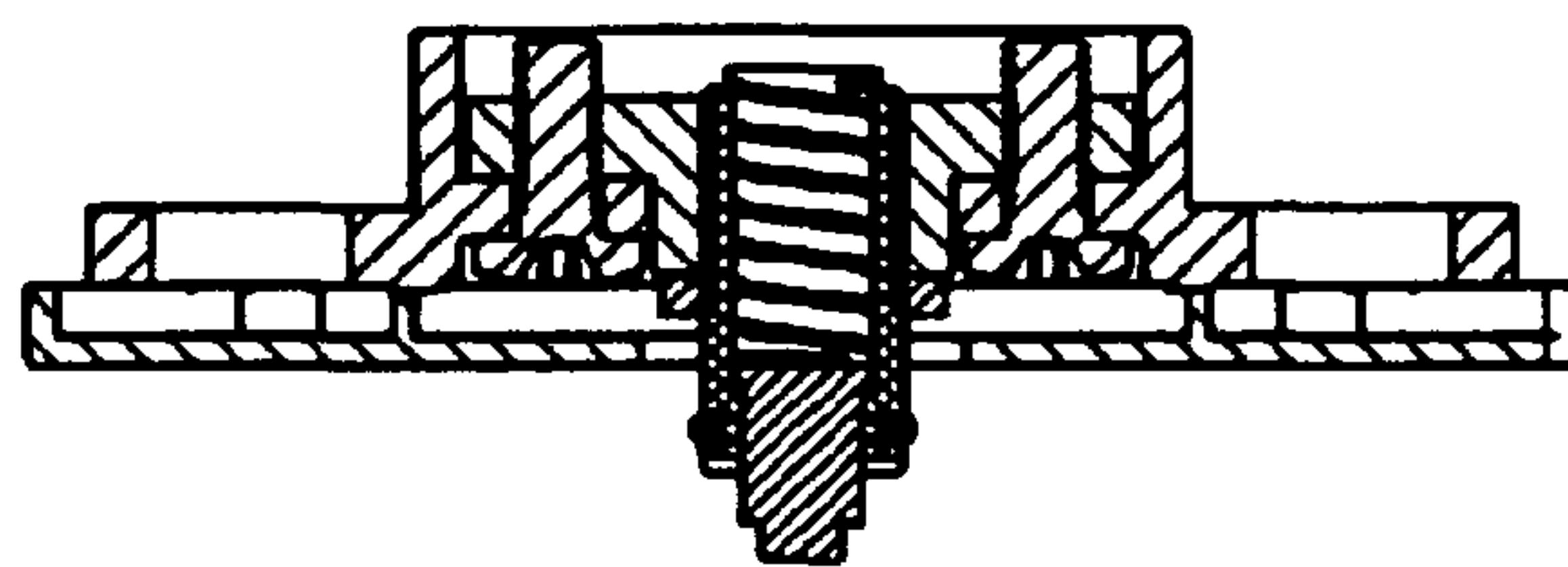


FIG. 8

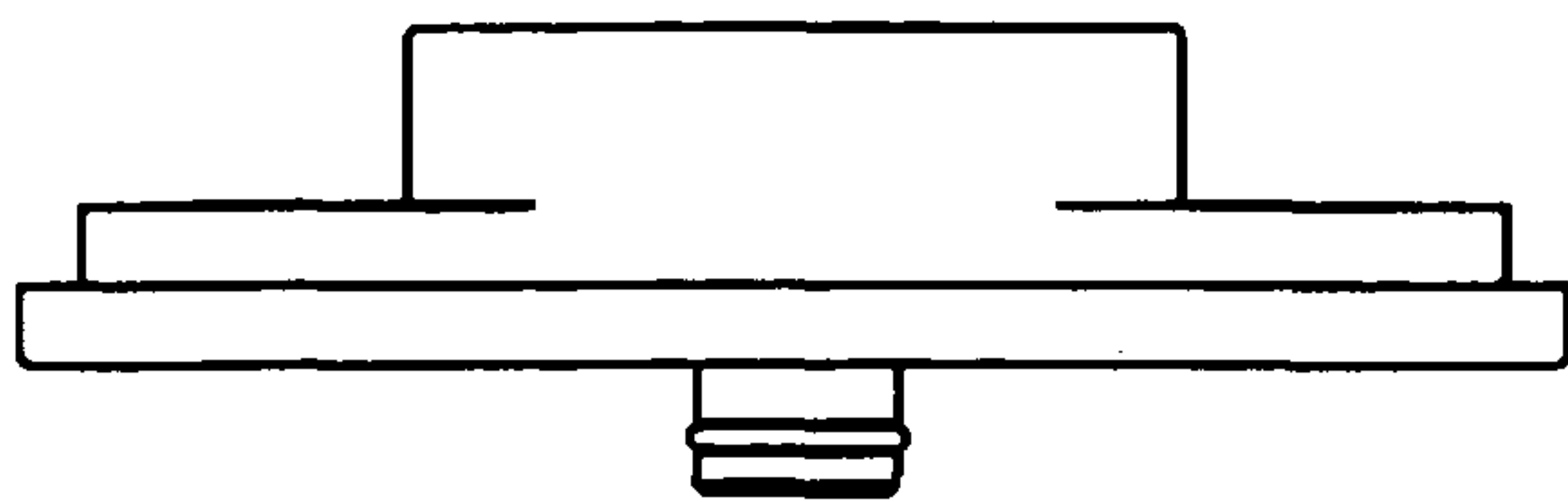


FIG. 9

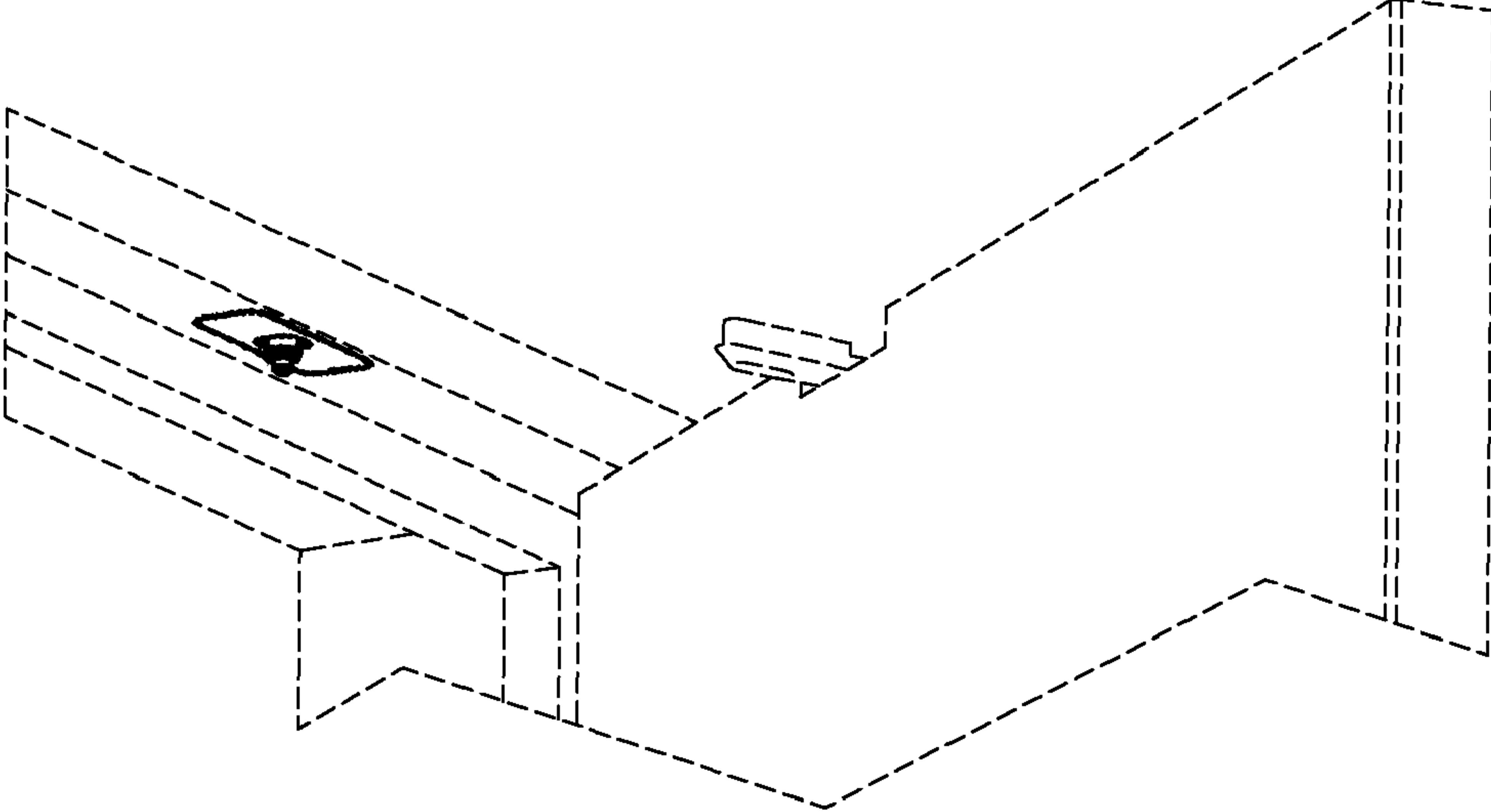


FIG. 10