



US00D628455S

(12) **United States Design Patent**
Misaki

(10) **Patent No.:** **US D628,455 S**
(45) **Date of Patent:** **** Dec. 7, 2010**

(54) **PORTABLE ELECTRIC DRILL**

D588,430 S * 3/2009 Misaki D8/68
D609,543 S * 2/2010 Misaki et al. D8/68

(75) Inventor: **Shingo Misaki**, Anjo (JP)

* cited by examiner

(73) Assignee: **Makita Corporation**, Anjo-shi (JP)

Primary Examiner—Antoine D Davis

(**) Term: **14 Years**

(74) *Attorney, Agent, or Firm*—Oliff & Berridge, PLC

(21) Appl. No.: **29/356,621**

(57) **CLAIM**

(22) Filed: **Mar. 1, 2010**

The ornamental design for a portable electric drill, as shown and described.

(30) **Foreign Application Priority Data**

DESCRIPTION

Oct. 2, 2009 (JP) 2009-022961

FIG. 1 is a perspective view of a portable electric drill showing our new design;

(51) **LOC (9) Cl.** **08-04**

FIG. 2 is a front view thereof;

(52) **U.S. Cl.** **D8/68**

FIG. 3 is a rear view thereof;

(58) **Field of Classification Search** D8/14.1,
D8/61, 62, 63, 64, 65, 66, 67, 68, 69, 70;
81/57.11, 429, 454, 455, 456, 469, 489; 173/13,
173/104, 114, 168, 169, 170, 171, 178, 201,
173/211, 213, 217; 408/20, 124, 125, 234,
408/241 R; 451/358; 310/50; 227/8, 113,
227/114, 120, 130, 136, 142

FIG. 4 is a left-side view thereof;

FIG. 5 is a right-side view thereof;

FIG. 6 is a top plan view thereof;

FIG. 7 is a bottom plan view thereof; and,

FIG. 8 is a partially enlarged view thereof taken along lines 8—8 in FIG. 1.

See application file for complete search history.

The broken lines depict environmental subject matter only and form no part of the claimed design.

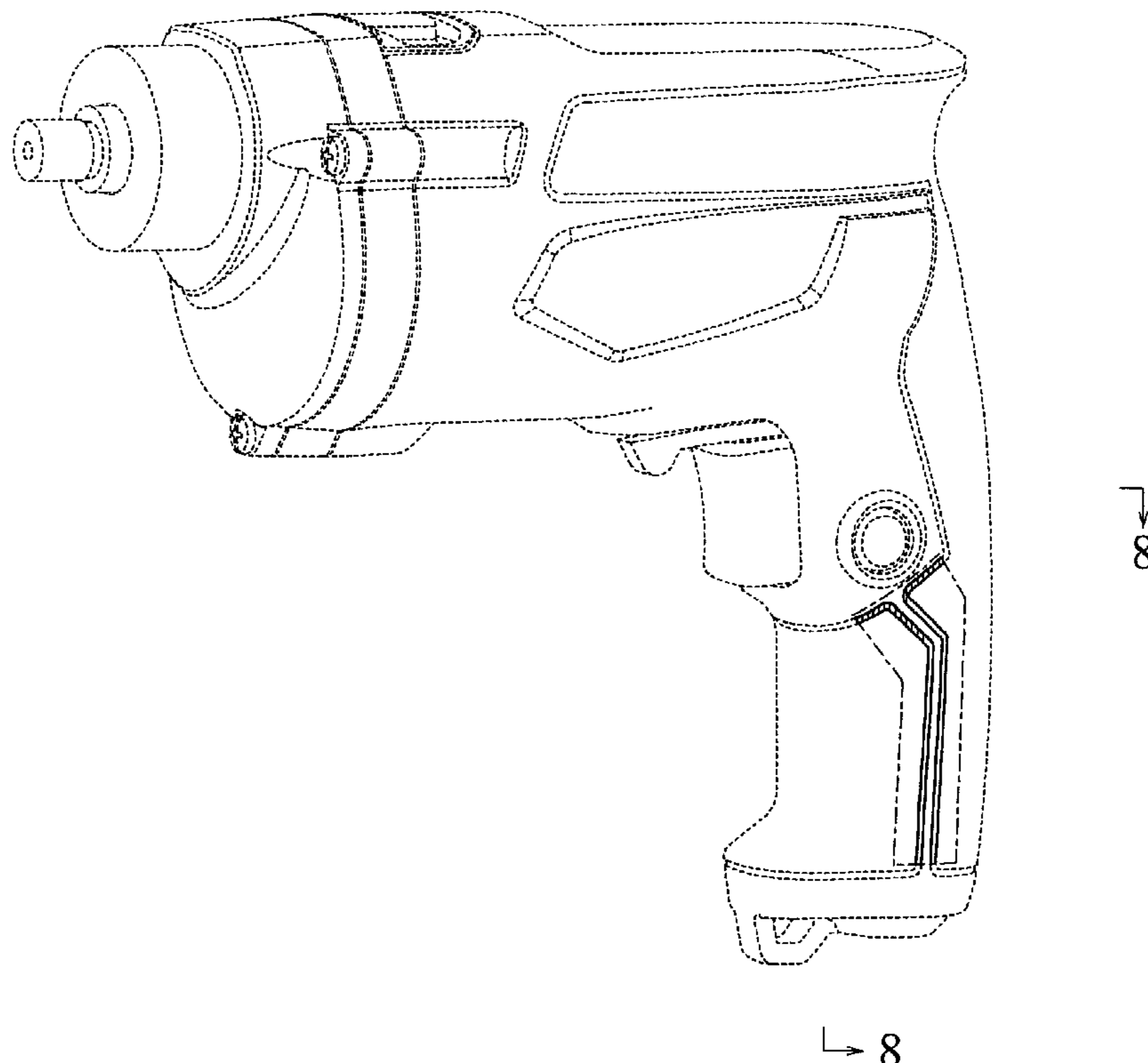
The dot-chain lines illustrate a border of the claimed subject matter and form no part of the claimed design.

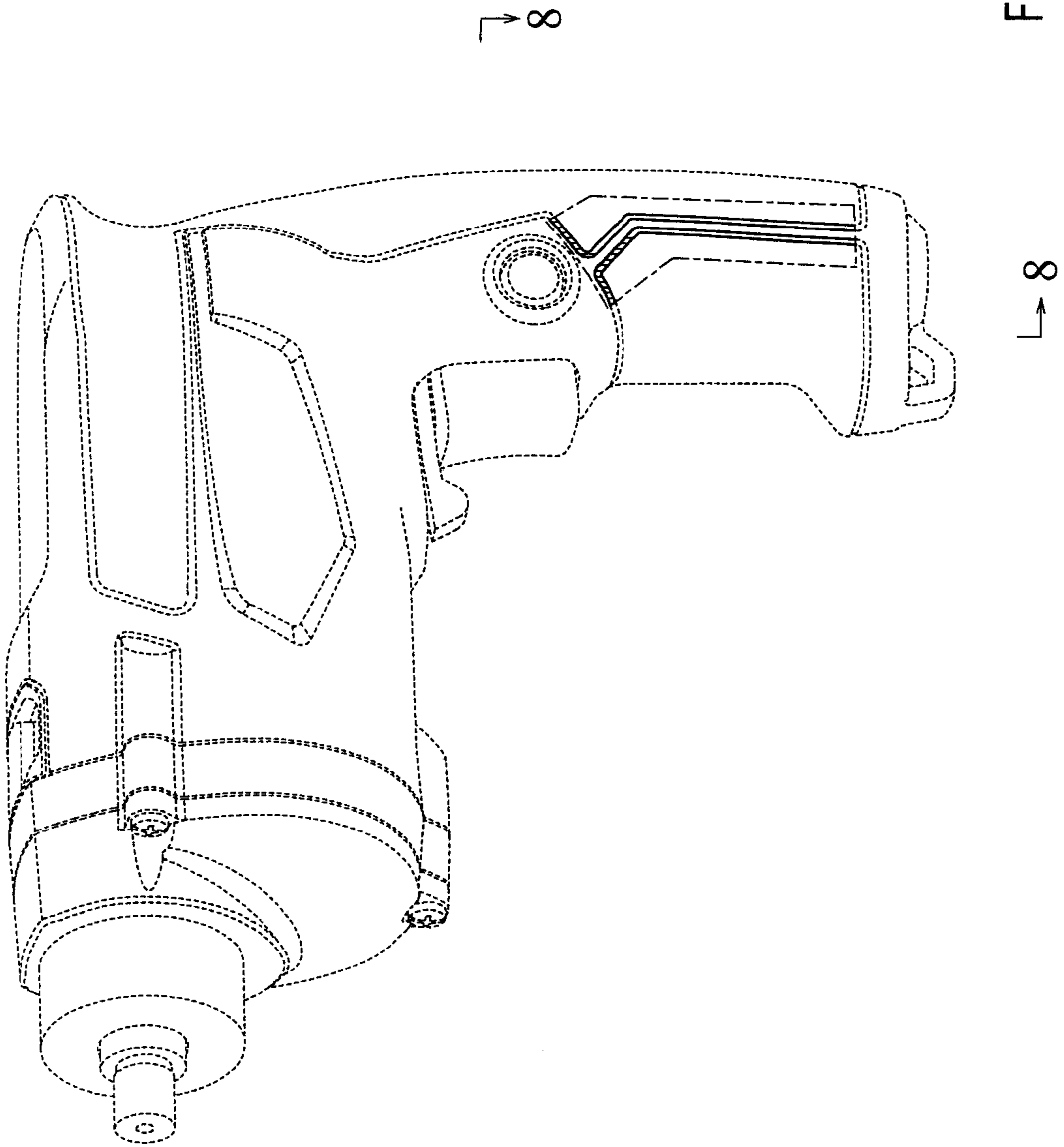
(56) **References Cited**

U.S. PATENT DOCUMENTS

D496,574 S 9/2004 Sakai et al.
D513,951 S * 1/2006 Chung et al. D8/68
D588,429 S * 3/2009 Misaki et al. D8/68

1 Claim, 6 Drawing Sheets





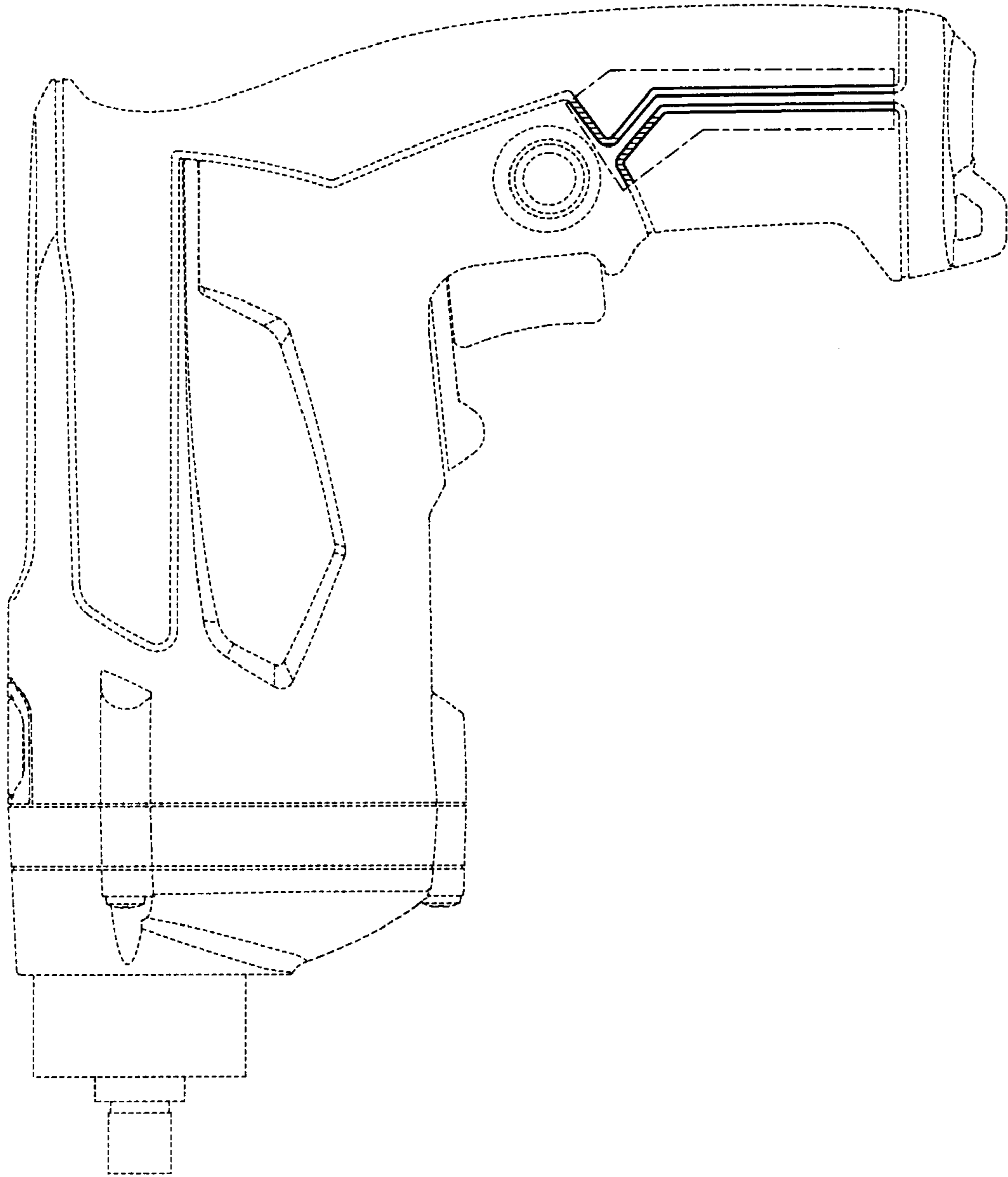


FIG. 2

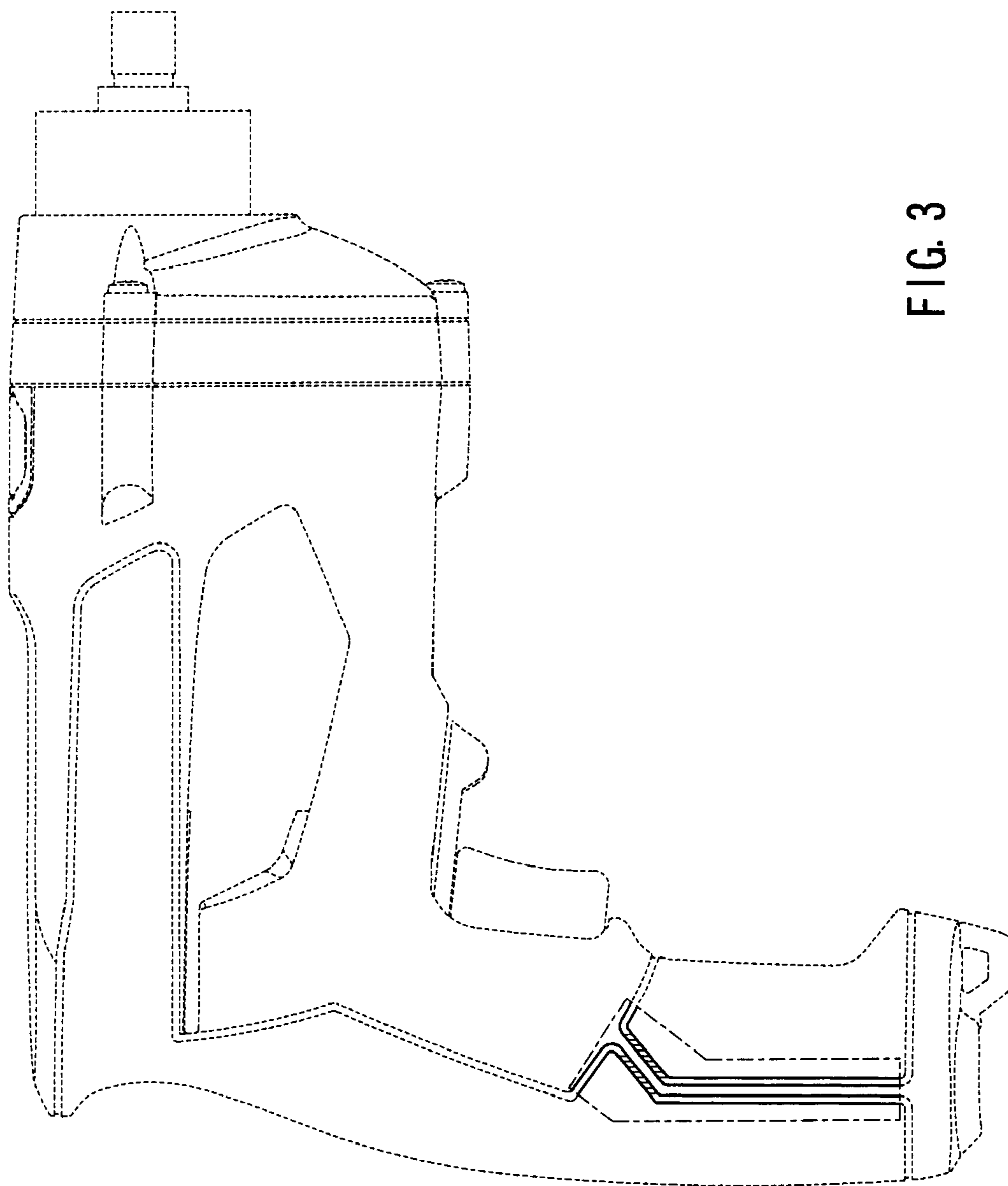


FIG. 3

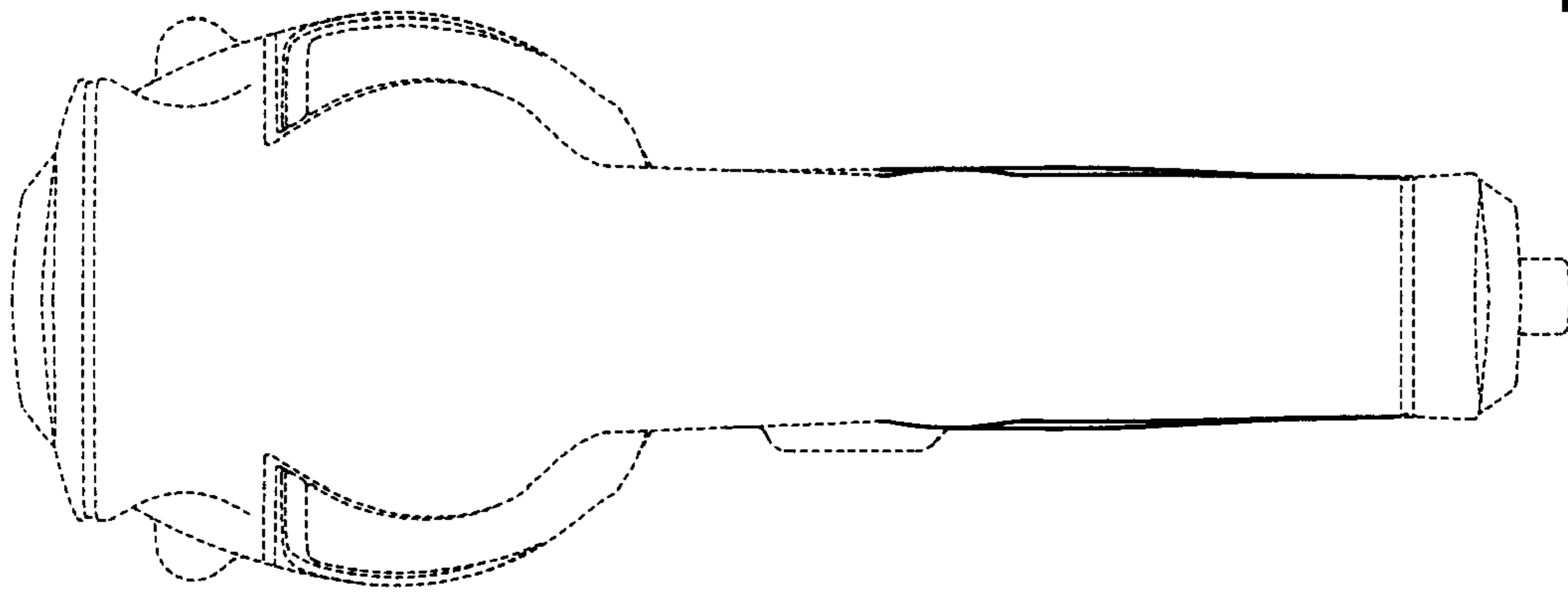


FIG. 5

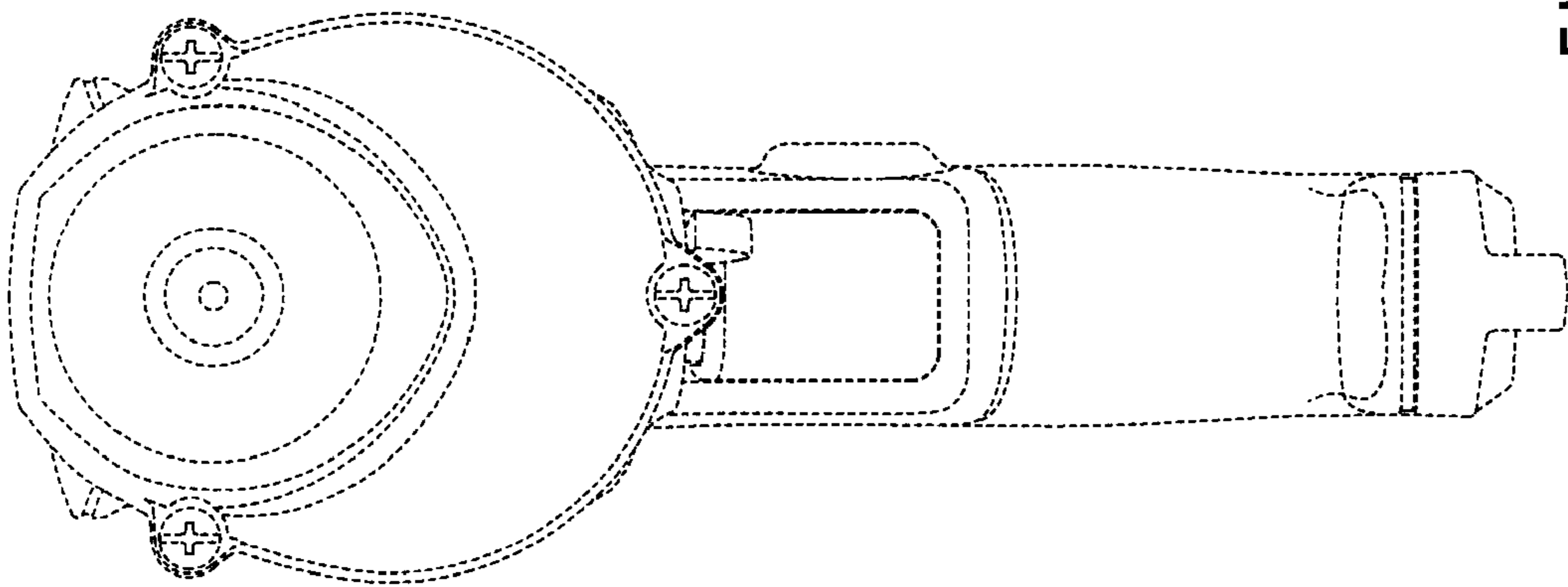


FIG. 4

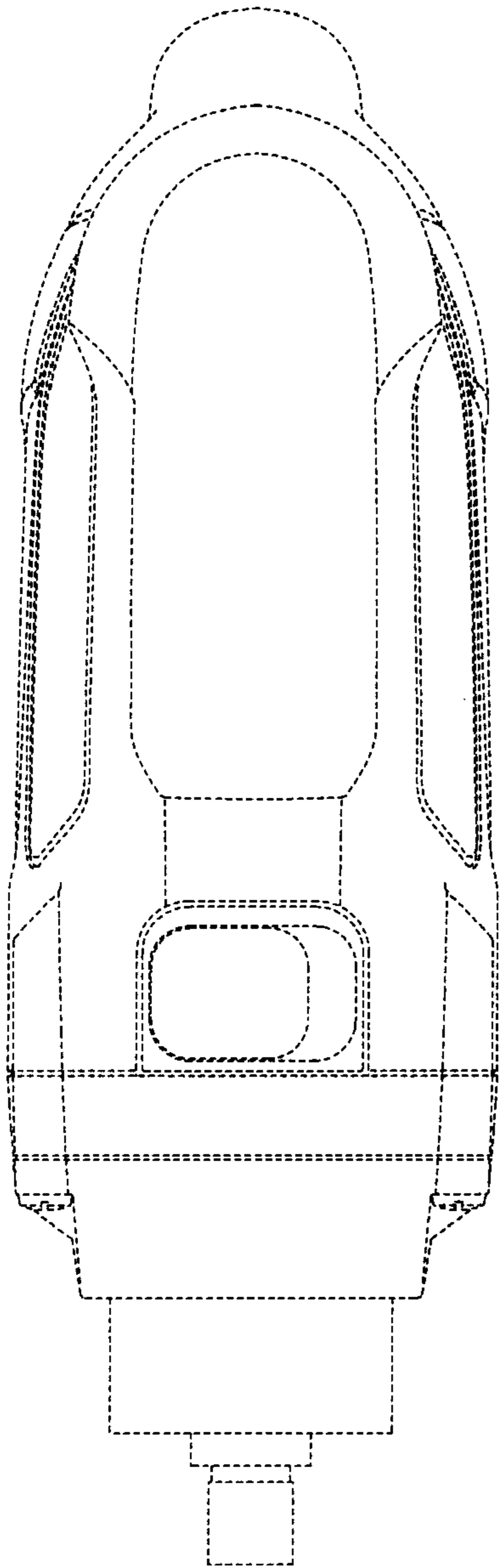


FIG. 6

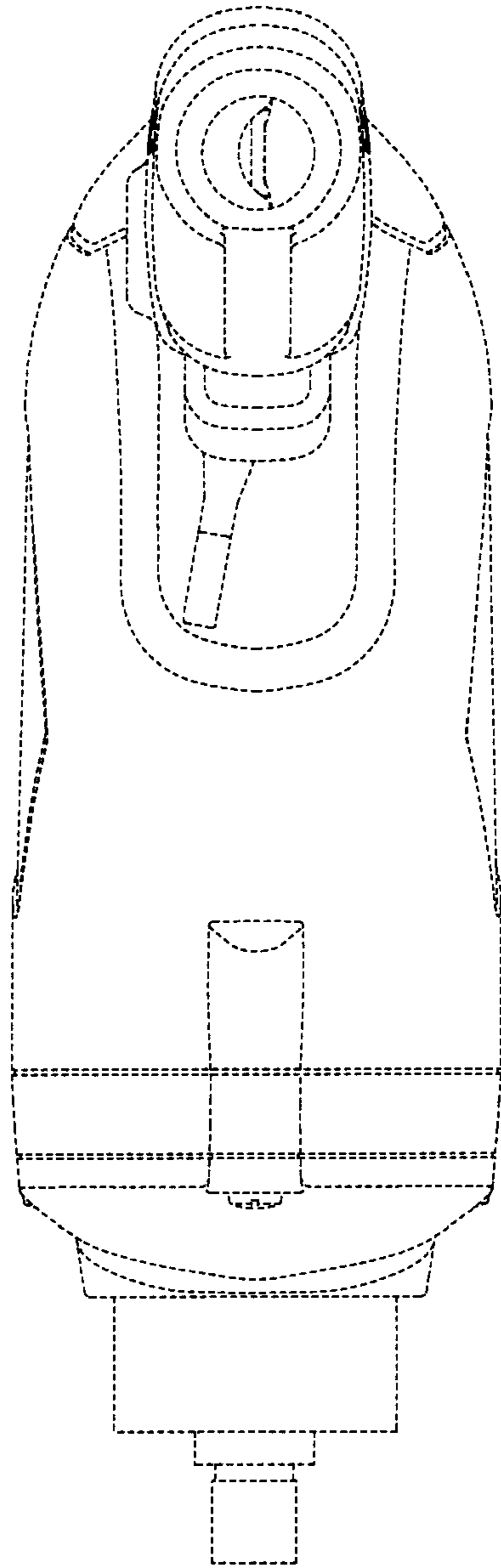


FIG. 7

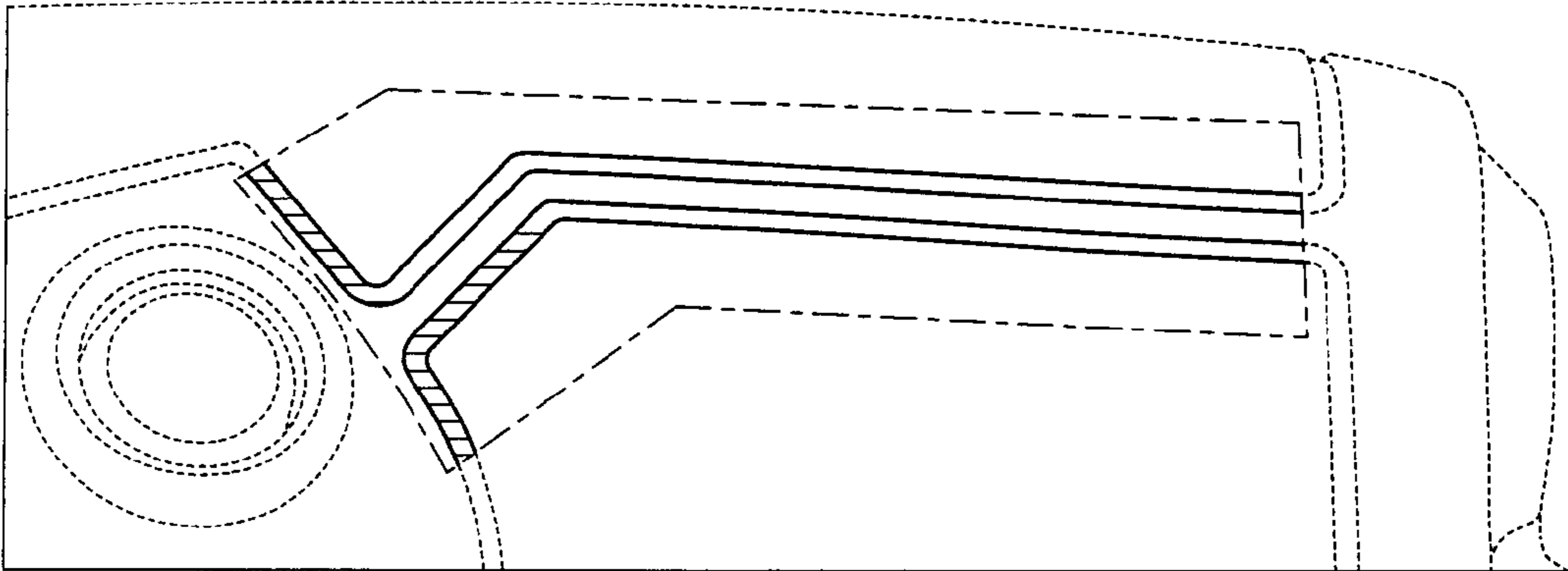


FIG. 8