



US00D628453S

(12) **United States Design Patent**  
**Green**

(10) **Patent No.:** **US D628,453 S**  
(45) **Date of Patent:** **\*\* Dec. 7, 2010**

(54) **UTILITY KNIFE BLADE**

(75) Inventor: **Matthew C. Green**, Amherst, MA (US)

(73) Assignee: **Irwin Industrial Tool Company**,  
Huntersville, NC (US)

(\*\*) Term: **14 Years**

(21) Appl. No.: **29/350,590**

(22) Filed: **Nov. 19, 2009**

**Related U.S. Application Data**

(60) Division of application No. 29/326,854, filed on Oct. 24, 2008, now Pat. No. Des. 608,168, which is a continuation-in-part of application No. 11/409,459, filed on Apr. 20, 2006.

(51) **LOC (9) Cl.** ..... **08-03**

(52) **U.S. Cl.** ..... **D8/20**

(58) **Field of Classification Search** ..... D8/16,  
D8/19, 20, 64, 66, 70, 90-99; D15/127,  
D15/133, 138, 139; D22/117, 118; D24/146,  
D24/147; 7/118, 148; 30/142, 144, 165,  
30/166.3, 272.1, 314, 320, 346, 346.5, 346.55,  
30/346.56, 346.6, 349, 351, 355, 357  
See application file for complete search history.

(56) **References Cited**

**U.S. PATENT DOCUMENTS**

1,734,554 A 11/1929 Behrman

(Continued)

*Primary Examiner*—Garth Rademaker

(74) *Attorney, Agent, or Firm*—McCarter & English, LLP

(57) **CLAIM**

The ornamental design for a utility knife blade, as shown and described.

**DESCRIPTION**

FIG. 1 is a side perspective view of a first embodiment of a utility knife blade showing my new design;

FIG. 2 is a side elevational view of the utility knife blade of FIG. 1;

FIG. 3 is a top elevational view of the utility knife blade of FIG. 1;

FIG. 4 is a bottom elevational view of the utility knife blade of FIG. 1;

FIG. 5 is an end elevational view of the utility knife blade of FIG. 1;

FIG. 6 is a side elevational view of the opposite side the utility knife blade of FIG. 2;

FIG. 7 is a side perspective view of a second embodiment of a utility knife blade showing my new design;

FIG. 8 is a side elevational view of the utility knife blade of FIG. 7;

FIG. 9 is a top elevational view of the utility knife blade of FIG. 7;

FIG. 10 is a bottom elevational view of the utility knife blade of FIG. 7;

FIG. 11 is an end elevational view of the utility knife blade of FIG. 7;

FIG. 12 is a side elevational view of the opposite side the utility knife blade of FIG. 8;

FIG. 13 is a side perspective view of a third embodiment of a utility knife blade showing my new design;

FIG. 14 is a side elevational view of the utility knife blade of FIG. 13;

FIG. 15 is a top elevational view of the utility knife blade of FIG. 13;

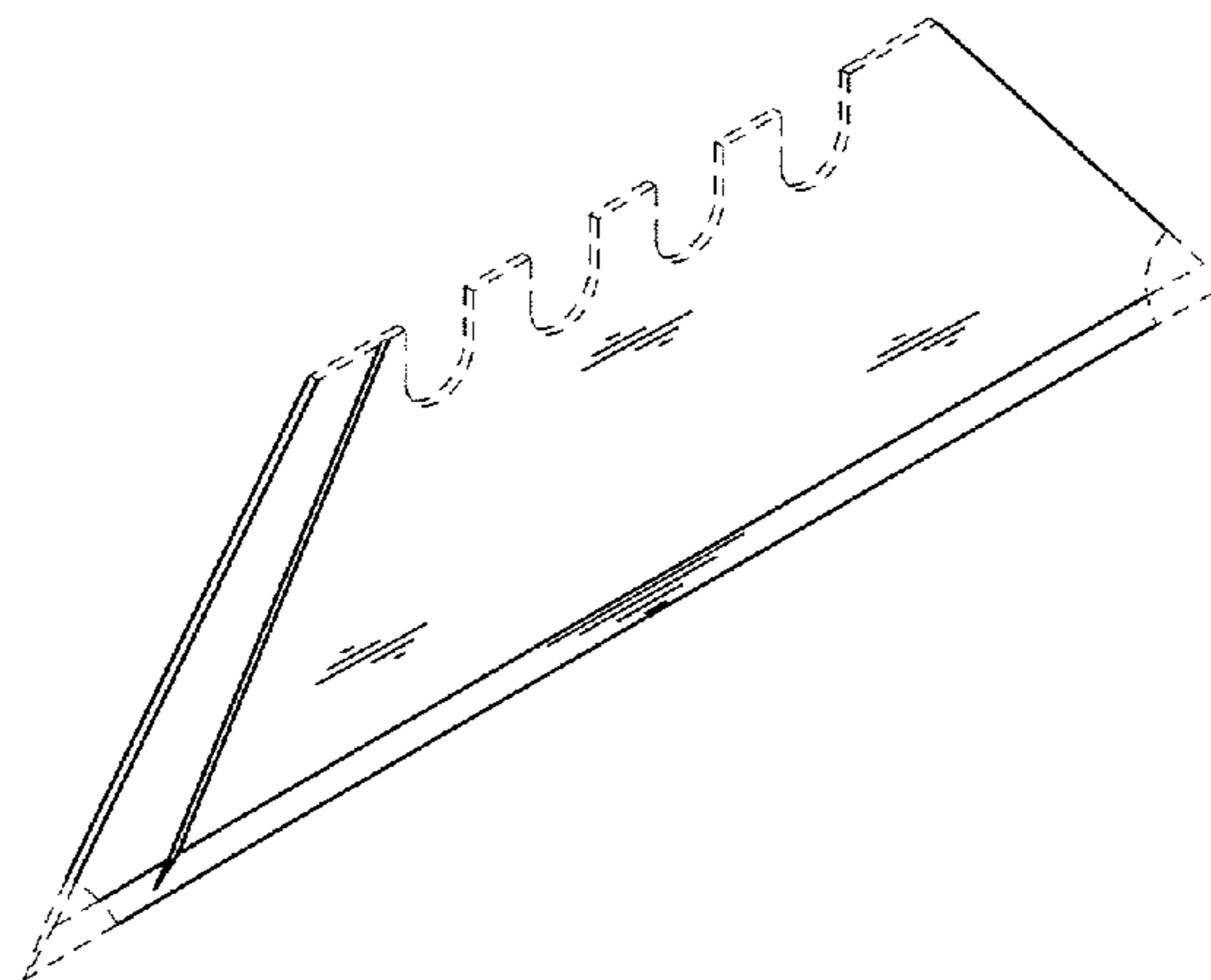
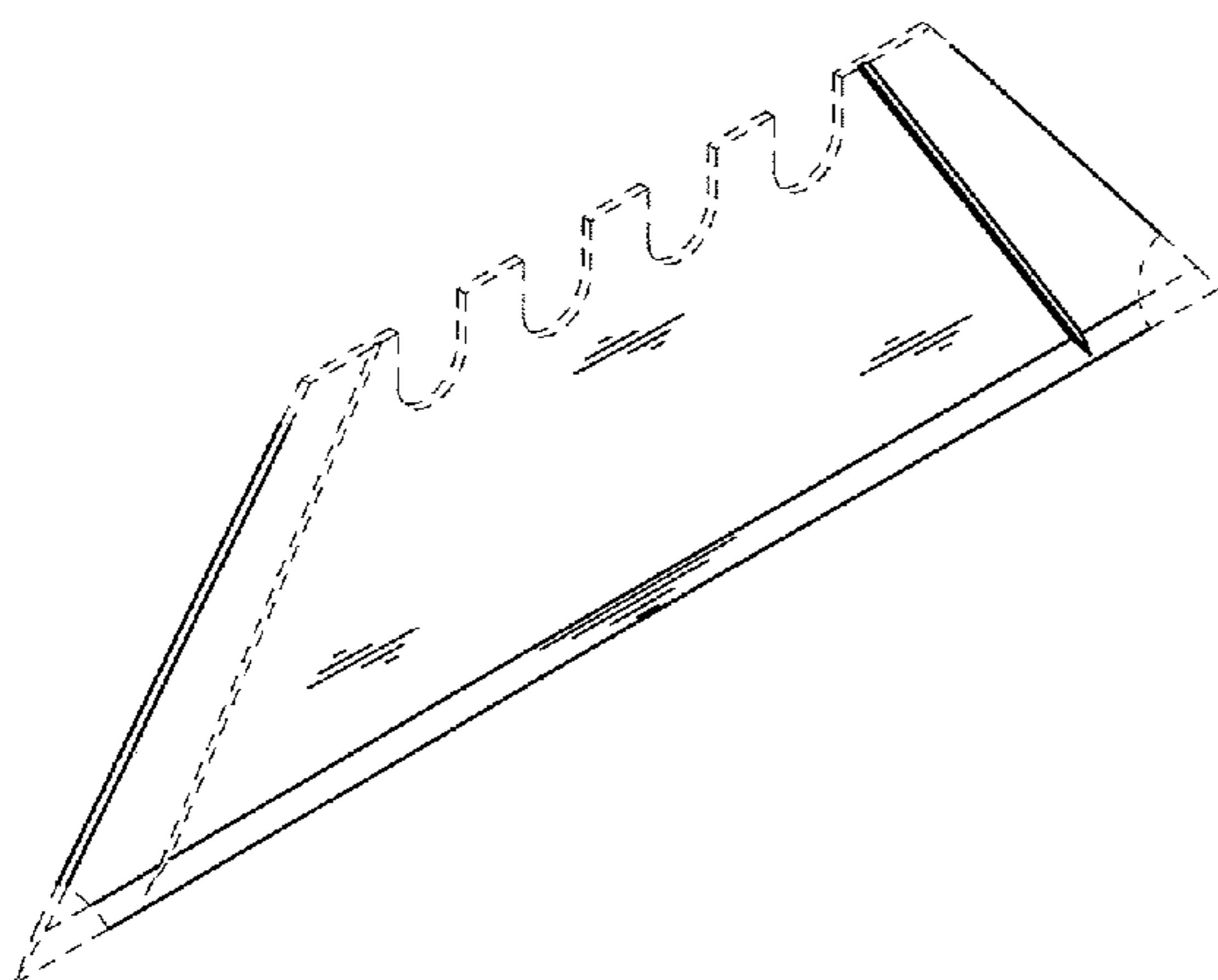
FIG. 16 is a bottom elevational view of the utility knife blade of FIG. 13;

FIG. 17 is an end elevational view of the utility knife blade of FIG. 13; and,

FIG. 18 is a side elevational view of the opposite side the utility knife blade of FIG. 14.

The broken lines in the drawings show structure that is not part of the claimed design, but rather show the environment in which the design is associated, or show portions of the article in which the design is embodied or applied to that are not considered part of the claimed design.

**1 Claim, 3 Drawing Sheets**



# US D628,453 S

Page 2

U.S. PATENT DOCUMENTS							
			6,438,849	B1 *	8/2002	Wonderley .....	30/161
3,439,419	A	4/1969	Fleming				
3,448,518	A	6/1969	Sklar				
3,889,368	A	6/1975	Himeno				
4,170,062	A	10/1979	Machida				
4,232,445	A	11/1980	Ito				
4,233,734	A	11/1980	Bies				
4,240,202	A	12/1980	Gilbert				
4,292,738	A	10/1981	Osada				
4,322,885	A	4/1982	Osada				
4,729,168	A	3/1988	Yeh				
4,794,692	A	1/1989	Wang				
5,077,901	A *	1/1992	Warner et al. ....				30/357
5,103,564	A	4/1992	MacDonald				
5,269,063	A	12/1993	Okada				
5,337,482	A	8/1994	Schmidt				
5,581,890	A	12/1996	Schmidt				
D400,067	S	10/1998	Gold				
D406,220	S *	3/1999	Schmidt .....				D8/20
D406,221	S *	3/1999	Schmidt .....				D8/20
5,909,930	A	6/1999	Ragland et al.				
6,226,873	B1	5/2001	Okumura				
6,263,577	B1 *	7/2001	Wonderley .....				30/152
6,324,762	B1	12/2001	Huang				
D455,057	S	4/2002	Medhurst				
			6,510,612	B1	1/2003	Cybulski	
			D479,108	S	9/2003	Schmidt	
			6,701,627	B2	3/2004	Korb et al.	
			6,718,640	B1	4/2004	John	
			6,938,345	B2	9/2005	Yu	
			D527,234	S	8/2006	Weremchuk et al.	
			7,208,216	B2	4/2007	Ackerman et al.	
			D562,651	S	2/2008	Harkey	
			D568,126	S	5/2008	Allem	
			D582,229	S	12/2008	Johnson	
			D608,168	S *	1/2010	Green .....	D8/20
			2003/0019111	A1	1/2003	Korb et al.	
			2003/0019332	A1	1/2003	Korb et al.	
			2004/0168326	A1	9/2004	Korb et al.	
			2004/0244539	A1	12/2004	Korb et al.	
			2005/0022390	A1	2/2005	Whitemiller et al.	
			2005/0050734	A1	3/2005	Kesinger	
			2006/0053631	A1 *	3/2006	Fossella .....	30/165
			2007/0101576	A1	5/2007	Green	
			2007/0227012	A1	10/2007	Constantine et al.	
			2007/0245574	A1	10/2007	Green	
			2008/0295344	A1 *	12/2008	Gioia .....	30/351
			2009/0106909	A1	4/2009	Tyers	

\* cited by examiner

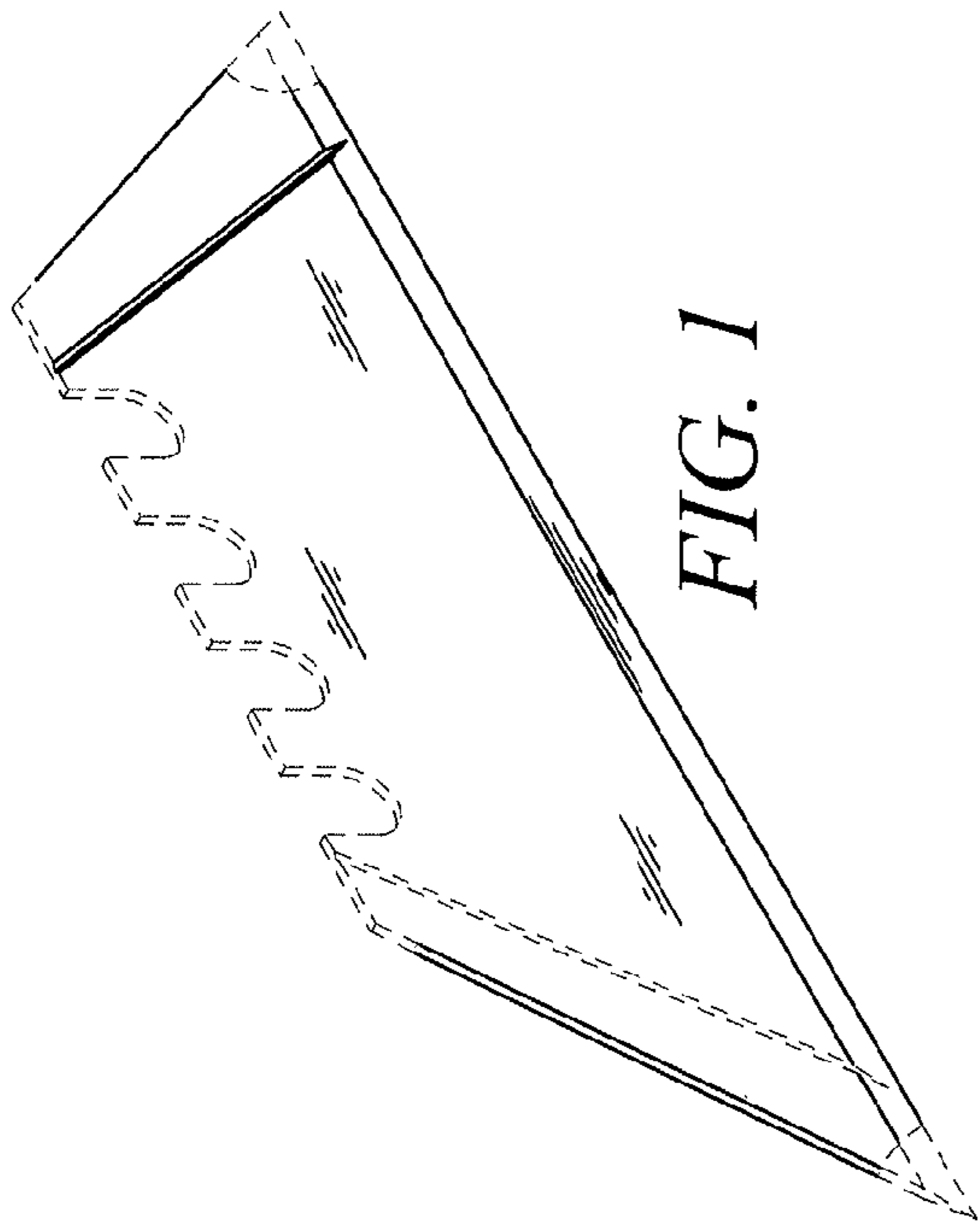


FIG. 1

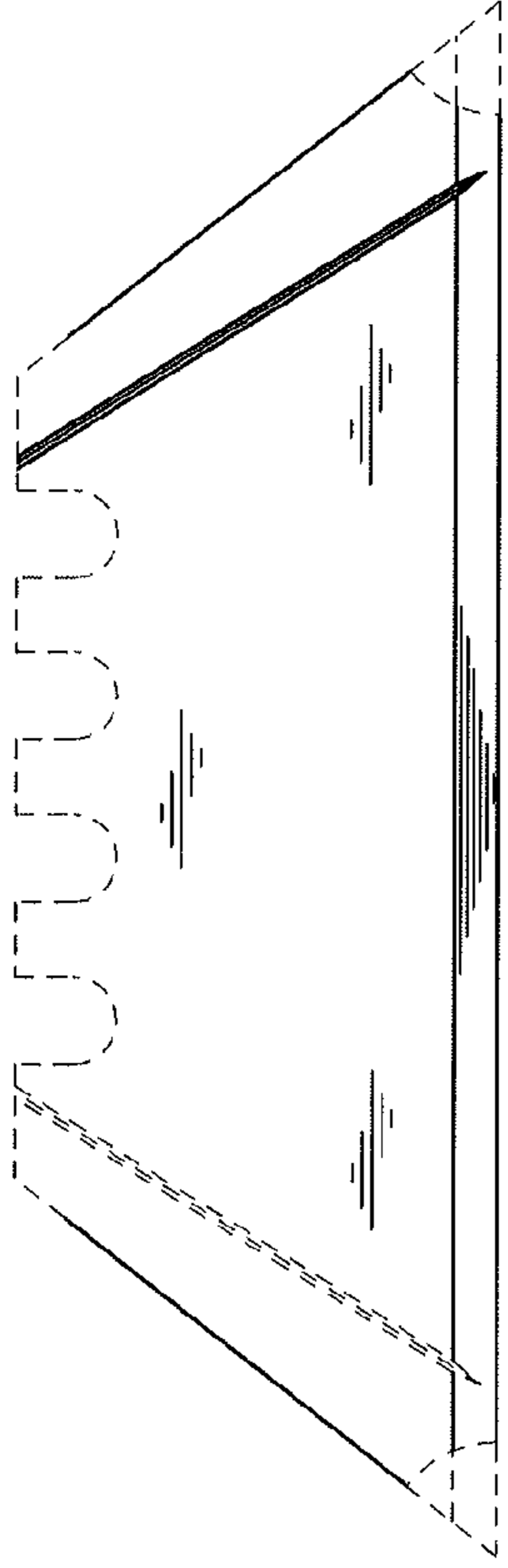


FIG. 2

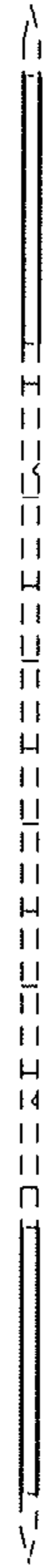


FIG. 3



FIG. 4

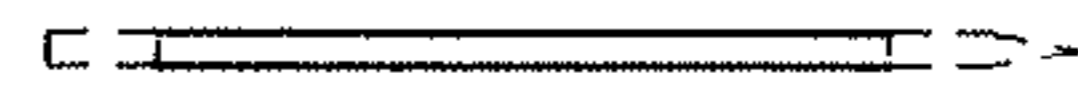


FIG. 5

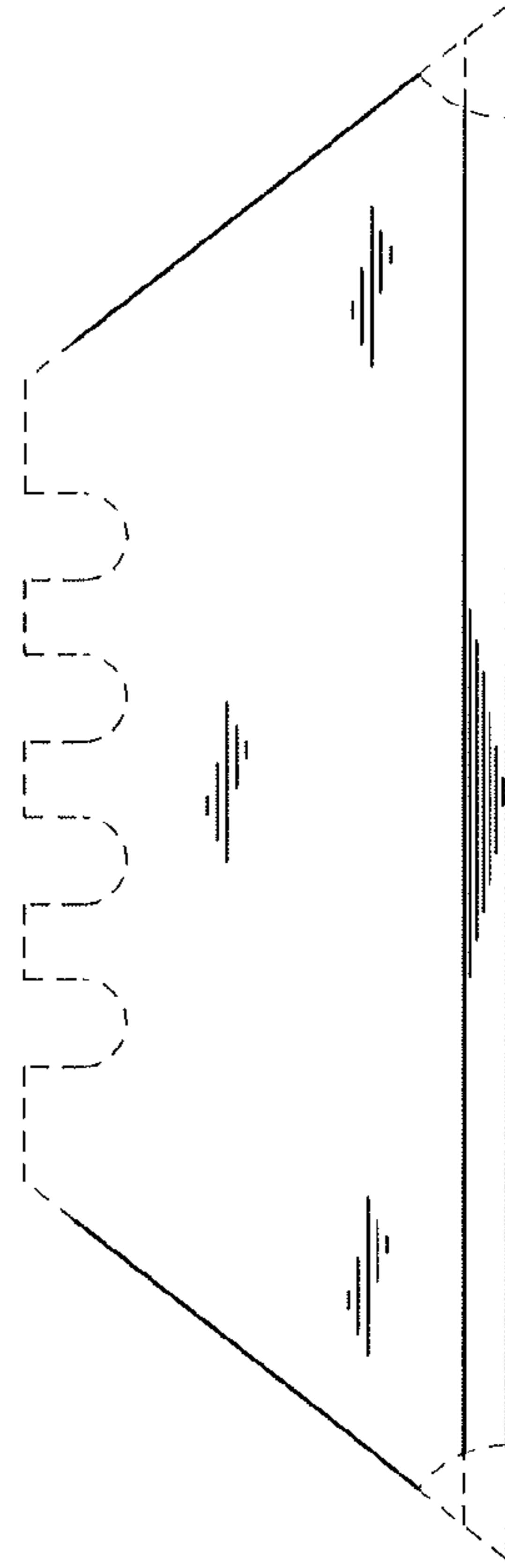


FIG. 6

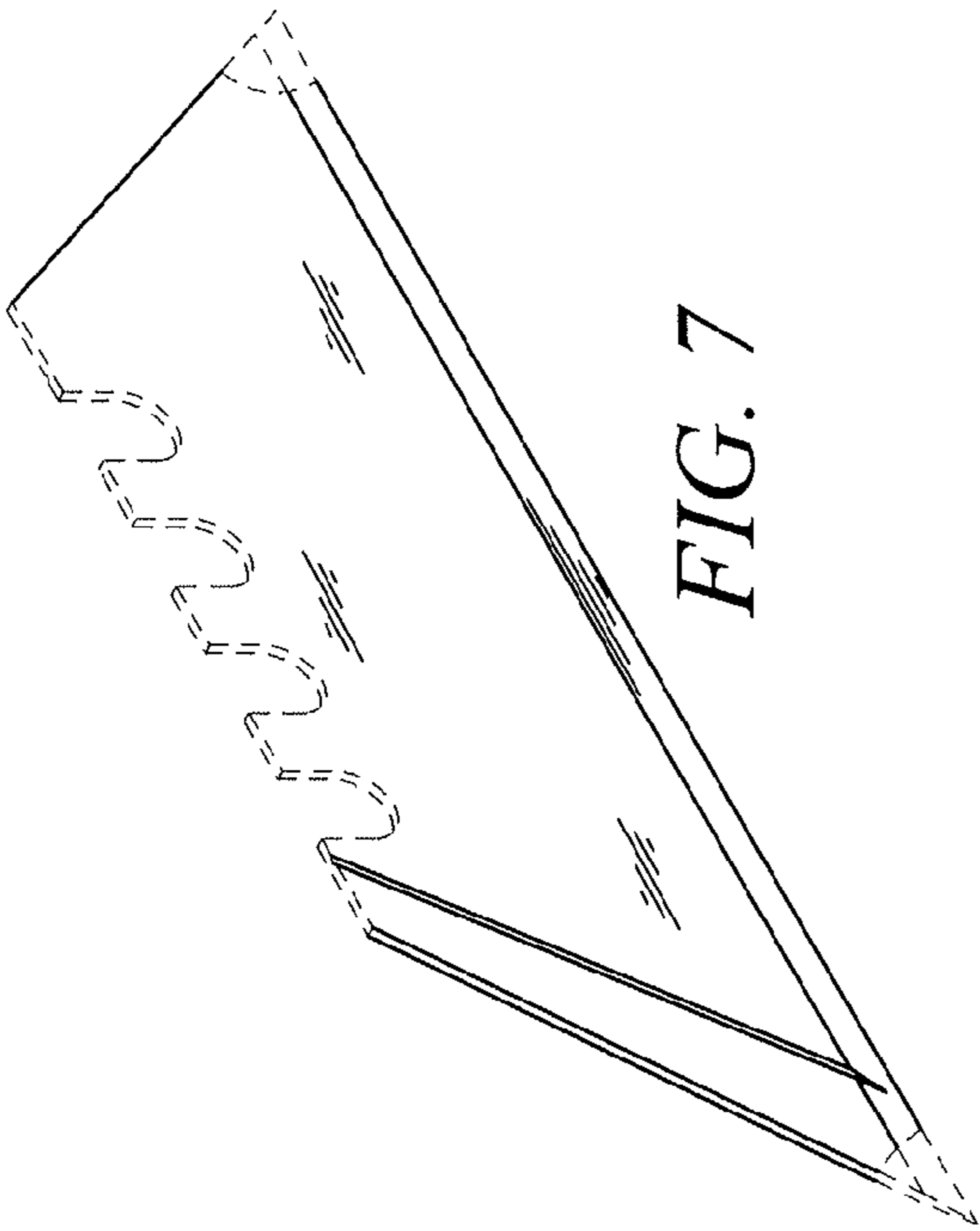


FIG. 7

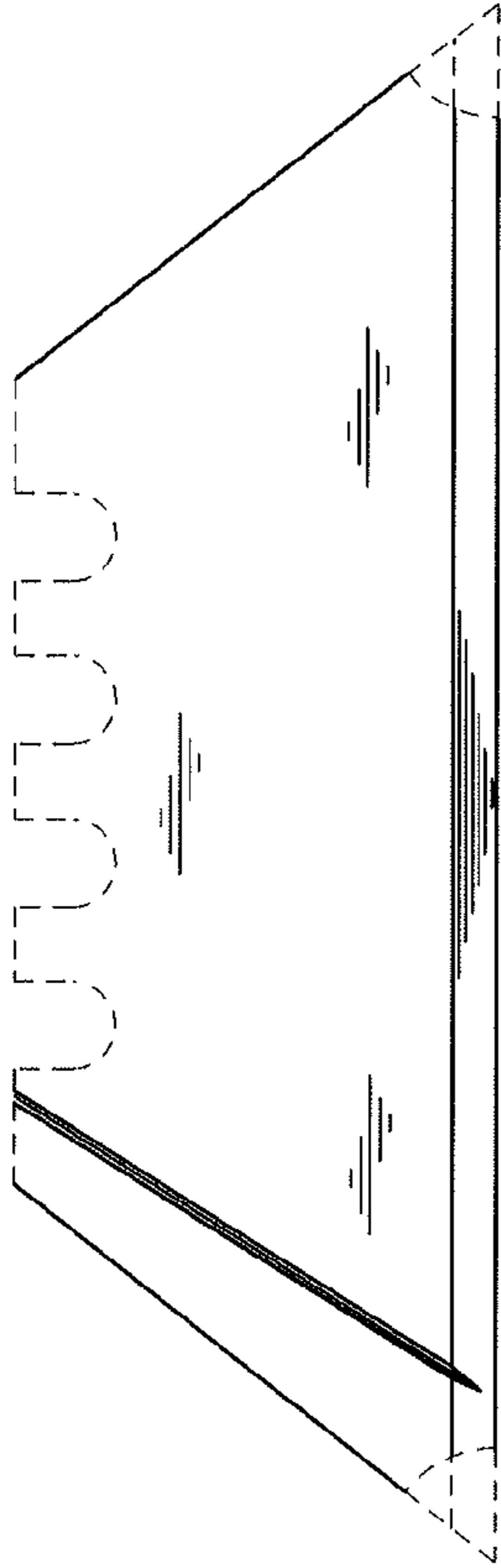


FIG. 8

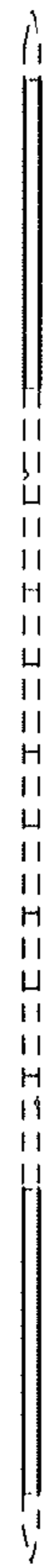


FIG. 9



FIG. 10

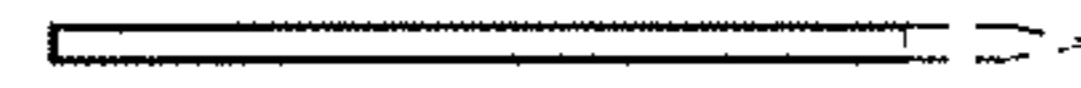


FIG. 11

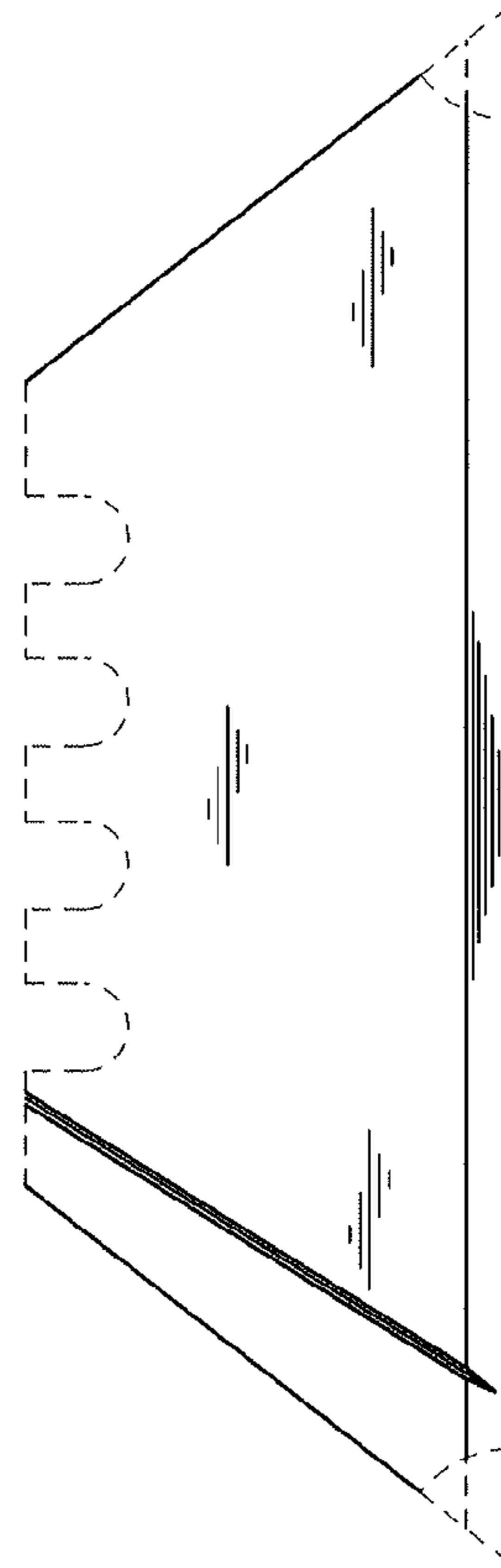


FIG. 12

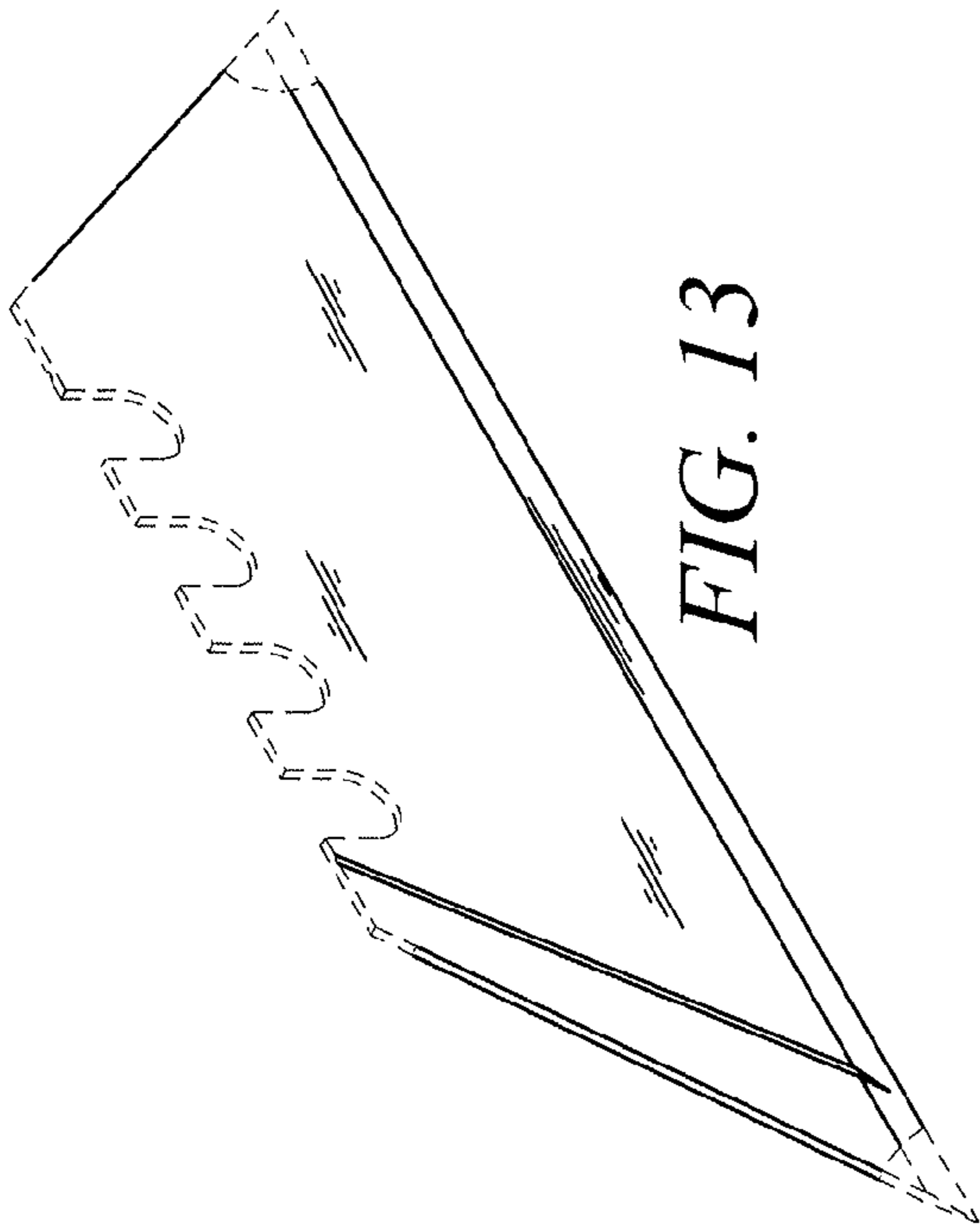


FIG. 13

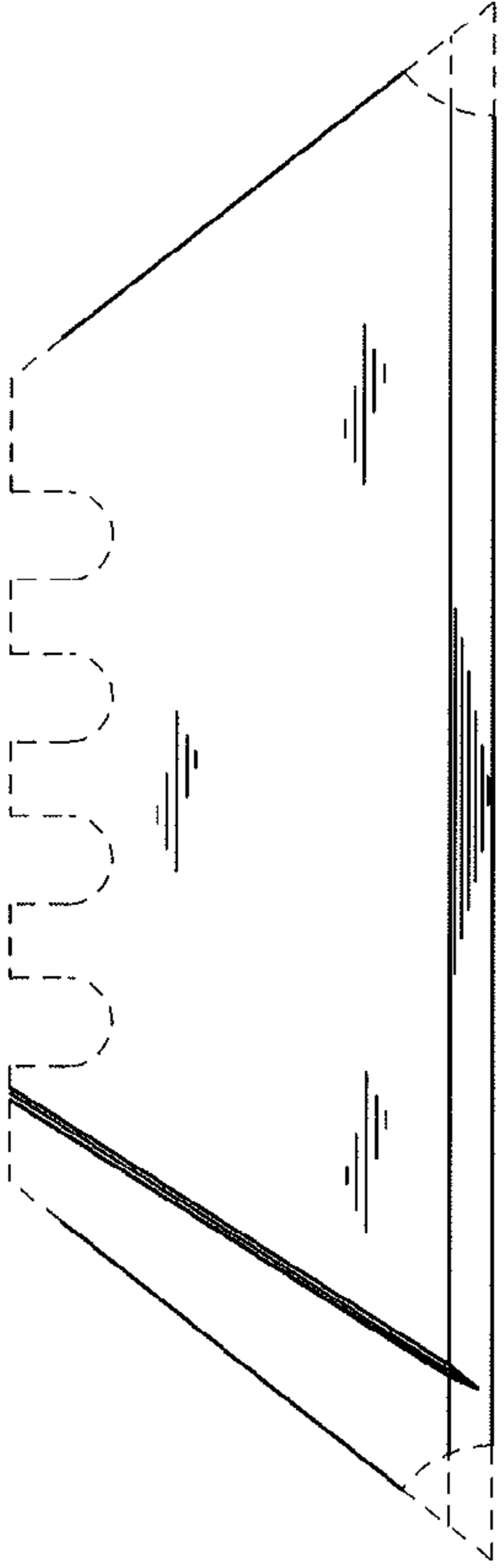


FIG. 14

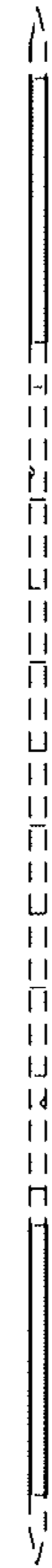


FIG. 15



FIG. 16

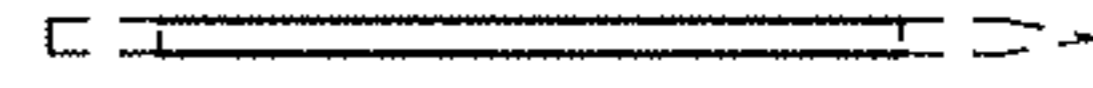


FIG. 17

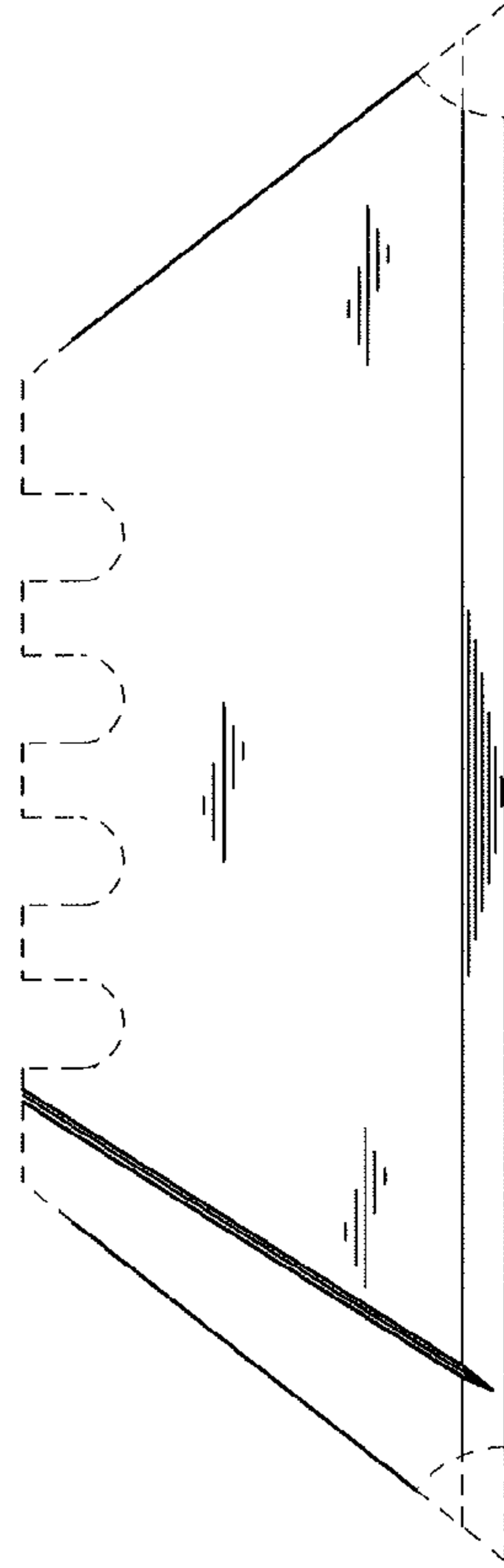


FIG. 18