



US00D628450S

(12) **United States Design Patent**  
**Kulzer**

(10) **Patent No.:** **US D628,450 S**

(45) **Date of Patent:** **\*\* Dec. 7, 2010**

(54) **SCULPTED TOP SQUARED CUP TRAY**

(75) Inventor: **Darrell A. Kulzer**, Denver, CO (US)

(73) Assignee: **B & R Plastics, Inc.**, Denver, CO (US)

(\*\*) Term: **14 Years**

(21) Appl. No.: **29/341,962**

(22) Filed: **Aug. 14, 2009**

(51) **LOC (9) Cl.** ..... **07-06**

(52) **U.S. Cl.** ..... **D7/701; D7/553.2**

(58) **Field of Classification Search** ..... D7/357,  
D7/396.4-396.5, 550.1, 553.1-553.8, 554.1-554.4,  
D7/555, 588, 701, 708; D9/758, 760; D15/90;  
99/426, 428, 440; 206/203, 217, 557-558,  
206/561, 564; 249/117, 127, 160, DIG. 1;  
220/500-501, 507, 527, 553

See application file for complete search history.

(56) **References Cited**

**U.S. PATENT DOCUMENTS**

D241,622 S *	9/1976	Smith	.....	D9/760
D263,682 S *	4/1982	Urciuoli	.....	D9/760
D305,713 S *	1/1990	Seifried	.....	D7/553.4
5,543,104 A *	8/1996	Stratford et al.	.....	264/328.8
D401,530 S *	11/1998	Keskilohko	.....	D11/155
5,976,588 A *	11/1999	Vincent	.....	426/119
D494,408 S *	8/2004	Hinton et al.	.....	D7/357
D540,711 S *	4/2007	Howard et al.	.....	D11/155
D574,182 S *	8/2008	Shannon et al.	.....	D7/357

D601,040 S *	9/2009	Vovan et al.	.....	D9/760
D616,265 S *	5/2010	Kulzer	.....	D7/701
D616,266 S *	5/2010	Kulzer	.....	D7/701
D616,267 S *	5/2010	Kulzer	.....	D7/701
D616,268 S *	5/2010	Kulzer	.....	D7/701
D616,269 S *	5/2010	Kulzer	.....	D7/701
D616,270 S *	5/2010	Kulzer	.....	D7/701
D616,714 S *	6/2010	Kulzer	.....	D7/701
D616,715 S *	6/2010	Kulzer	.....	D7/701

\* cited by examiner

*Primary Examiner*—Carol Rademaker

*Assistant Examiner*—Dana L Sipos

(74) *Attorney, Agent, or Firm*—William W. Cochran;  
Cochran Freund & Young LLC

(57) **CLAIM**

The ornamental design for a sculpted top squared cup tray, as shown and described.

**DESCRIPTION**

FIG. 1 is a top perspective view of a sculpted top squared cup tray showing my new design.

FIG. 2 is a top view thereof.

FIG. 3 is a bottom view thereof.

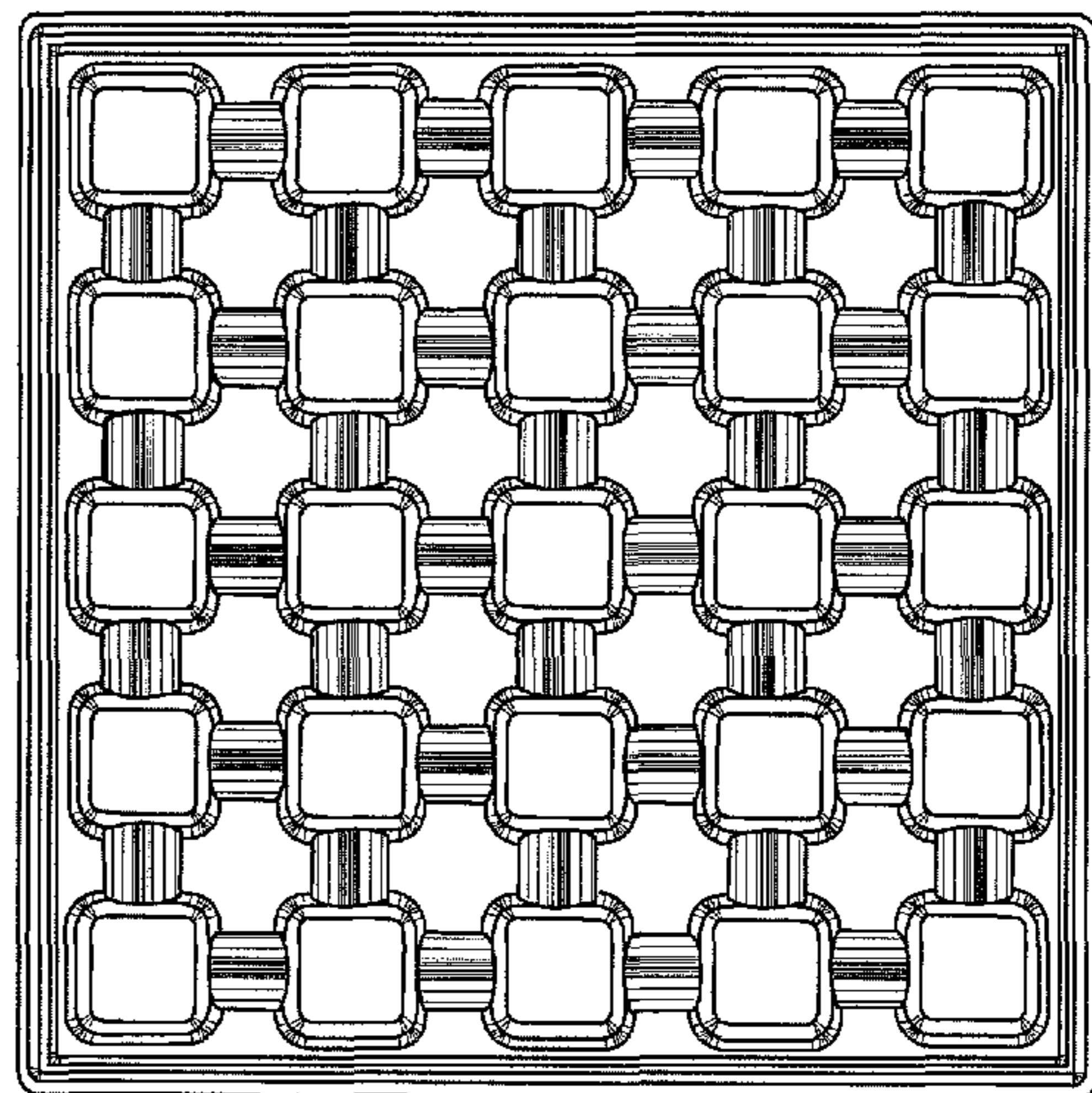
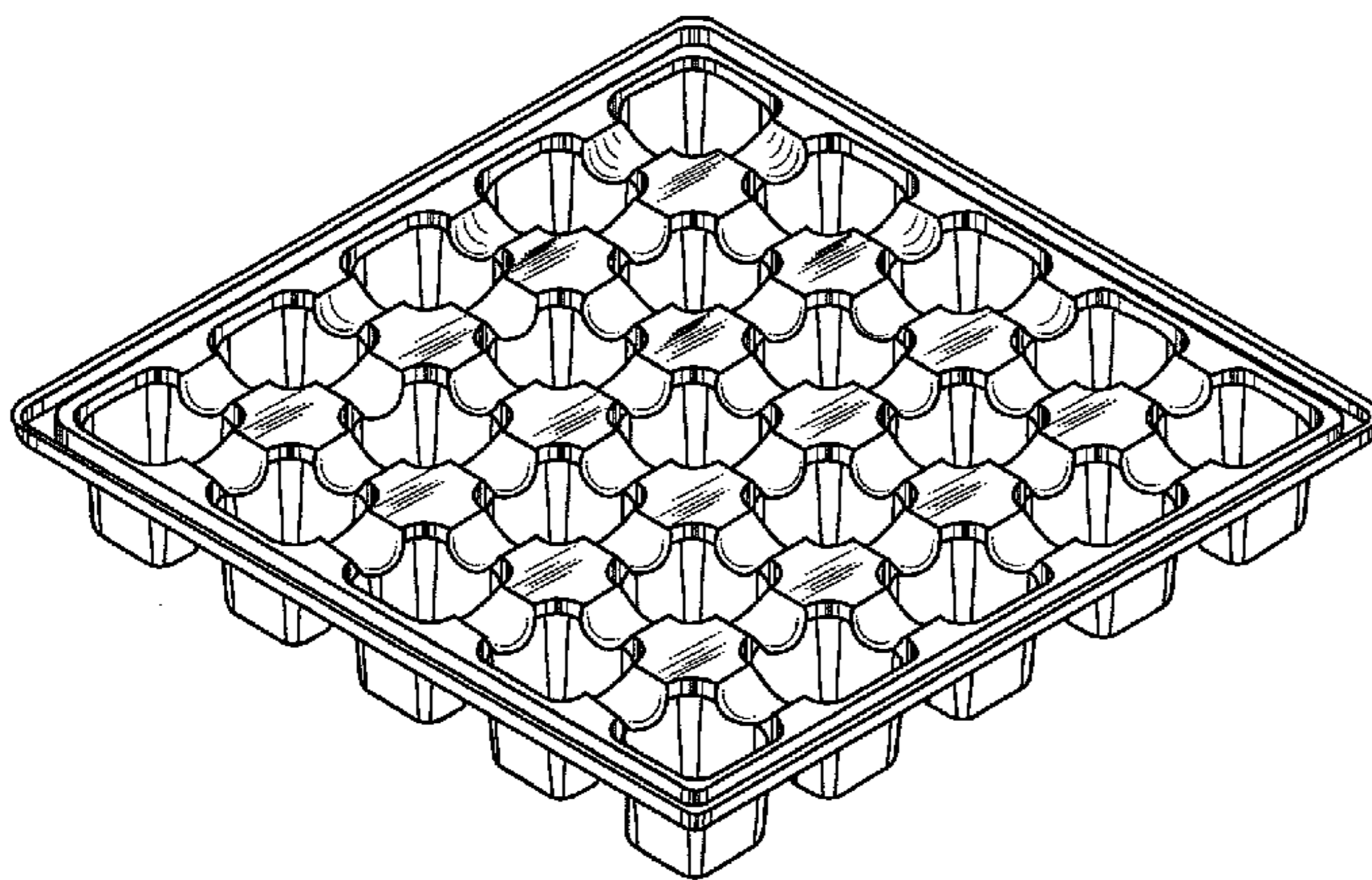
FIG. 4 is a right side view thereof.

FIG. 5 is a left side view thereof.

FIG. 6 is a front view thereof; and,

FIG. 7 is a back view thereof.

**1 Claim, 7 Drawing Sheets**



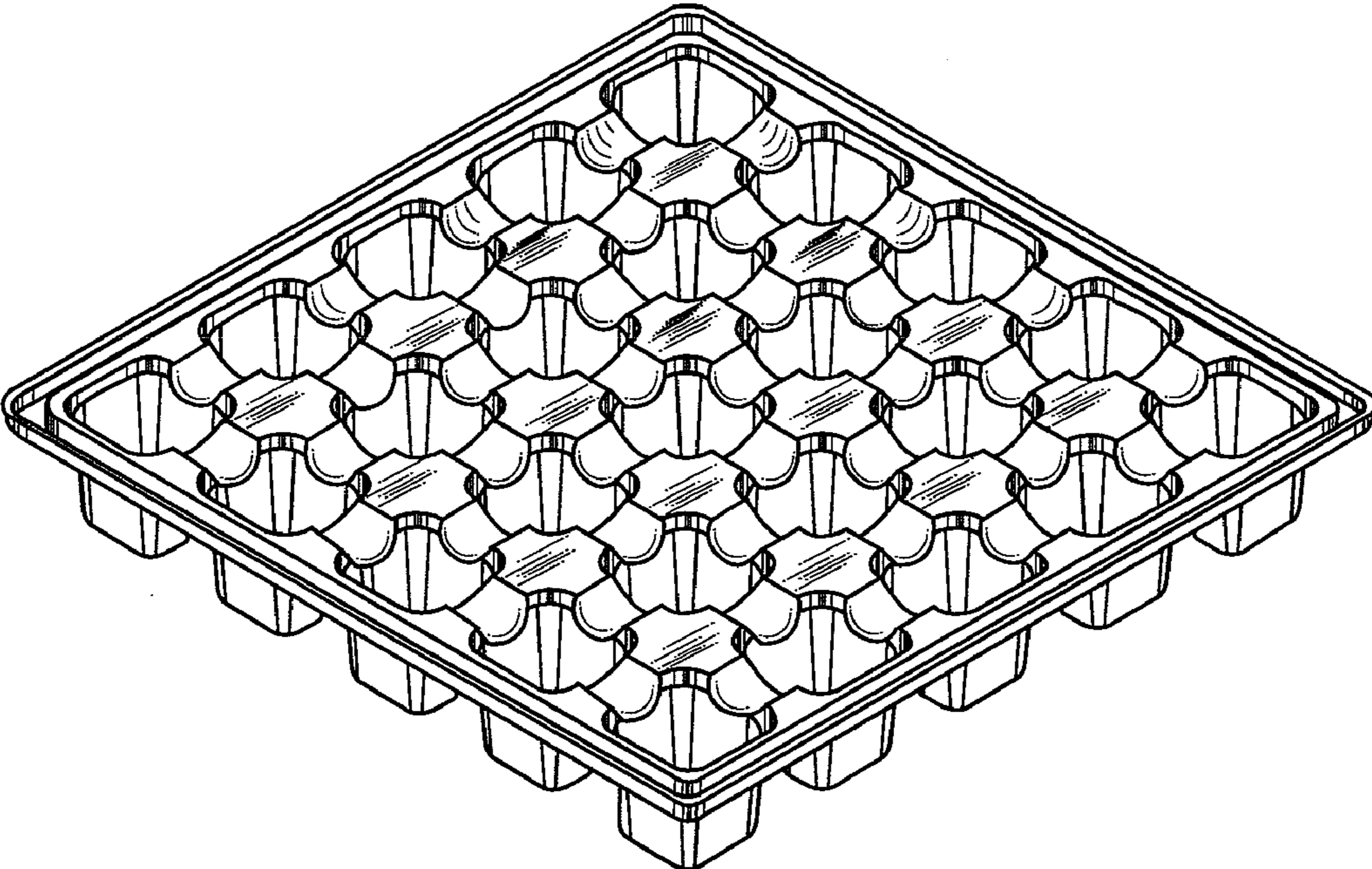


Fig. 1

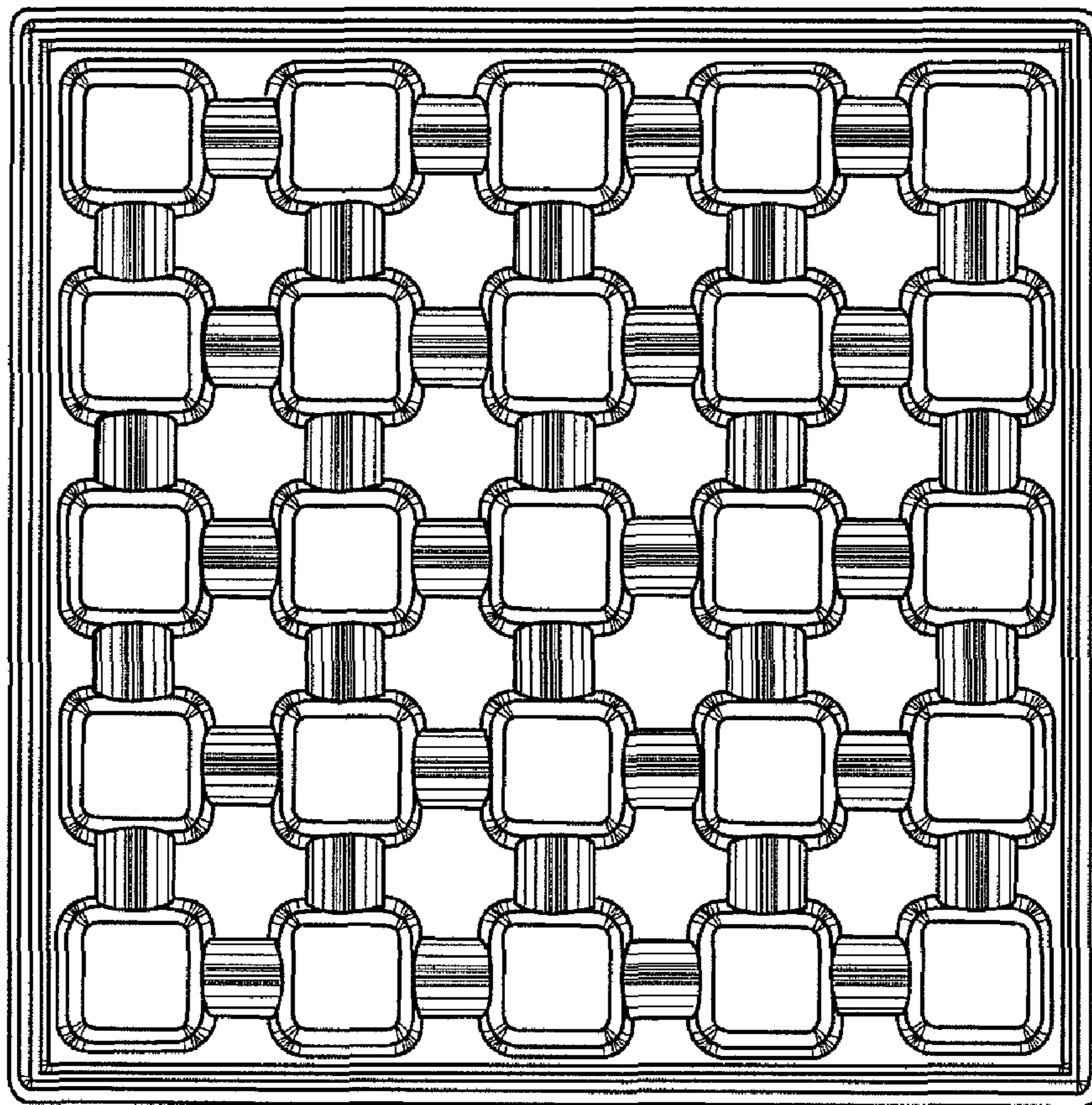


Fig. 2

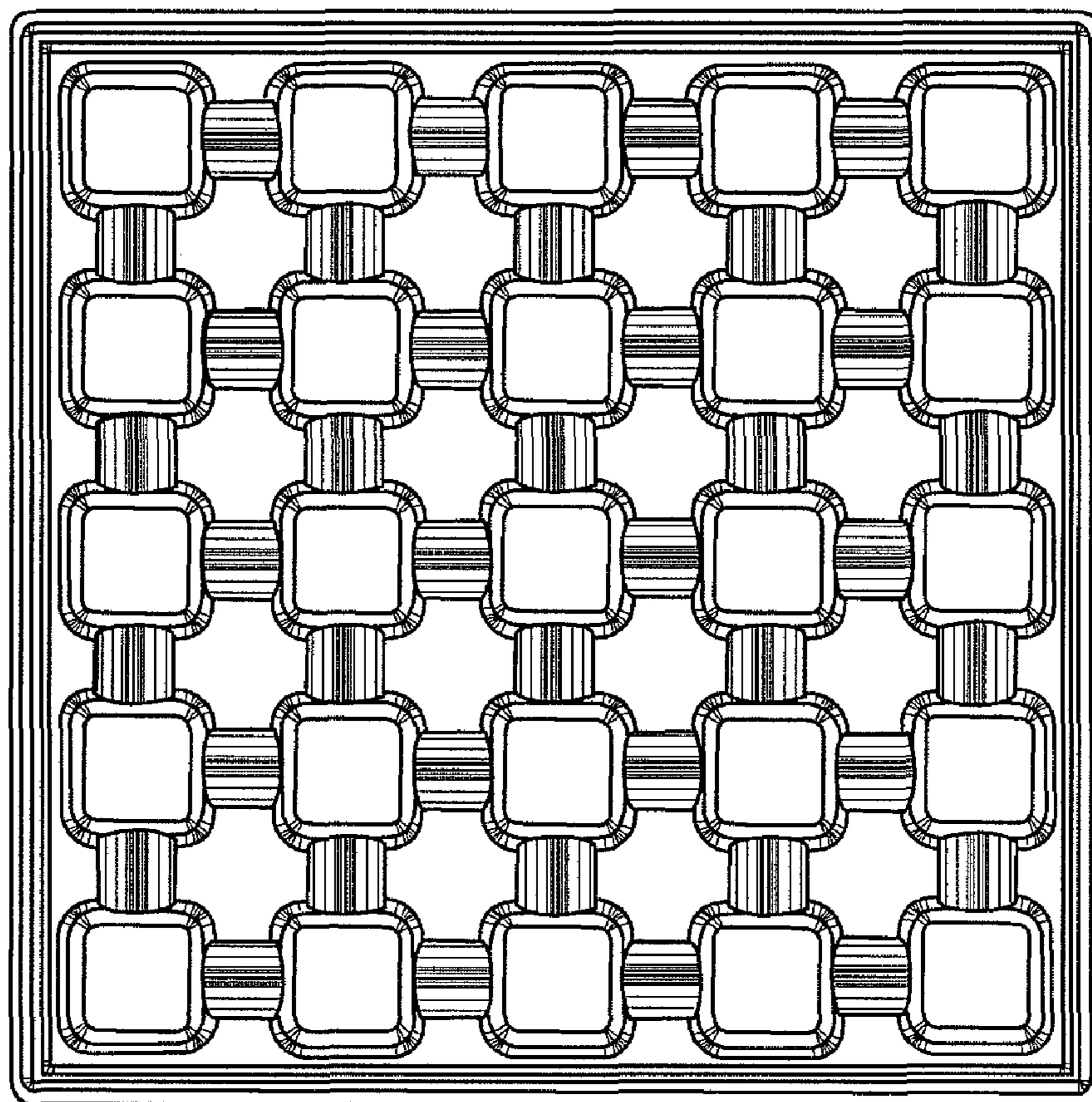


Fig. 3

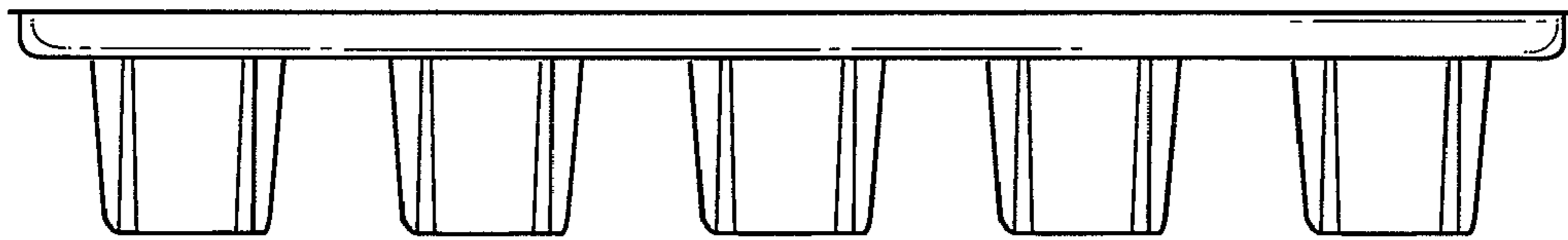
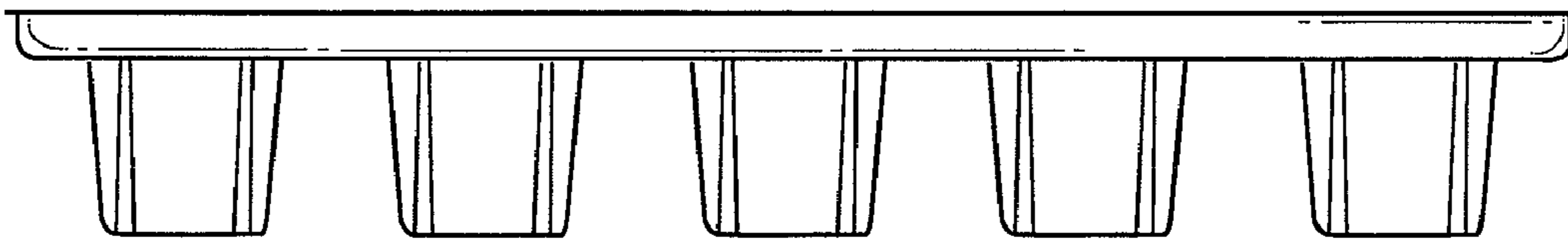
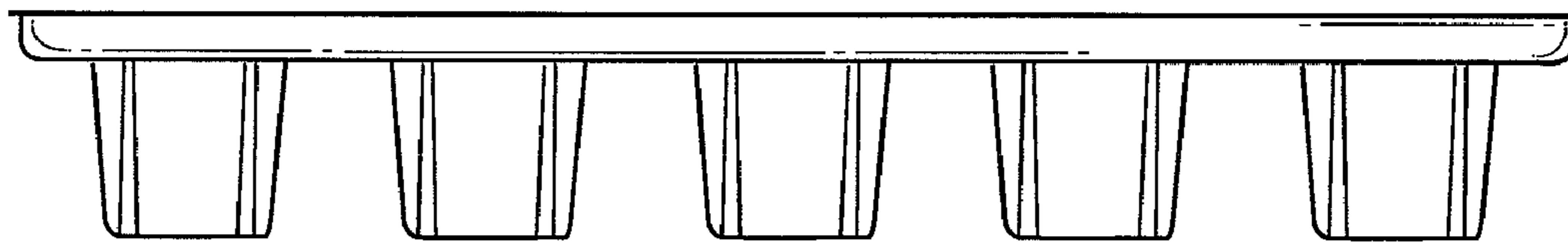


Fig. 4



**Fig. 5**



**Fig. 6**

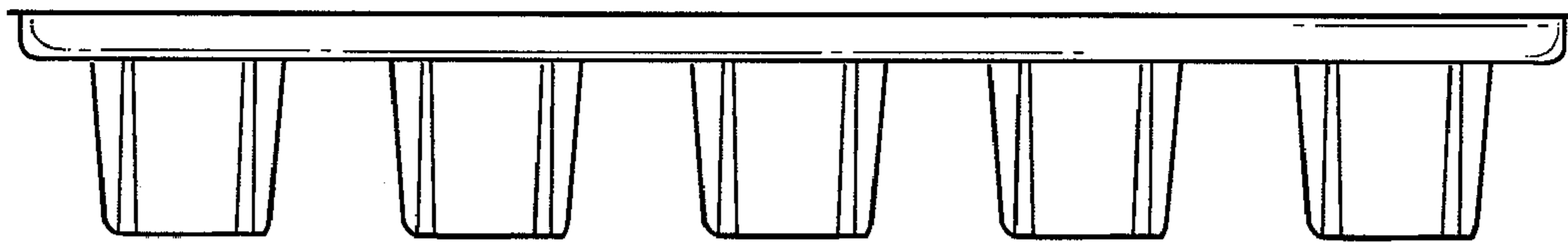


Fig. 7



UNITED STATES PATENT AND TRADEMARK OFFICE  
**CERTIFICATE OF CORRECTION**

PATENT NO. : D628,450 S  
APPLICATION NO. : 29/341962  
DATED : December 7, 2010  
INVENTOR(S) : Darrell A. Kulzer and Gilbert Martinez

Page 1 of 1

It is certified that error appears in the above-identified patent and that said Letters Patent is hereby corrected as shown below:

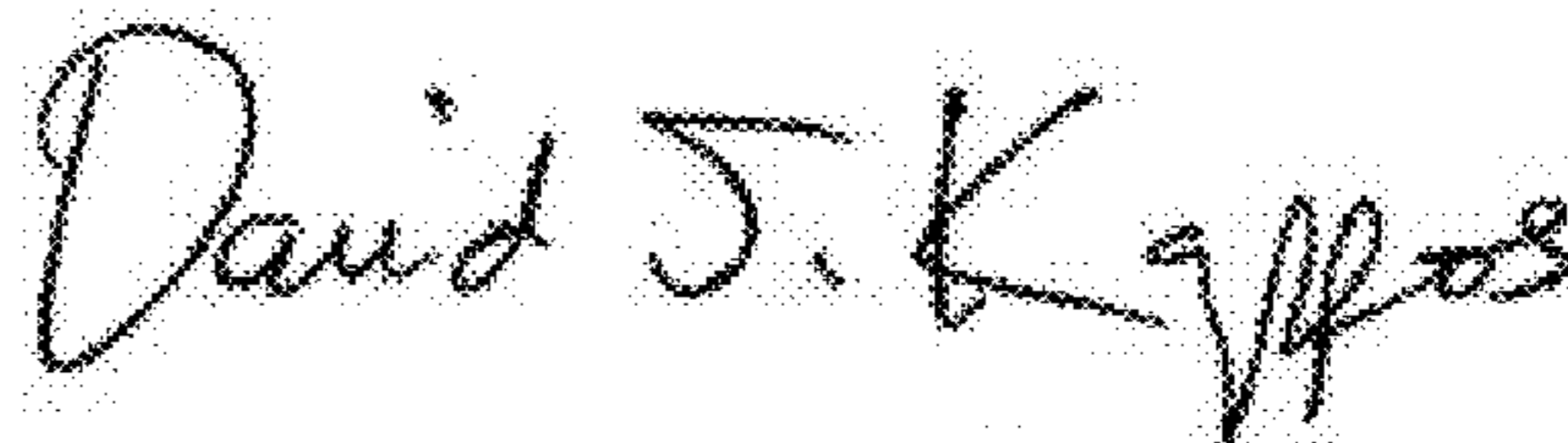
Title Page; item (75);

Inventor: Darrell A. Kulzer, Denver, CO (US)

should be corrected to read:

Inventors: Darrell A. Kulzer, Denver, CO (US); Gilbert Martinez, Firestone, CO (US)

Signed and Sealed this  
Nineteenth Day of April, 2011

A handwritten signature in black ink that reads "David J. Kappos". The signature is written in a cursive, slightly slanted style.

David J. Kappos  
*Director of the United States Patent and Trademark Office*