



US00D628449S

(12) **United States Design Patent**
Kulzer

(10) **Patent No.:** **US D628,449 S**

(45) **Date of Patent:** **** Dec. 7, 2010**

(54) **FLAT TOP SQUARED CUP TRAY**

(75) Inventor: **Darrell A. Kulzer**, Denver, CO (US)

(73) Assignee: **B & R Plastics, Inc.**, Denver, CO (US)

(**) Term: **14 Years**

(21) Appl. No.: **29/341,957**

(22) Filed: **Aug. 14, 2009**

(51) **LOC (9) Cl.** **07-06**

(52) **U.S. Cl.** **D7/701; D7/553.2**

(58) **Field of Classification Search** D7/357,
D7/396.4-396.5, 550.1, 553.1-553.8, 554.1-554.4,
D7/555, 588, 701, 708; D9/758, 760; D15/90;
99/426, 428, 440; 206/203, 217, 557-558,
206/561, 564; 249/117, 127, 160, DIG. 1;
220/500-501, 507, 527, 553

See application file for complete search history.

(56) **References Cited**

U.S. PATENT DOCUMENTS

D241,622 S *	9/1976	Smith	D9/760
D263,682 S *	4/1982	Urciuoli	D9/760
D305,713 S *	1/1990	Seifried	D7/553.4
5,543,104 A *	8/1996	Stratford et al.	264/328.8
D401,530 S *	11/1998	Keskilohko	D11/155
5,976,588 A *	11/1999	Vincent	426/119
D494,408 S *	8/2004	Hinton et al.	D7/357
D540,711 S *	4/2007	Howard et al.	D11/155
D574,182 S *	8/2008	Shannon et al.	D7/357
D601,040 S *	9/2009	Vovan et al.	D9/760
D616,265 S *	5/2010	Kulzer	D7/701

D616,266 S *	5/2010	Kulzer	D7/701
D616,267 S *	5/2010	Kulzer	D7/701
D616,268 S *	5/2010	Kulzer	D7/701
D616,269 S *	5/2010	Kulzer	D7/701
D616,270 S *	5/2010	Kulzer	D7/701
D616,714 S *	6/2010	Kulzer	D7/701
D616,715 S *	6/2010	Kulzer	D7/701

* cited by examiner

Primary Examiner—Carol Rademaker

Assistant Examiner—Dana L Sipos

(74) *Attorney, Agent, or Firm*—William W. Cochran;
Cochran Freund & Young LLC

(57) **CLAIM**

The ornamental design for a flat top squared cup tray, as shown and described.

DESCRIPTION

FIG. 1 is a top perspective view of a flat top squared cup tray showing my new design.

FIG. 2 is a top view thereof.

FIG. 3 is a bottom view thereof.

FIG. 4 is a right side view thereof.

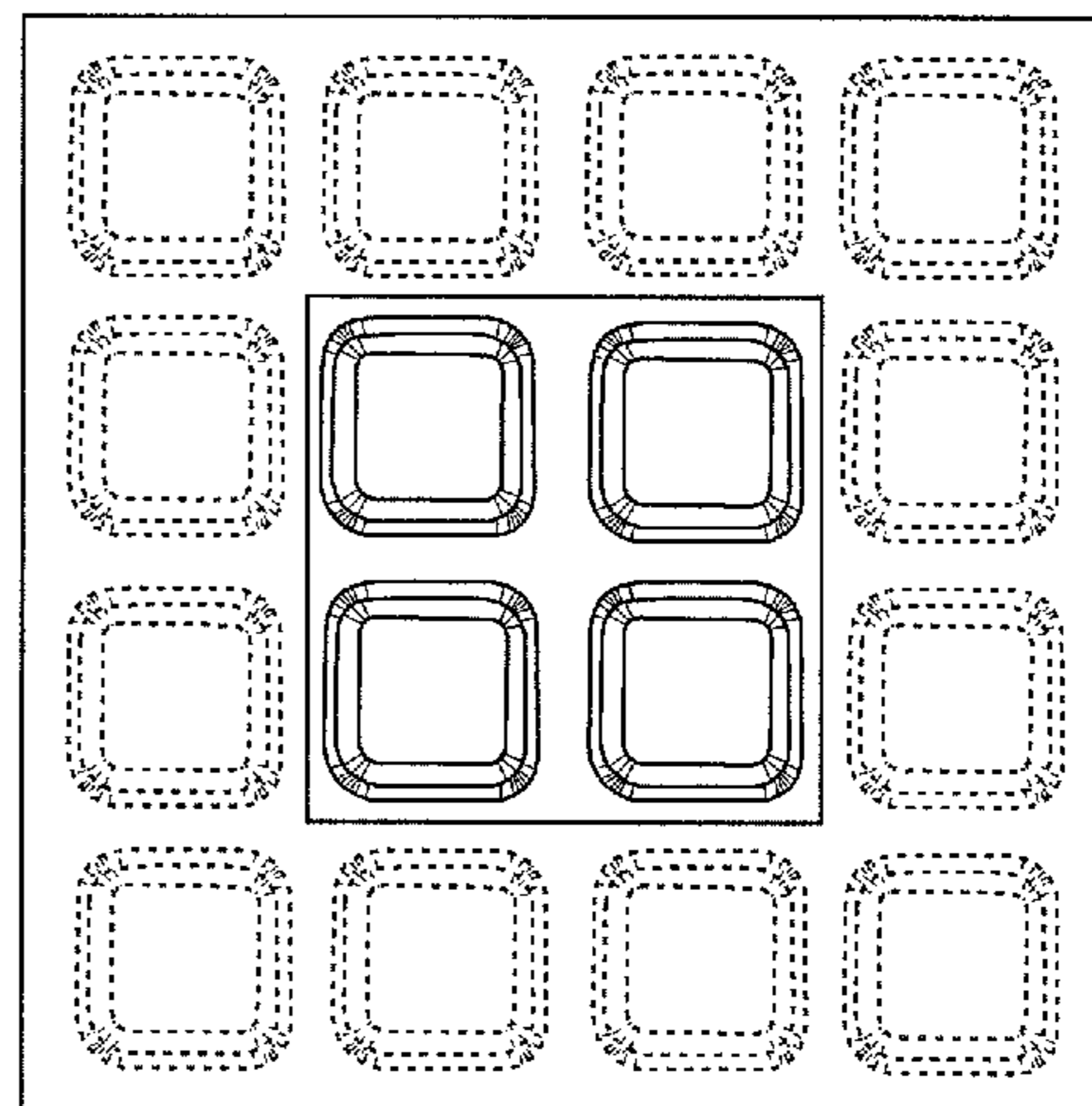
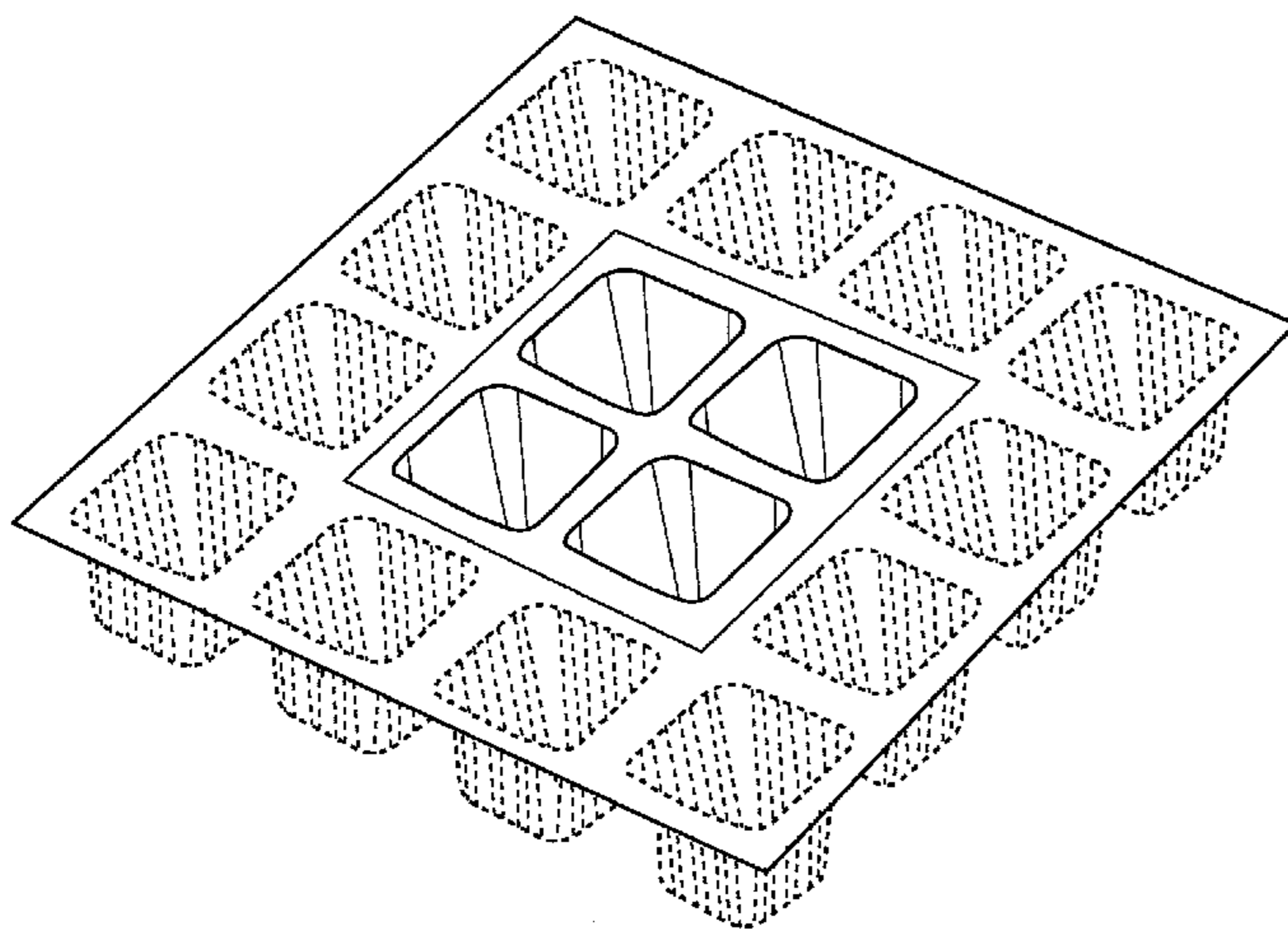
FIG. 5 is a left side view thereof.

FIG. 6 is a front view thereof; and,

FIG. 7 is a back view thereof.

The broken line portions in the drawings illustrate the portions of the design that form no part of the claim.

1 Claim, 7 Drawing Sheets



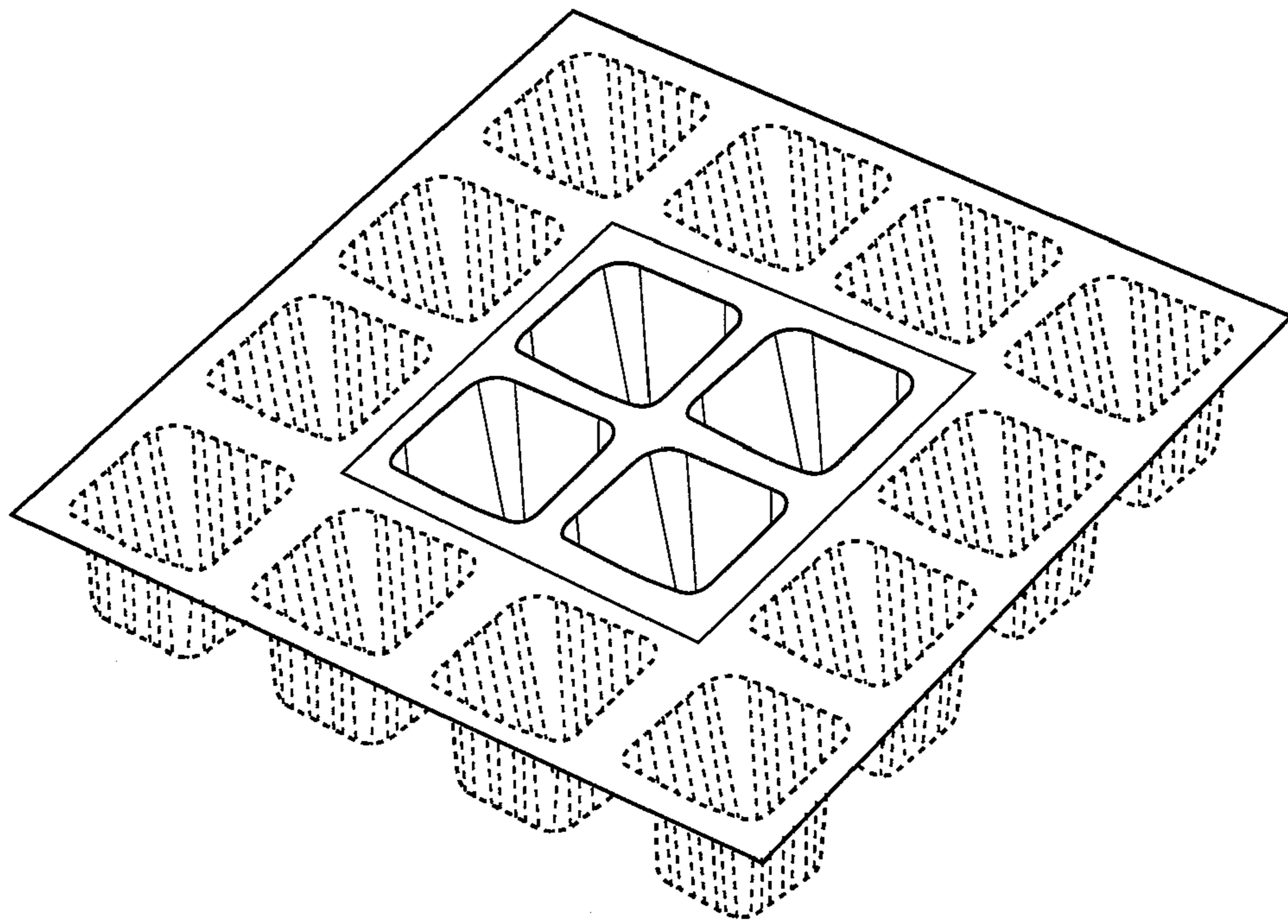


Fig. 1

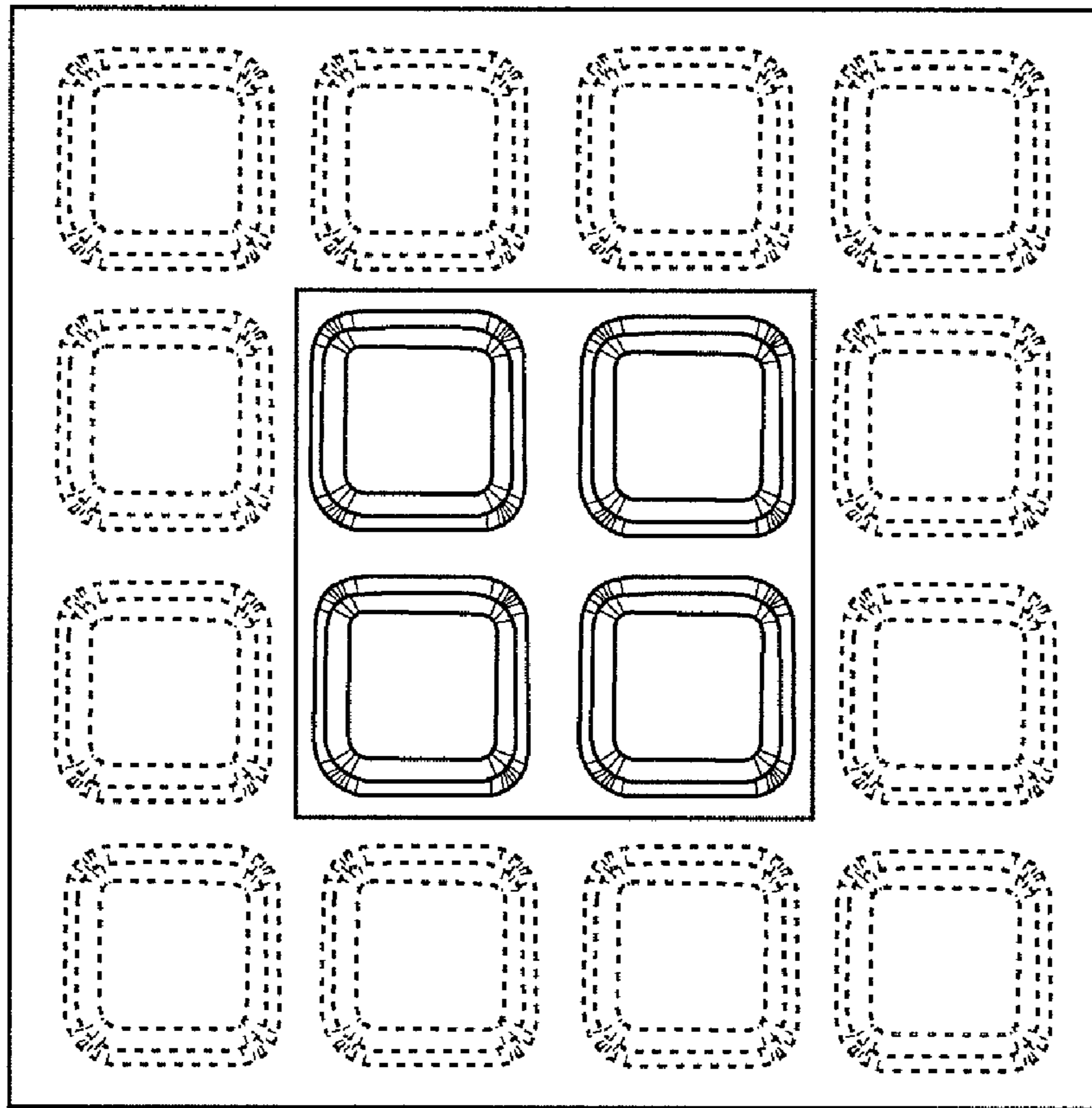


Fig. 2

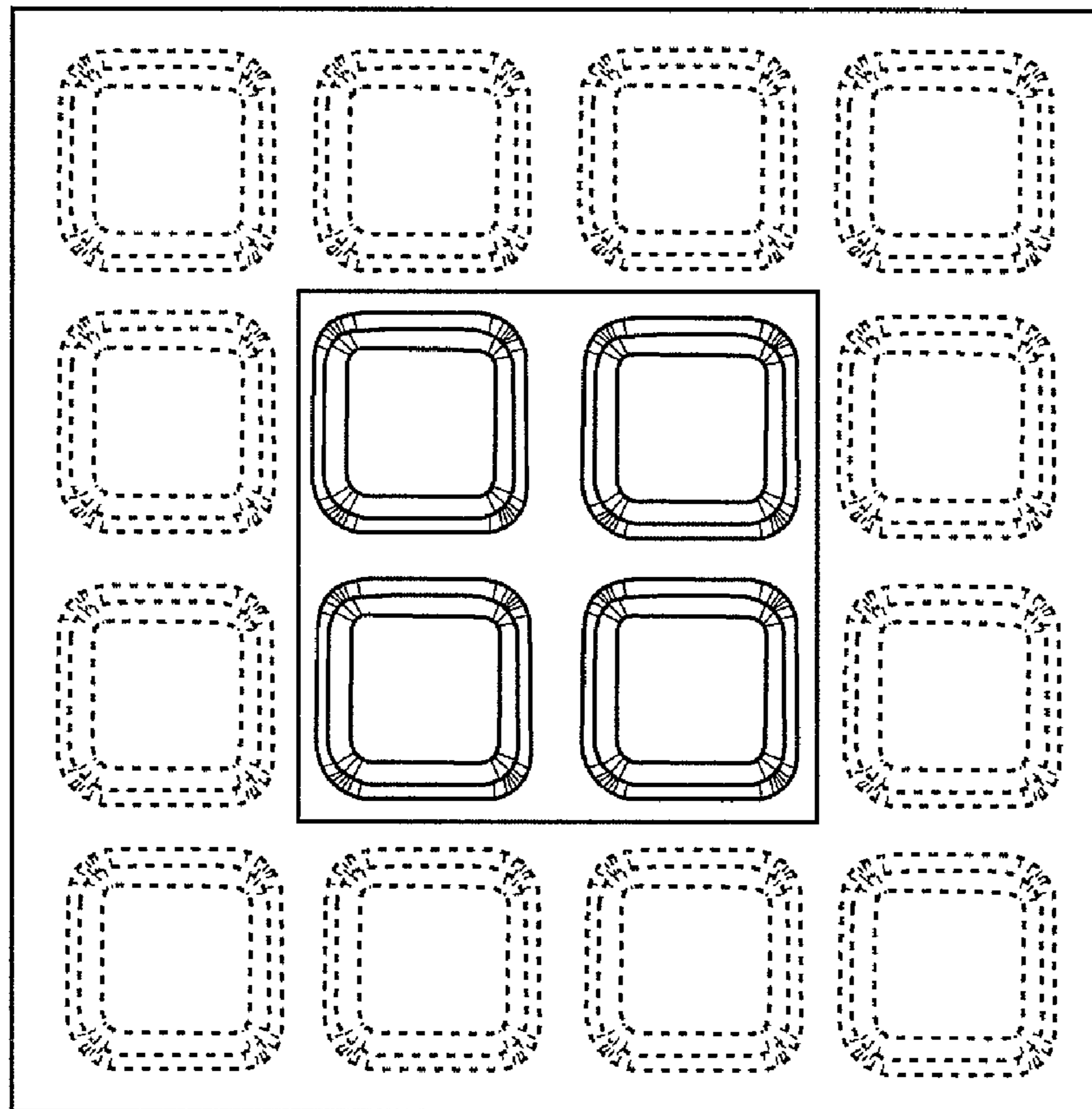


Fig. 3

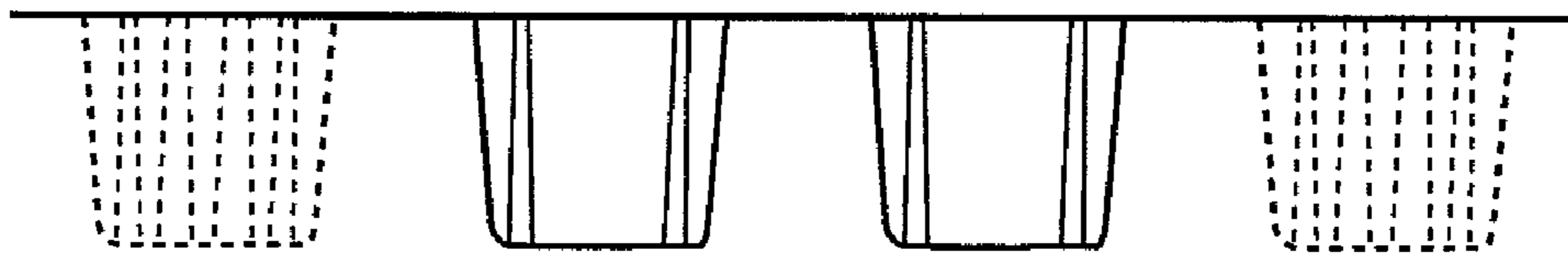


Fig. 4

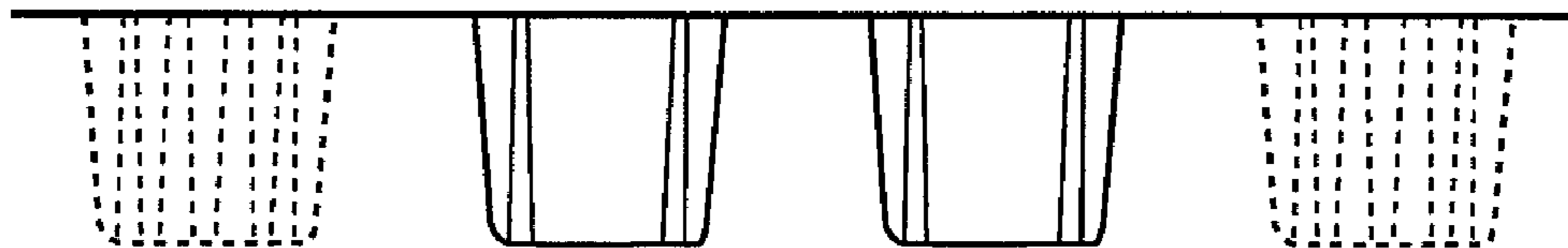


Fig. 5

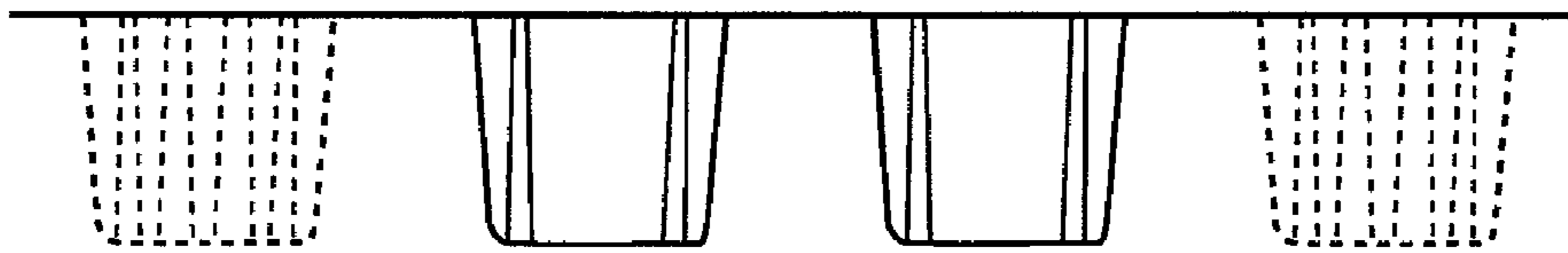


Fig. 6

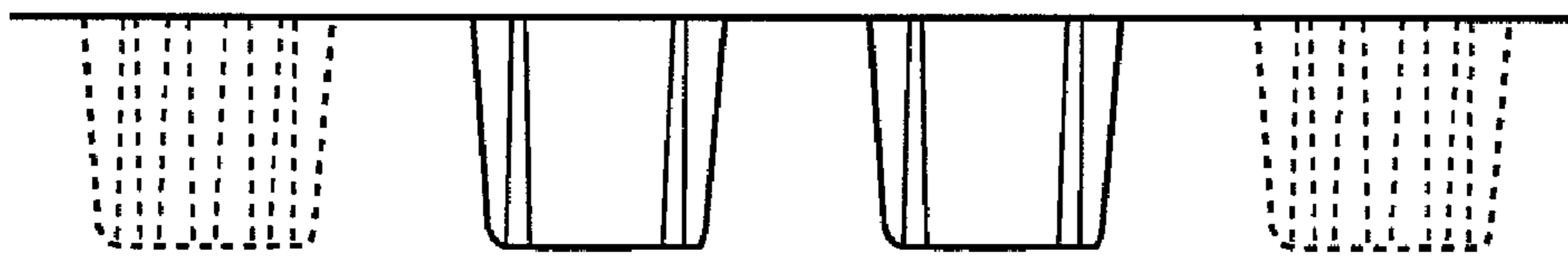


Fig. 7

UNITED STATES PATENT AND TRADEMARK OFFICE
CERTIFICATE OF CORRECTION

PATENT NO. : D628,449 S
APPLICATION NO. : 29/341957
DATED : December 7, 2010
INVENTOR(S) : Darrell A. Kulzer et al.

Page 1 of 1

It is certified that error appears in the above-identified patent and that said Letters Patent is hereby corrected as shown below:

On the title page item (75),

Inventor: Darrell A. Kulzer, Denver, CO (US)

should be corrected to read:

Inventors: Darrell A. Kulzer, Denver, CO (US); Gilbert Martinez, Firestone, CO (US)

Signed and Sealed this
Tenth Day of May, 2011

A handwritten signature in black ink that reads "David J. Kappos". The signature is written in a cursive, slightly slanted style.

David J. Kappos
Director of the United States Patent and Trademark Office