



US00D628448S

(12) **United States Design Patent**
Genatossio

(10) **Patent No.:** **US D628,448 S**

(45) **Date of Patent:** **** Dec. 7, 2010**

(54) **COOKING SPOON**

(75) **Inventor:** **Louis F. Genatossio**, Shrewsbury, MA (US)

(73) **Assignee:** **Le Creuset SAS** (FR)

(**) **Term:** **14 Years**

(21) **Appl. No.:** **29/349,749**

(22) **Filed:** **Apr. 29, 2010**

(51) **LOC (9) Cl.** **07-02**

(52) **U.S. Cl.** **D7/691**

(58) **Field of Classification Search** D7/688-692;
294/7, 8, 55; D32/40, 46; 15/245.1, 245,
15/236.01, 236.07; 30/324-328

See application file for complete search history.

(56) **References Cited**

U.S. PATENT DOCUMENTS

2,319,870	A *	5/1943	Larsen	294/55
3,804,450	A *	4/1974	Guenzel	294/55
4,524,513	A	6/1985	Intini, Jr.		
D360,561	S *	7/1995	Littledeer	D7/688
D388,286	S *	12/1997	Fox	D7/688
D473,762	S *	4/2003	Kerr	D7/688
D498,989	S *	11/2004	White et al.	D7/688
D587,537	S *	3/2009	Vendl et al.	D7/688
D606,372	S *	12/2009	Gorskey et al.	D7/688
2007/0050986	A1	3/2007	Foster et al.		

OTHER PUBLICATIONS

Le Creuset, S.A. "Jumbo Slotted Spatula Spoon." Products: Utensils and Accessories. Web. Mar. 1, 2010. <www.lecreuset.co.uk/en-us/Products/Utensils-and-Accessories/Jumbo-Slotted-Spatula/>.

Le Creuset, S.A. "Large Spatula Spoon." Products: Utensils and Accessories. Web. Mar. 1, 2010. <www.lecreuset.co.uk/en-us/Products/Utensils-and-Accessories/Large-Spatula-Spoon/>.

Le Creuset, S.A. "Small Spatula Spoon." Products: Utensils and Accessories. Web. Mar. 1, 2010. <www.lecreuset.co.uk/en-us/Products/Utensils-and-Accessories/Small-Spatula-Spoon/>.

* cited by examiner

Primary Examiner—Terry A Wallace

(74) *Attorney, Agent, or Firm*—Gary L. Bush; Andrew Kurth LLP

(57) **CLAIM**

The ornamental design for a cooking spoon, as shown and described.

DESCRIPTION

FIG. 1 is a perspective view of a cooking spoon showing our new design;

FIG. 2 is a front view thereof;

FIG. 3 is a side view thereof;

FIG. 4 is a bottom view thereof;

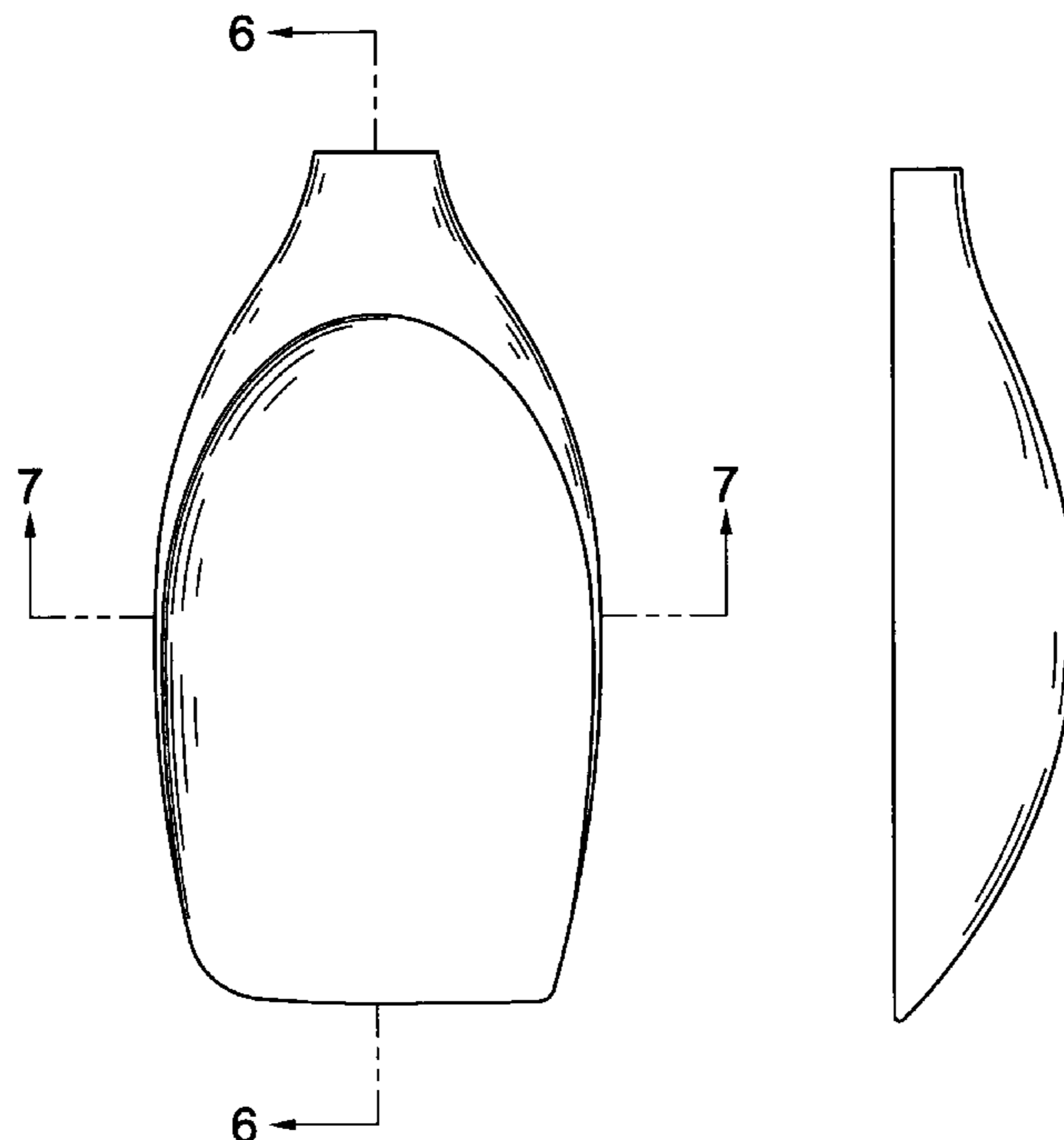
FIG. 5 is a top view thereof;

FIG. 6 is a cross-sectional view thereof taken along line 6—6 of FIG. 2; and,

FIG. 7 is a cross-sectional view thereof taken along line 7—7 of FIG. 2.

The broken lines in FIG. 1 show a handle connected to the cooking spoon, are for illustrative purposes only, and form no part of the claimed design. The handle has been omitted from FIGS. 2-7, which show only the claimed design.

1 Claim, 3 Drawing Sheets



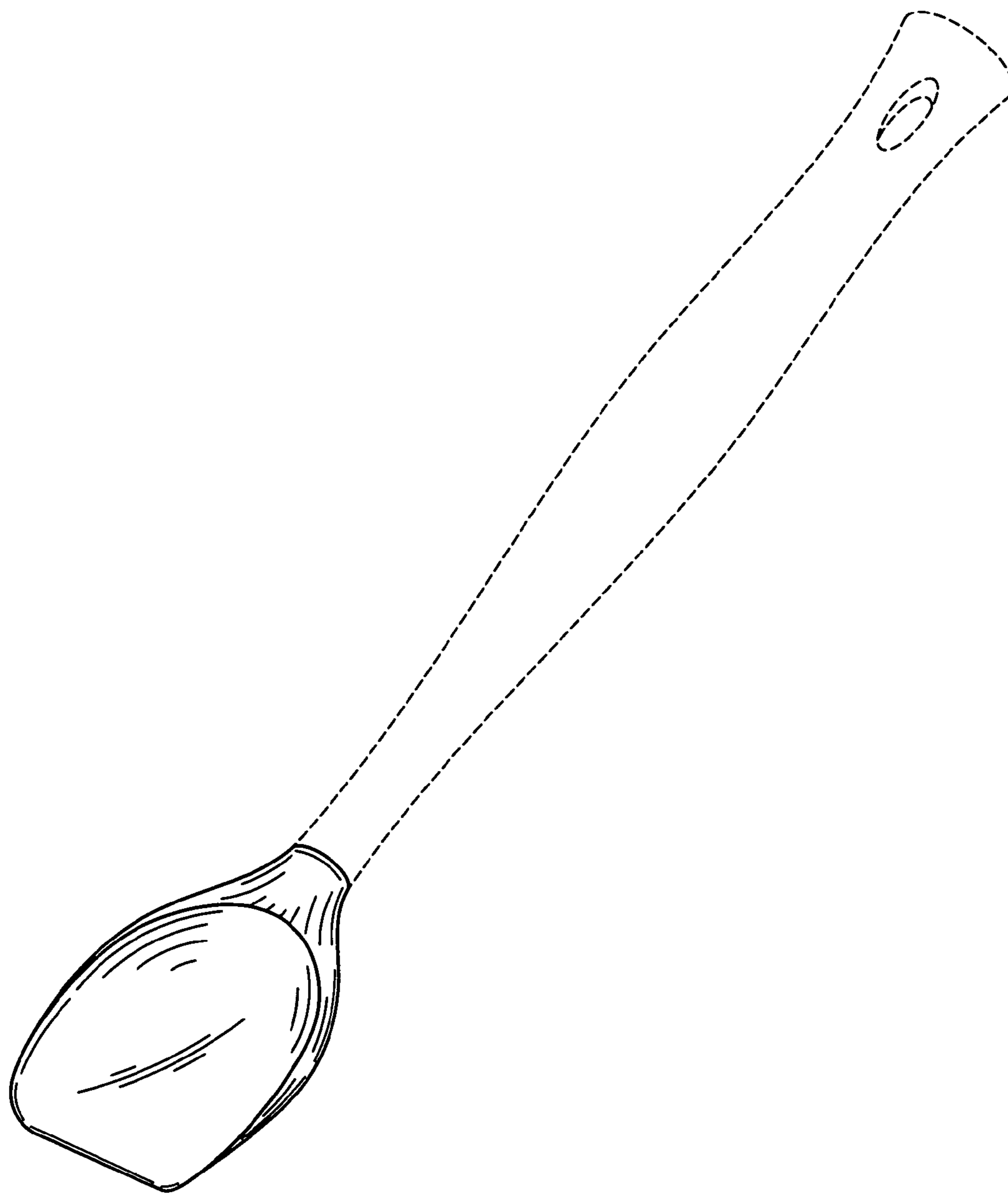


Fig. 1

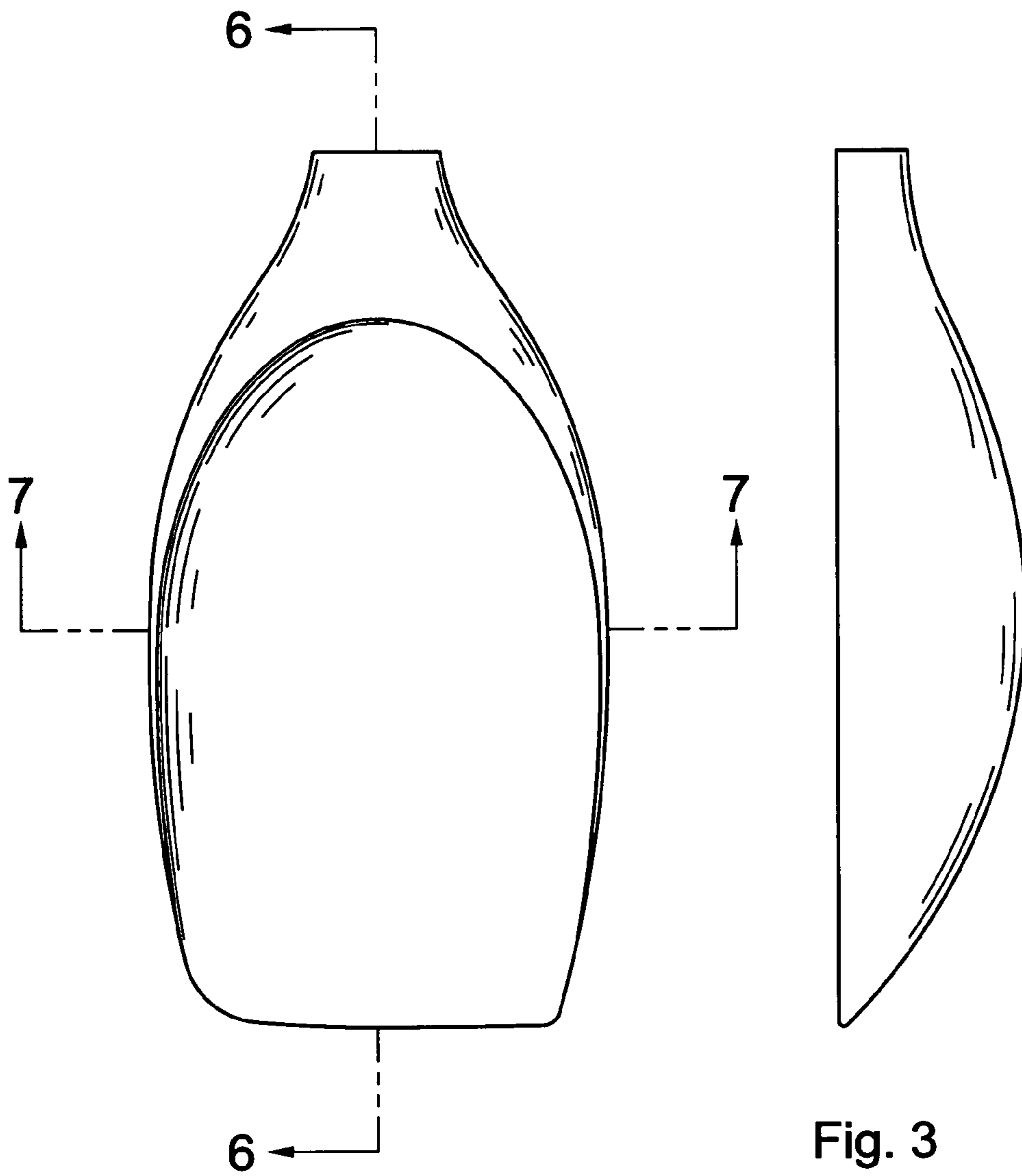


Fig. 2

Fig. 3

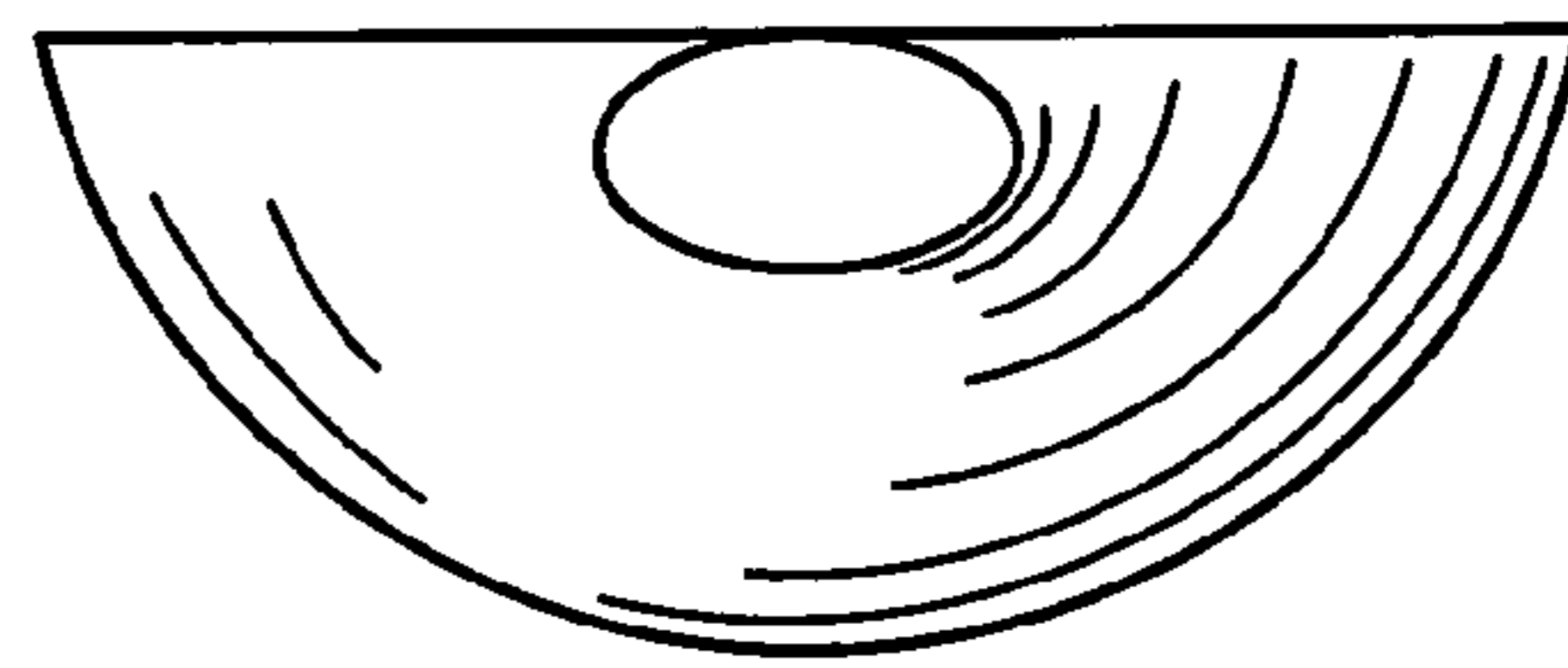
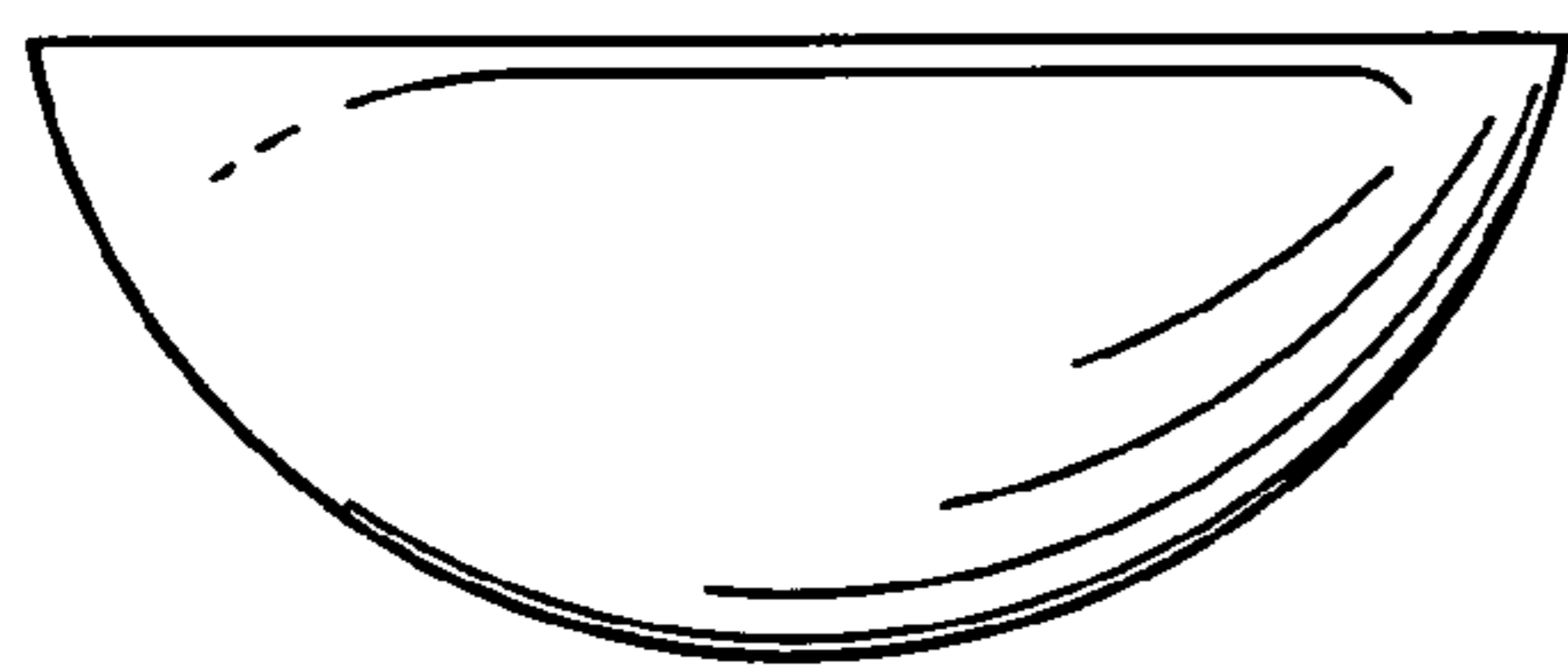


Fig. 4

Fig. 5

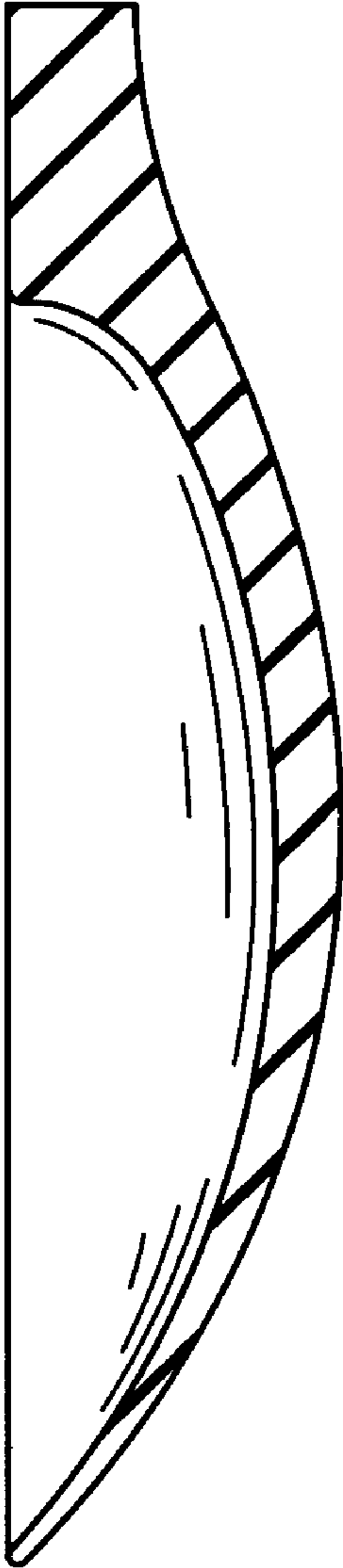


Fig. 6

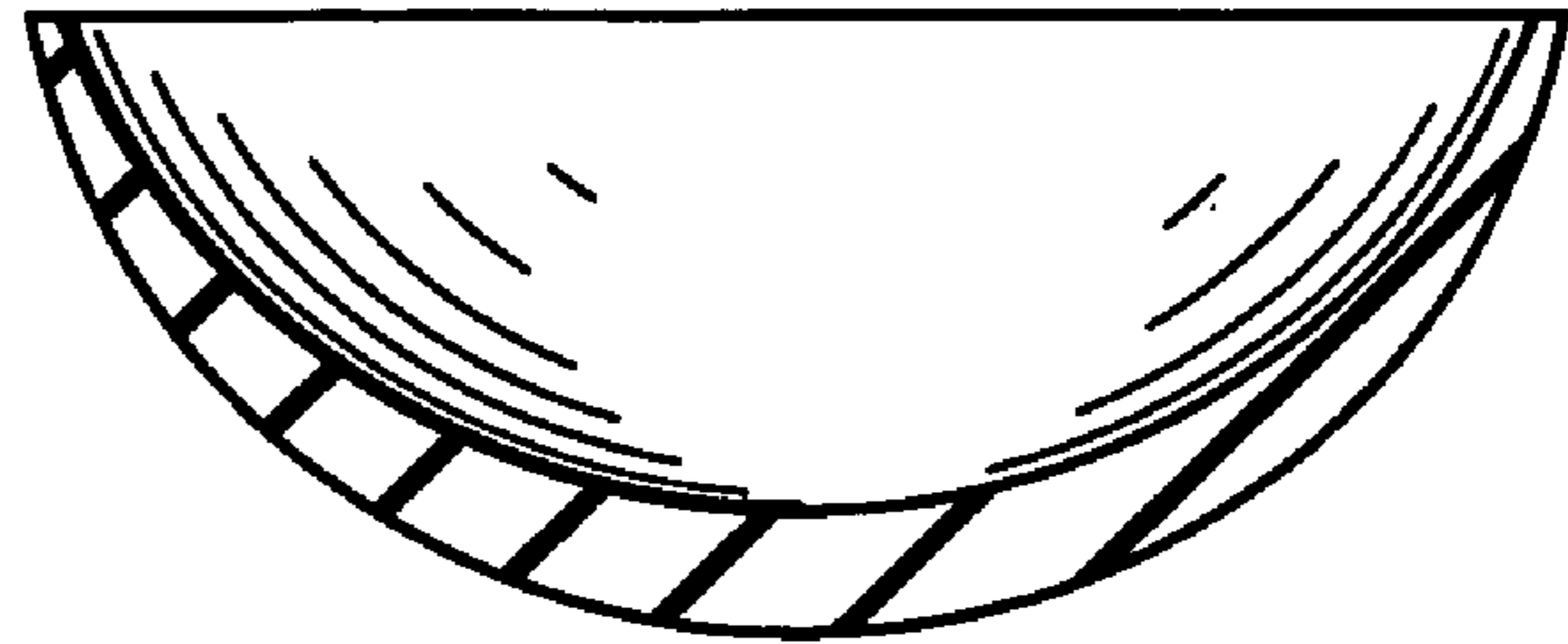


Fig. 7