



US00D628443S

(12) **United States Design Patent**
McTaggart

(10) **Patent No.:** **US D628,443 S**
(45) **Date of Patent:** **** Dec. 7, 2010**

(54) **EASY GRIP MIXING BOWL**

(76) Inventor: **Stephen Scott McTaggart**, P.O. Box
30103, Cayman Island, Grand Cayman
(KY) KY-1201

(**) Term: **14 Years**

(21) Appl. No.: **29/364,035**

(22) Filed: **Jun. 17, 2010**

Related U.S. Application Data

(63) Continuation-in-part of application No. 12/723,378,
filed on Mar. 12, 2010.

(51) **LOC (9) Cl.** **07-01**

(52) **U.S. Cl.** **D7/587; D7/545**

(58) **Field of Classification Search** D7/587,
D7/545, 586, 543, 546, 549, 550.1, 553.6,
D7/554.1, 584, 629, 354, 602, 360, 376;
D32/35, 53; D9/501, 500; 206/507, 557,
206/561-565; 220/574, 659, 23.83, 671,
220/573.1, 669, 23.87; 294/172

See application file for complete search history.

(56) **References Cited**

U.S. PATENT DOCUMENTS

131,075 A	9/1872	Andrews	
135,391 A	1/1873	Way	
559,905 A	5/1896	Pike	
621,306 A	3/1899	Kneeland et al.	
875,944 A *	1/1908	Nash	220/571
1,173,768 A	2/1916	Byerley	
1,612,383 A	12/1926	Lepeshkin	
2,121,165 A	6/1938	Slobodkin	
2,290,396 A	7/1942	Webster	
2,479,765 A	8/1949	Mower	
2,625,020 A	1/1953	Oliver	
2,625,274 A	1/1953	Clements	
2,868,246 A	1/1959	Nelson	
2,903,818 A	9/1959	Humke	
3,110,303 A	11/1963	Brownrigg	
3,198,377 A	8/1965	Buckley	

D286,726 S	11/1986	Daenen et al.	
4,967,918 A	11/1990	Long	
5,046,633 A	9/1991	Chung	
5,169,023 A	12/1992	Heiberg et al.	
5,203,836 A	4/1993	Brazis et al.	
5,392,948 A	2/1995	McEntee	
5,402,907 A	4/1995	Liu	
5,419,454 A	5/1995	Stowell et al.	
5,423,452 A	6/1995	Tardif	
D360,112 S	7/1995	McEntee	
5,626,256 A	5/1997	Onneweer	
D383,646 S *	9/1997	Jeppesen et al.	D7/584
5,813,638 A	9/1998	Morris	
6,003,720 A	12/1999	Morimoto et al.	
6,026,982 A	2/2000	Caruthers	
D442,831 S *	5/2001	Jacobs	D7/584
D447,003 S *	8/2001	Feil	D7/412
6,401,955 B1 *	6/2002	Yang	220/23.87
6,431,389 B1	8/2002	Jerstroem et al.	
6,581,795 B1	6/2003	Schülein et al.	
6,739,363 B2	5/2004	Walter et al.	
D493,671 S *	8/2004	Lebowitz	D7/583

(Continued)

Primary Examiner—Cynthia Underwood

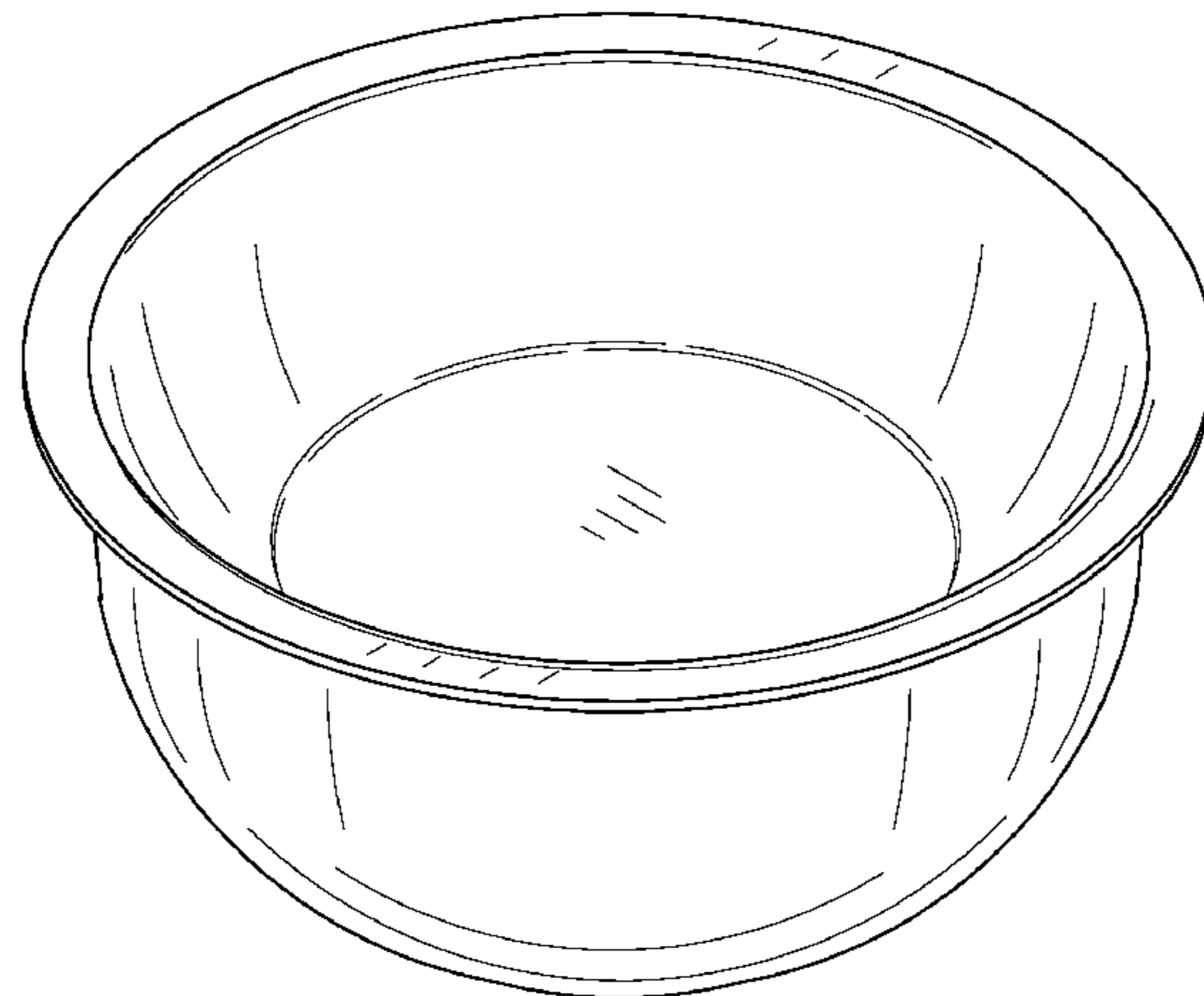
(57) **CLAIM**

The ornamental design for a easy grip mixing bowl, as shown and described.

DESCRIPTION

FIG. 1 is a top perspective view of a easy grip mixing bowl showing my new design;
FIG. 2 is a bottom perspective view thereof;
FIG. 3 is a side view (all sides are same view) thereof;
FIG. 4 is a cut away side view showing the inside compartment thereof;
FIG. 5 is a top view thereof; and,
FIG. 6 is a bottom view thereof.

1 Claim, 4 Drawing Sheets



US D628,443 S

Page 2

U.S. PATENT DOCUMENTS

6,789,466	B2	9/2004	Morgan				
D509,106	S *	9/2005	de Groote et al.	D7/587			
D517,178	S *	3/2006	Bickford	D23/293.1			
D565,356	S *	4/2008	Mellen et al.	D7/586			
					7,350,657	B2	4/2008 Eaton et al.
					D584,610	S *	1/2009 Eberhardt
					2006/0285428	A1 *	12/2006 Paradise et al.
					2008/0067180	A1	3/2008 Schanche
							* cited by examiner

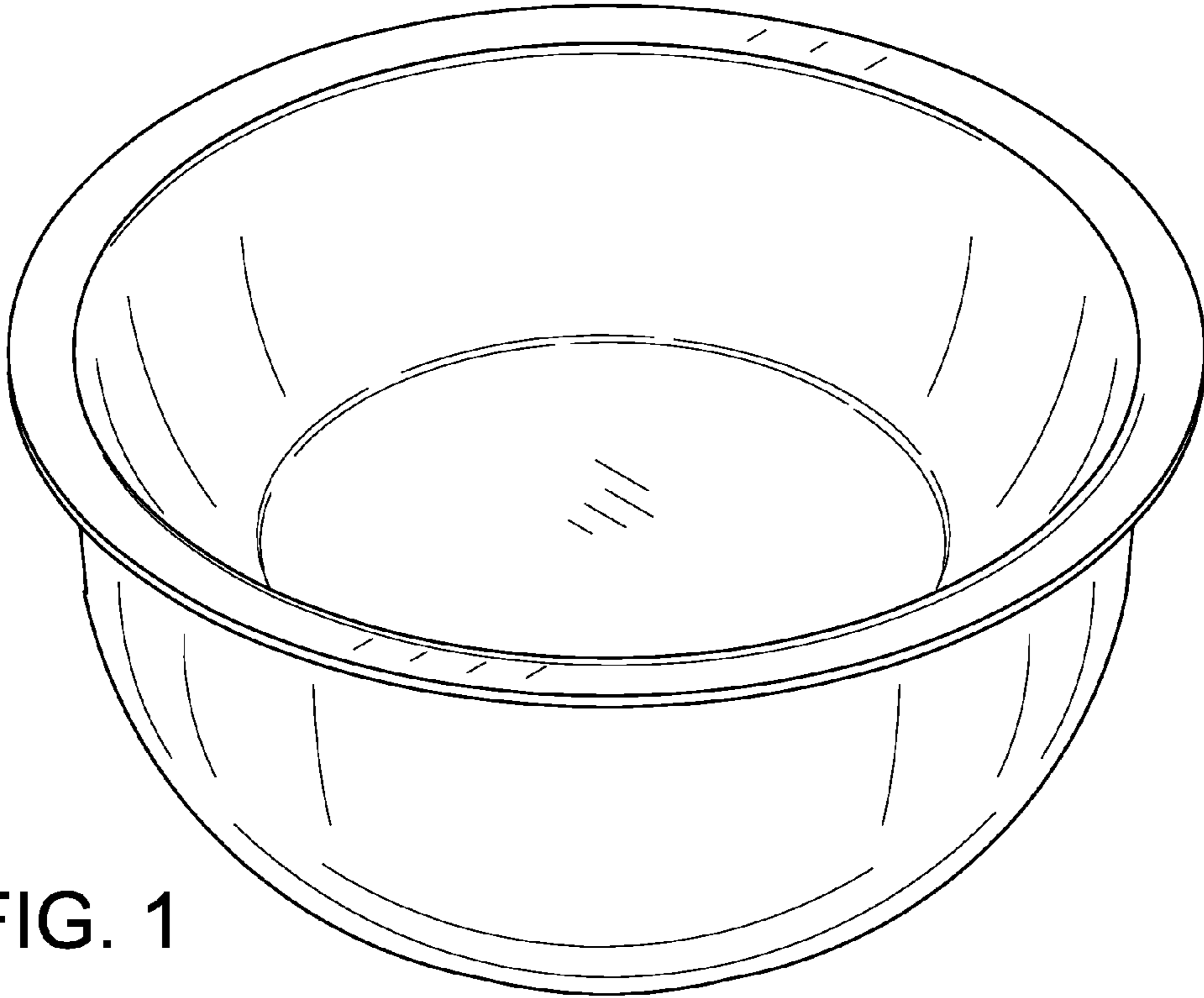


FIG. 1

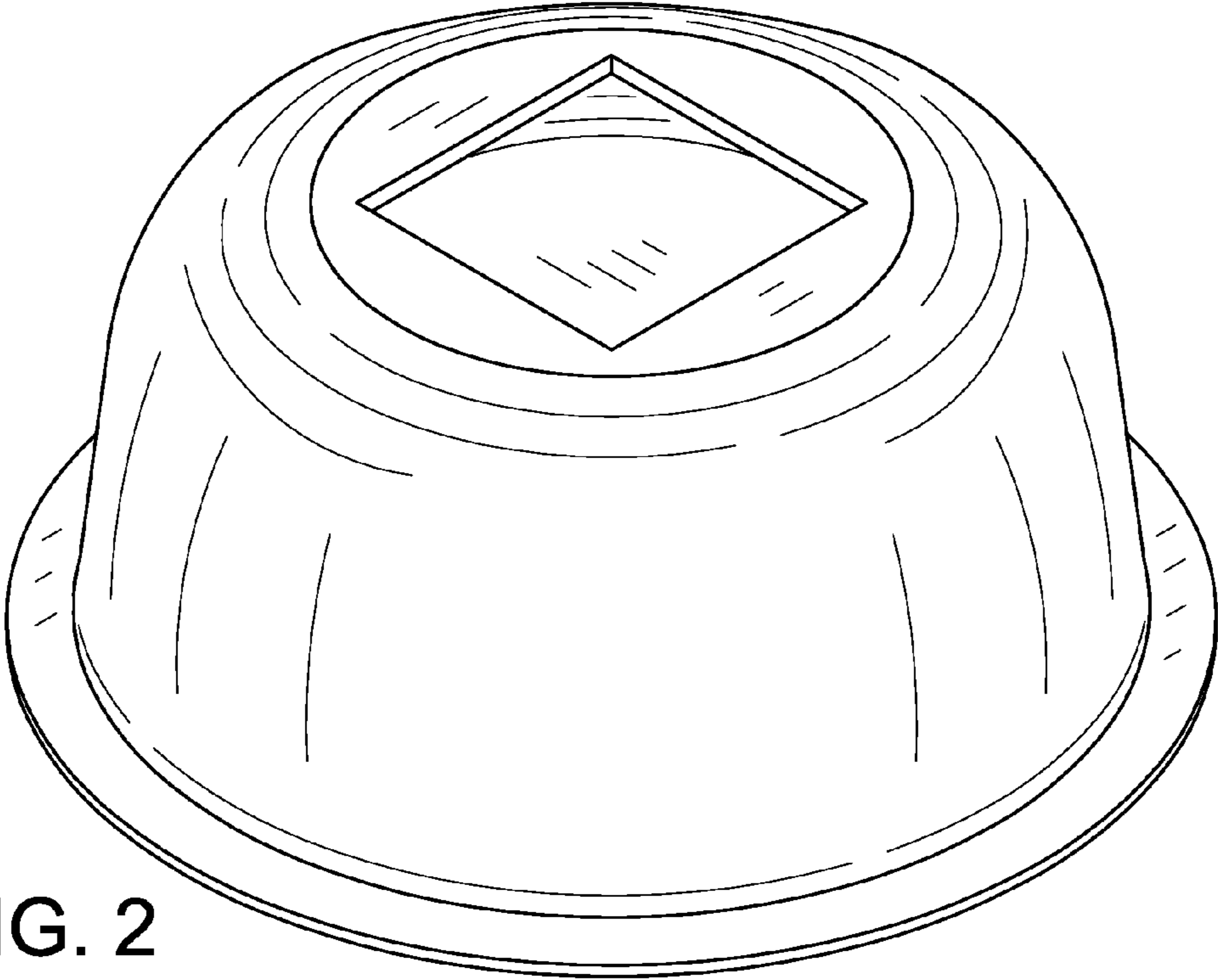


FIG. 2



FIG. 3

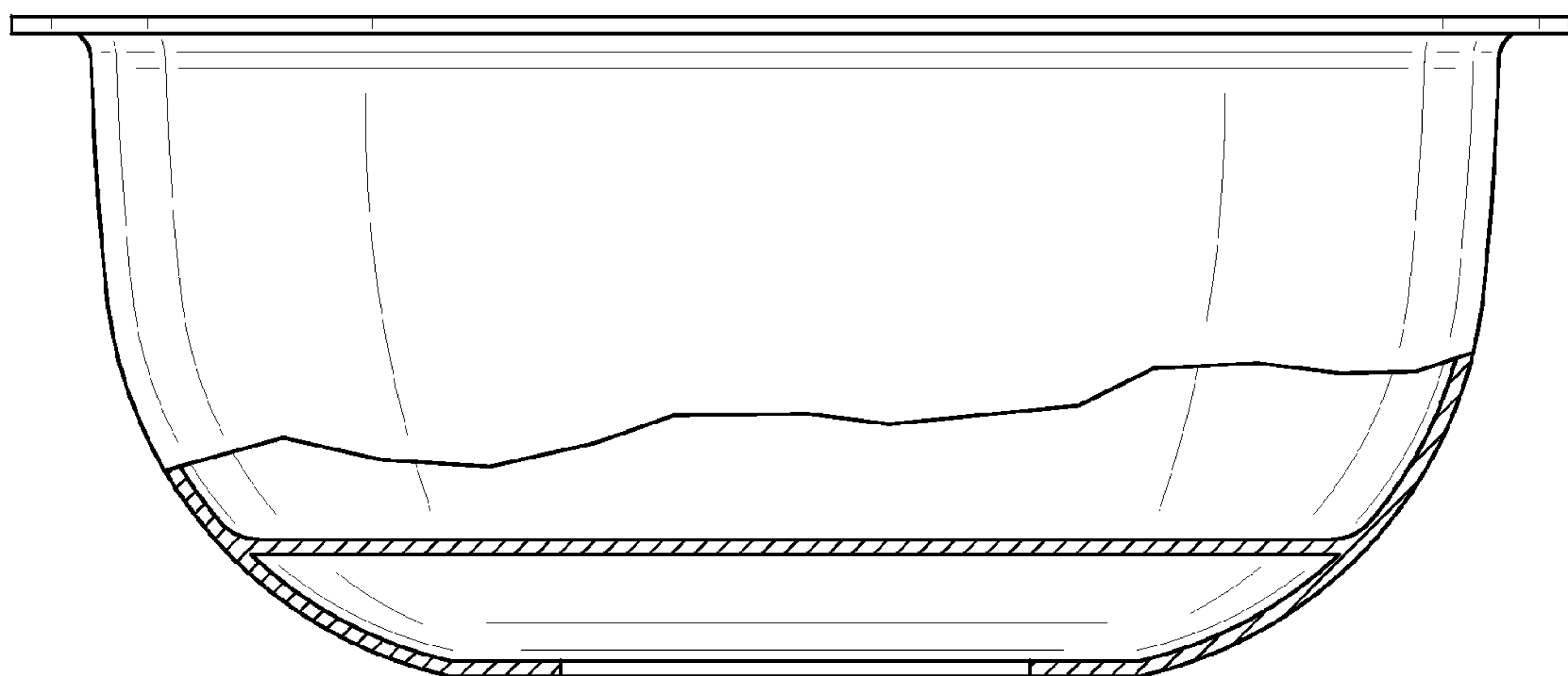


FIG. 4

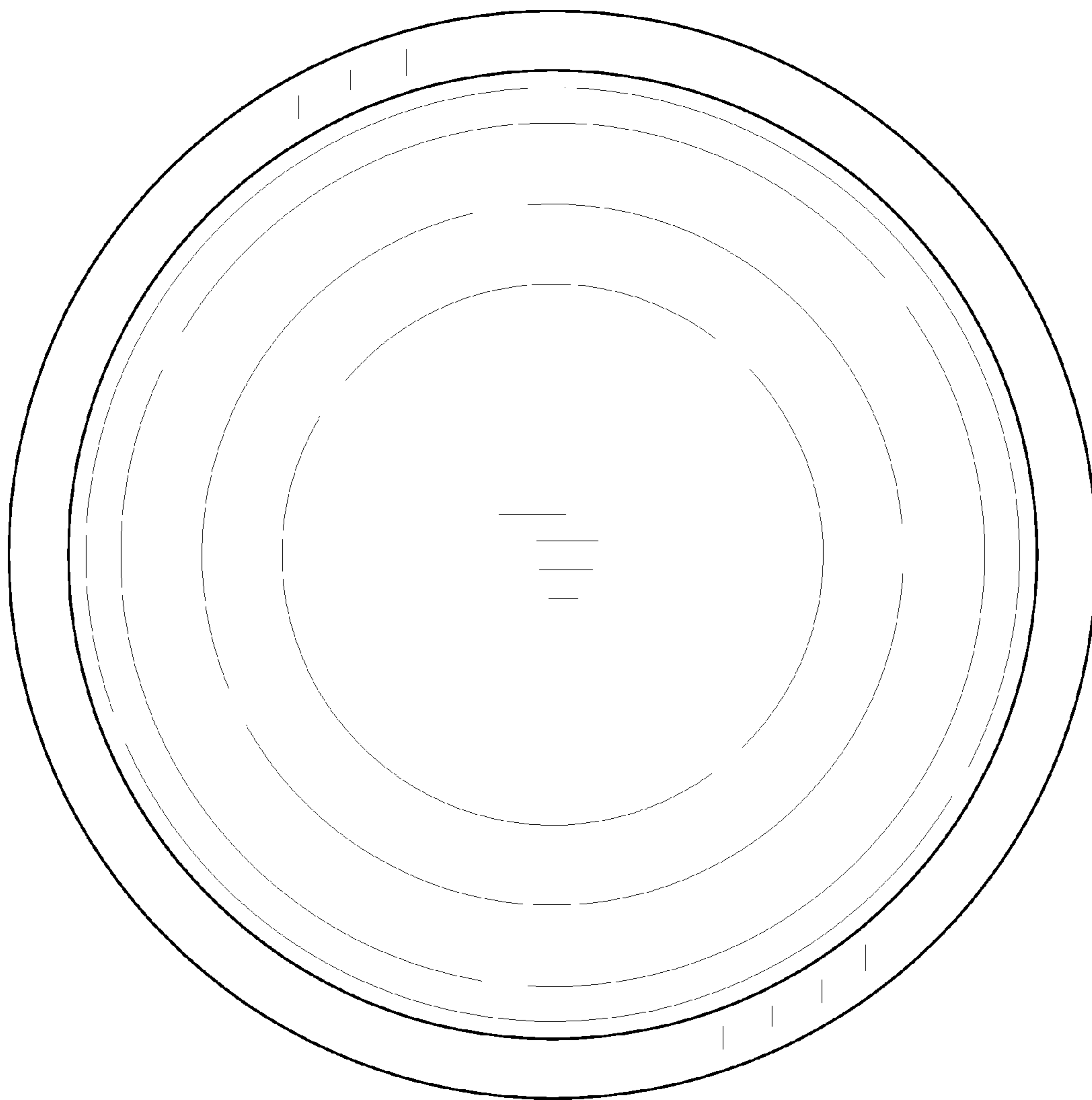


FIG. 5

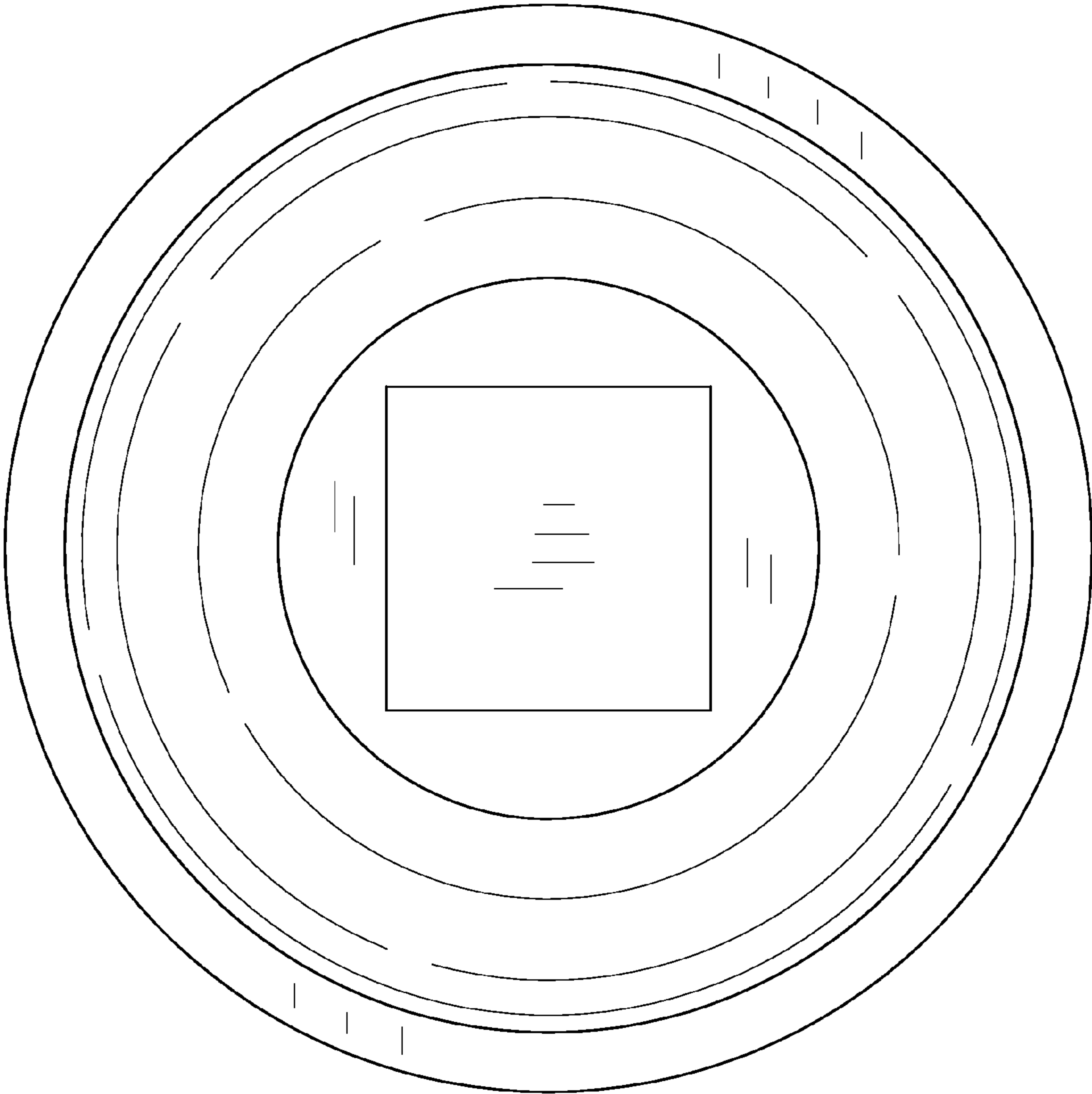


FIG. 6