



US00D628439S

(12) **United States Design Patent**
LeVere

(10) **Patent No.:** **US D628,439 S**
(45) **Date of Patent:** **** Dec. 7, 2010**

(54) **THERMO MUG**

(76) **Inventor:** **T. Earl LeVere**, 250 West St., Suite 500,
Columbus, OH (US) 43215

(**) **Term:** **14 Years**

(21) **Appl. No.:** **29/348,492**

(22) **Filed:** **Jan. 12, 2010**

(51) **LOC (9) Cl.** **07-01**

(52) **U.S. Cl.** **D7/515; D7/514; D7/901;**
D7/533

(58) **Field of Classification Search** **D7/507,**
D7/515, 514, 517, 520, 533, 536, 901; 215/391,
215/383, 374; 206/217; 220/738

See application file for complete search history.

(56) **References Cited**

U.S. PATENT DOCUMENTS

4,932,542	A *	6/1990	Chen et al.	215/383
5,029,700	A *	7/1991	Chen	206/217
D328,688	S *	8/1992	Palmer et al.	D7/511
D349,627	S *	8/1994	Rigsby	D7/515
D354,199	S *	1/1995	Rigsby	D7/515
D359,656	S *	6/1995	Hurst et al.	D7/515
D396,384	S *	7/1998	Slaten et al.	D7/622
D400,399	S *	11/1998	Hurst	D7/515
D416,756	S *	11/1999	Hurst	D7/515
D494,010	S *	8/2004	Yuen	D7/511
D542,093	S *	5/2007	Meehan	D7/507

D544,301	S *	6/2007	Tien	D7/510
D558,524	S *	1/2008	Schreitmuller	D7/523
D560,435	S *	1/2008	Meehan	D7/510
D566,574	S *	4/2008	Ayinde	D9/600
D587,070	S *	2/2009	Thompson	D7/515
D591,109	S *	4/2009	Thompson	D7/515
D598,242	S *	8/2009	Kusher	D7/507
D601,851	S *	10/2009	Lopez	D7/515
D602,741	S *	10/2009	Xiurong et al.	D7/510
D603,219	S *	11/2009	Lopez	D7/515
D604,562	S *	11/2009	Lopez	D7/515
D606,808	S *	12/2009	Germaan	D7/510

* cited by examiner

Primary Examiner—Marianne Pandozzi

(74) *Attorney, Agent, or Firm*—Roger A. Gilcrest

(57) **CLAIM**

The ornamental design for a thermo mug, as shown and described.

DESCRIPTION

FIG. 1 is perspective view of my invention;

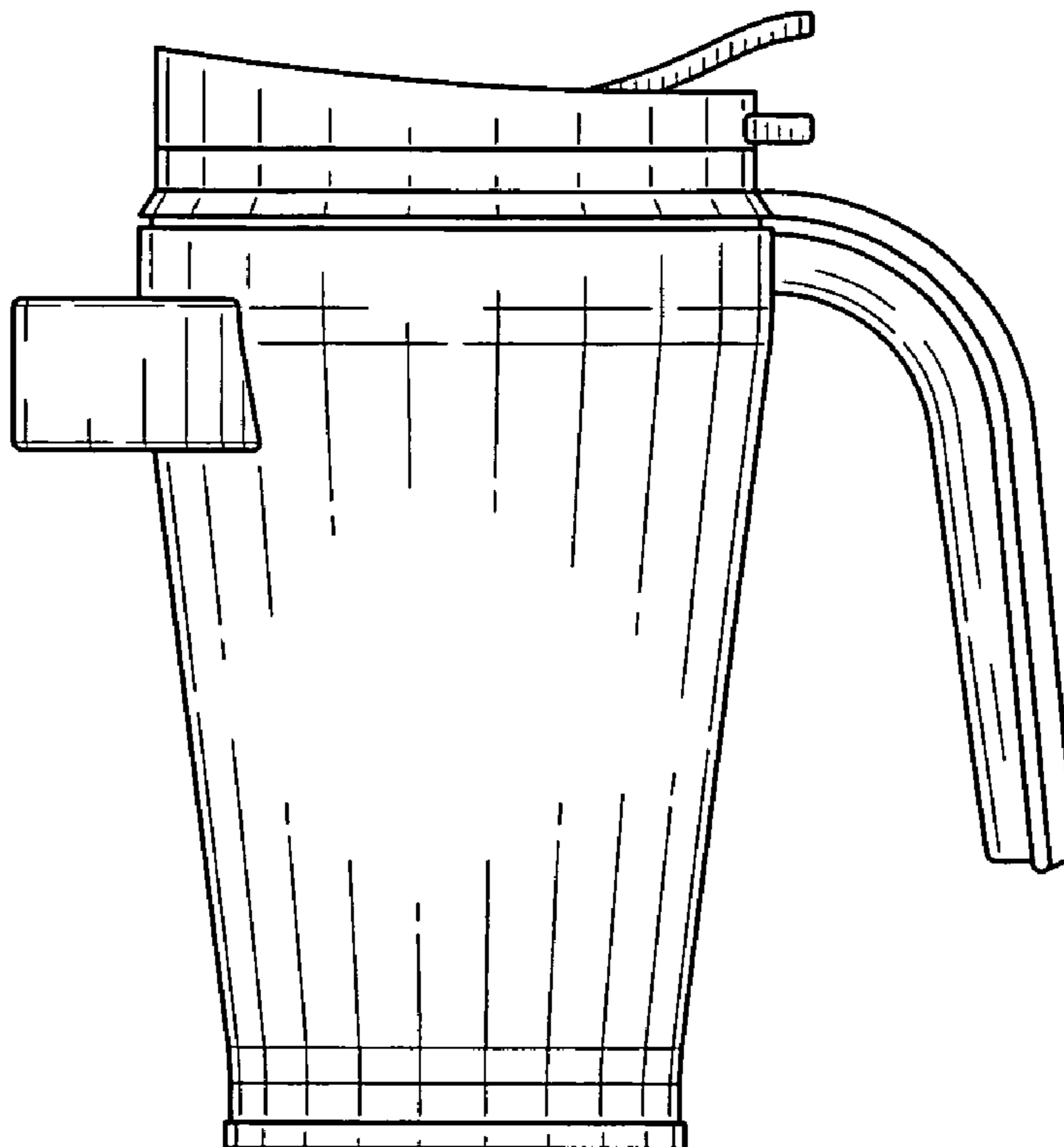
FIG. 2 is a right side view thereof;

FIG. 3 is a left side view thereof;

FIG. 4 is a front view thereof, a rear view being a minor image thereof; and,

FIG. 5 is a bottom view thereof.

1 Claim, 2 Drawing Sheets



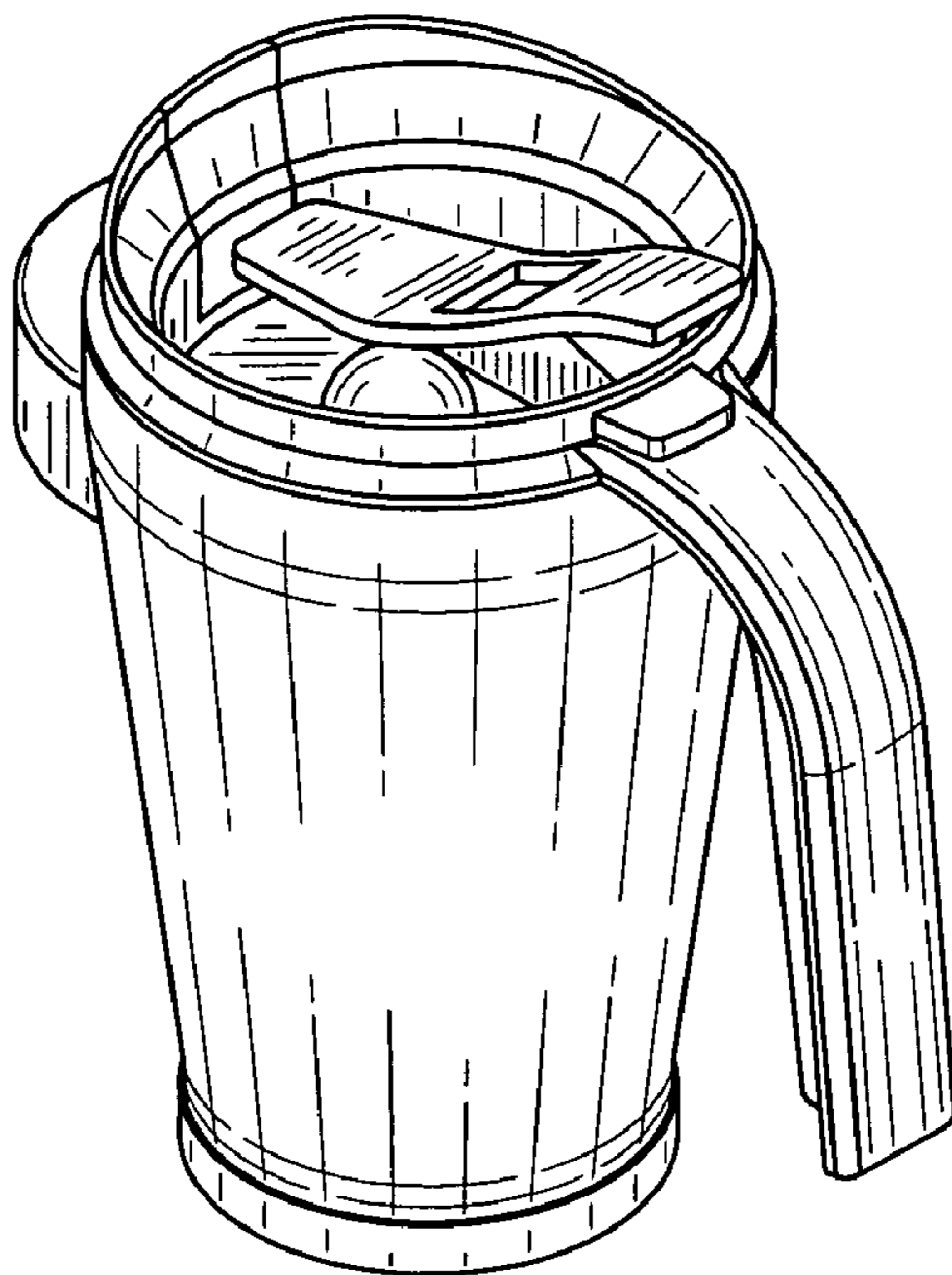


FIG-1

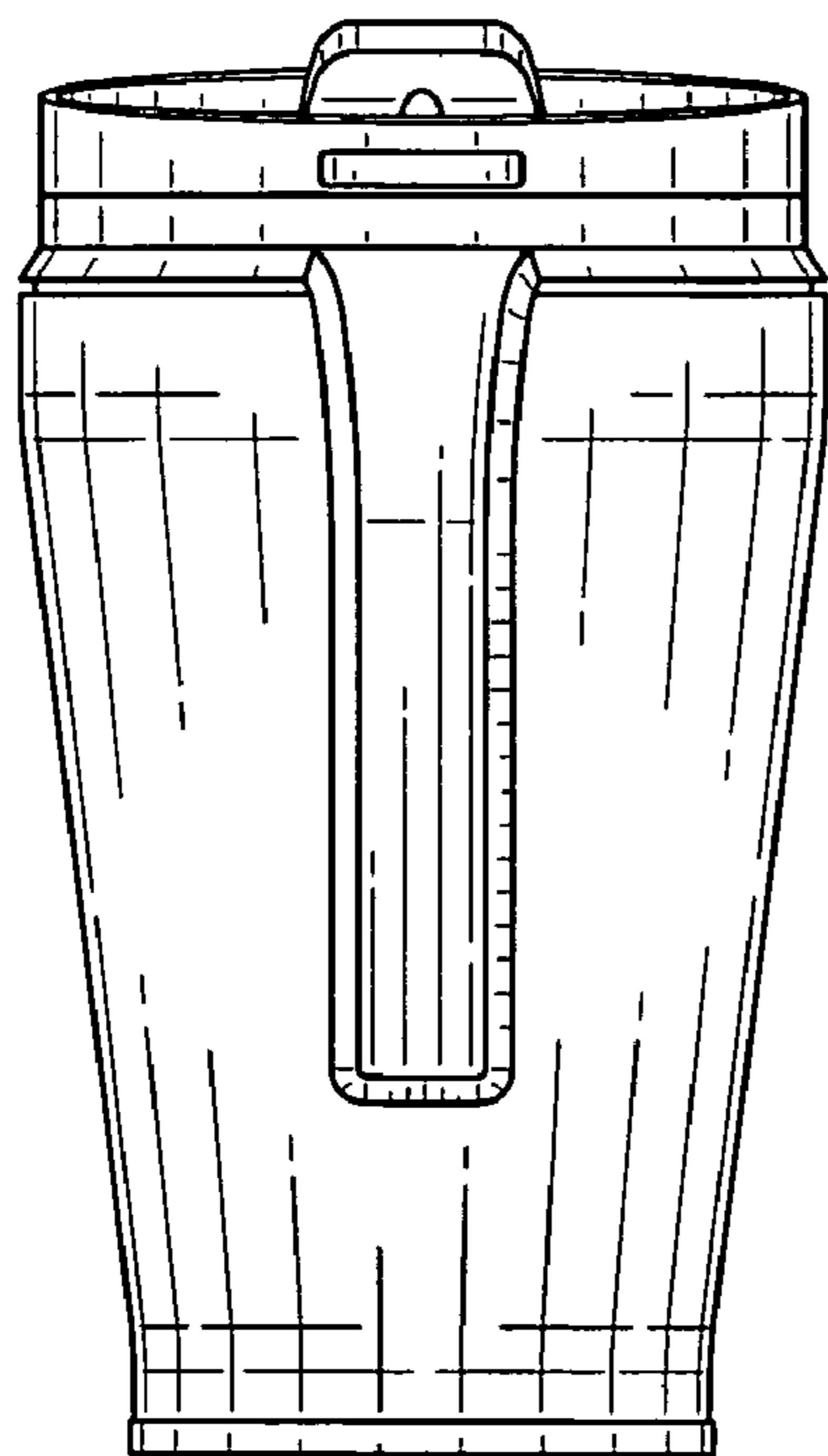


FIG-2

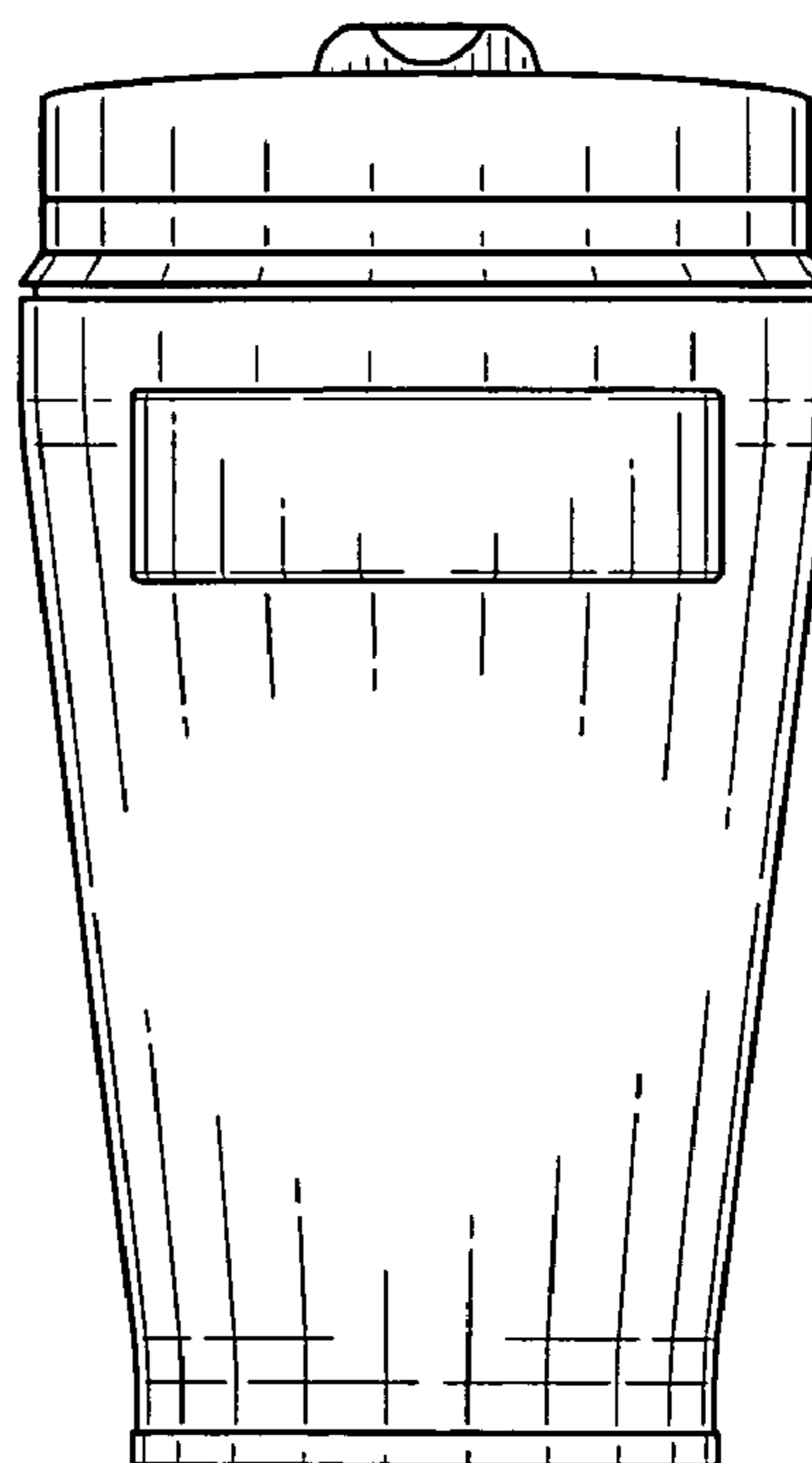


FIG-3

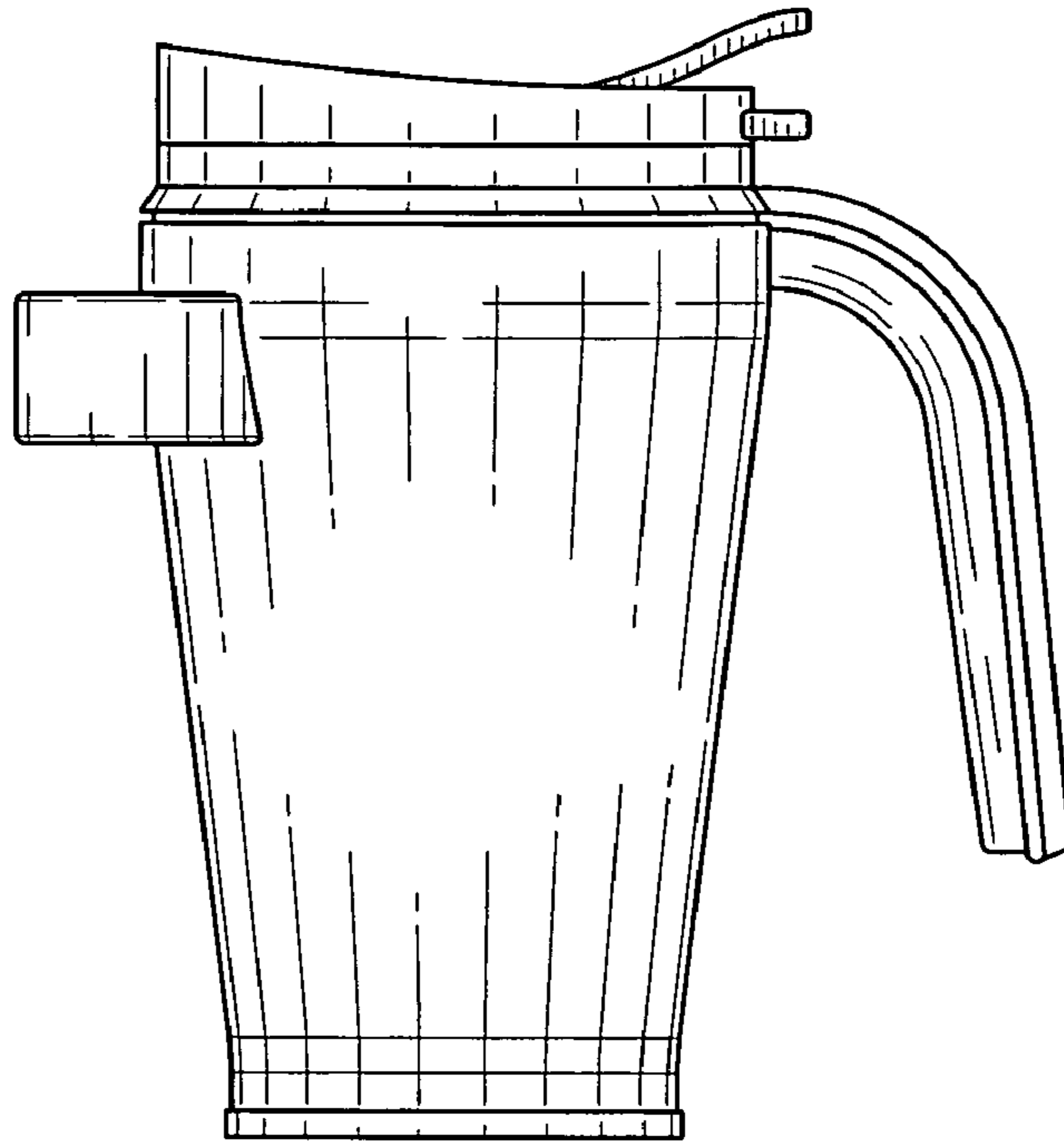


FIG-4

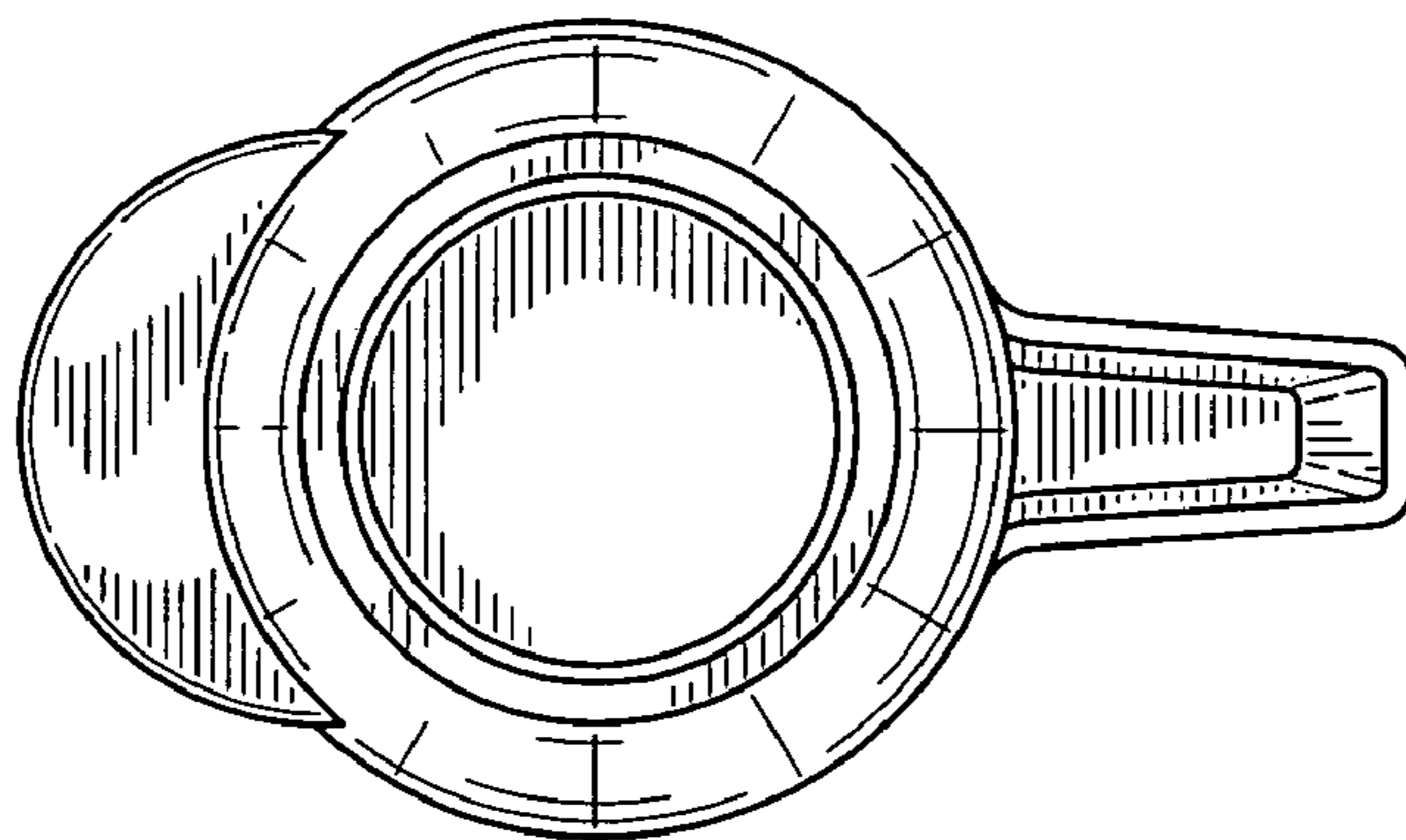


FIG-5