



US00D628431S

(12) **United States Design Patent**
Funnell et al.

(10) **Patent No.:** **US D628,431 S**

(45) **Date of Patent:** **** Dec. 7, 2010**

(54) **GAS COOKTOP AND/OR GRATE THEREOF**

D502,632 S * 3/2005 Becker et al. D7/408
D524,601 S * 7/2006 Vetter D7/408
D550,031 S * 9/2007 Pino et al. D7/408

(75) Inventors: **Richard Funnell**, New Bern, NC (US);
Graham Sadtler, New Bern, NC (US)

* cited by examiner

(73) Assignee: **BSH Home Appliances Corporation**,
Huntington Beach, CA (US)

Primary Examiner—Catherine R Oliver

(74) *Attorney, Agent, or Firm*—James E. Howard; Andre
Pallapies

(**) Term: **14 Years**

(57) **CLAIM**

(21) Appl. No.: **29/351,037**

The ornamental design for a gas cooktop and/or grate thereof,
as shown and described.

(22) Filed: **Nov. 30, 2009**

(51) **LOC (9) Cl.** **07-02**

(52) **U.S. Cl.** **D7/346**

(58) **Field of Classification Search** D7/346–348,
D7/336–339, 402–407; 126/39 R, 39 BA,
126/39 G, 40, 211, 214 R, 214 C
See application file for complete search history.

DESCRIPTION

FIG. 1 is a front perspective view of a gas cooktop from the
top, right corner, according to an embodiment of our design;

FIG. 2 is a front view thereof;

FIG. 3 is a rear view thereof

FIG. 4 is a top view thereof; and,

FIG. 5 is a right side view thereof, with the left side view
thereof being a mirror image thereof.

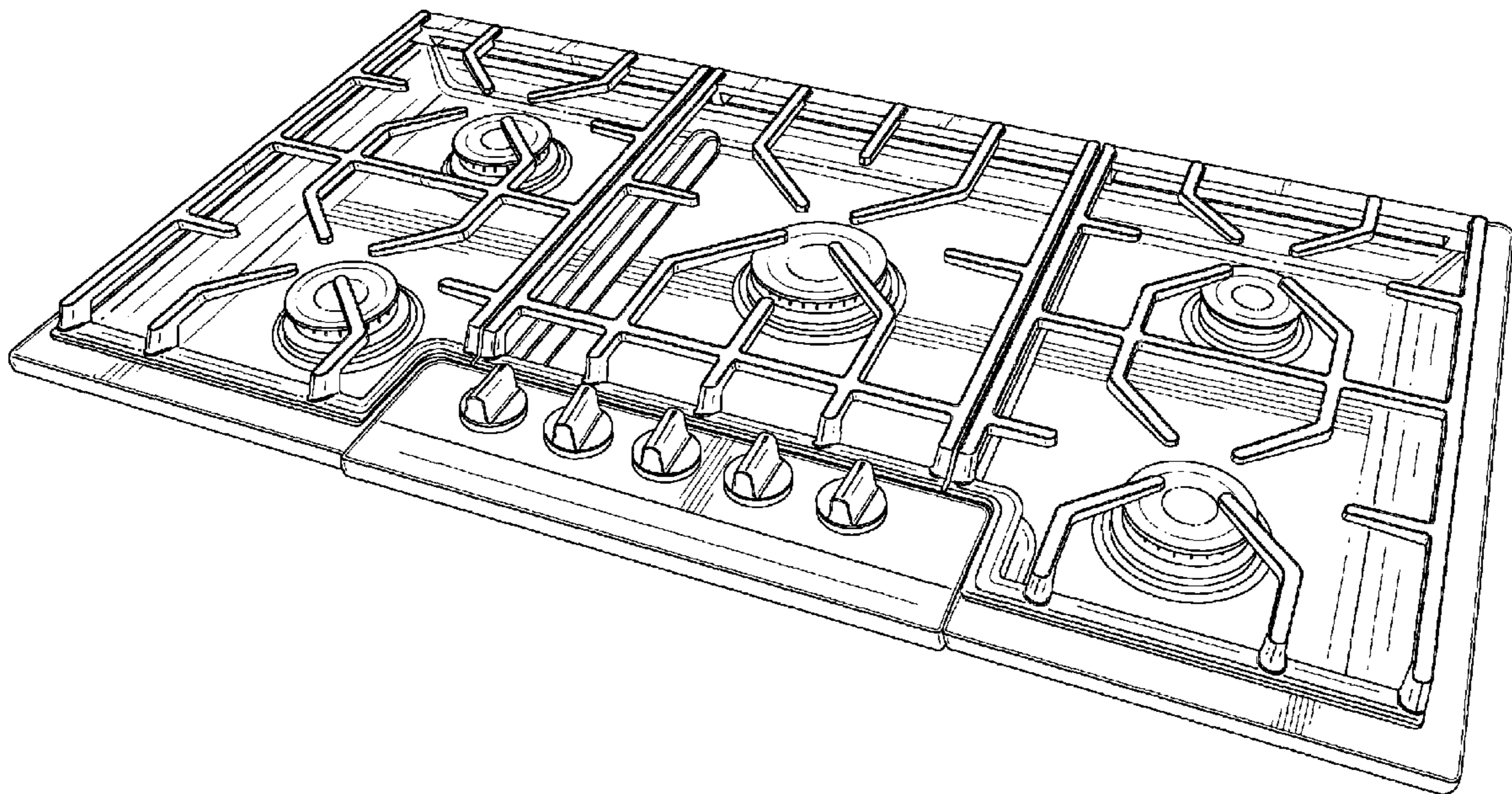
The bottom view of each design is not shown and is not
claimed.

(56) **References Cited**

U.S. PATENT DOCUMENTS

D461,090 S * 8/2002 Rummel et al. D7/346
D468,161 S * 1/2003 Goodwin D7/408
D489,933 S * 5/2004 Nichols et al. D7/346
D495,202 S * 8/2004 Becker et al. D7/408

1 Claim, 4 Drawing Sheets



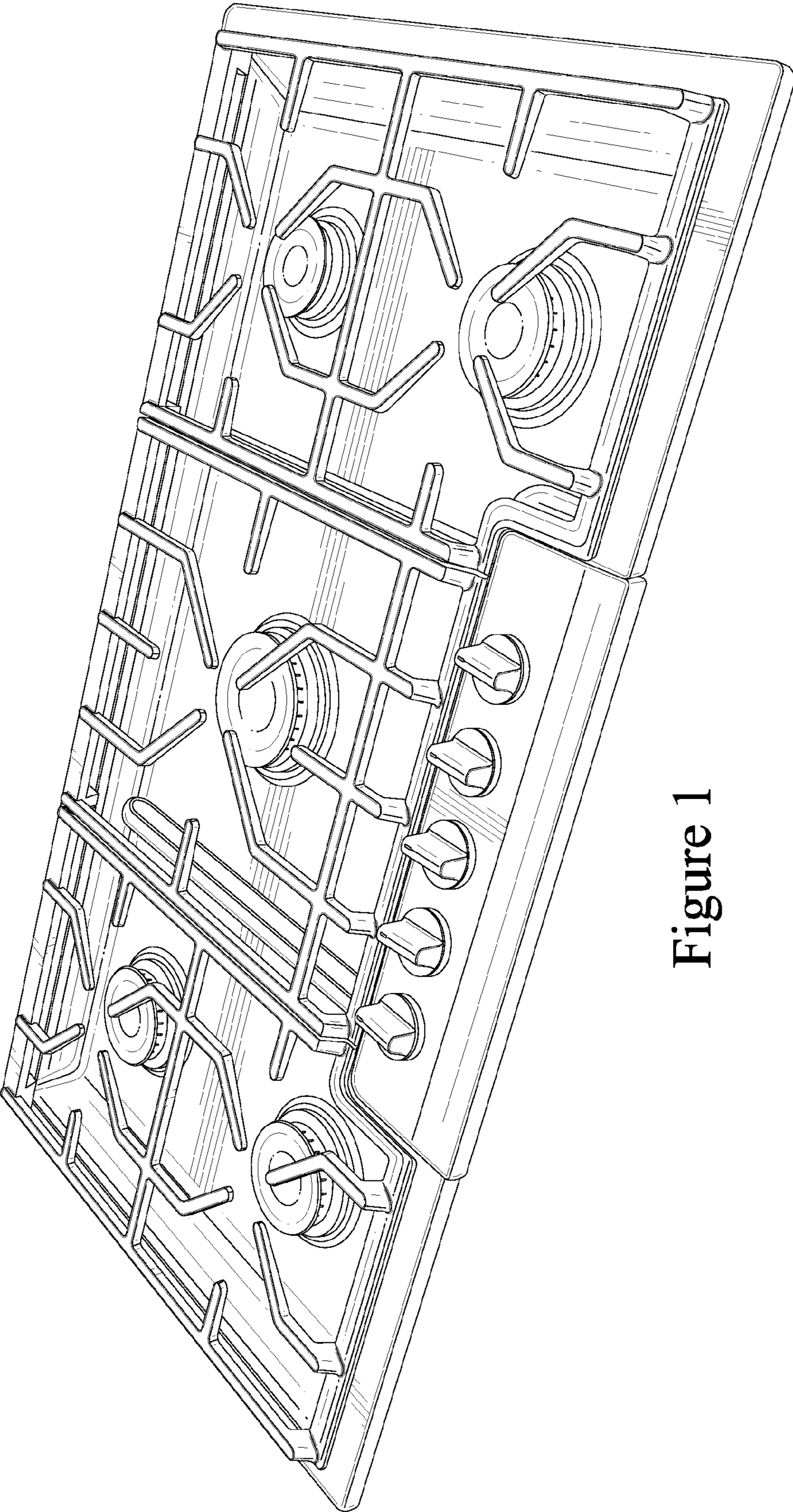


Figure 1

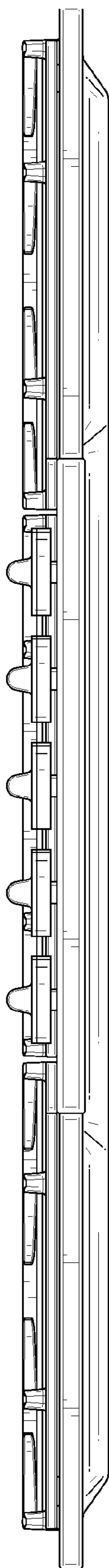


Figure 2

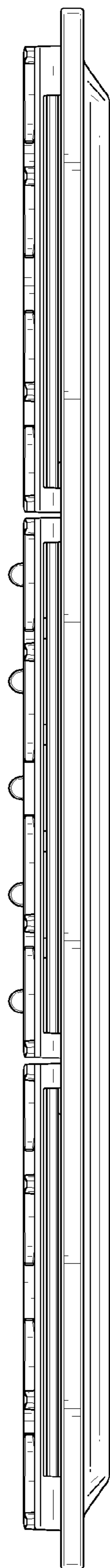


Figure 3

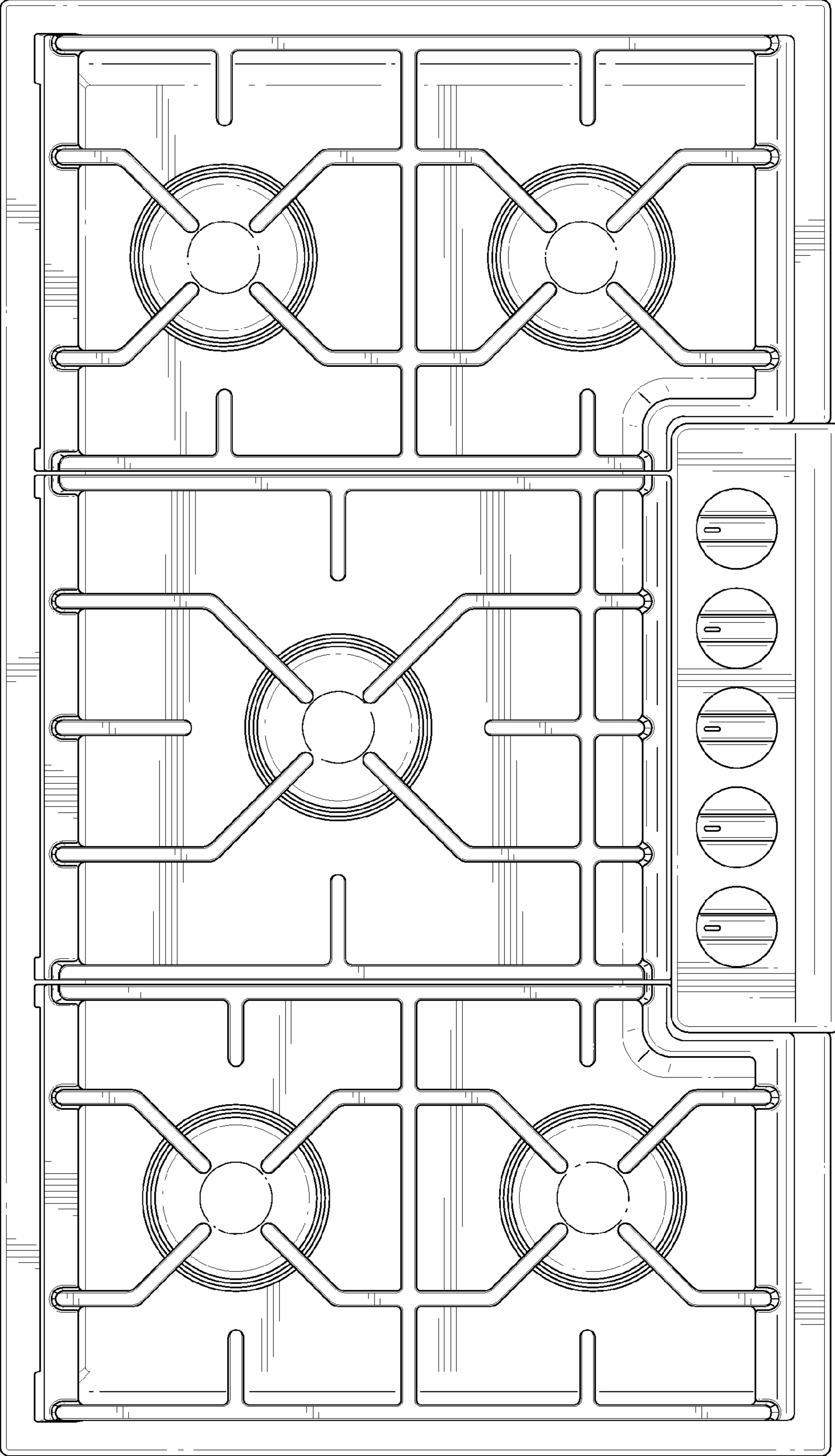


Figure 4

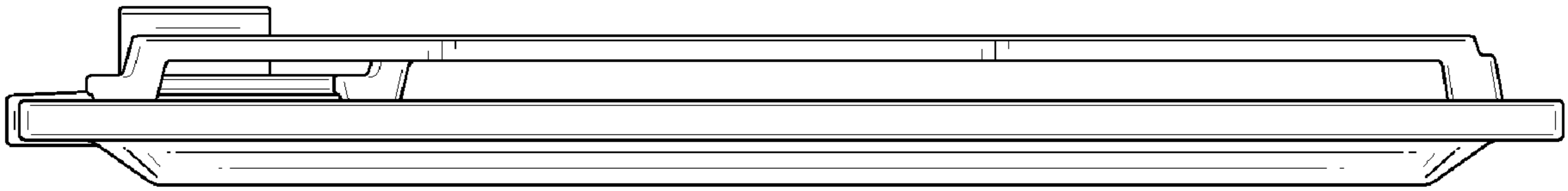


Figure 5