



US00D628429S

(12) **United States Design Patent**
Ye

(10) **Patent No.:** **US D628,429 S**

(45) **Date of Patent:** **** Dec. 7, 2010**

(54) **BREAD TOASTER**

(75) Inventor: **Luming Ye**, Fujian Province (CN)

(73) Assignee: **Tsann Kuen (Zhangzhou) Enterprise Co., Ltd.**, Zhangzhou (CN)

(**) Term: **14 Years**

(21) Appl. No.: **29/362,198**

(22) Filed: **May 21, 2010**

(30) **Foreign Application Priority Data**

Dec. 10, 2009 (CN) 2009 3 0328555

(51) **LOC (9) Cl.** **07-02**

(52) **U.S. Cl.** **D7/330**

(58) **Field of Classification Search** D7/323,
D7/328-334, 340-341, 346, 354-365, 367,
D7/390, 402, 405-411; 99/326-327, 331-332,
99/341, 357, 375, 385-389, 392; 219/385-388,
219/405, 443.1, 450.1, 489, 492, 532; 426/233,
426/523

See application file for complete search history.

(56) **References Cited**

U.S. PATENT DOCUMENTS

2,717,951 A * 9/1955 Swicker 219/532
D193,599 S * 9/1962 De Fano D7/330
D218,210 S * 7/1970 Felske D7/330
3,866,525 A * 2/1975 Oxel 99/357

5,054,382 A * 10/1991 Ward et al. 99/327
D345,074 S * 3/1994 Myers et al. D7/330
D409,434 S * 5/1999 Gardner D7/330
6,205,910 B1 * 3/2001 Vaughn 99/326
D554,931 S * 11/2007 Genslak et al. D7/330
D557,061 S * 12/2007 Genslak et al. D7/330
D590,653 S * 4/2009 Lavy D7/330

* cited by examiner

Primary Examiner—Ricky Pham

(74) *Attorney, Agent, or Firm*—Rabin & Berdo, P.C.

(57) **CLAIM**

The ornamental design for a bread toaster, as shown and described.

DESCRIPTION

FIG. 1 is a front view of a bread toaster showing my new design;

FIG. 2 is a rear view thereof;

FIG. 3 is a left side view thereof;

FIG. 4 is a right side view thereof;

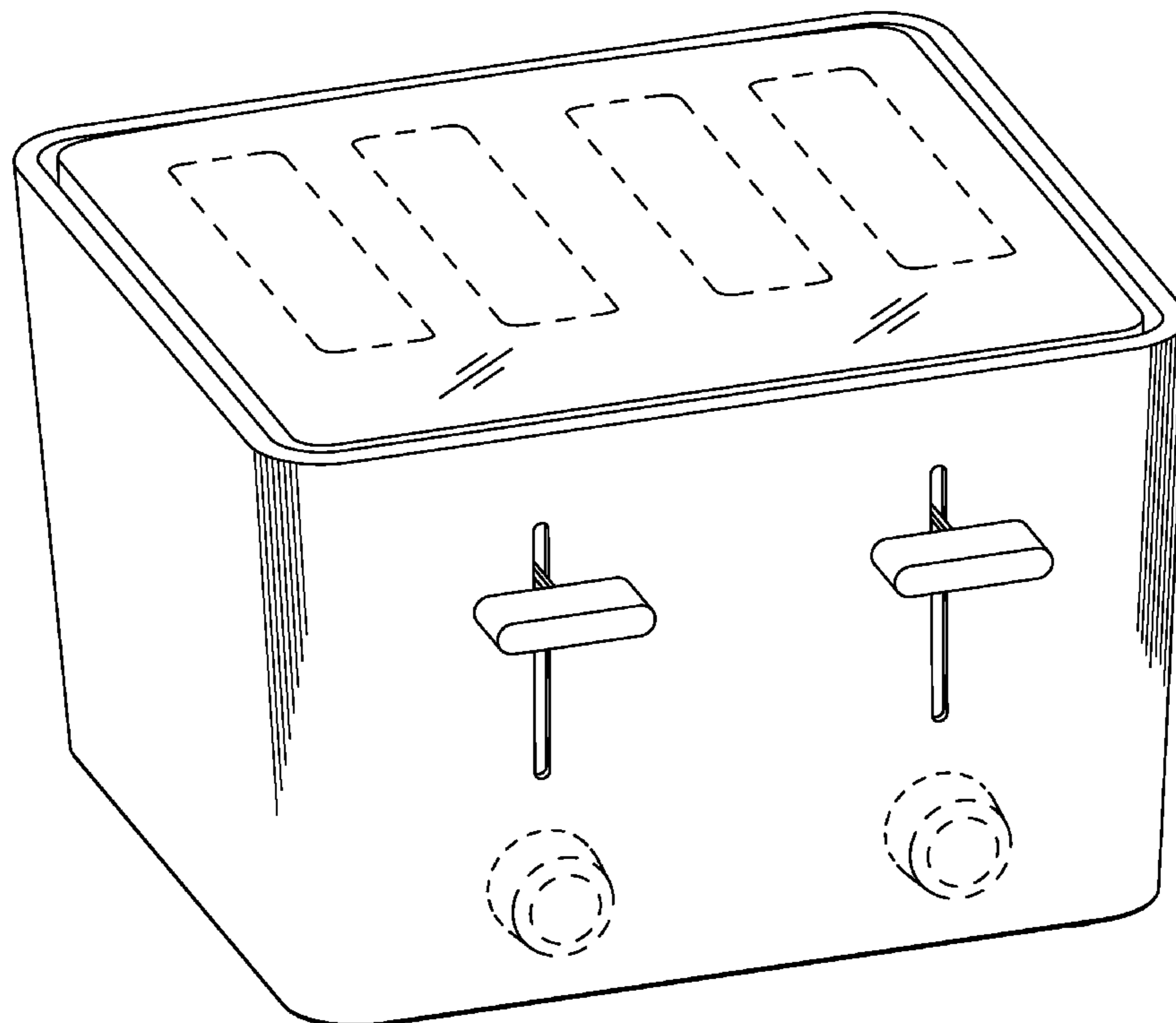
FIG. 5 is a top plan view thereof;

FIG. 6 is a bottom plan view thereof; and,

FIG. 7 is a perspective view thereof.

The broken line showing in Figures is for illustrative purposes only and forms no part of the claimed design.

1 Claim, 7 Drawing Sheets



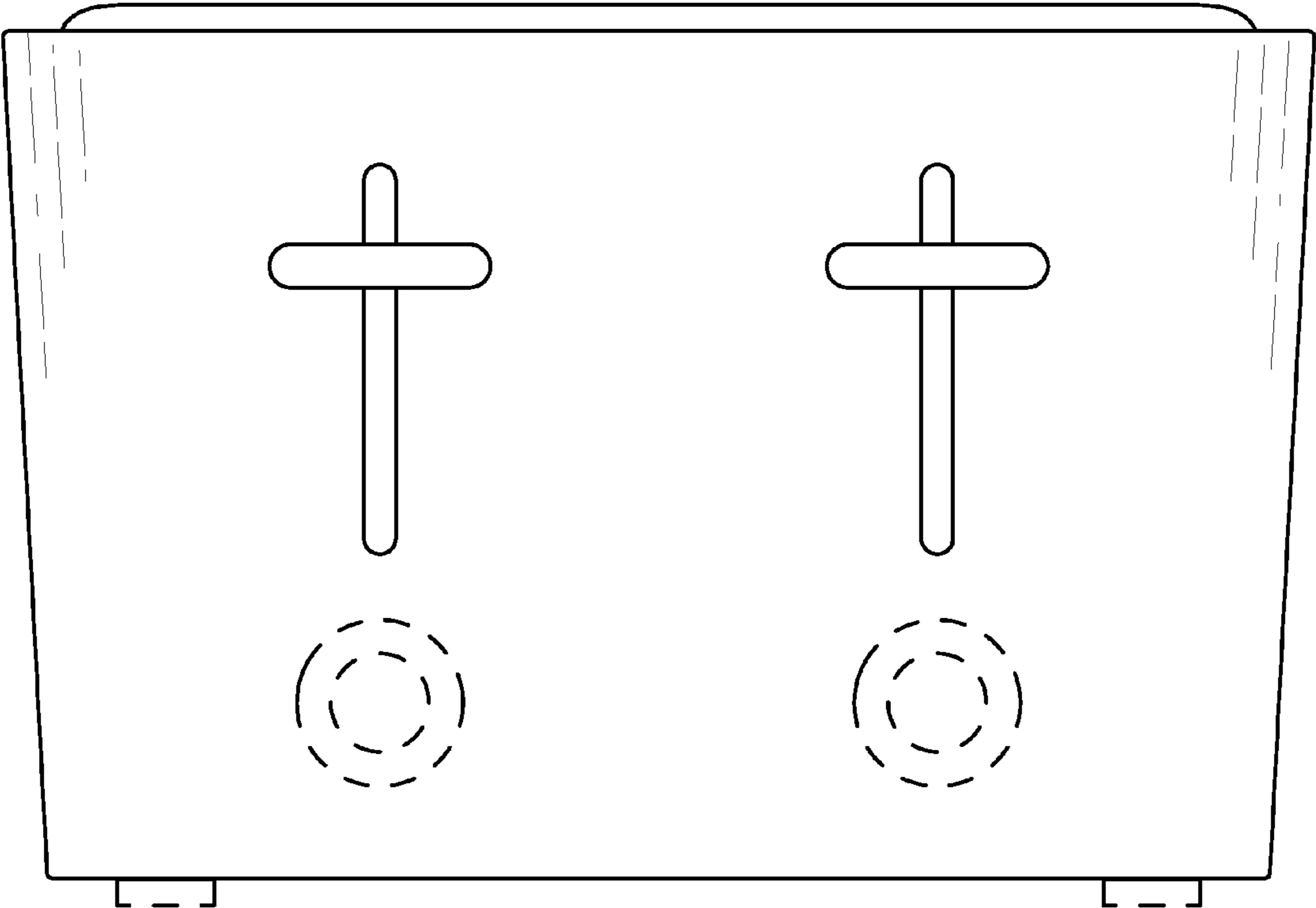


FIG. 1

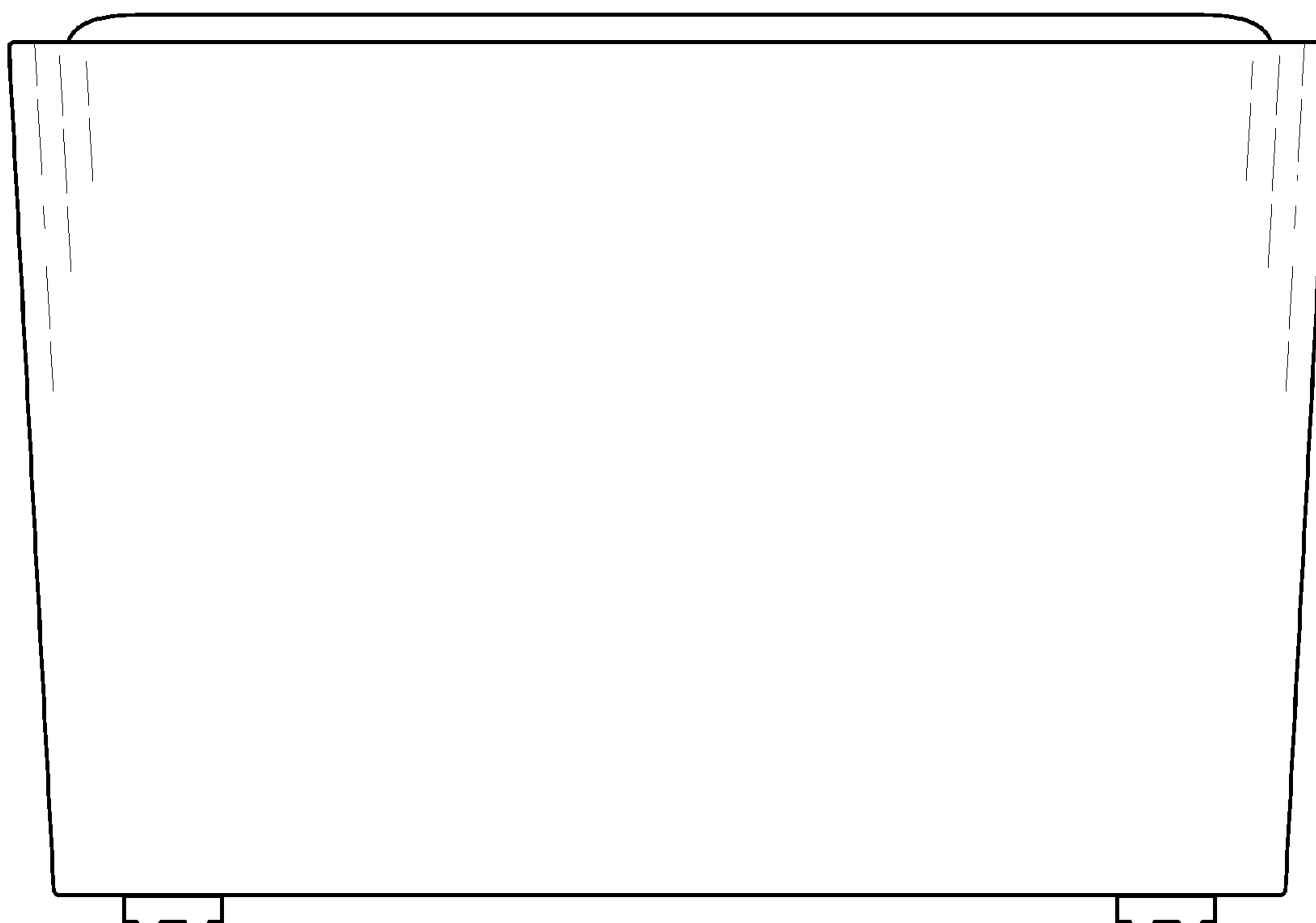


FIG. 2

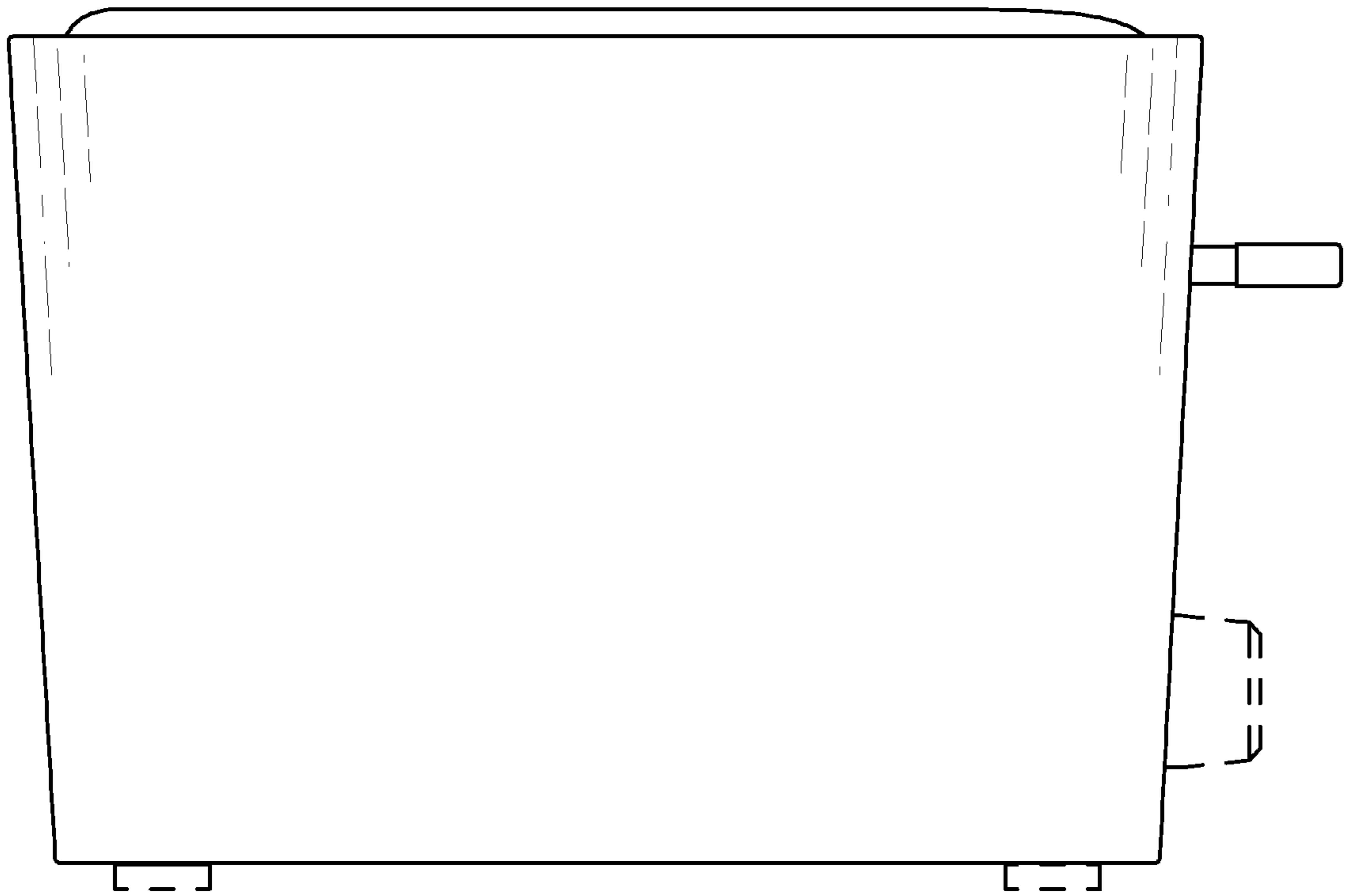


FIG.3

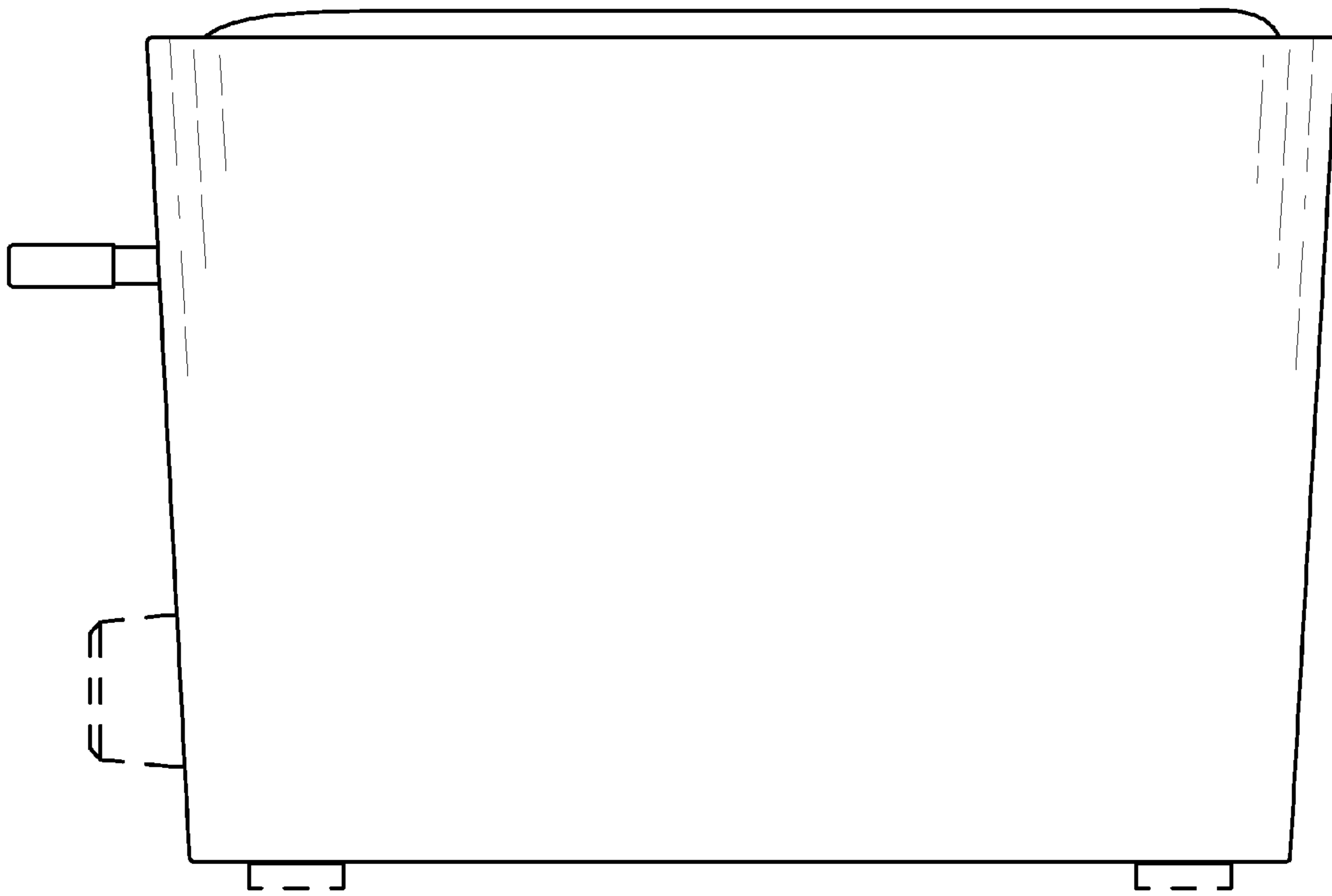


FIG. 4

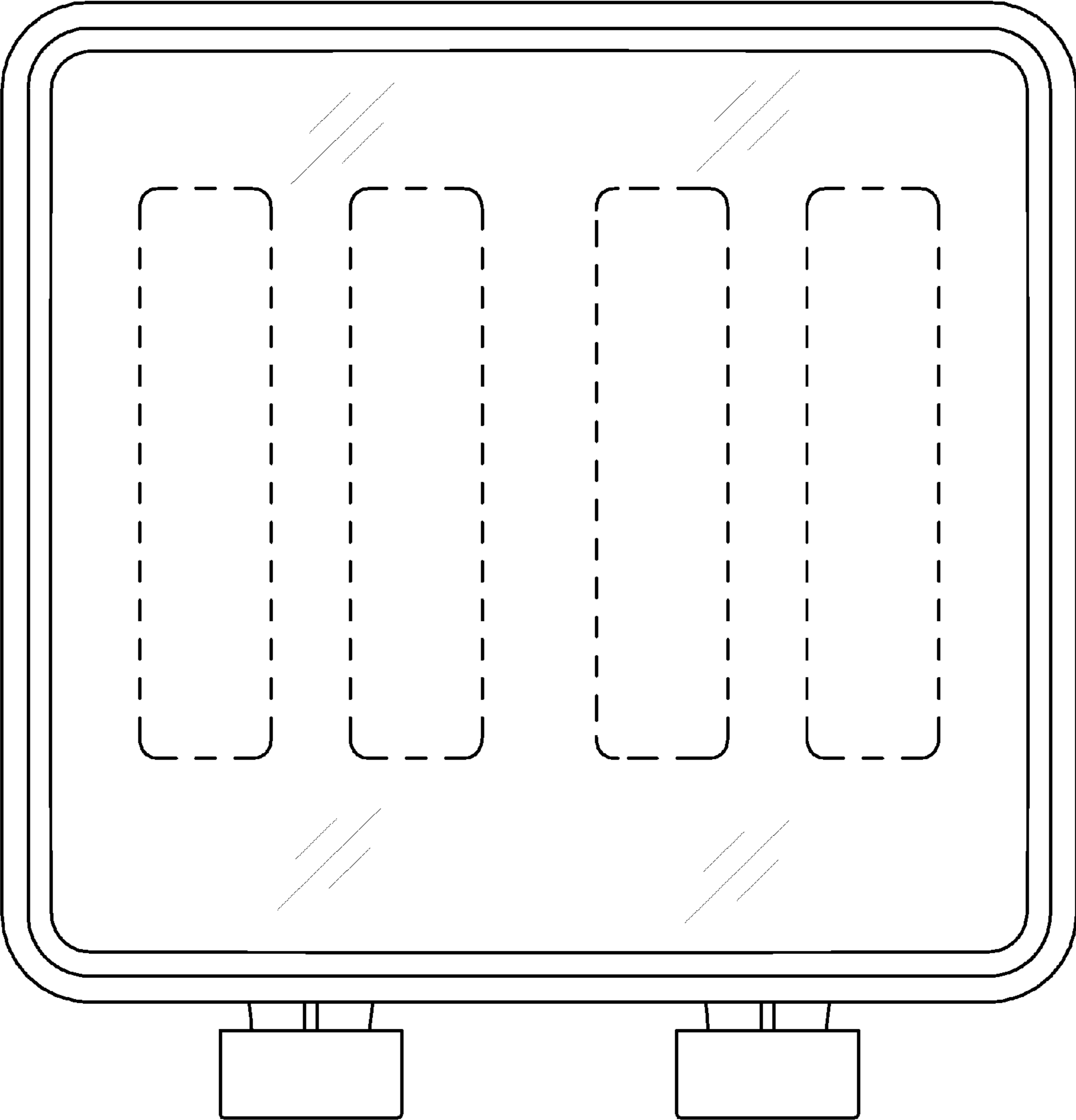


FIG. 5

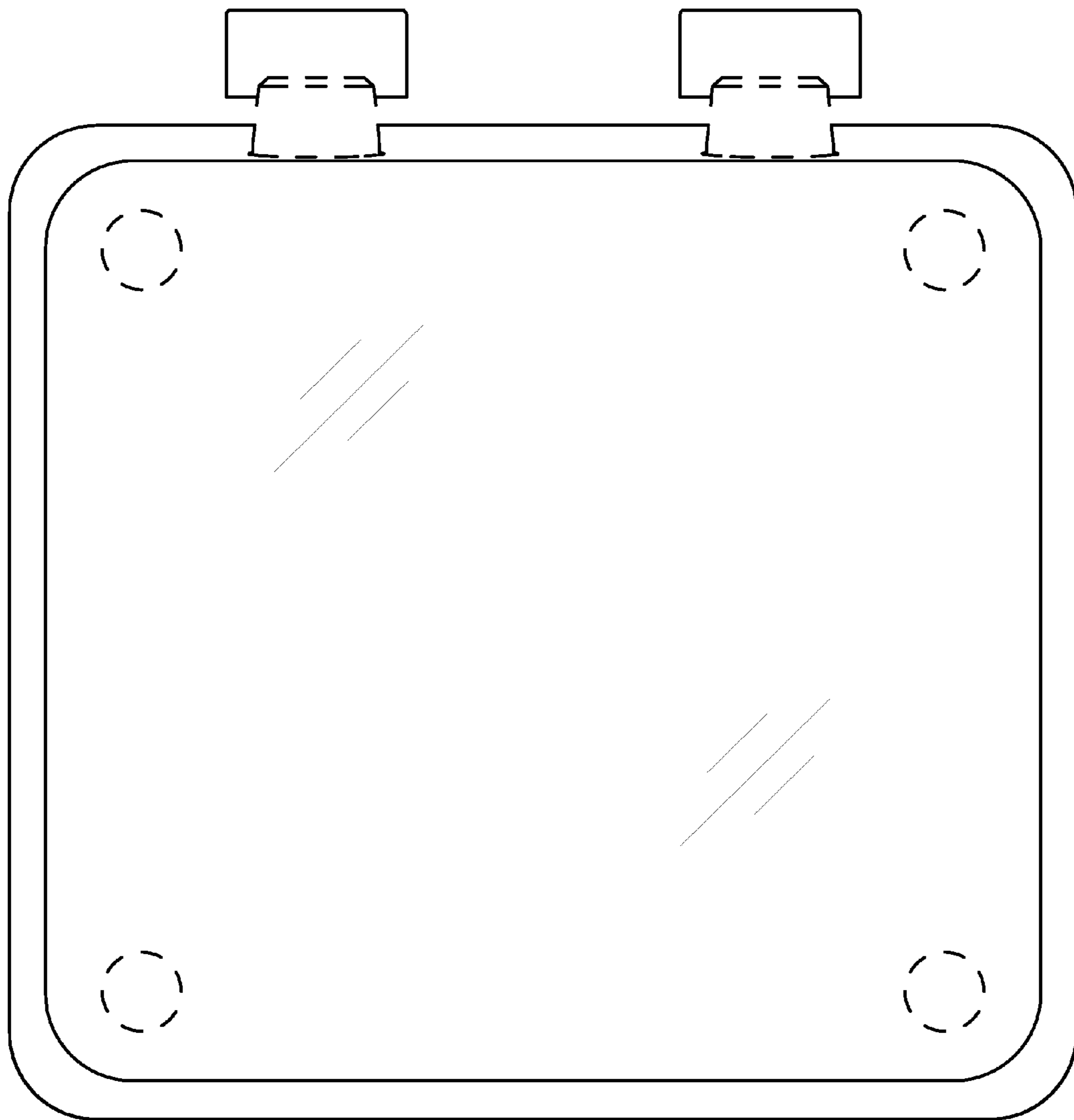


FIG.6

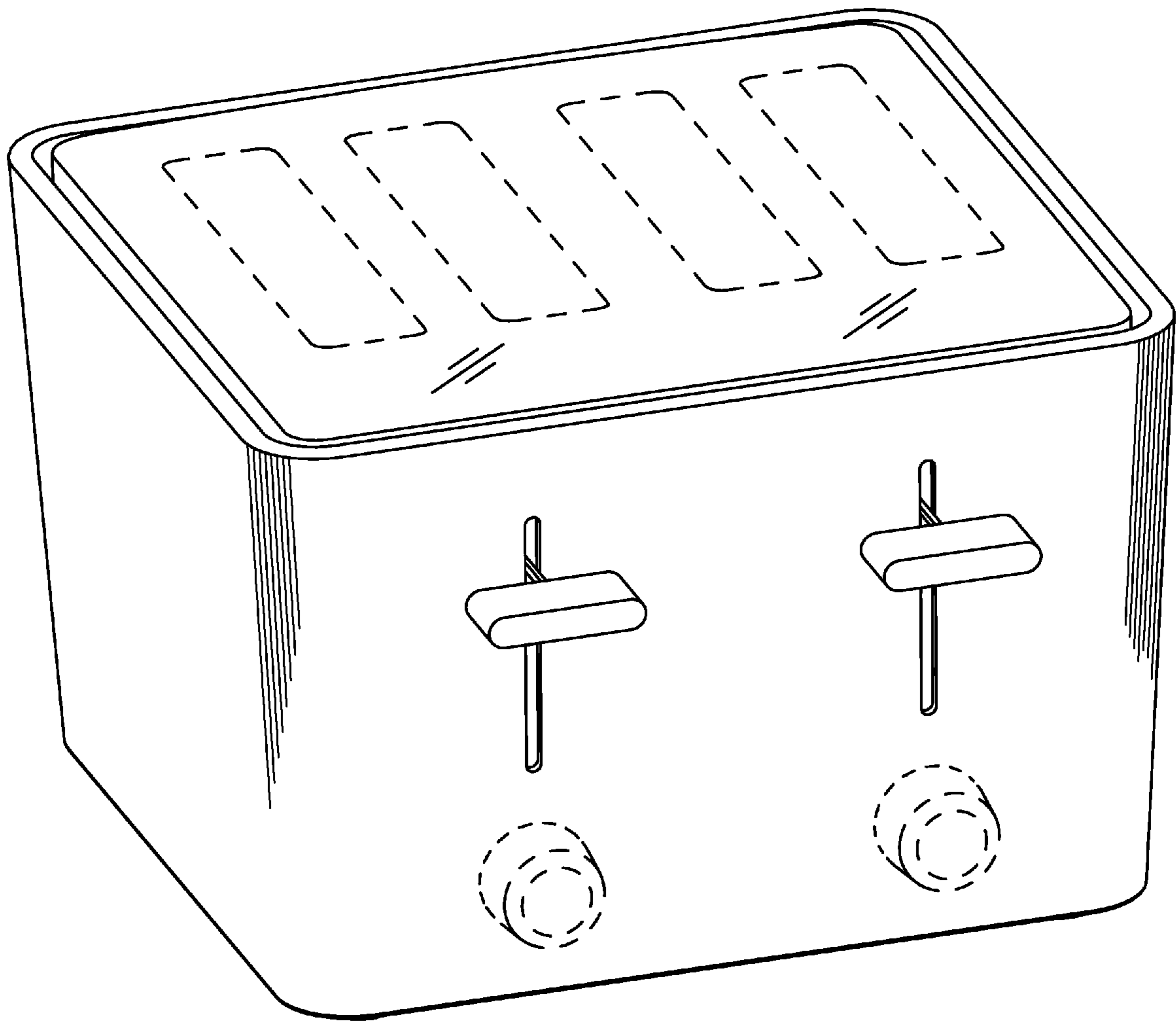


FIG. 7