



US00D628428S

(12) **United States Design Patent**  
**Bond**

(10) **Patent No.:** **US D628,428 S**

(45) **Date of Patent:** **\*\* Dec. 7, 2010**

(54) **HOLLYWOOD KETTLE POPCORN MAKER**

(76) Inventor: **Gregg Bond**, 313 El Camino Dr.,  
Beverly Hills, CA (US) 90212

(\*\*) Term: **14 Years**

(21) Appl. No.: **29/316,946**

(22) Filed: **Nov. 13, 2009**

(51) **LOC (9) Cl.** ..... **31-00**

(52) **U.S. Cl.** ..... **D7/325**

(58) **Field of Classification Search** ..... D7/323,  
D7/325, 354-361, 500, 606; D34/14; D99/37;  
34/588; 99/323.4-323.9, 442; 219/433,  
219/441, 728-731, 735, 745; 220/252; 426/10-107,  
426/241-243

See application file for complete search history.

(56) **References Cited**

**U.S. PATENT DOCUMENTS**

2,134,682 A \* 11/1938 Burch ..... 99/323.7  
D163,497 S \* 5/1951 Waas ..... D7/325  
D177,456 S \* 4/1956 Altemiller ..... D7/325  
2,972,292 A \* 2/1961 Waas et al. .... 99/323.8  
3,311,992 A \* 4/1967 Seley ..... 34/588

D279,069 S \* 6/1985 Goodlaxson ..... D7/325  
5,419,238 A \* 5/1995 Pinone ..... 99/323.6  
D469,234 S \* 1/2003 Bond et al. .... D34/14  
D551,016 S \* 9/2007 Bond ..... D7/325  
D552,405 S \* 10/2007 Bond ..... D7/325

\* cited by examiner

*Primary Examiner*—Ricky Pham

(74) *Attorney, Agent, or Firm*—Blakely, Sokoloff, Taylor &  
Zafman

(57) **CLAIM**

The ornamental design for a Hollywood kettle popcorn  
maker, as shown.

**DESCRIPTION**

FIG. 1 is a perspective view of the popcorn maker

FIG. 2 is a front view of the popcorn maker

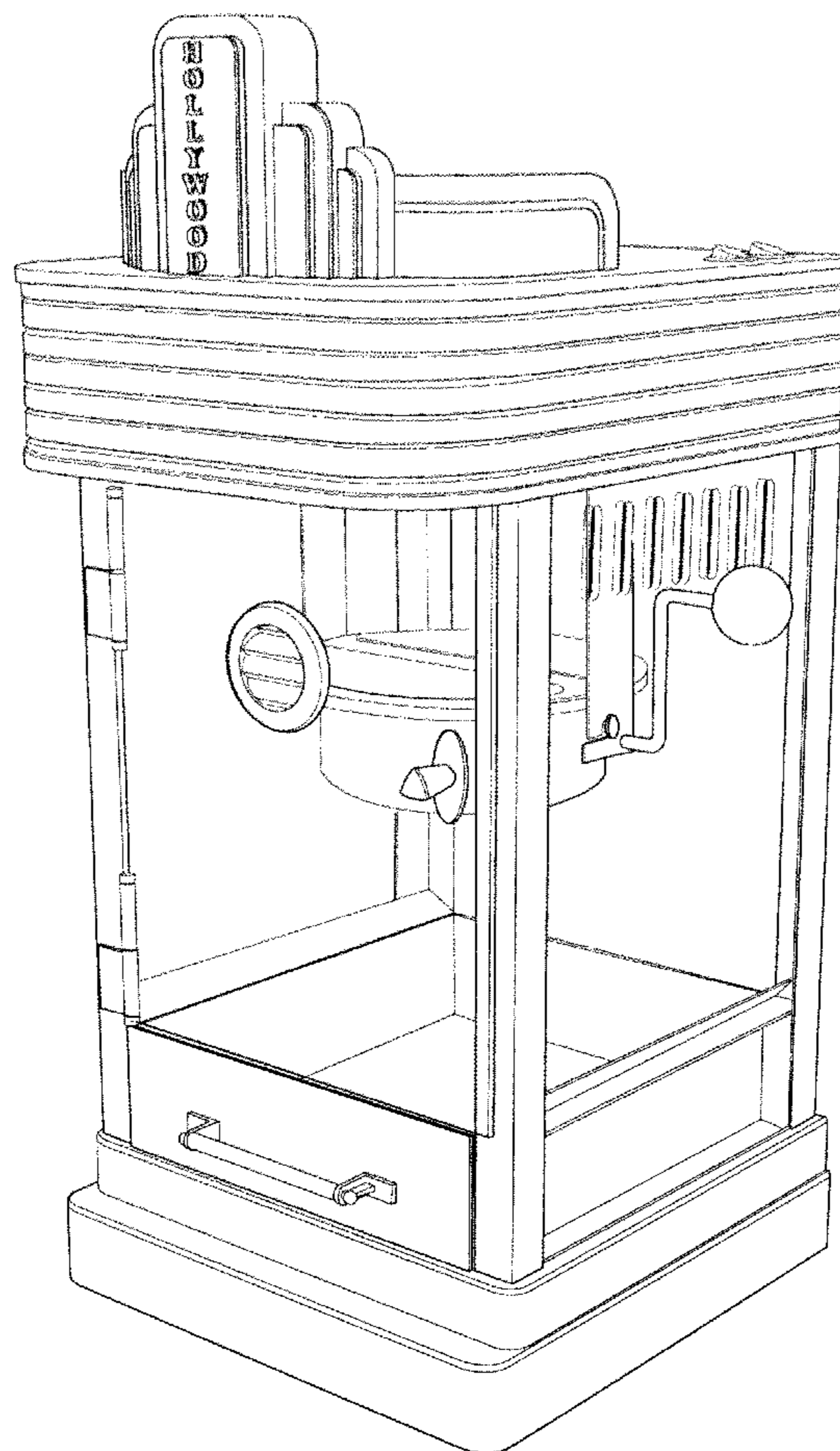
FIG. 3 is a rear view of the popcorn maker.

FIG. 4 is a right side view of the popcorn maker.

FIG. 5 is a left side view of the popcorn maker; and,

FIG. 6 is a top view of the popcorn maker.

**1 Claim, 6 Drawing Sheets**



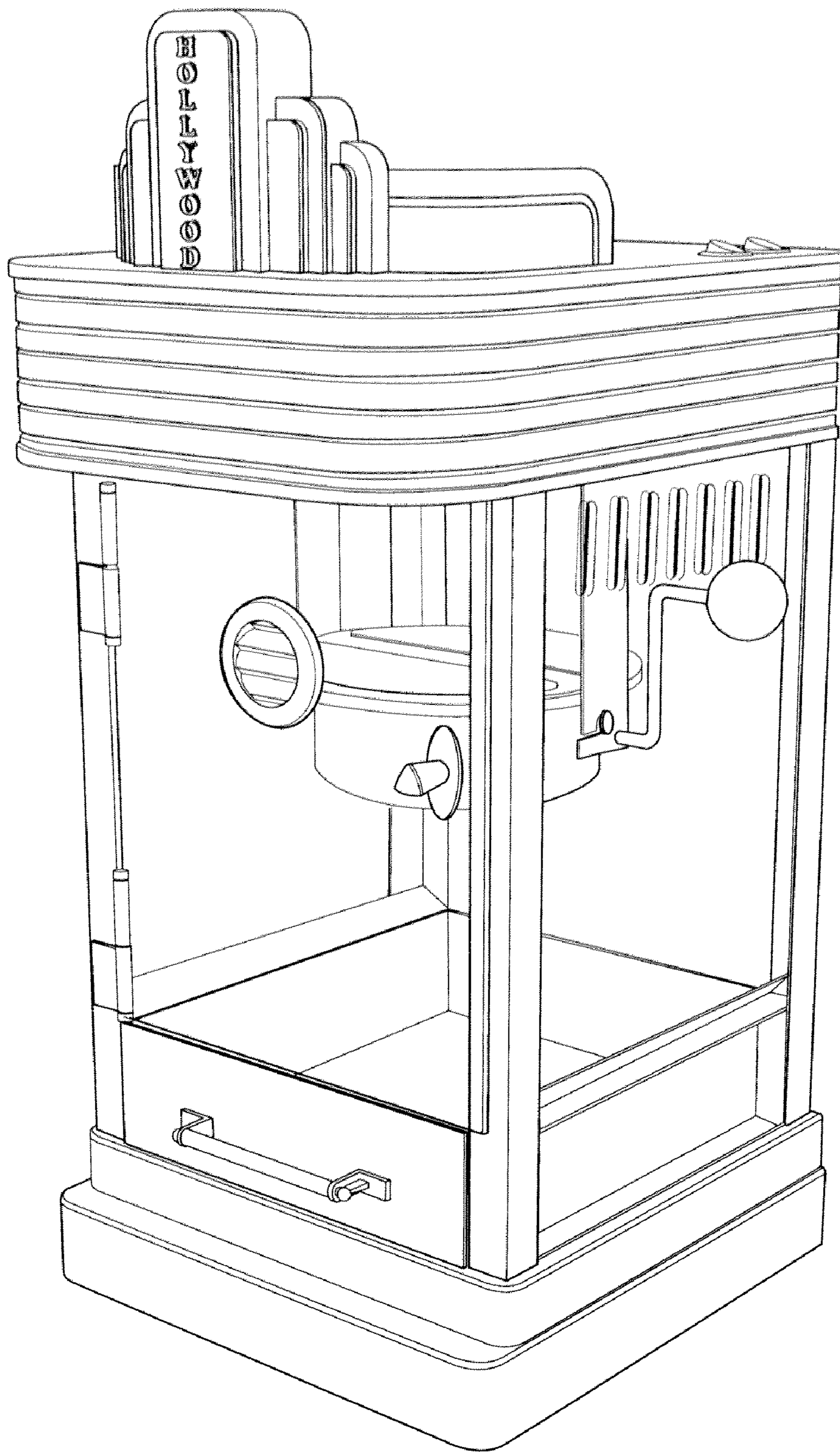
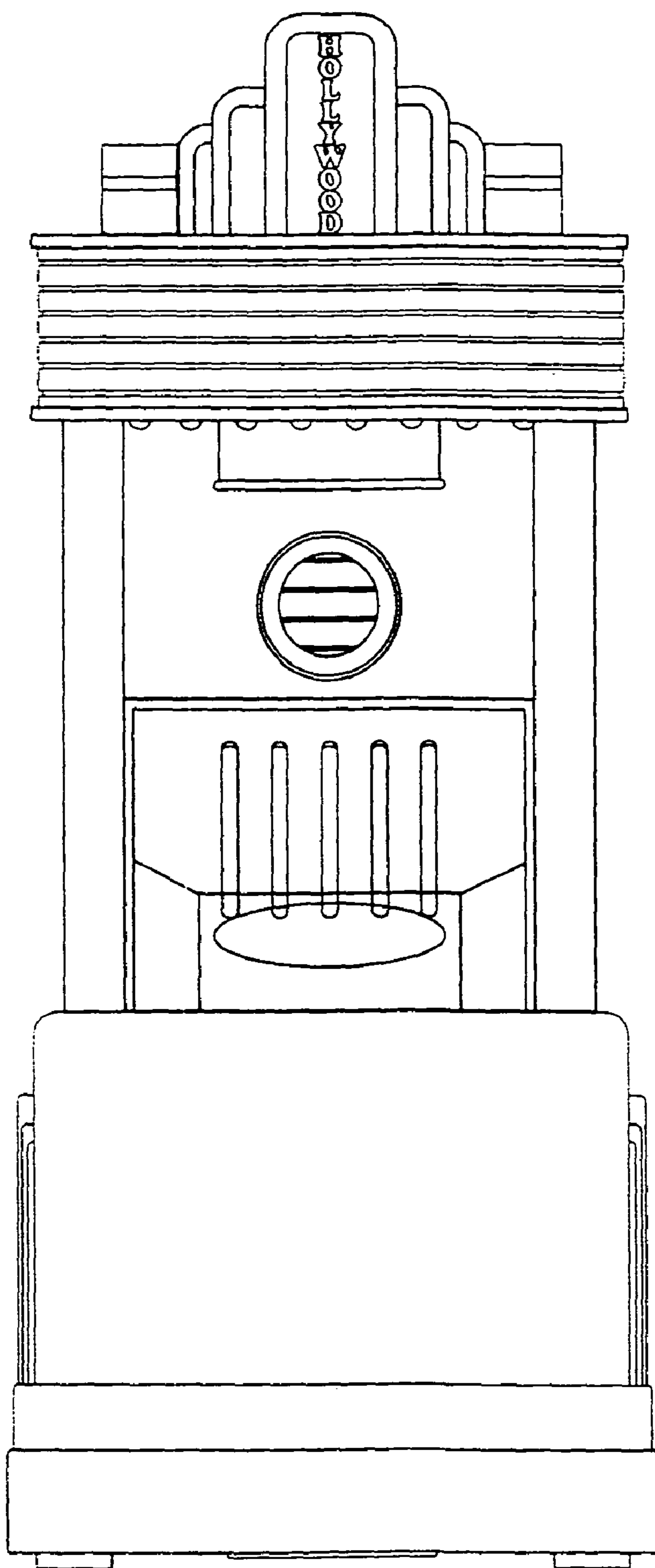


FIG. 1



**FIG. 2**

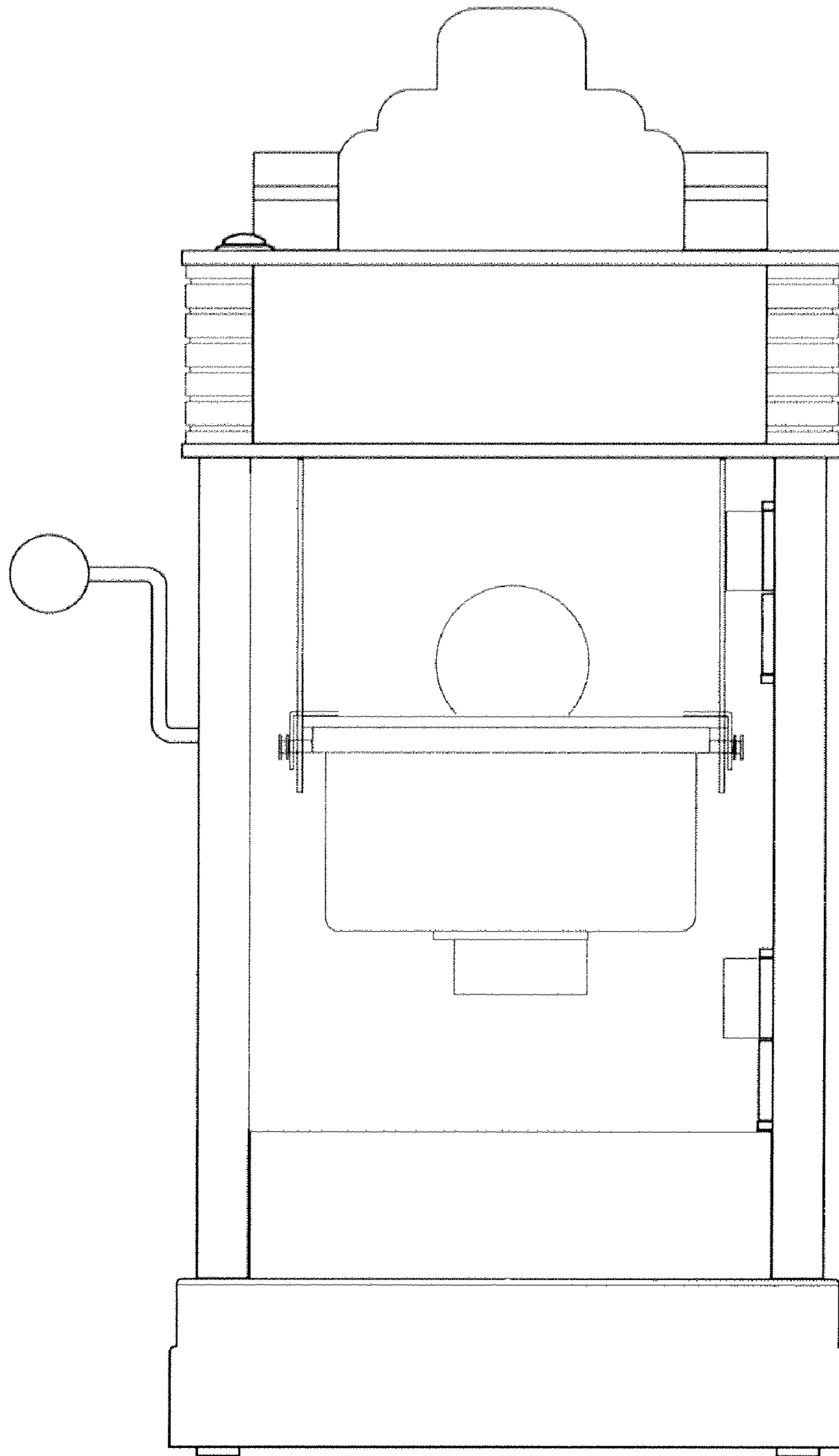


FIG. 3

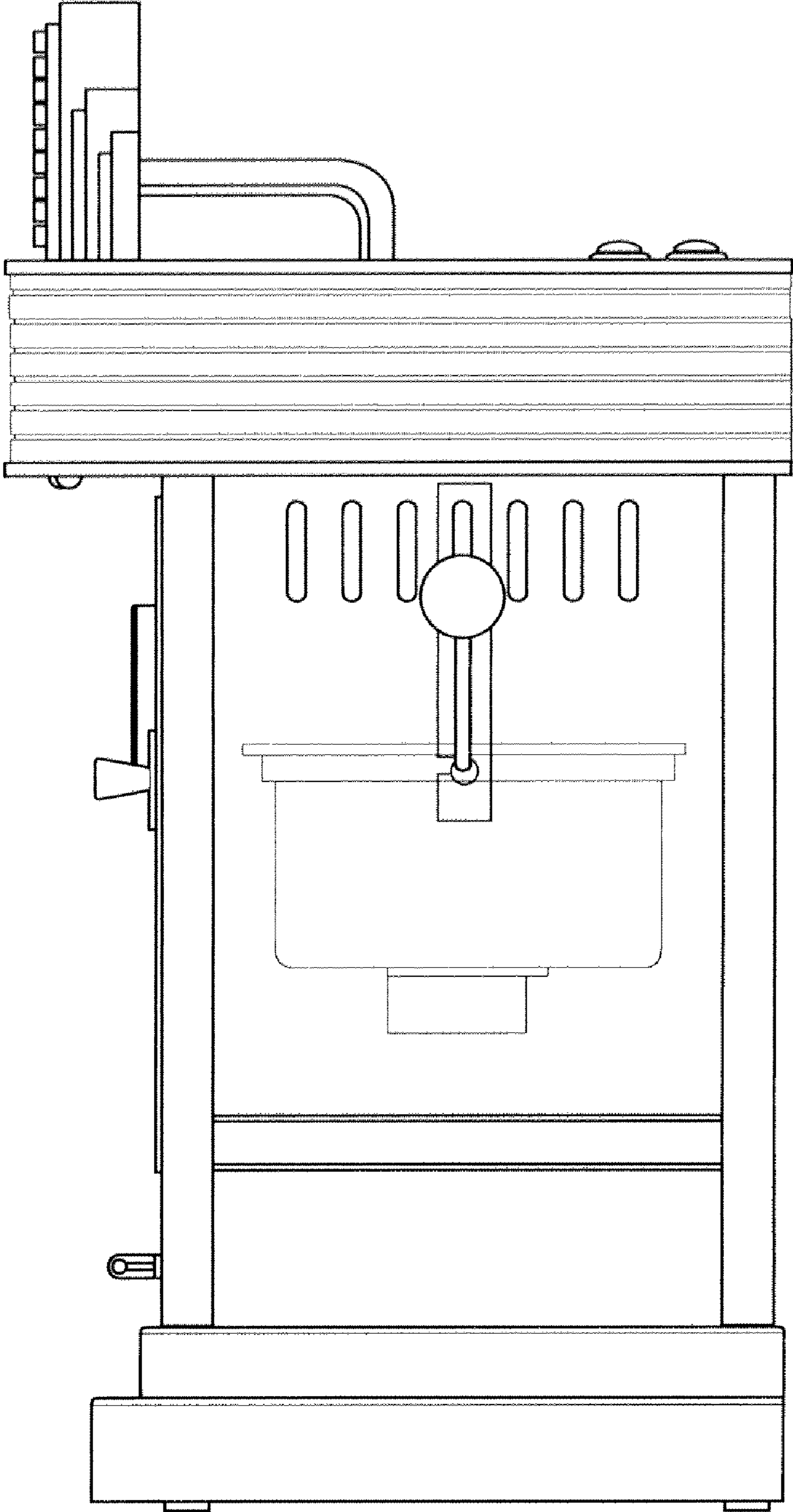


FIG. 4

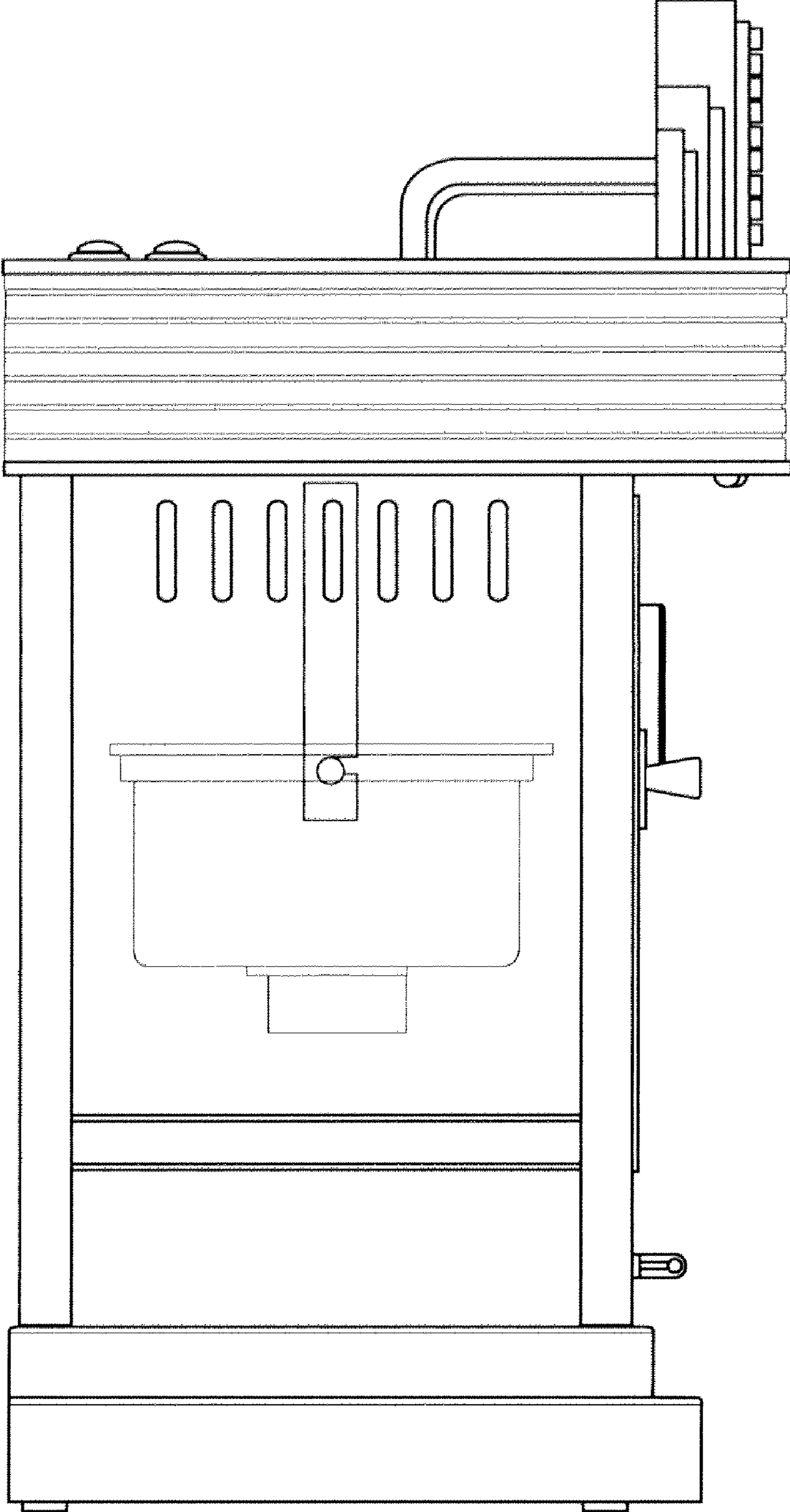


FIG. 5

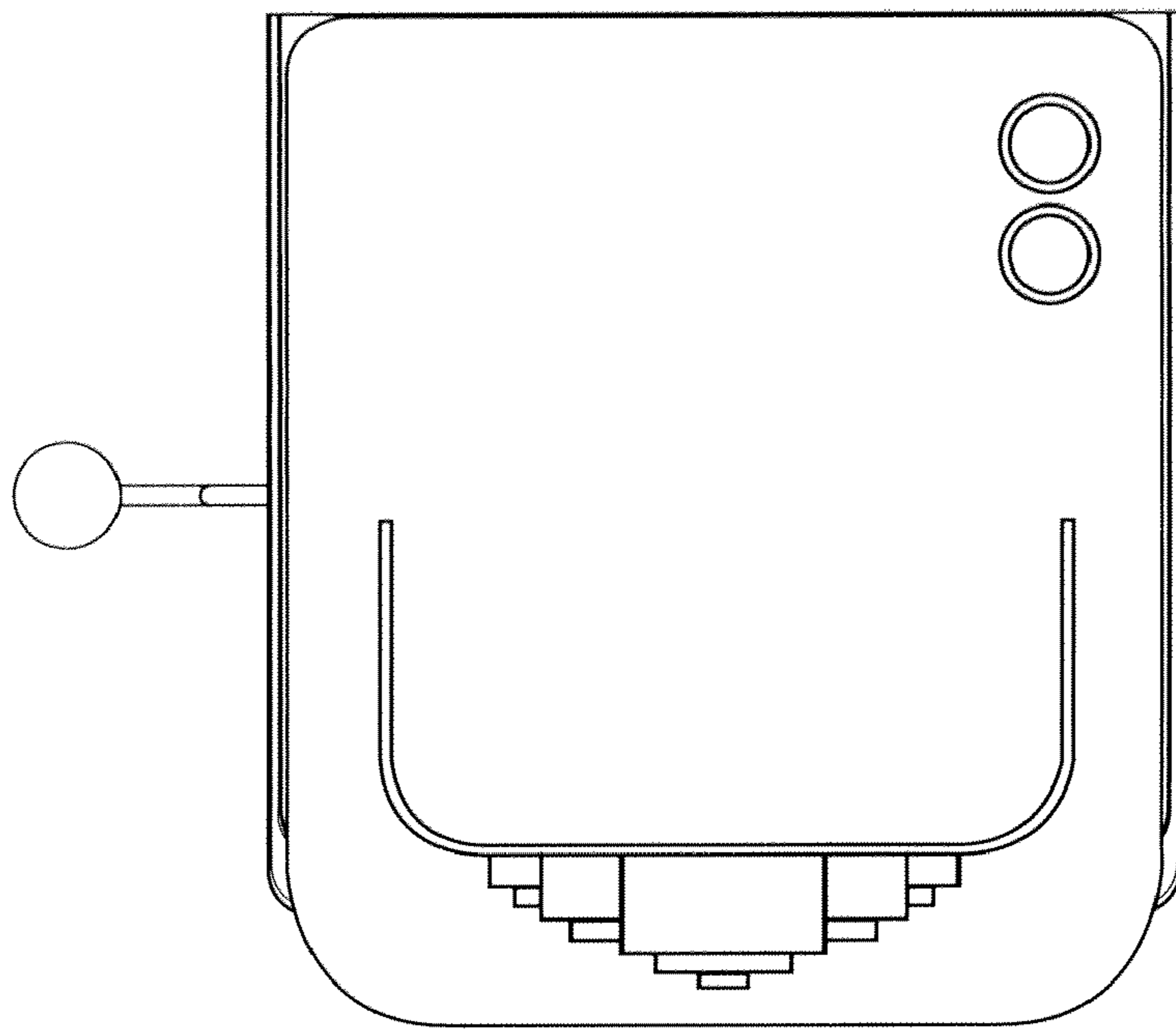


FIG. 6

UNITED STATES PATENT AND TRADEMARK OFFICE  
**CERTIFICATE OF CORRECTION**

PATENT NO. : D628,428 S  
APPLICATION NO. : 29/316946  
DATED : December 7, 2010  
INVENTOR(S) : Bond

Page 1 of 9

It is certified that error appears in the above-identified patent and that said Letters Patent is hereby corrected as shown below:

Delete the title page and substitute therefore the attached title page showing the corrected number of Drawing Sheets in patent.

Delete Drawing Sheets 1-6 and substitute therefore the attached Drawing Sheets 1-7.

Signed and Sealed this  
Nineteenth Day of April, 2011

A handwritten signature in black ink that reads "David J. Kappos". The signature is written in a cursive style with a large, prominent "D" at the beginning.

David J. Kappos  
*Director of the United States Patent and Trademark Office*



(12) **United States Design Patent**  
**Bond**

(10) **Patent No.:** **US D628,428 S**  
(45) **Date of Patent:** **\*\* Dec. 7, 2010**

(54) **HOLLYWOOD KETTLE POPCORN MAKER**

(76) Inventor: **Gregg Bond**, 313 El Camino Dr.,  
Beverly Hills, CA (US) 90212

(\*\*\*) Term: **14 Years**

(21) Appl. No.: **29/316,946**

(22) Filed: **Nov. 13, 2009**

(51) **LOC (9) Cl.** ..... **31-00**

(52) **U.S. Cl.** ..... **D7/325**

(58) **Field of Classification Search** ..... D7/323,  
D7/325, 354-361, 500, 606; D34/14; D99/37;  
34/588; 99/323.4-323.9, 442; 219/433,  
219/441, 728-731, 735, 745; 220/252; 426/10-107,  
426/241-243

See application file for complete search history.

(56) **References Cited**

**U.S. PATENT DOCUMENTS**

2,134,682 A \* 11/1938 Burch ..... 99/323.7  
D163,497 S \* 5/1951 Waas ..... D7/325  
D177,456 S \* 4/1956 Altemiller ..... D7/325  
2,972,292 A \* 2/1961 Waas et al. .... 99/323.8  
3,311,992 A \* 4/1967 Seley ..... 34/588

D279,069 S \* 6/1985 Goodlaxson ..... D7/325  
5,419,238 A \* 5/1995 Pinone ..... 99/323.6  
D469,234 S \* 1/2003 Bond et al. .... D34/14  
D551,016 S \* 9/2007 Bond ..... D7/325  
D552,405 S \* 10/2007 Bond ..... D7/325

\* cited by examiner

*Primary Examiner*—Ricky Phan

(74) *Attorney, Agent, or Firm*—Blakely, Sokoloff, Taylor & Zafman

(57) **CLAIM**

The ornamental design for a Hollywood kettle popcorn maker, as shown.

**DESCRIPTION**

FIG. 1 is a perspective view of the popcorn maker

FIG. 2 is a front view of the popcorn maker

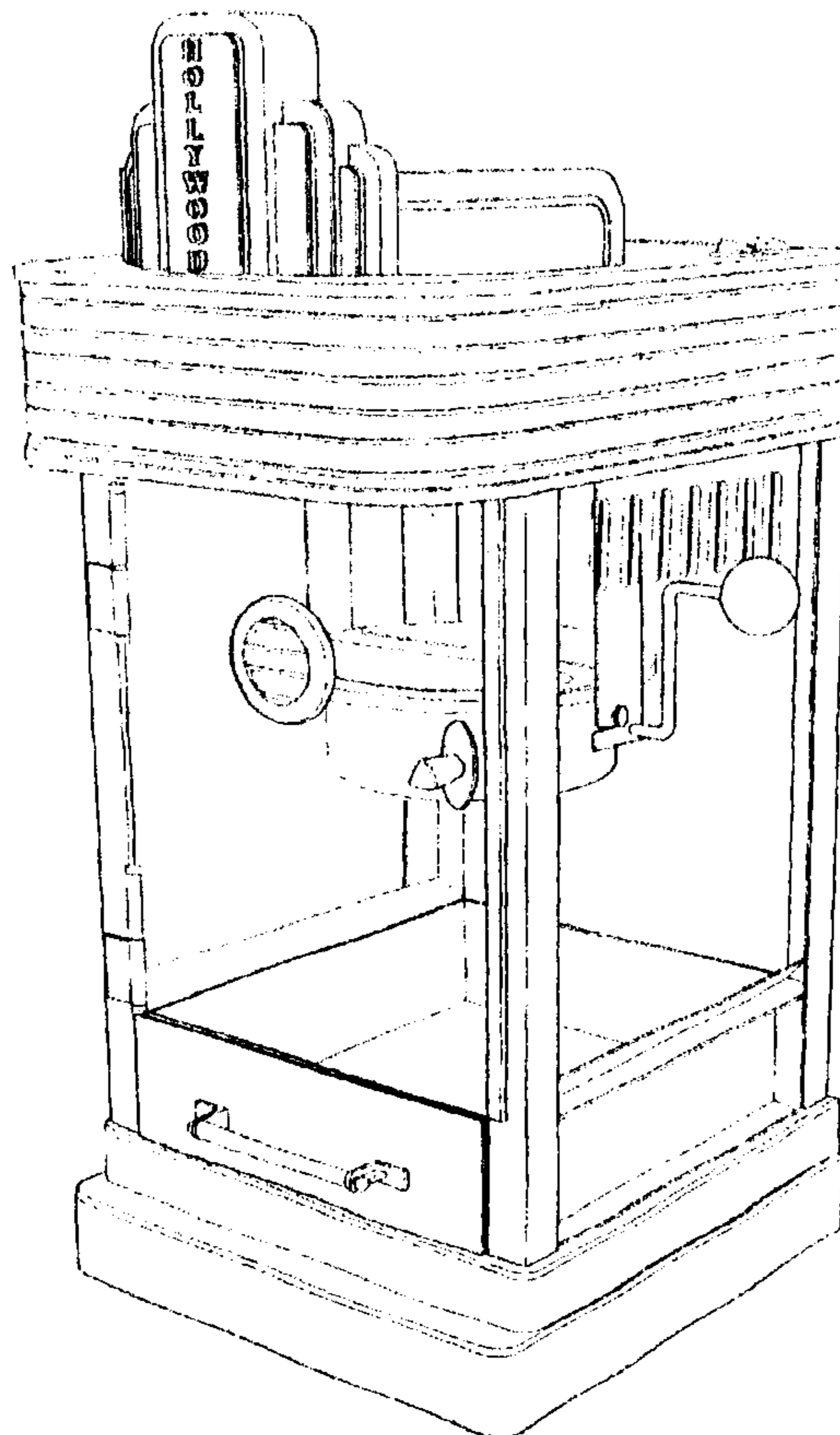
FIG. 3 is a rear view of the popcorn maker.

FIG. 4 is a right side view of the popcorn maker.

FIG. 5 is a left side view of the popcorn maker; and,

FIG. 6 is a top view of the popcorn maker.

**1 Claim, 7 Drawing Sheets**



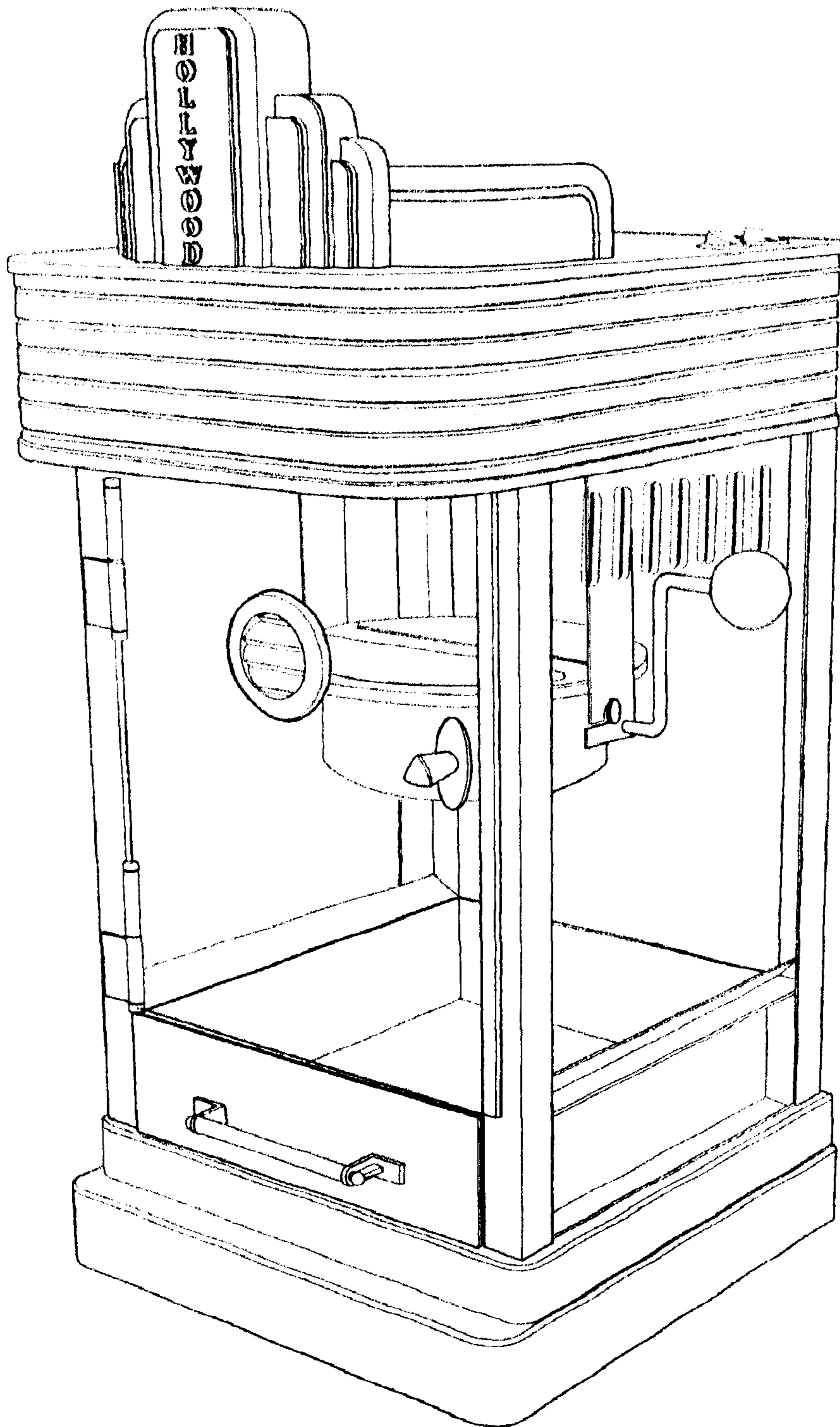
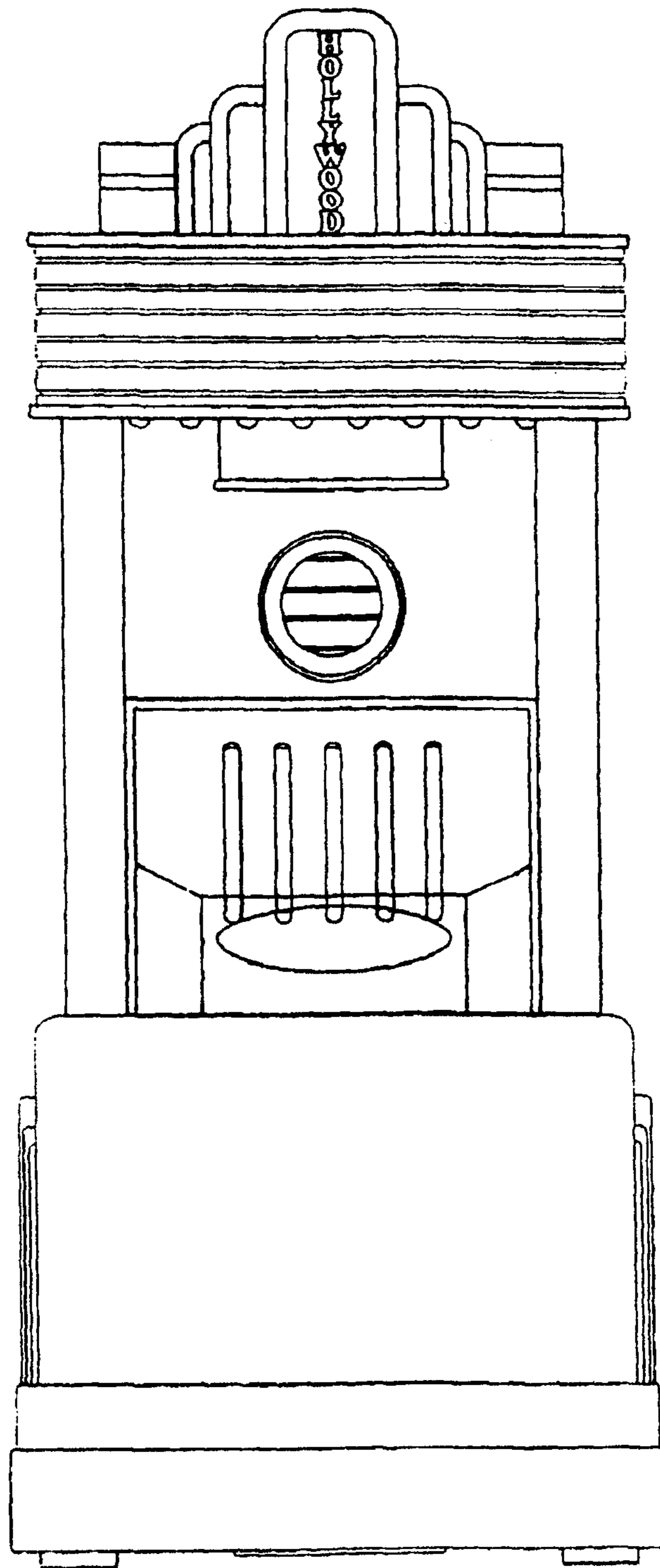
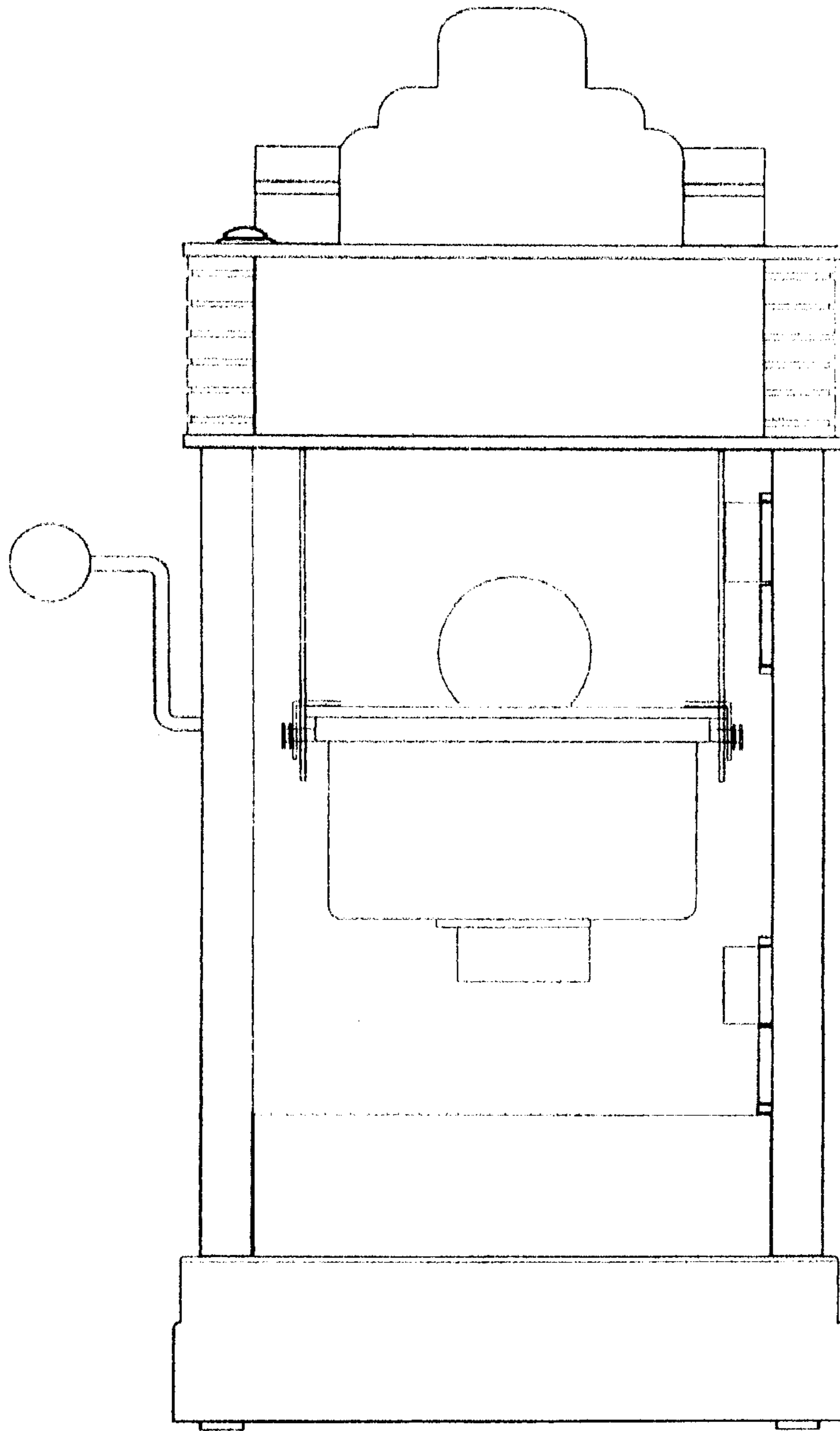


FIG. 1



**FIG. 2**



**FIG. 3**

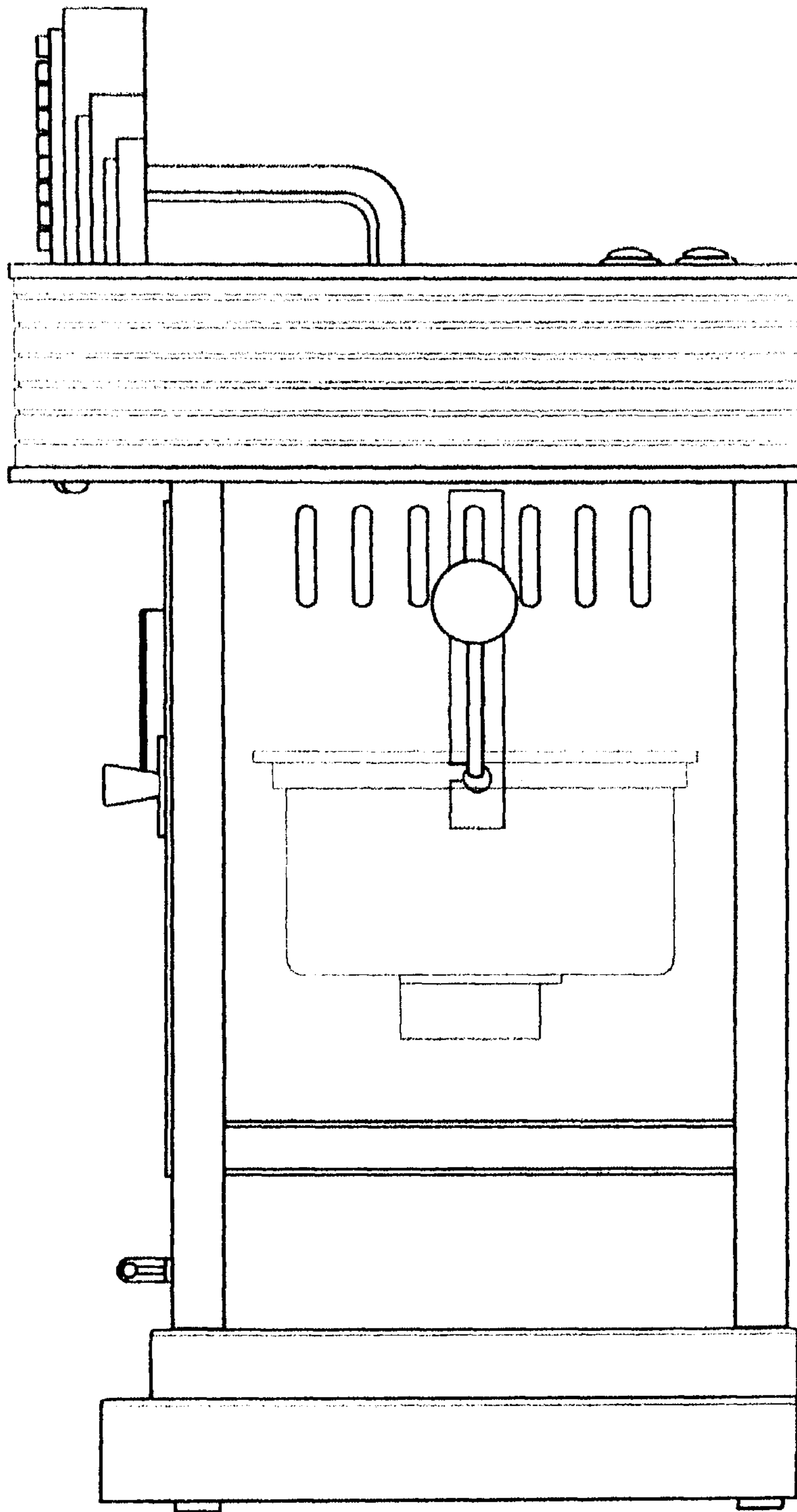


FIG. 4

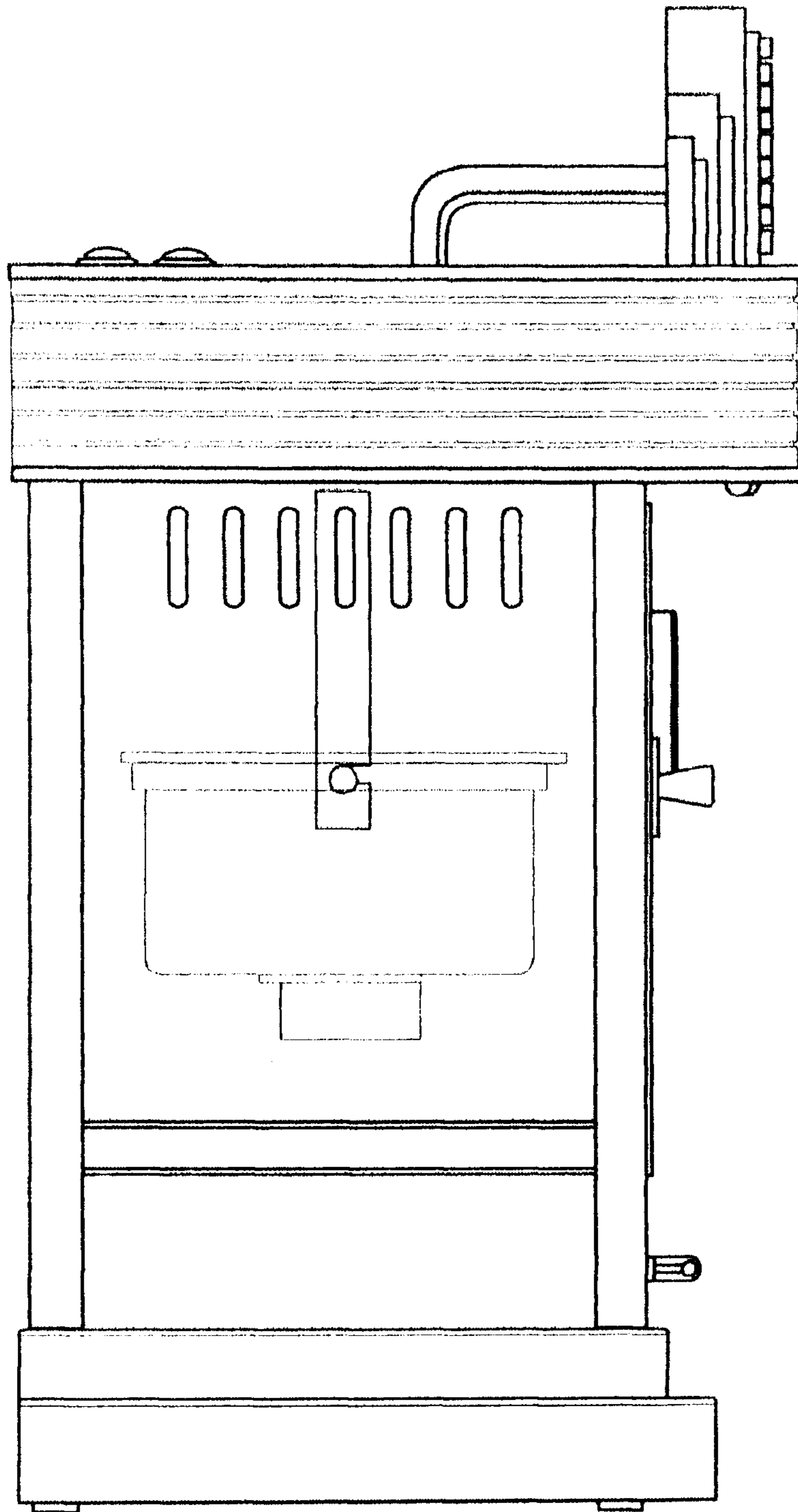


FIG. 5

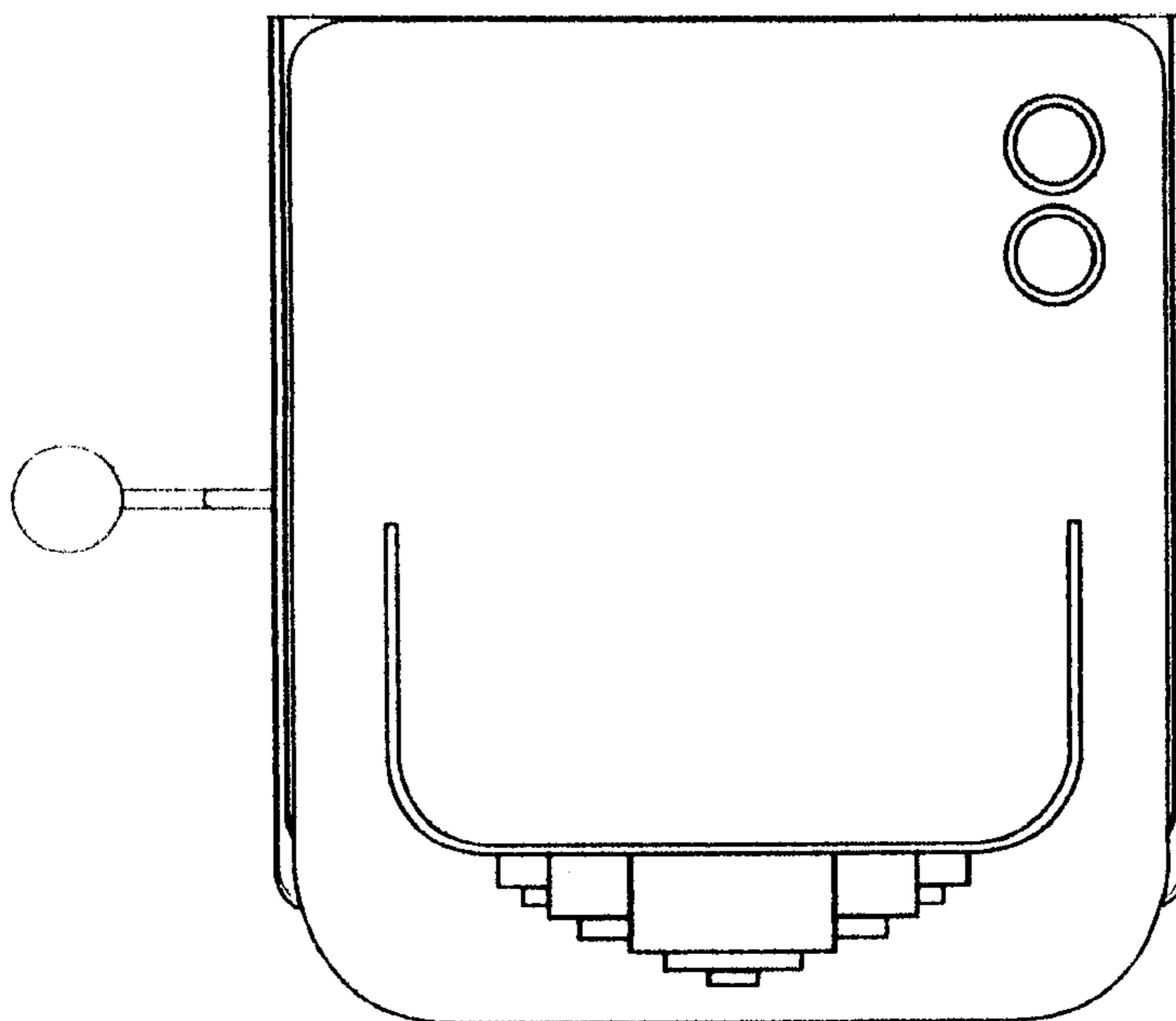


FIG. 6

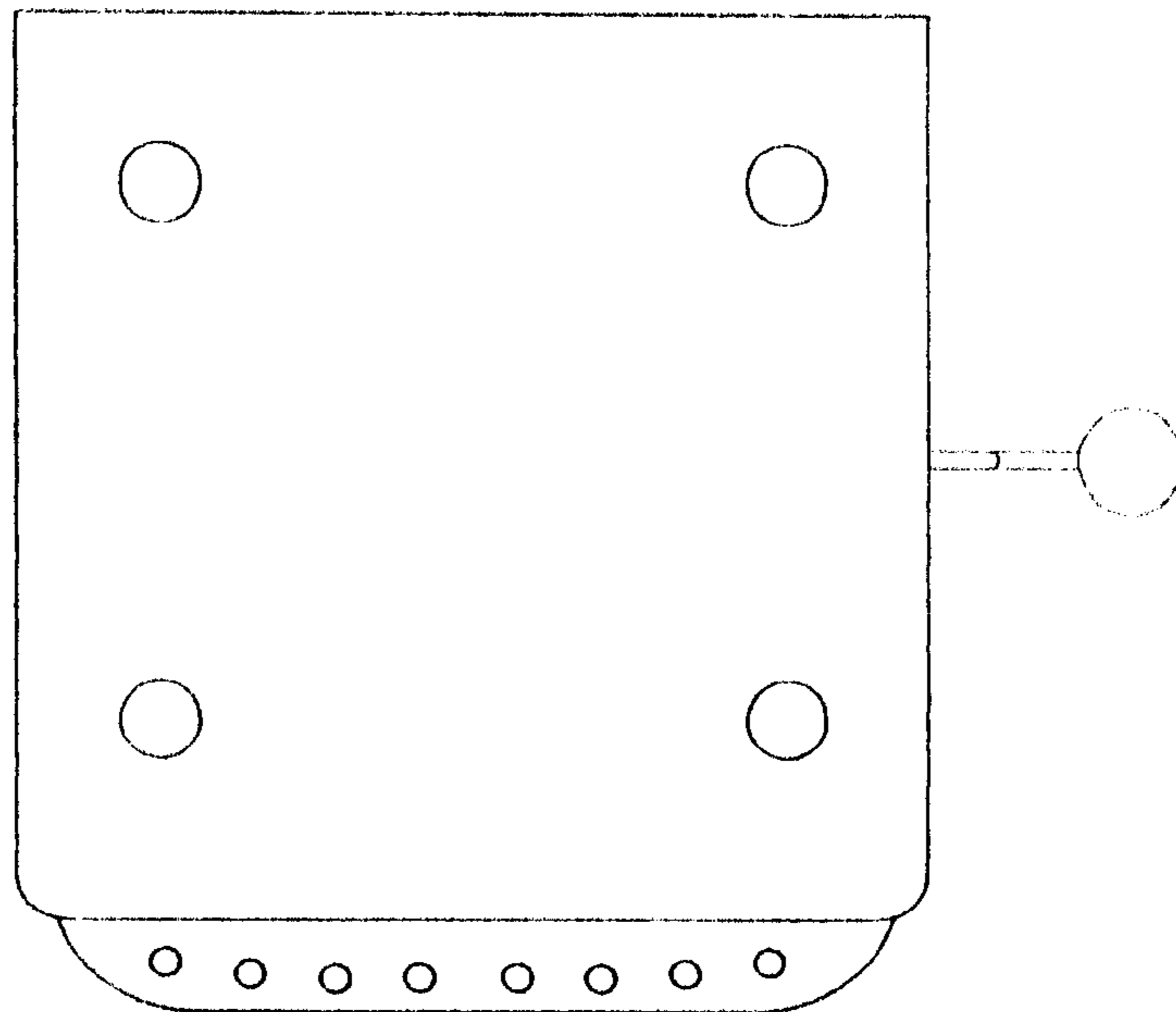


FIG. 7



**UNITED STATES PATENT AND TRADEMARK OFFICE**  
**Certificate**

Patent No. D628,428 S

Patented: December 7, 2010

On petition requesting issuance of a certificate for correction of inventorship pursuant to 35 U.S.C. 256, it has been found that the above identified patent, through error and without any deceptive intent, improperly sets forth the inventorship.

Accordingly, it is hereby certified that the correct inventorship of this patent is: Gregg Bond, Beverly Hills, CA (US); and Edward E. Boughton III, Camarillo, CA (US).

Signed and Sealed this Seventh Day of January 2014.

CARON VEYNAR  
Supervisory Patent Examiner  
Art Unit 2913  
Technology Center 2900