



US00D628427S

(12) **United States Design Patent**  
**Stauffacher**

(10) **Patent No.:** **US D628,427 S**

(45) **Date of Patent:** **\*\* Dec. 7, 2010**

(54) **CUP WARMER**

(75) Inventor: **Stefan Stauffacher**, Uster (CH)

(73) Assignee: **Jura Elektroapparate AG**,  
Niederbuchsiten (CH)

(\*\*) Term: **14 Years**

(21) Appl. No.: **29/353,374**

(22) Filed: **Jan. 7, 2010**

(51) **LOC (9) Cl.** ..... **07-02**

(52) **U.S. Cl.** ..... **D7/323**

(58) **Field of Classification Search** ..... D7/323,  
D7/362, 507, 511–512, 523, 608; 219/202,  
219/386–387, 432–433, 436

See application file for complete search history.

(56) **References Cited**

**U.S. PATENT DOCUMENTS**

D156,725 S *	1/1950	Gettleman	.....	D7/323
D156,726 S *	1/1950	Gettleman	.....	D7/323
D163,275 S *	5/1951	Gettleman	.....	D7/323
D309,547 S *	7/1990	Kane	.....	D7/323
D466,755 S *	12/2002	Henry	.....	D7/323
D497,768 S *	11/2004	Since et al.	.....	D7/362
6,870,135 B2 *	3/2005	Hamm et al.	.....	219/432
D597,783 S *	8/2009	Salerno	.....	D7/323

**OTHER PUBLICATIONS**

Jura's coffee machines: Impresa Accessories :: UK Commercial Use, Cup Warmer, [online] [retrieved Feb. 16, 2010]. Retrieved from the Internet: <URL: [http://www.stylecafe.jura.com/home\\_stylecare\\_x/products\\_commercial\\_use2/products\\_profession...](http://www.stylecafe.jura.com/home_stylecare_x/products_commercial_use2/products_profession...)>. 1 page.

Jura Cup Warmer [online] [retrieved Sep. 22, 2009]. Retrieved from the Internet: <URL: [http://www.stylecafe.jura.com/show\\_image?subtype=178&rev=2&name=accessories54](http://www.stylecafe.jura.com/show_image?subtype=178&rev=2&name=accessories54)>. 1 page.

Jura Cup Warmer, cappuccino machine and coffee supplies by Gilkatho [online] [retrieved Feb. 16, 2010]. Retrieved from the Internet: <URL: <http://www.gilkatho.com.au/shop/Scripts/prodView.asp?idproduct=129>>. 1 page.

Jura Cup Warmer [online] [retrieved Sep. 22, 2009]. Retrieved from the Internet: <URL: <http://www.hotncold.com/Cup-warmer2.jpg>>. 1 page.

Jura's coffee machines: Impresa Accessories :: Jura South East Asia, Cup Warmer-S [online] [retrieved Feb. 16, 2010]. Retrieved from the Internet: <URL: [http://www.sea.jura.com/home\\_sea\\_x/products\\_home\\_use/products\\_home\\_use\\_accessoires.htm?s...](http://www.sea.jura.com/home_sea_x/products_home_use/products_home_use_accessoires.htm?s...)>. 1 page.

Jura Cup Warmer-S [online] [retrieved Sep. 22, 2009]. Retrieved from the Internet: <URL: <http://www.creativecookware.com/images/Jura%20Cup%20Warmer%20XF.jpg>>. 1 page.

(Continued)

*Primary Examiner*—Catherine R Oliver

(74) *Attorney, Agent, or Firm*—Alston & Bird LLP

(57) **CLAIM**

I claim the ornamental design for a cup warmer, as shown and described.

**DESCRIPTION**

FIG. 1 is a perspective view of a cup warmer of my new design;

FIG. 2 is a front elevation view thereof;

FIG. 3 is a rear elevation view thereof;

FIG. 4 is a left side elevation view thereof;

FIG. 5 is a right side elevation view thereof;

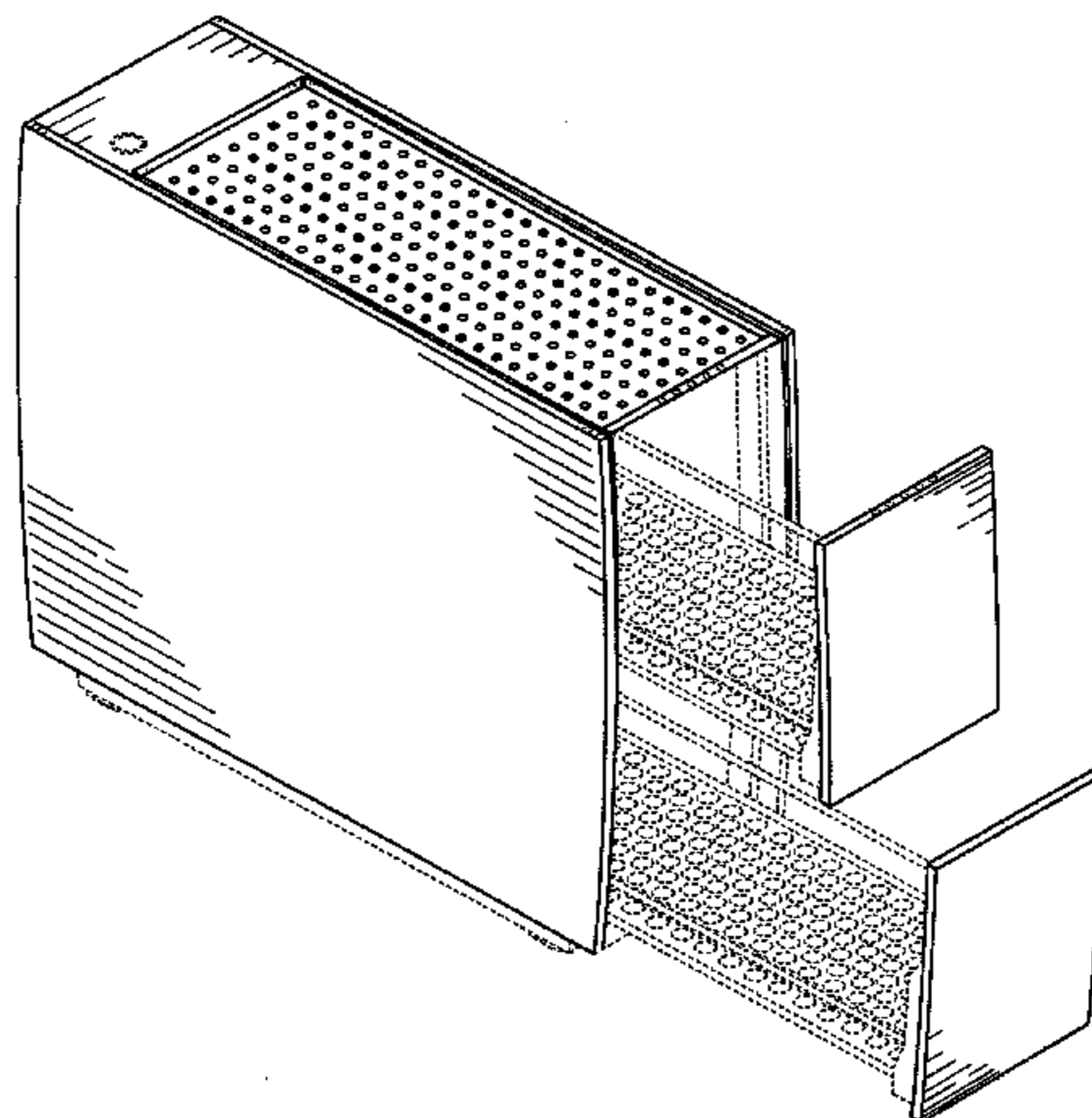
FIG. 6 is a top plan view thereof; and

FIG. 7 is a bottom plan view thereof; and,

FIG. 8 is a perspective view with the warming drawers shown in an open position.

The broken line showing of environment in the drawings is included for the purpose of illustrating only and forms no part of the claimed design.

**1 Claim, 8 Drawing Sheets**



OTHER PUBLICATIONS

Jura's coffee machines: Imprensa Accessories :: Jura South East Asia, Cup Warmer-Z [online] [retrieved on Feb. 16, 2010]. Retrieved from the Internet: <URL: [http://www.sea.jura.com/home\\_sea\\_x/products\\_home\\_use/products\\_home\\_use\\_accessoires.htm](http://www.sea.jura.com/home_sea_x/products_home_use/products_home_use_accessoires.htm)>. 1 page.

Jura Cup Warmer-Z [online] [retrieved Sep. 22, 2009]. Retrieved from the Internet: <URL: [http://www.bestcoffeebeans.co.uk/ekmps/shops/pdsiddall/images/cup\\_warmer\\_z.jpg](http://www.bestcoffeebeans.co.uk/ekmps/shops/pdsiddall/images/cup_warmer_z.jpg)>. 1 page.

Tasman—Bean to Cup Commercial—Coffee Team [online] [retrieved Feb. 16, 2010]. Retrieved from the Internet: <URL: [http://www.coffeeteam.co.uk/Bean\\_To\\_Cup\\_Commercial/\\_Tasman](http://www.coffeeteam.co.uk/Bean_To_Cup_Commercial/_Tasman)>. 1 page.

Stafco Tasman Coffee Machine and Cup Warmer [online] [retrieved Sep. 22, 2009]. Retrieved from the Internet: <URL: [http://www.coffeeteam.co.uk/lg\\_images/Jura\\_Tasman.jpg](http://www.coffeeteam.co.uk/lg_images/Jura_Tasman.jpg)>. 1 page.

Coffee Machines from Style Café—Stafco Traditional, Stafco Classic Filter, Stafco TASM . . . , Macchiavalley Tasman—High Output Bean to Cup [online] [retrieved Feb. 16, 2010]. Retrieved from the Internet: <URL: [http://www.stylecafe.co.uk/machines\\_stafco\\_traditional\\_items.asp?range=tasman](http://www.stylecafe.co.uk/machines_stafco_traditional_items.asp?range=tasman)>. 1 page.

Faema Electrical Cup Warmer—1st-line Equipment, LLC [online] [retrieved Feb. 16, 2010]. Retrieved from the Internet: <URL: [http://www.1st-line.com/machines/comm\\_mod/esprmach/faema/Faema\\_Electrical\\_Cup\\_Warmer...](http://www.1st-line.com/machines/comm_mod/esprmach/faema/Faema_Electrical_Cup_Warmer...)>. 1 page.

Faema Electrical Cup Warmer [online] [retrieved Feb. 16, 2010]. Retrieved from the Internet: <URL: [http://1st-line.com/images/faema/electrical\\_cup\\_warmer.jpg](http://1st-line.com/images/faema/electrical_cup_warmer.jpg)>. 1 page.

\* cited by examiner

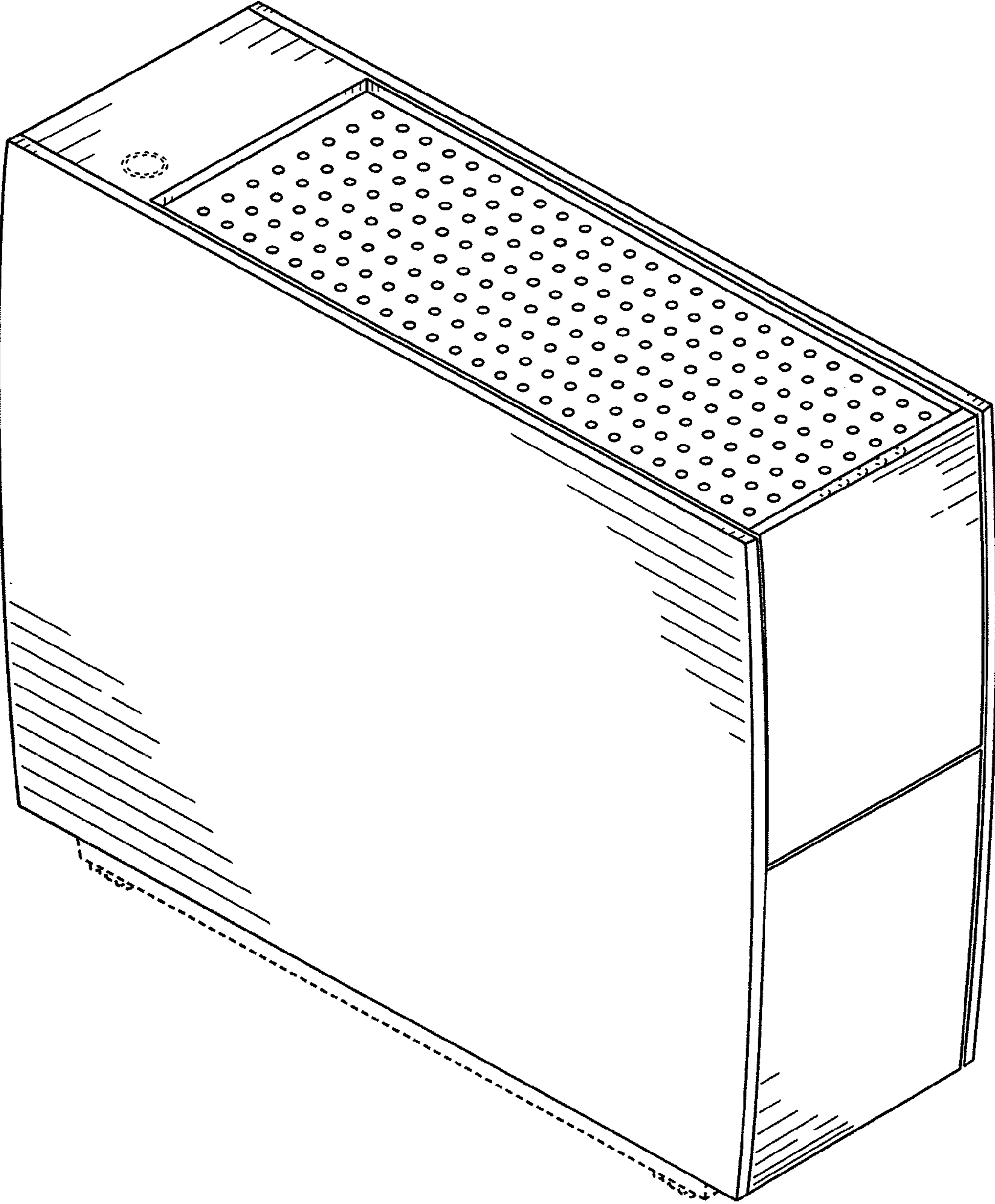


FIG. 1

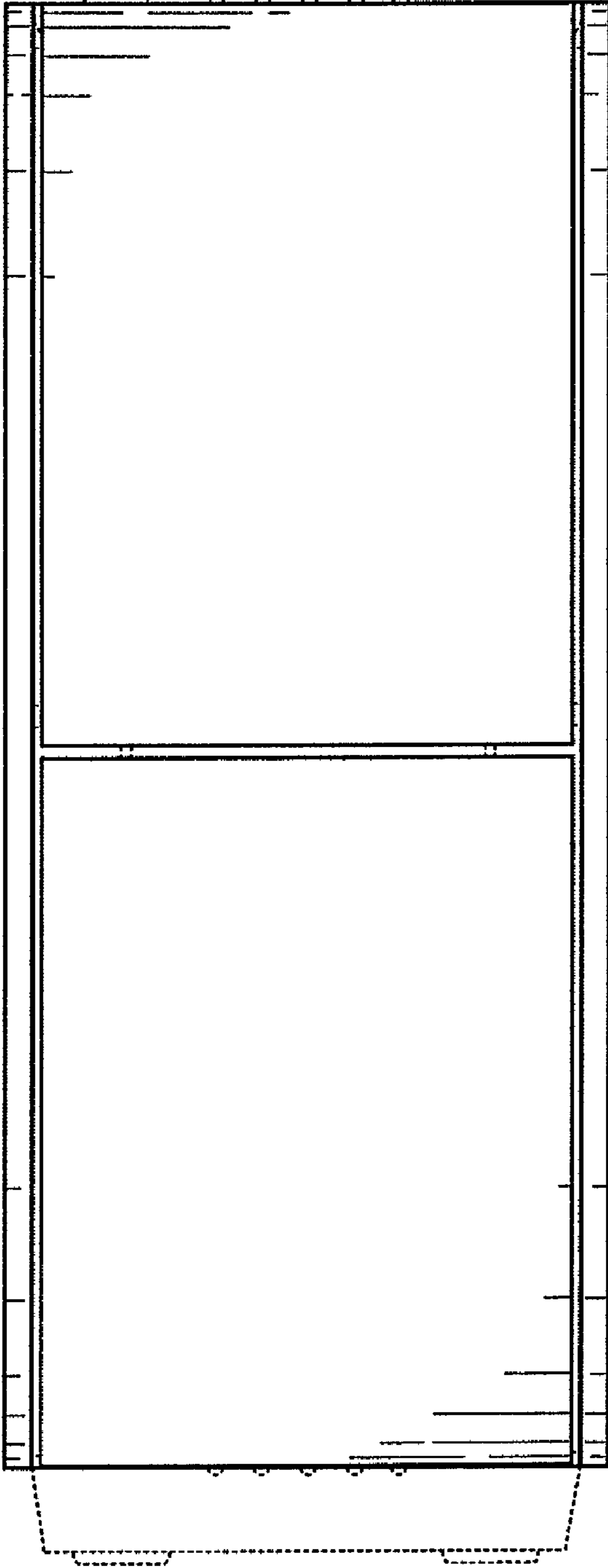


FIG. 2

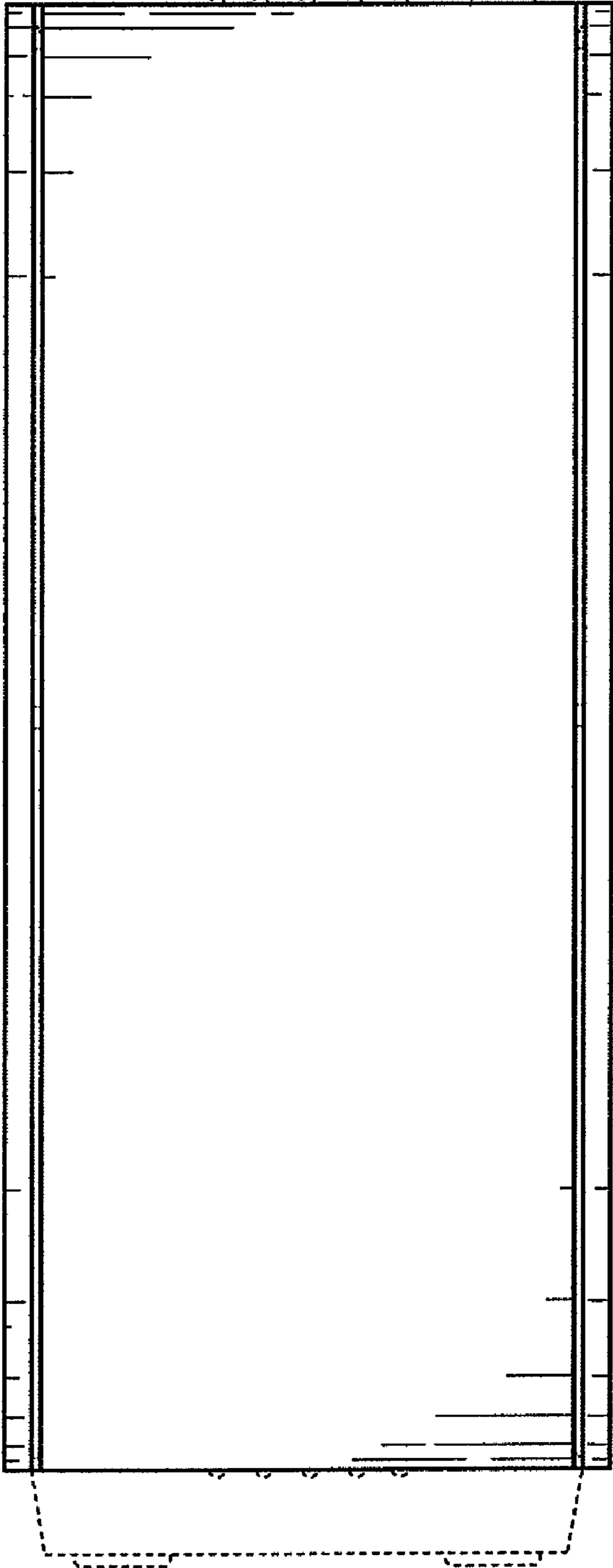


FIG. 3

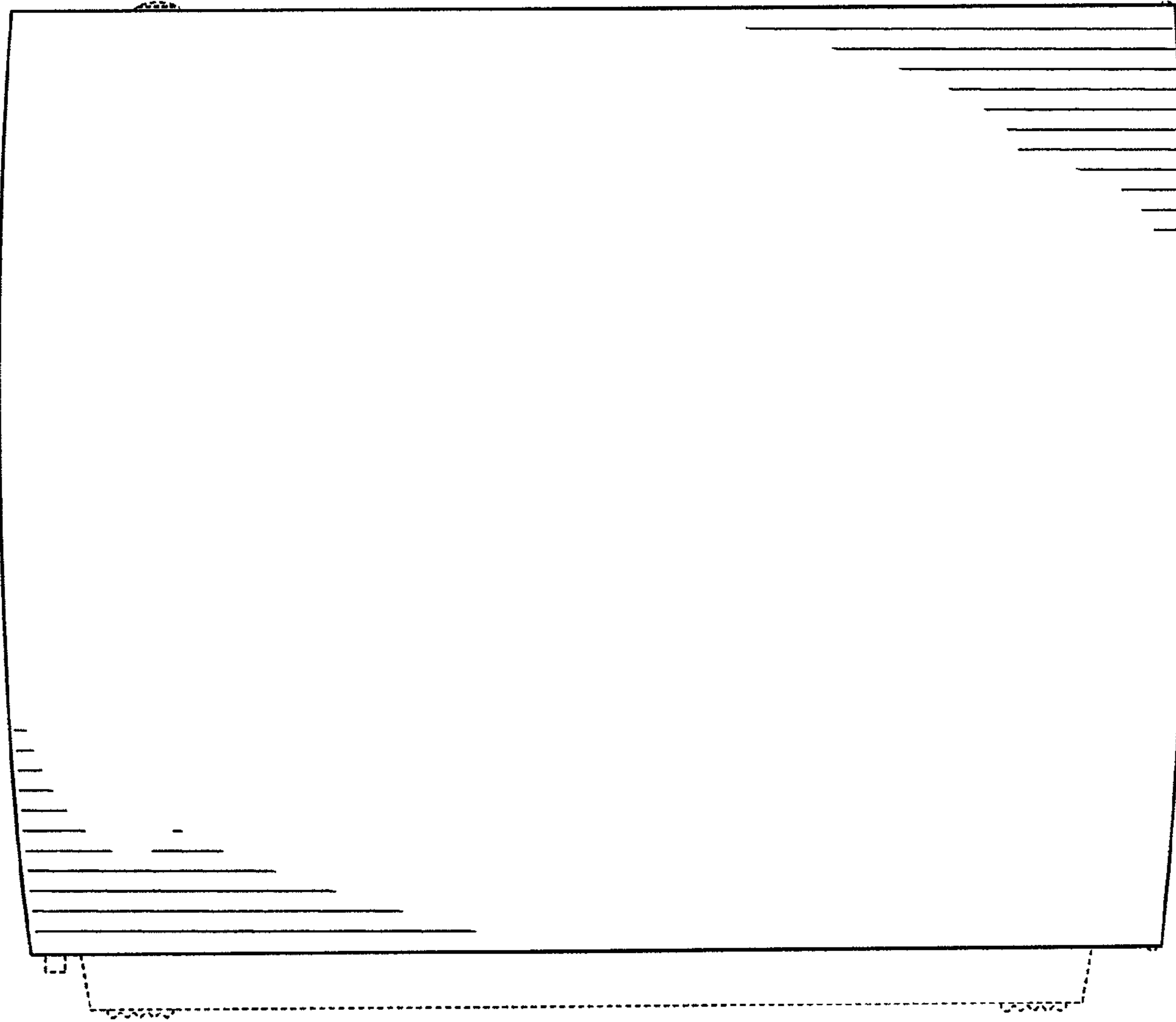


FIG. 4

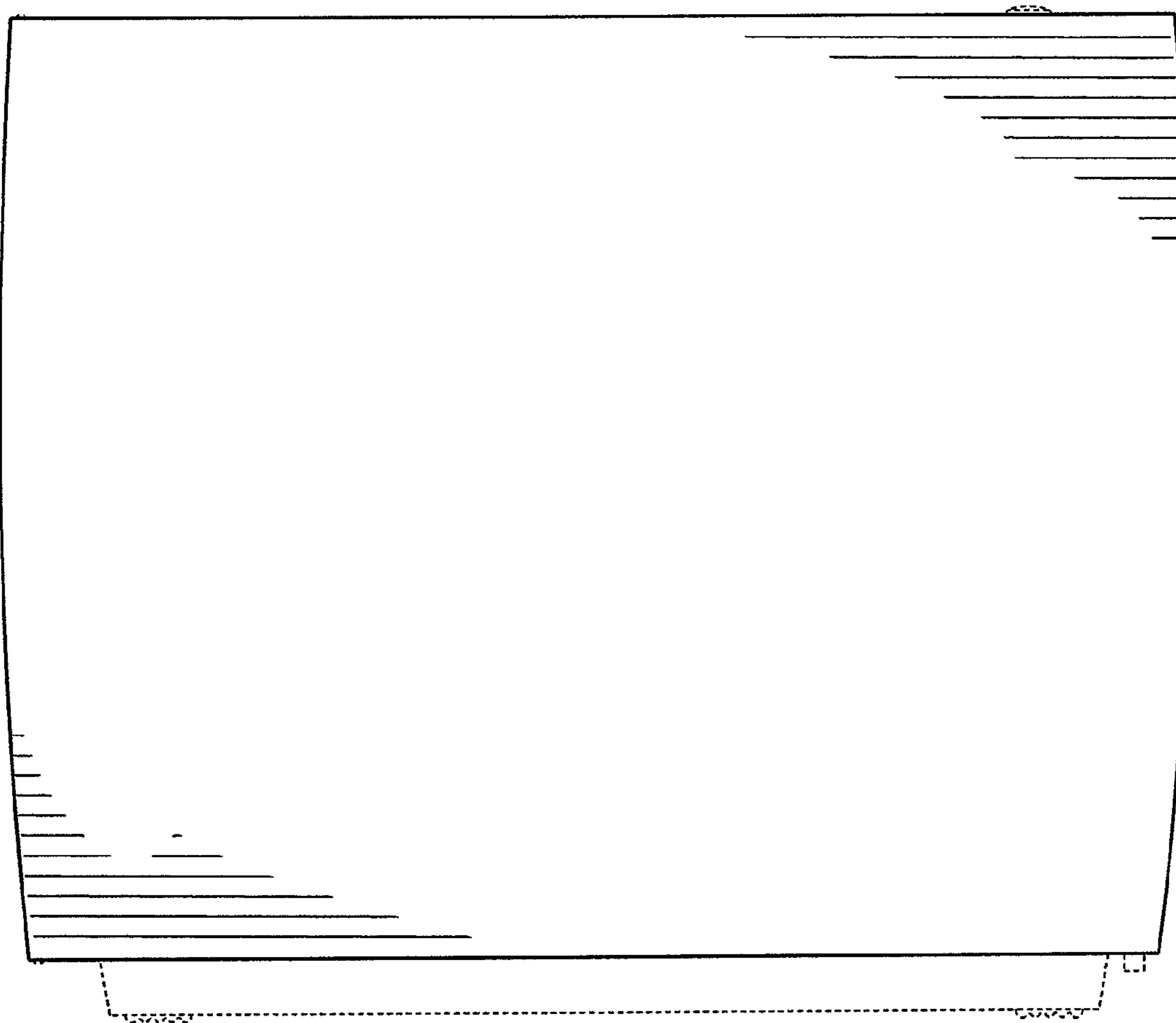


FIG. 5

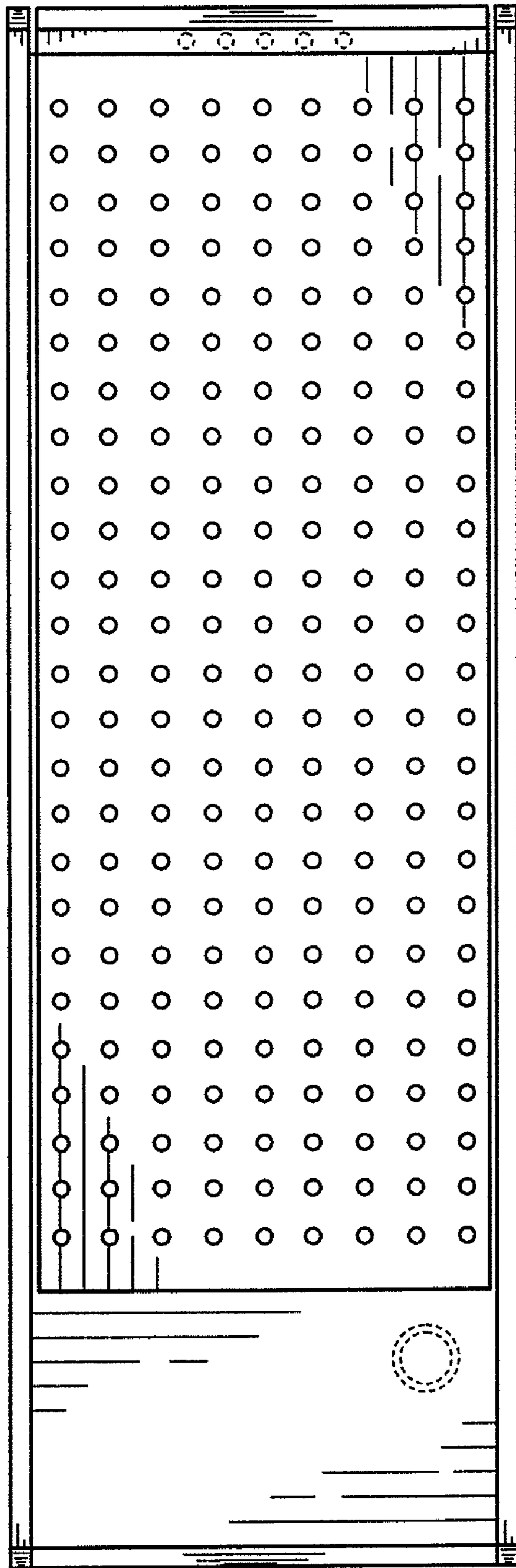


FIG. 6



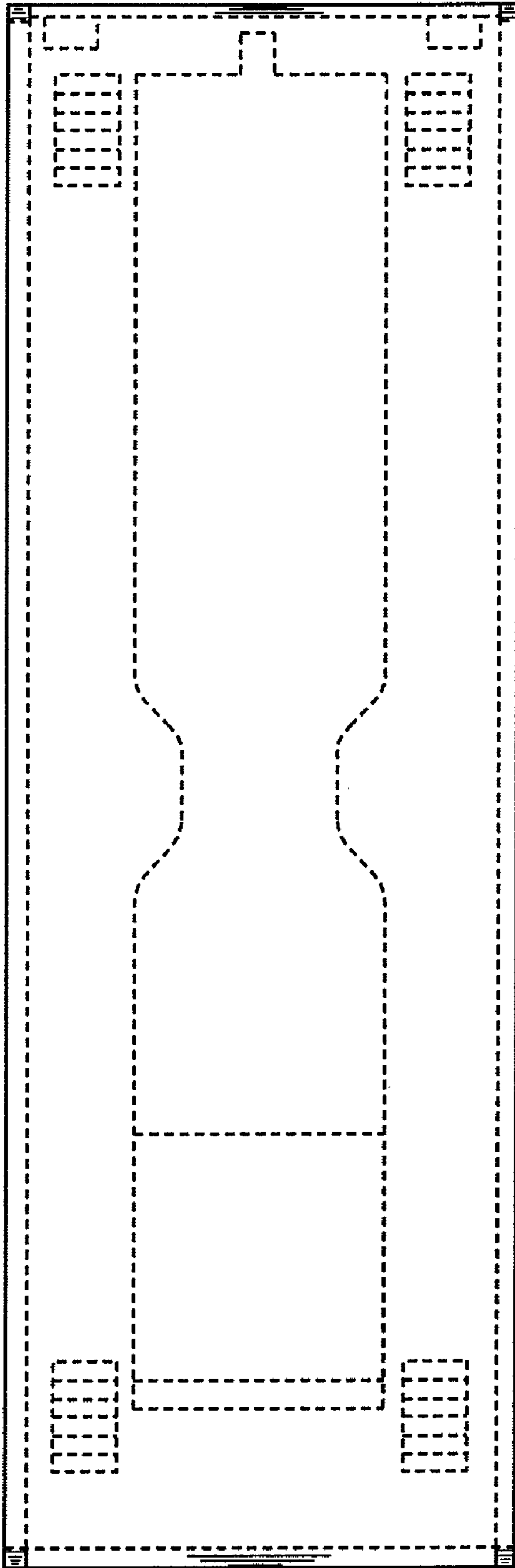


FIG. 7

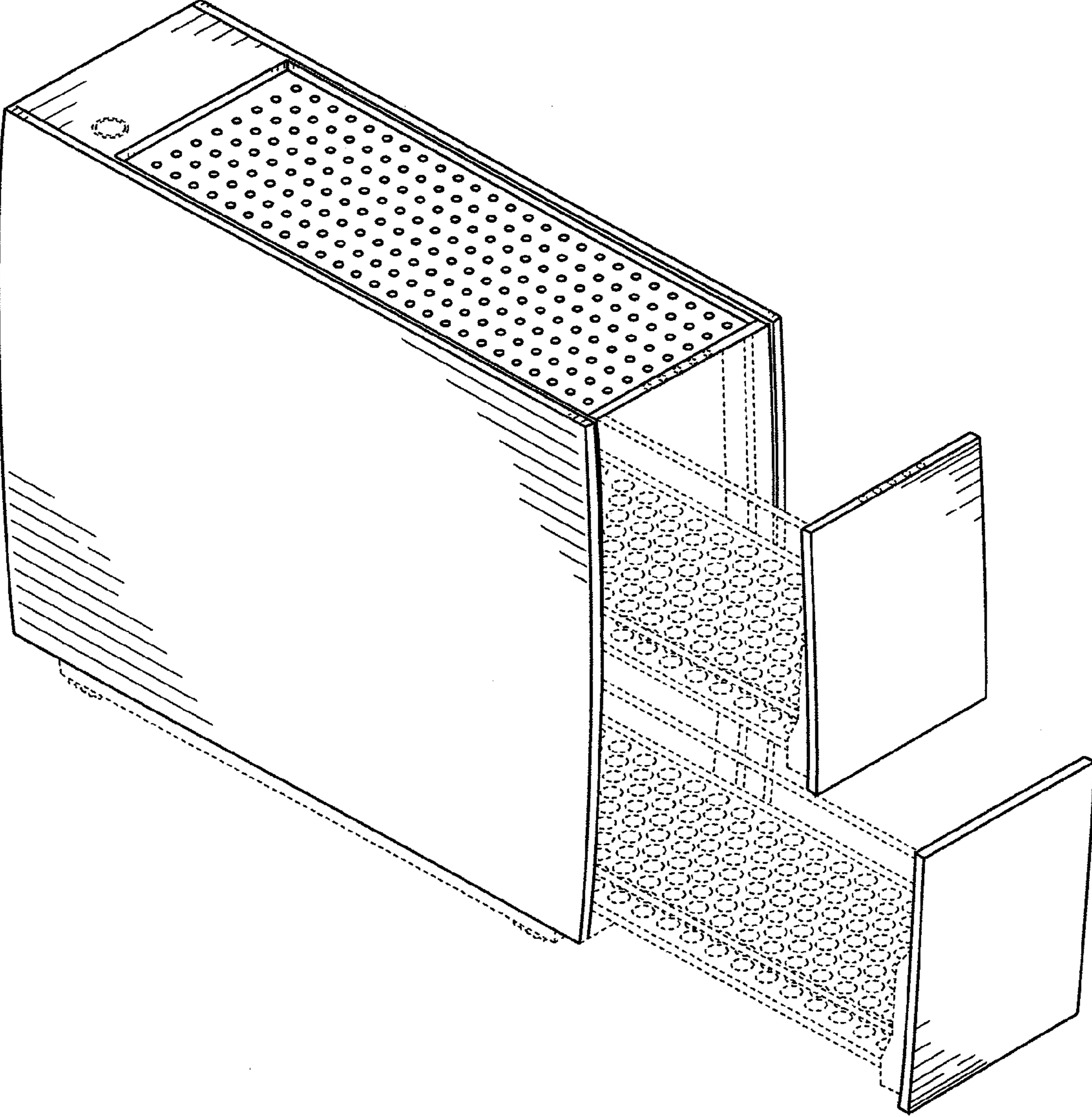


FIG. 8

UNITED STATES PATENT AND TRADEMARK OFFICE  
**CERTIFICATE OF CORRECTION**

PATENT NO. : D628,427 S  
APPLICATION NO. : 29/353374  
DATED : December 7, 2010  
INVENTOR(S) : Stauffacher

Page 1 of 1

It is certified that error appears in the above-identified patent and that said Letters Patent is hereby corrected as shown below:

Title page.

Insert the following:

--(30) **Foreign Application Priority Data**

July 7, 2009 INTERNATIONAL BUREAU OF THE WORLD INTELLECTUAL PROPERTY  
ORGANIZATION (WIPO) DM/072034--.

Signed and Sealed this  
Nineteenth Day of July, 2011

A handwritten signature in black ink that reads "David J. Kappos". The signature is written in a cursive, slightly slanted style.

David J. Kappos  
*Director of the United States Patent and Trademark Office*