



US00D628424S

(12) **United States Design Patent**
Duffey

(10) **Patent No.:** **US D628,424 S**

(45) **Date of Patent:** **** Dec. 7, 2010**

(54) **BED SHEET**

6,122,780 A * 9/2000 Taylor 5/417
6,453,492 B1 * 9/2002 Sturrock 5/482

(76) Inventor: **Tanja Duffey**, 6110 N. Hancock Ave.,
Davenport, IA (US) 52806

* cited by examiner

(**) Term: **14 Years**

Primary Examiner—Janice E Seeger
(74) *Attorney, Agent, or Firm*—Hamilton IP Law, PC.; Jay R.
Hamilton; Charles A. Damschen

(21) Appl. No.: **29/352,463**

(22) Filed: **Dec. 21, 2009**

(57) **CLAIM**

(51) **LOC (9) Cl.** **06-09**

The ornamental design for a bed sheet, as shown and described.

(52) **U.S. Cl.** **D6/602**

(58) **Field of Classification Search** D6/595,
D6/596, 601, 602, 603, 605; 5/482, 485,
5/488-491, 494-502, 907

DESCRIPTION

See application file for complete search history.

FIG. 1 is a front perspective view showing my new design;
FIG. 2 is a front perspective view with a portion expanded
thereof;

(56) **References Cited**

FIG. 3 is a top view thereof;

U.S. PATENT DOCUMENTS

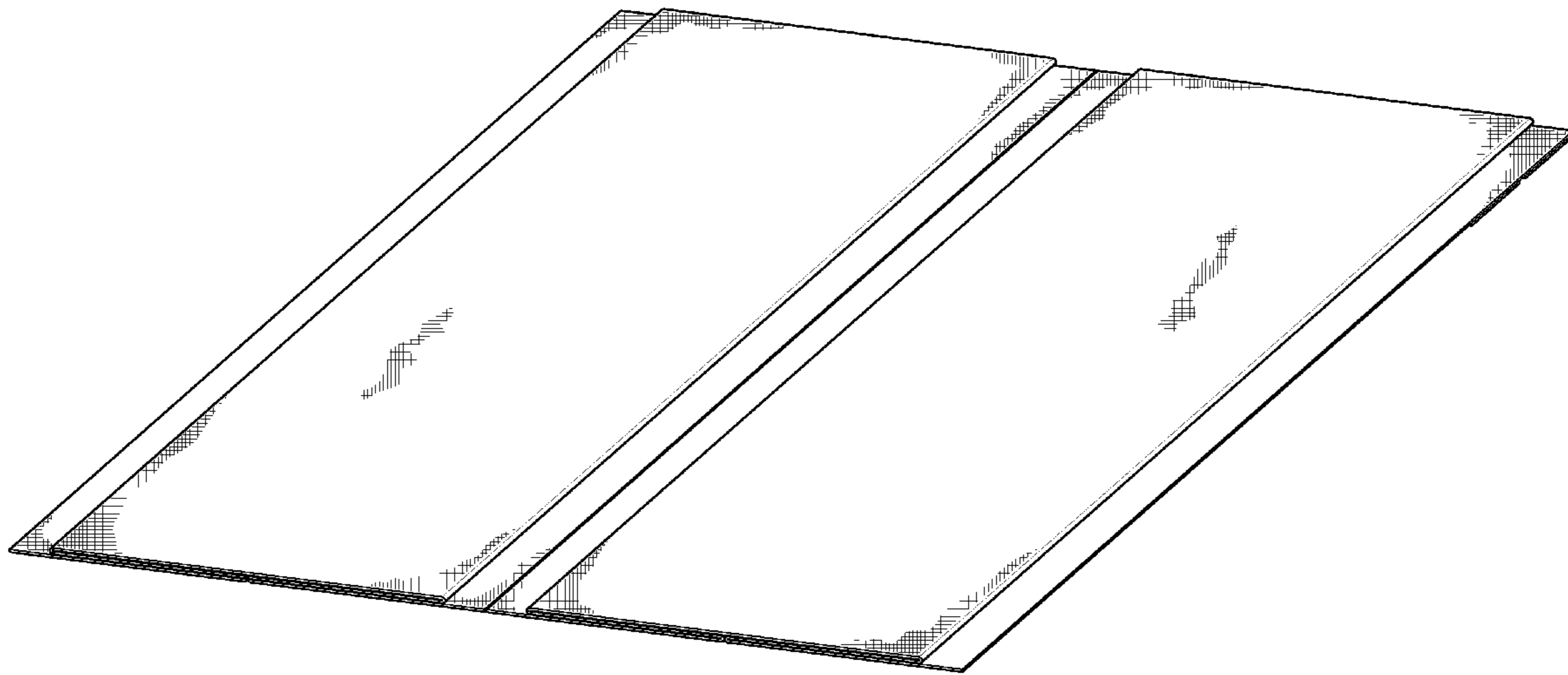
FIG. 4 is a bottom side view:

2,574,748 A * 11/1951 Meighan 5/494
D267,696 S * 1/1983 Adams D6/602
4,546,508 A * 10/1985 Ison 5/494
D359,871 S * 7/1995 Fortran D6/603

FIG. 5 is an end view of FIG. 1 thereof; and,

FIG. 6 is an end view of FIG. 2 thereof.

1 Claim, 5 Drawing Sheets



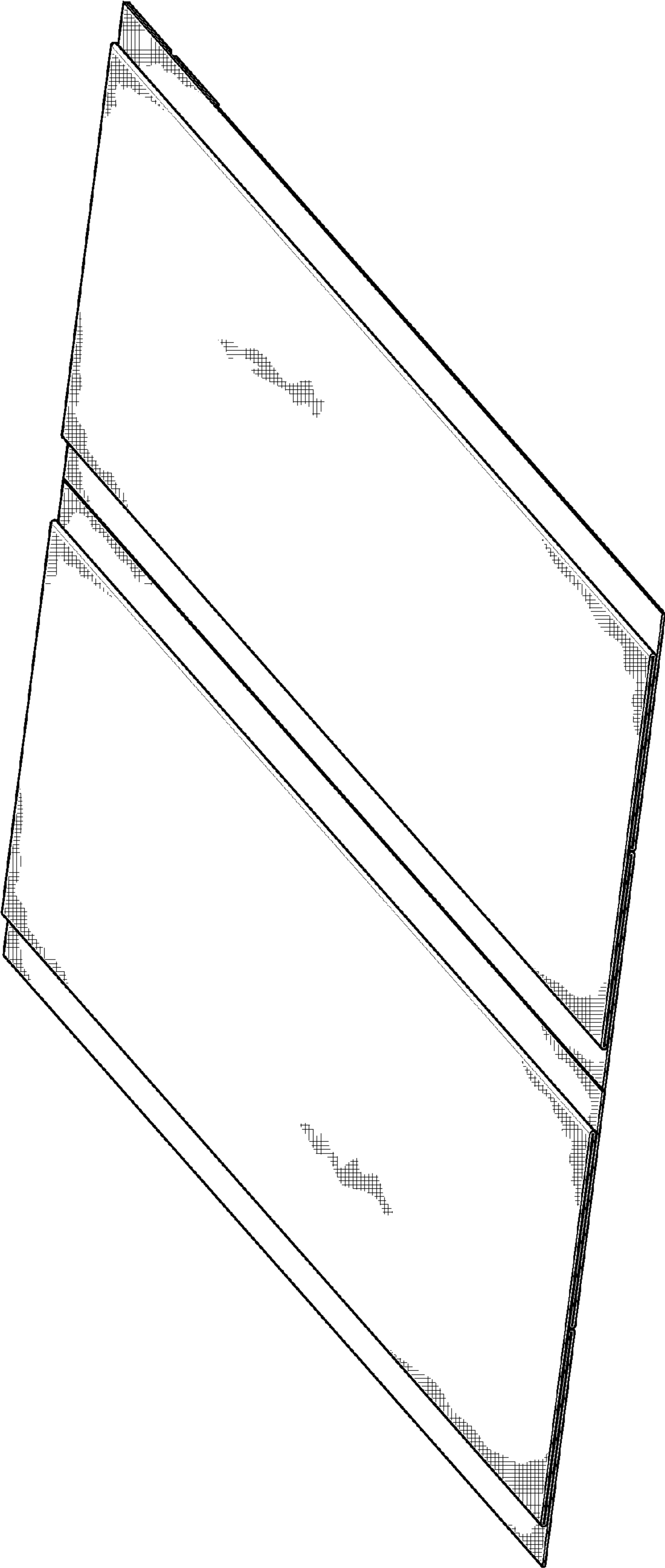


FIG. 1

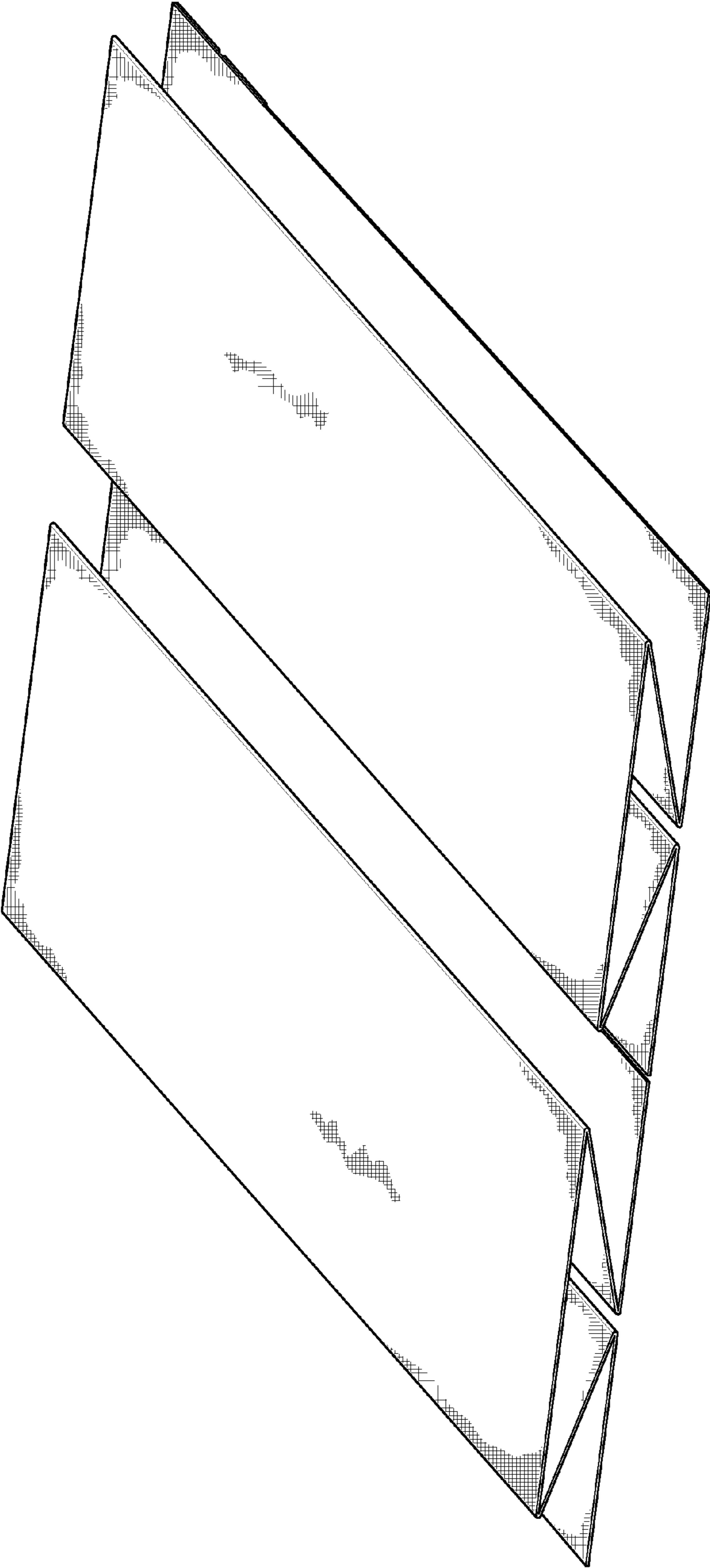


FIG. 2

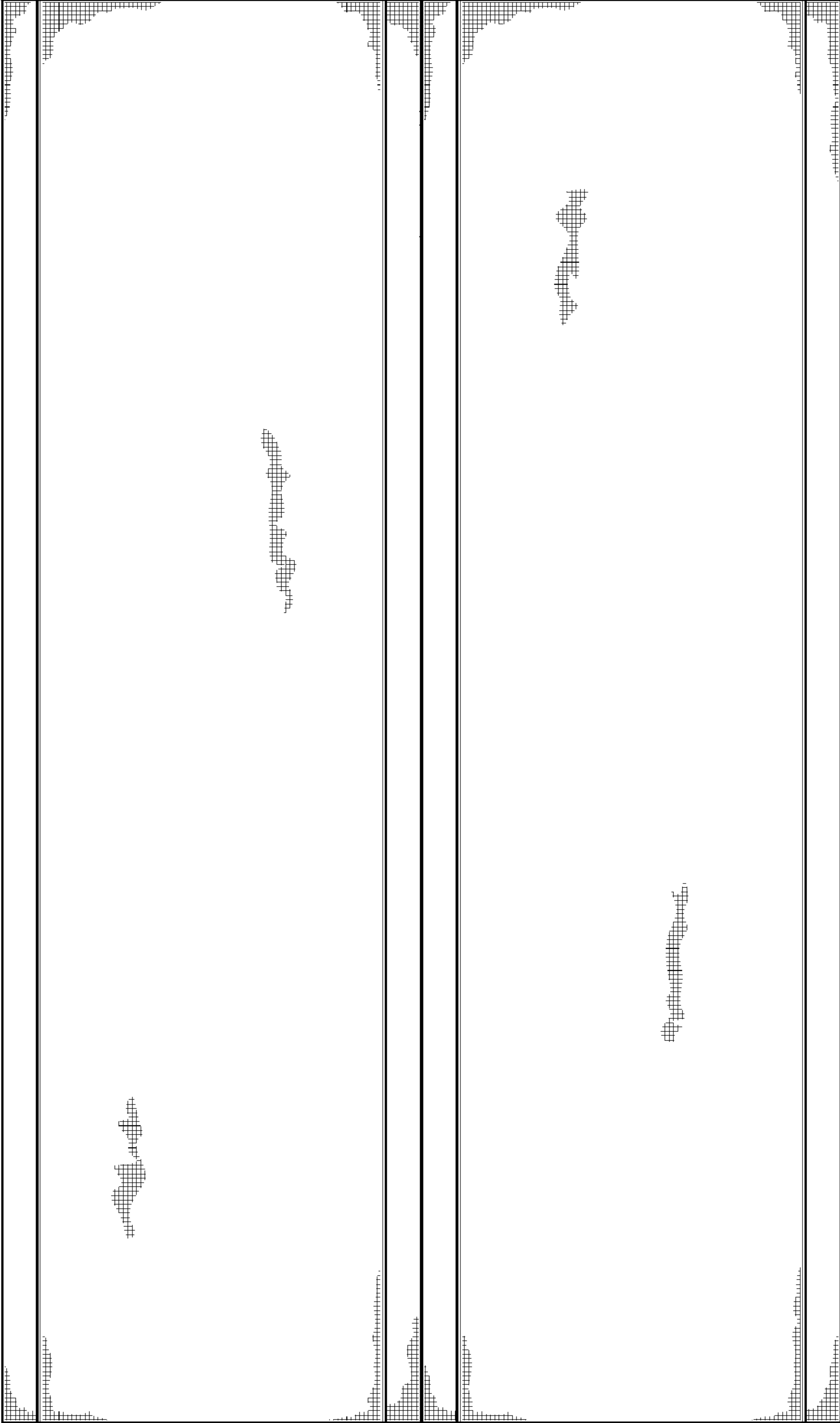


FIG. 3

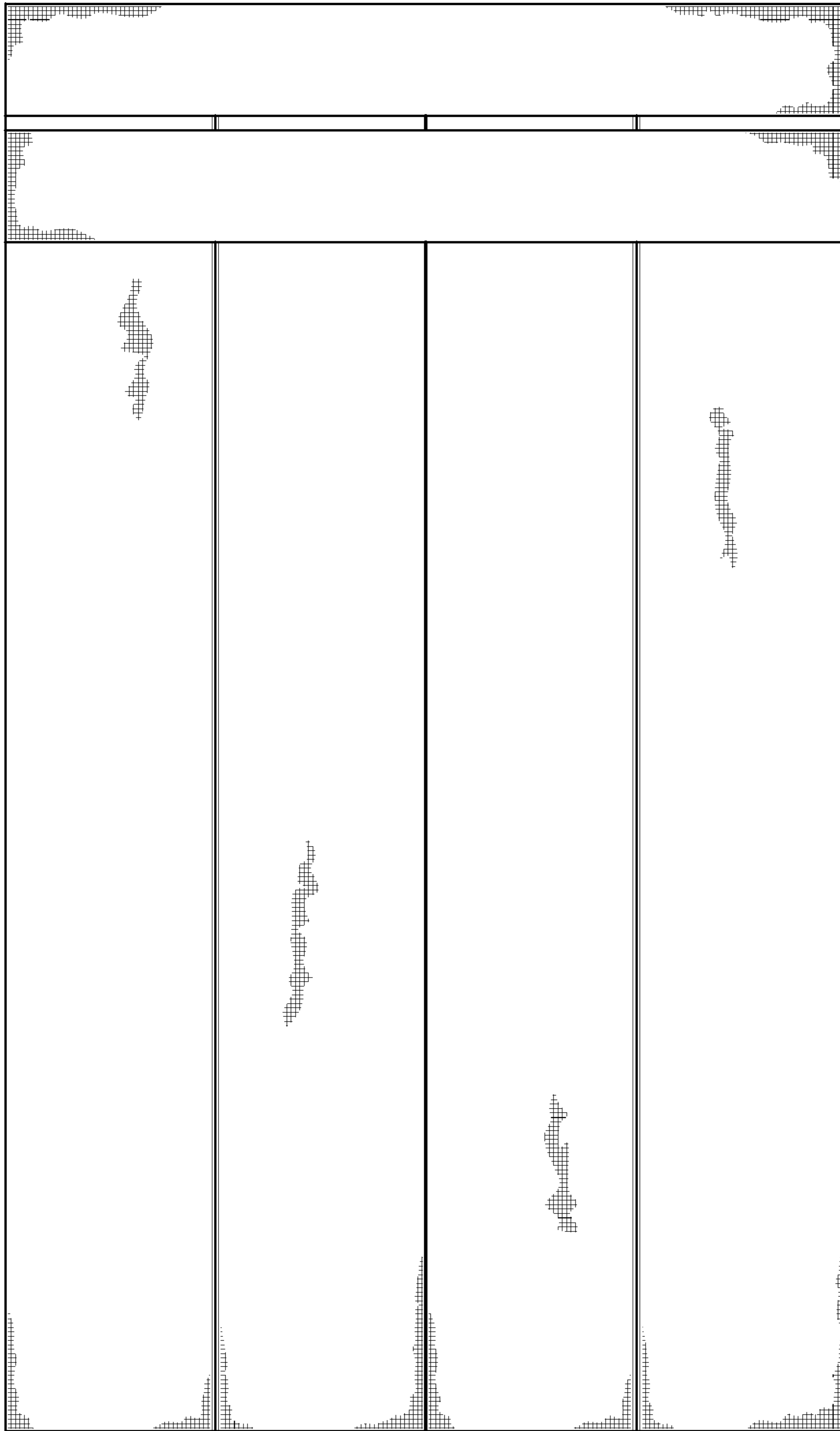


FIG. 4



FIG. 5

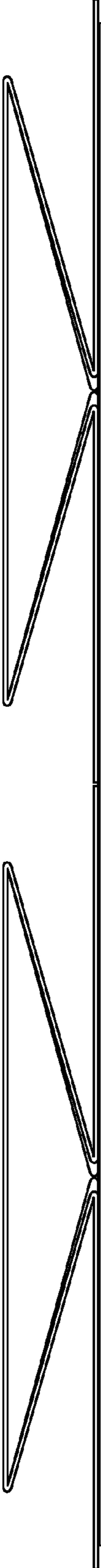


FIG. 6