



US00D628417S

(12) **United States Design Patent**
Benedetti et al.

(10) **Patent No.:** **US D628,417 S**

(45) **Date of Patent:** **** Dec. 7, 2010**

(54) **TOILET PAPER DISPENSER**

(75) Inventors: **Giovanni Benedetti**, Wishaw (GB);
Peter Orgna, Gothenburg (SE); **Joakim Norin**, Stockholm (SE)

(73) Assignee: **SCA Hygiene Products AB**, Gothenburg (SE)

(**) Term: **14 Years**

(21) Appl. No.: **29/353,004**

(22) Filed: **Dec. 30, 2009**

(30) **Foreign Application Priority Data**

Jun. 30, 2009 (EM) 001149447

(51) **LOC (9) Cl.** **23-02**

(52) **U.S. Cl.** **D6/523**

(58) **Field of Classification Search** D6/515-523;
206/225, 233, 389, 391; 211/13.1; 222/173,
222/180; 221/26, 33, 282-283; 242/270,
242/590; 248/309.1, 309.2, 905
See application file for complete search history.

(56) **References Cited**

U.S. PATENT DOCUMENTS

D405,992 S * 2/1999 Lee et al. D6/522
D406,208 S * 3/1999 Law D6/523
D486,680 S * 2/2004 AlJizawi D6/522

D512,253 S * 12/2005 Hoernig D6/523
D520,787 S * 5/2006 Ferrer Beltran D6/523
D522,294 S * 6/2006 Ferrer Beltran D6/523
D529,320 S * 10/2006 Corral D6/518
D547,985 S * 8/2007 Kubota D6/522
D569,144 S * 5/2008 Mapp D6/518
D573,821 S * 7/2008 Rubin et al. D6/523
D578,329 S * 10/2008 Wells et al. D6/518

* cited by examiner

Primary Examiner—Brian N Vinson

(74) *Attorney, Agent, or Firm*—Young & Thompson

(57) **CLAIM**

The ornamental design for a toilet paper dispenser, as shown and described.

DESCRIPTION

FIG. 1 is a front, right side and top perspective view of a first embodiment of a toilet paper dispenser showing our new design;

FIG. 2 is a front elevational view thereof;

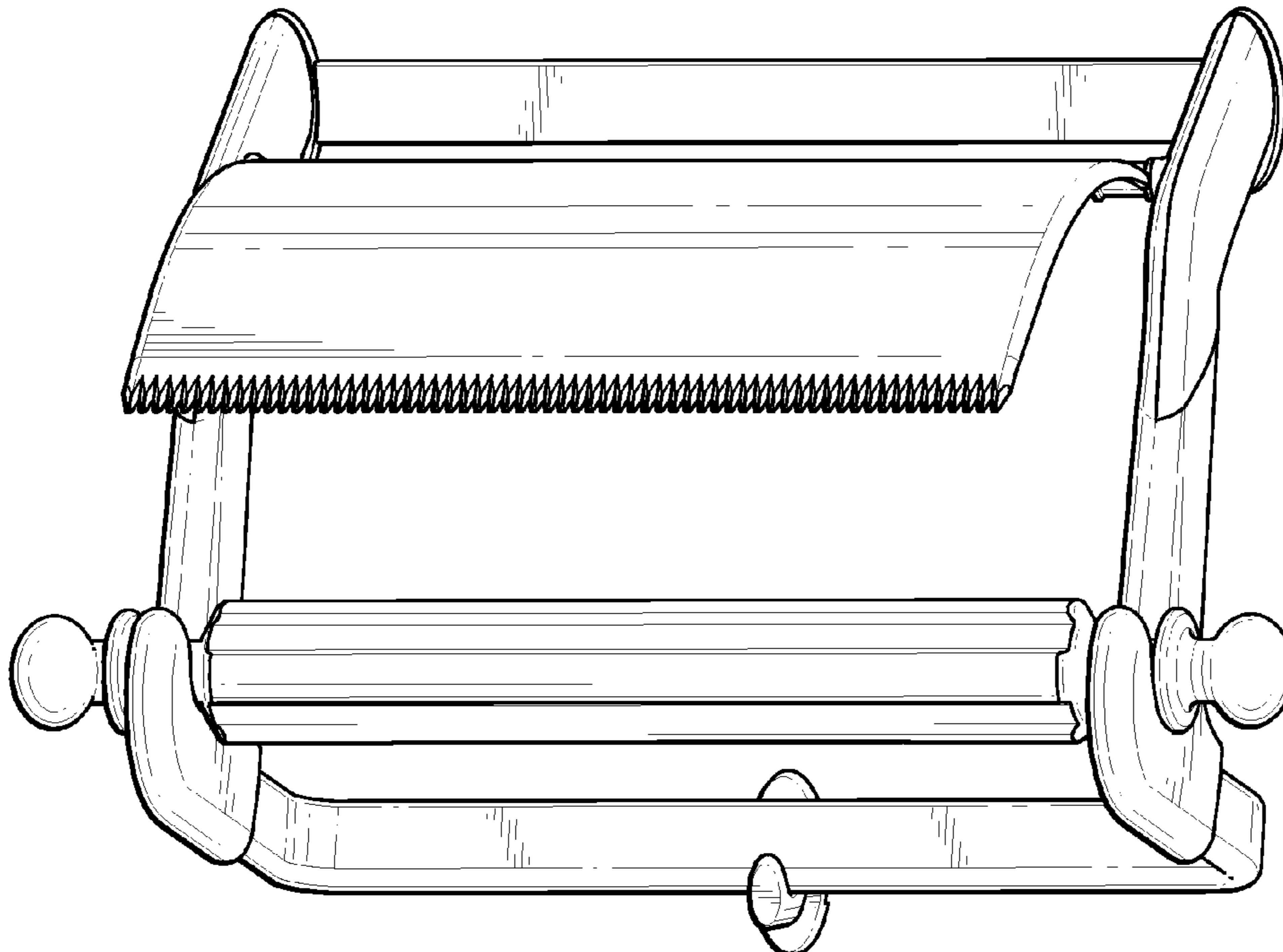
FIG. 3 is a rear elevational view thereof;

FIG. 4 is a top plan view thereof;

FIG. 5 is a bottom plan view thereof; and,

FIG. 6 is a right side elevational view thereof, the left side elevational view being a mirror image thereof.

1 Claim, 6 Drawing Sheets



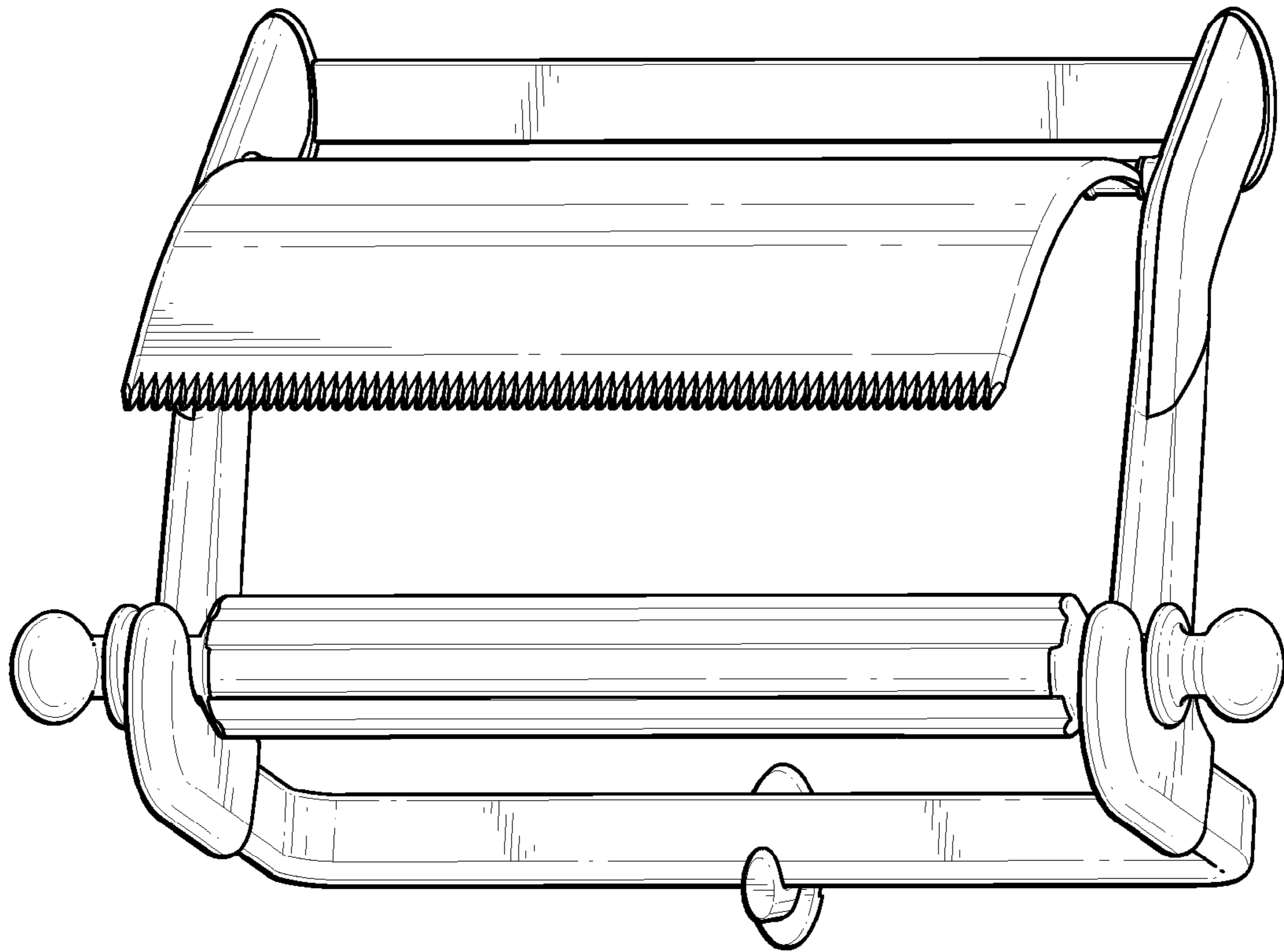


FIG. 1

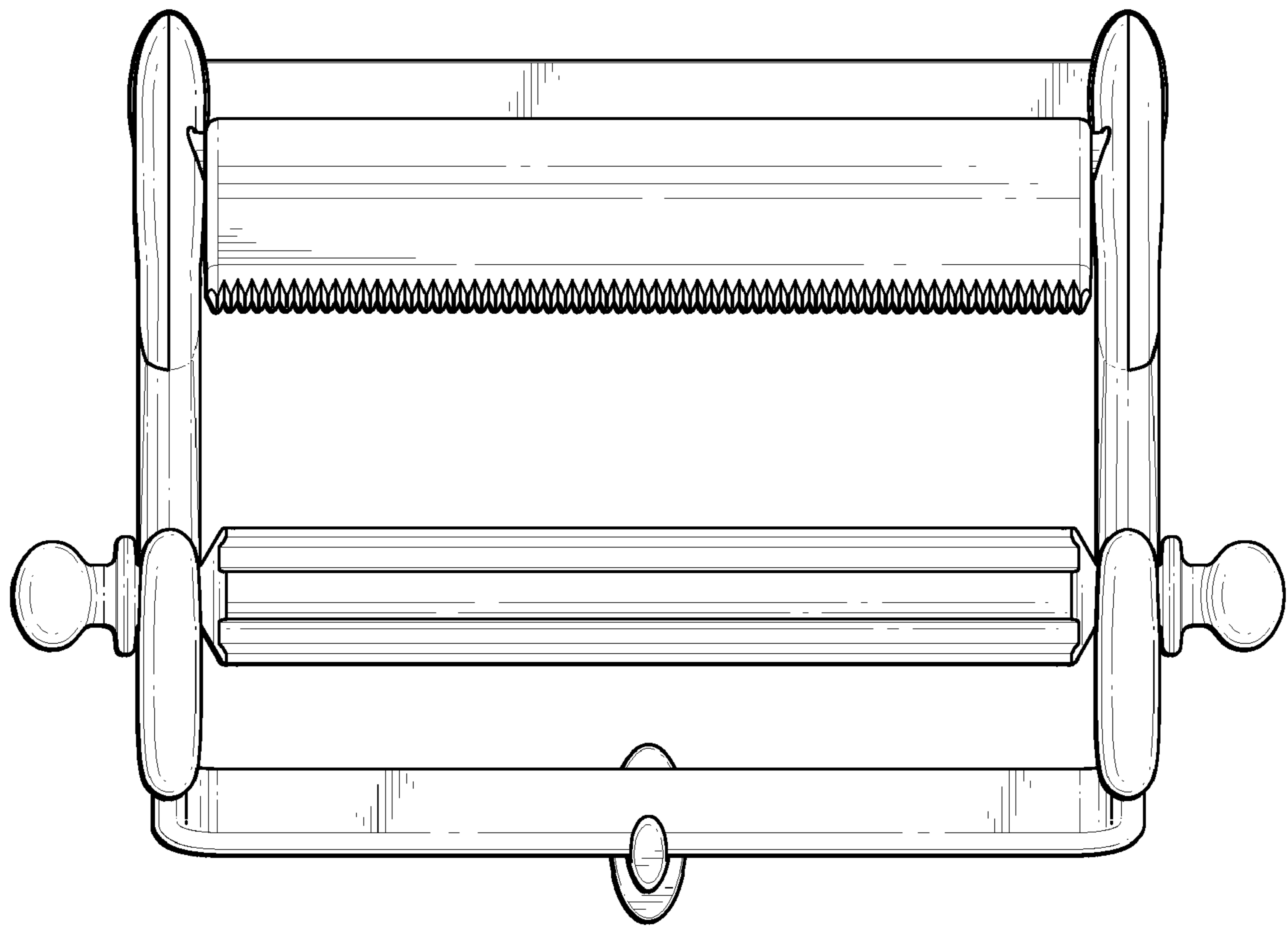


FIG. 2

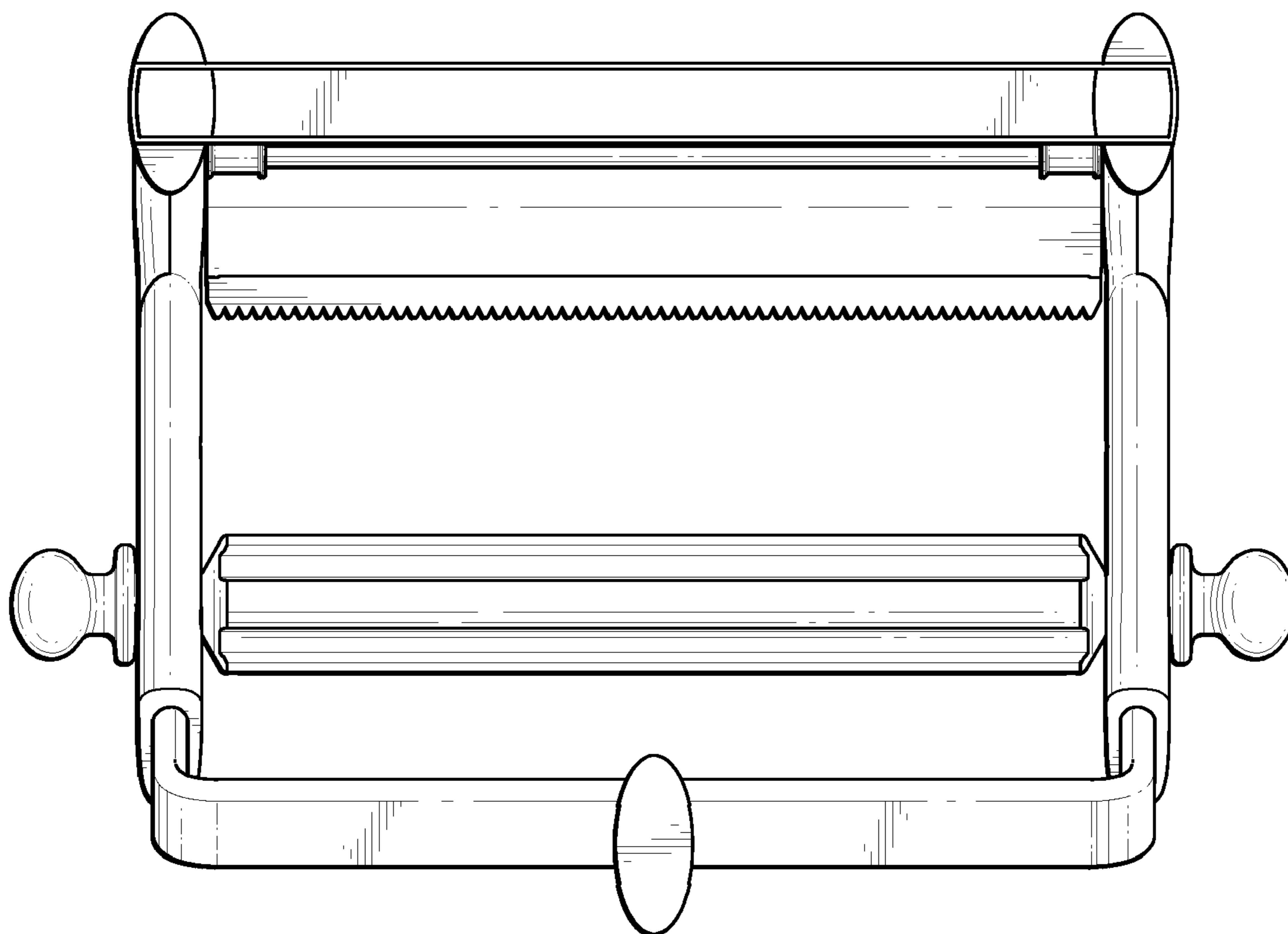


FIG. 3

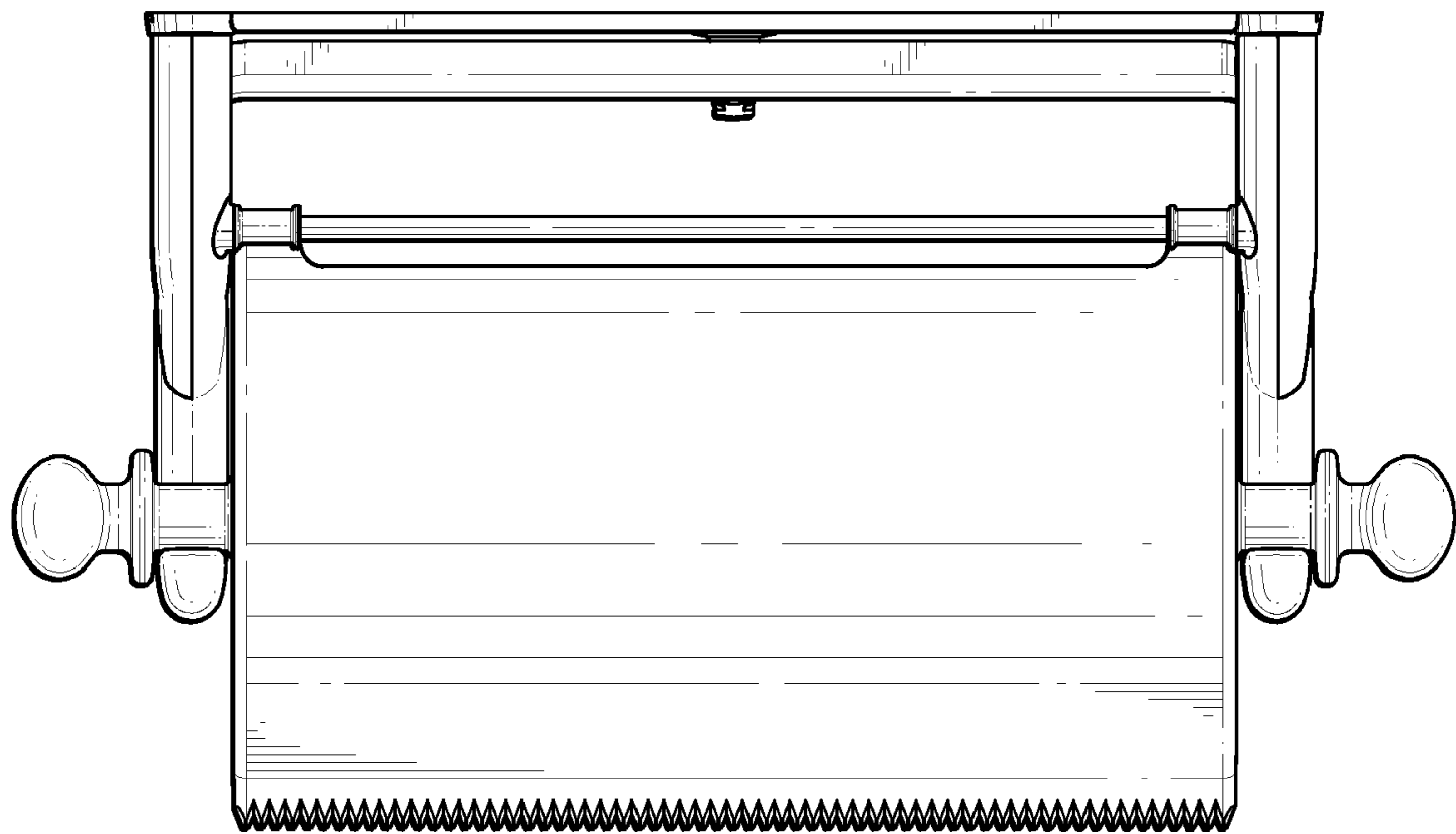


FIG. 4

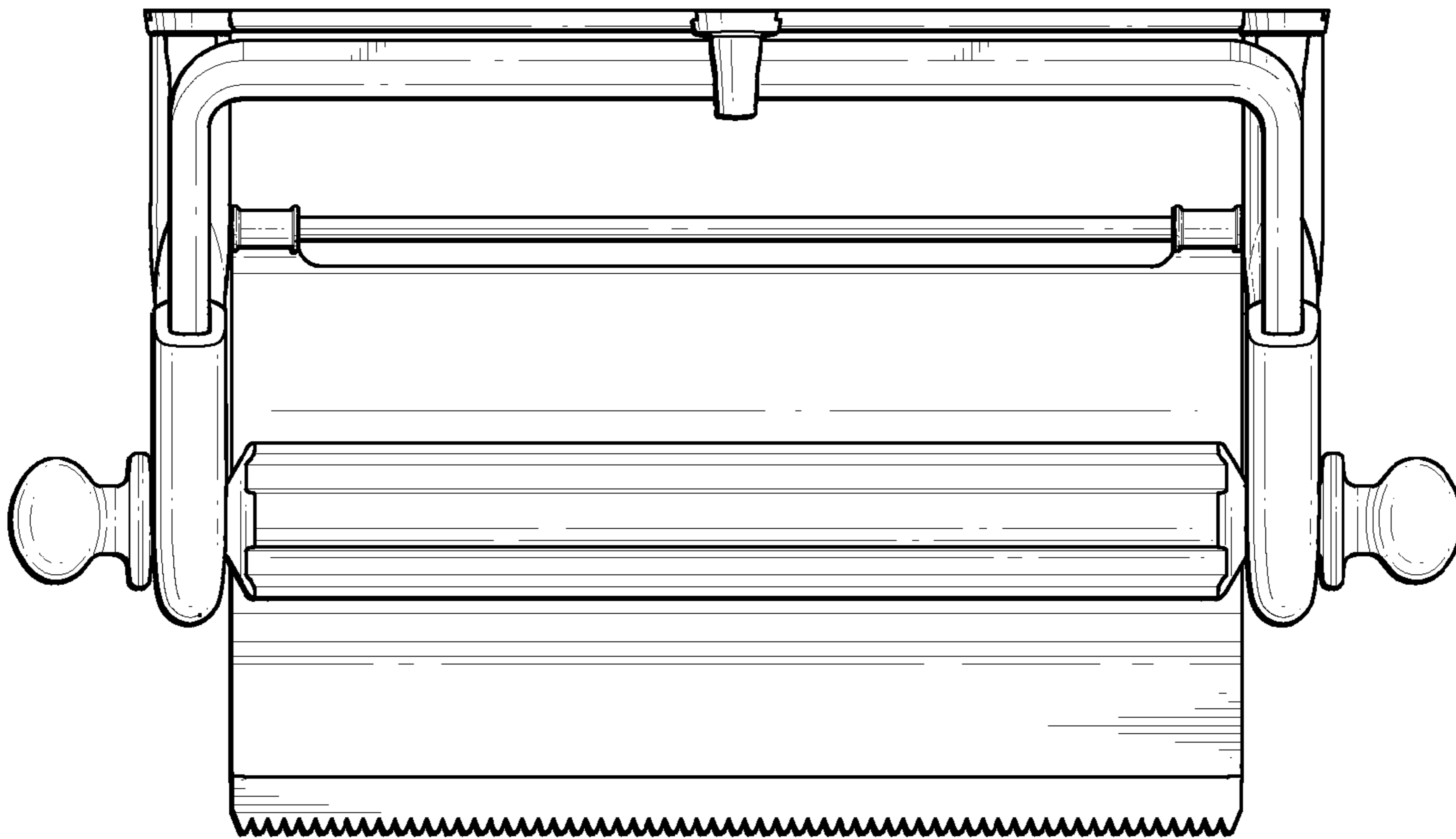


FIG. 5

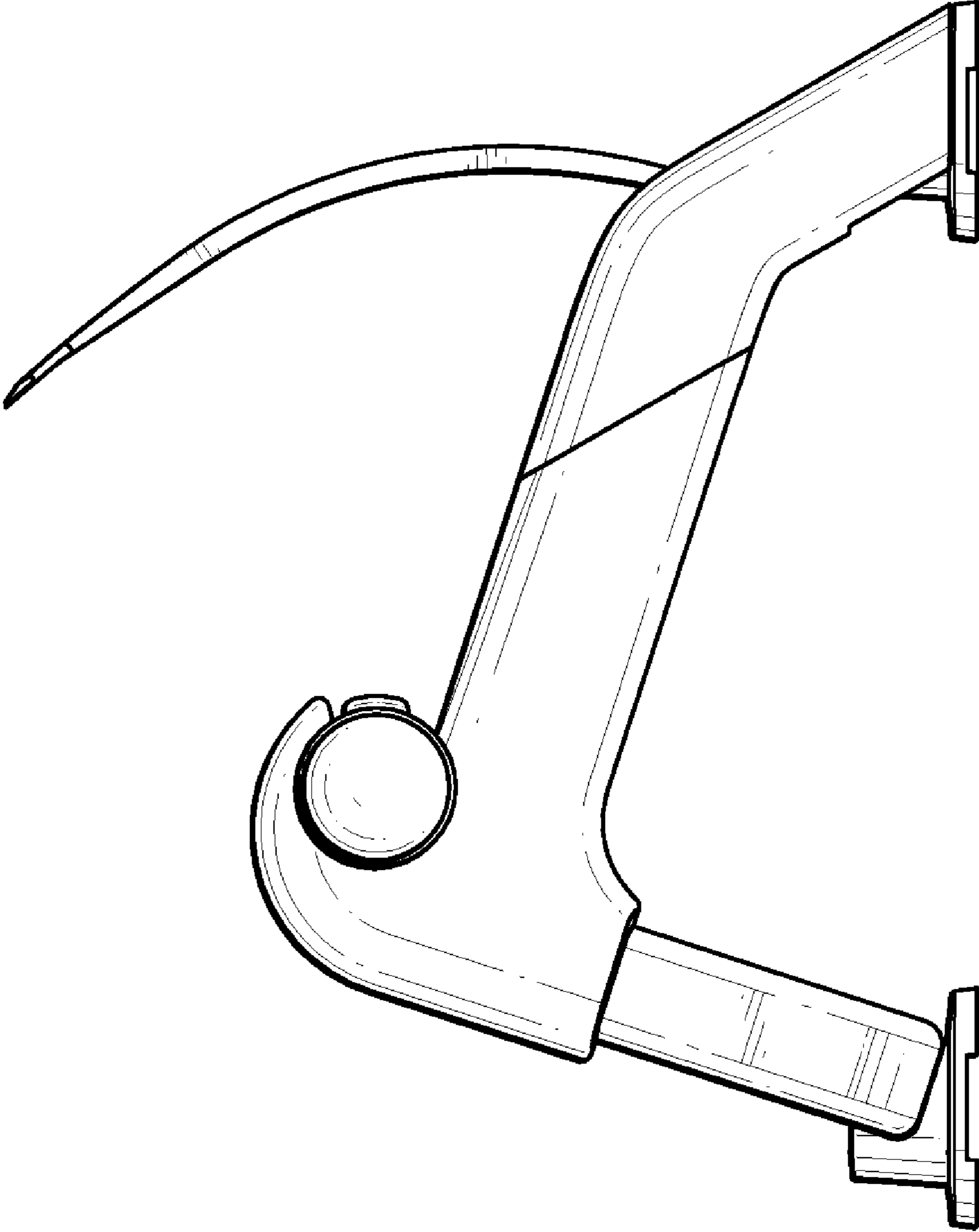


FIG. 6