



US00D628412S

(12) **United States Design Patent**
Lambert

(10) **Patent No.:** **US D628,412 S**

(45) **Date of Patent:** **** Dec. 7, 2010**

(54) **TABLE LEG**

(75) **Inventor:** **Fabrice Lambert, Vaux En Bugey (FR)**

(73) **Assignee:** **Grosfillex SAS, Oyonnax (FR)**

(**) **Term:** **14 Years**

(21) **Appl. No.:** **29/311,726**

(22) **Filed:** **Jun. 8, 2009**

(30) **Foreign Application Priority Data**

Dec. 9, 2008 (EP) 001053748-0011

(51) **LOC (9) Cl.** **06-06**

(52) **U.S. Cl.** **D6/499**

(58) **Field of Classification Search** D6/480-489,
D6/429-431, 495-499; 108/150, 152, 153.1,
108/157.1, 161, 144.11, 146, 147.19; 248/188,
248/188.1, 188.7, 188.8

See application file for complete search history.

(56) **References Cited**

U.S. PATENT DOCUMENTS

D67,979 S * 8/1925 Turner D6/498
D319,159 S * 8/1991 Silbersky et al. D6/498
D463,686 S * 10/2002 Goodworth D6/486

D481,889 S * 11/2003 Ciabatti D6/498
D503,051 S * 3/2005 Plant D6/498
D575,967 S * 9/2008 Cuvilly D6/498

* cited by examiner

Primary Examiner—Janice E Seeger

(74) *Attorney, Agent, or Firm*—Dowell & Dowell, PC

(57) **CLAIM**

The ornamental design for a table leg, as shown and described.

DESCRIPTION

FIG. 1 is a front perspective view of a table leg showing my new design;

FIG. 2 is a front elevational view thereof, a view from the rear being a mirror image;

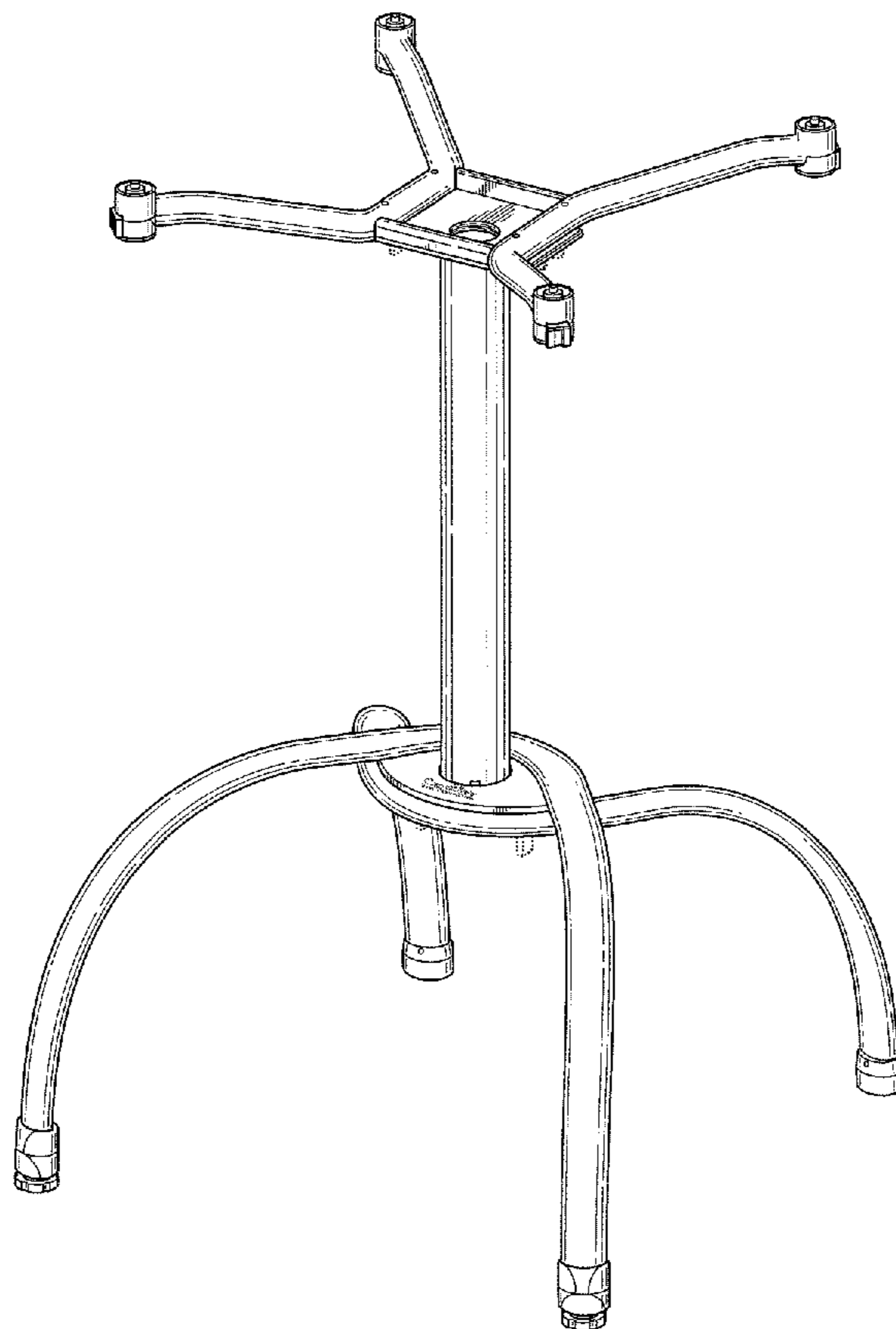
FIG. 3 is a right side view thereof, a view from the left side being a mirror image;

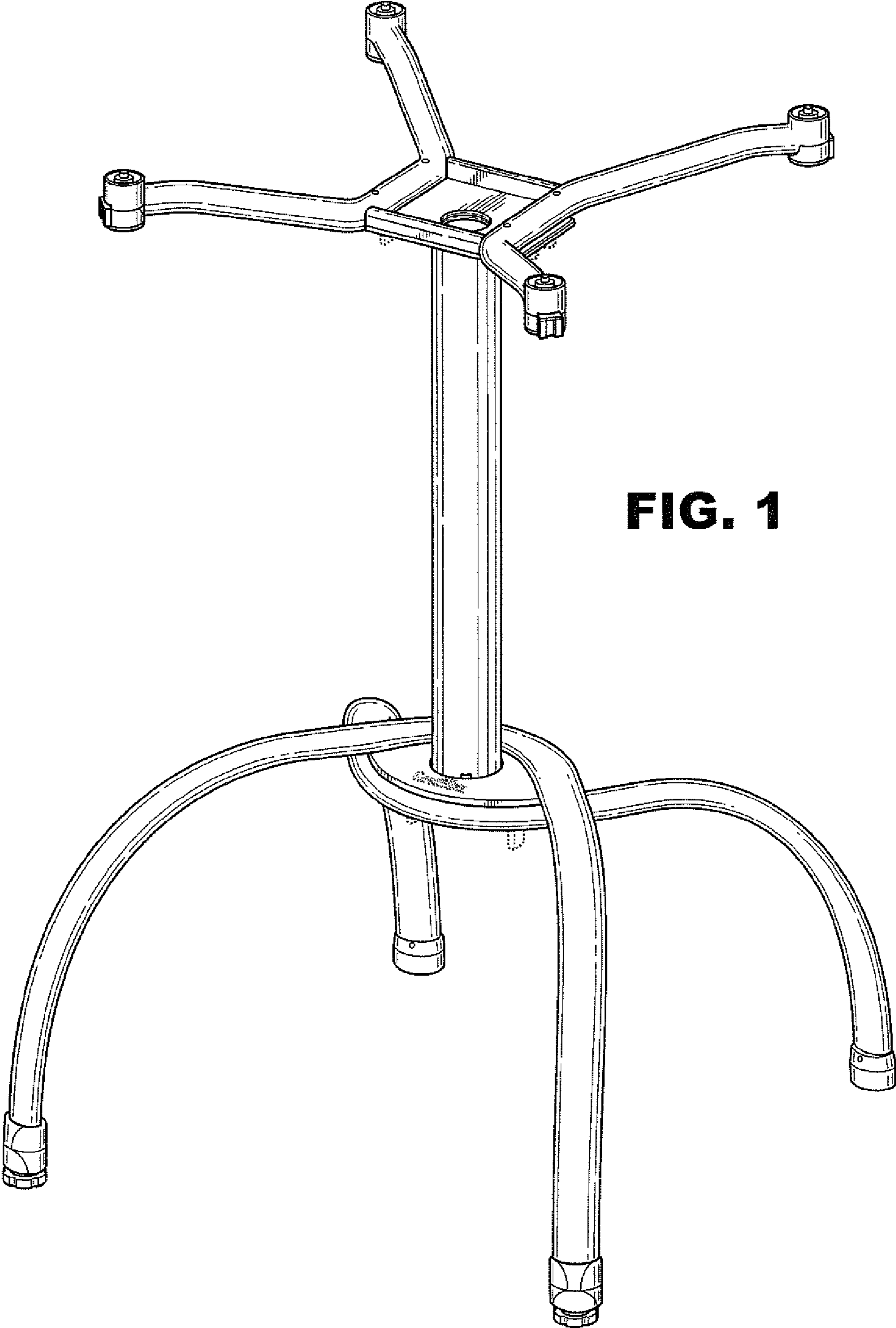
FIG. 4 is a top plan view thereof; and,

FIG. 5 is a bottom plan view thereof.

The broken lines are for environmental purposes only and form no part of the claimed design.

1 Claim, 5 Drawing Sheets





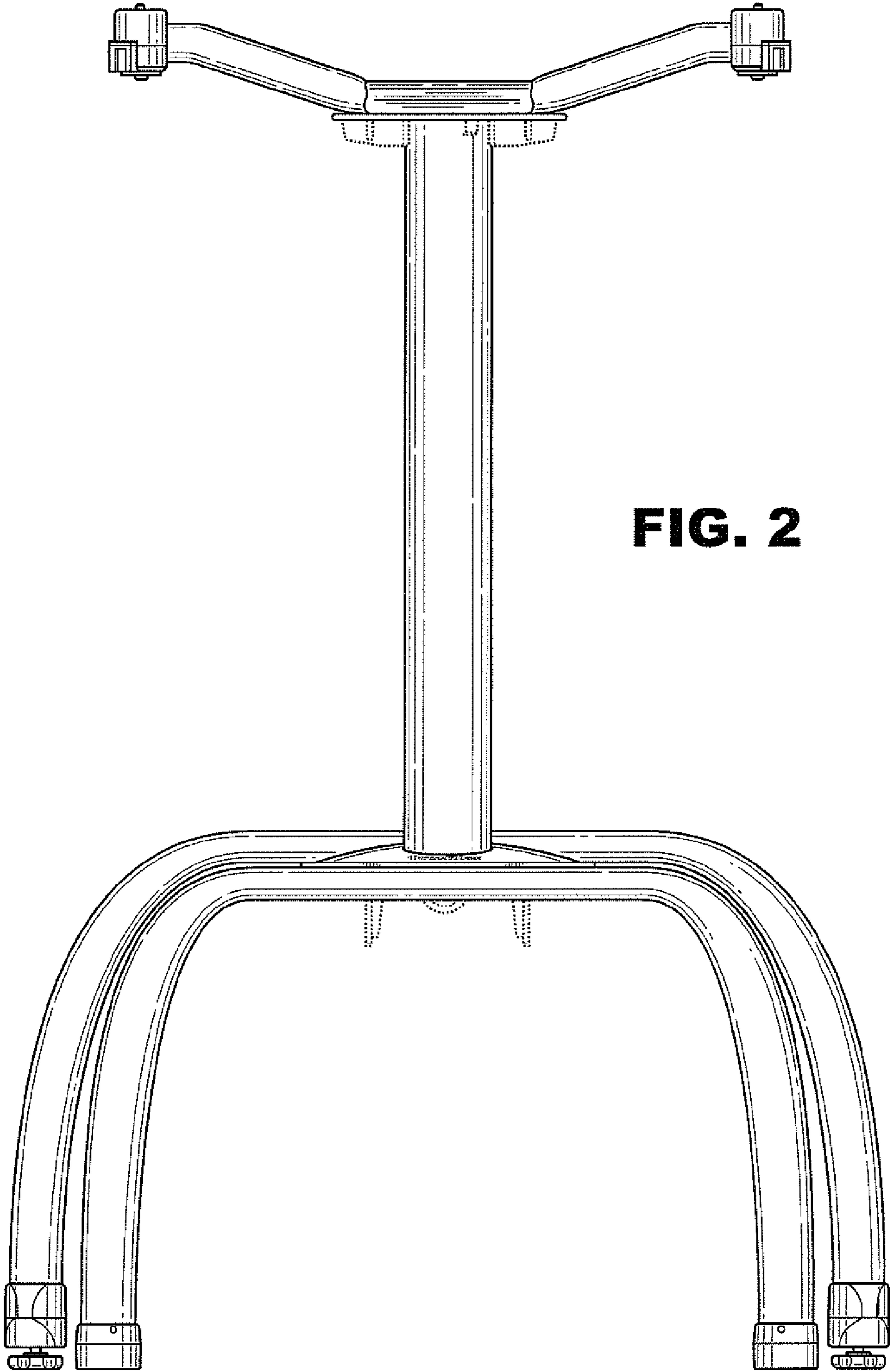


FIG. 2

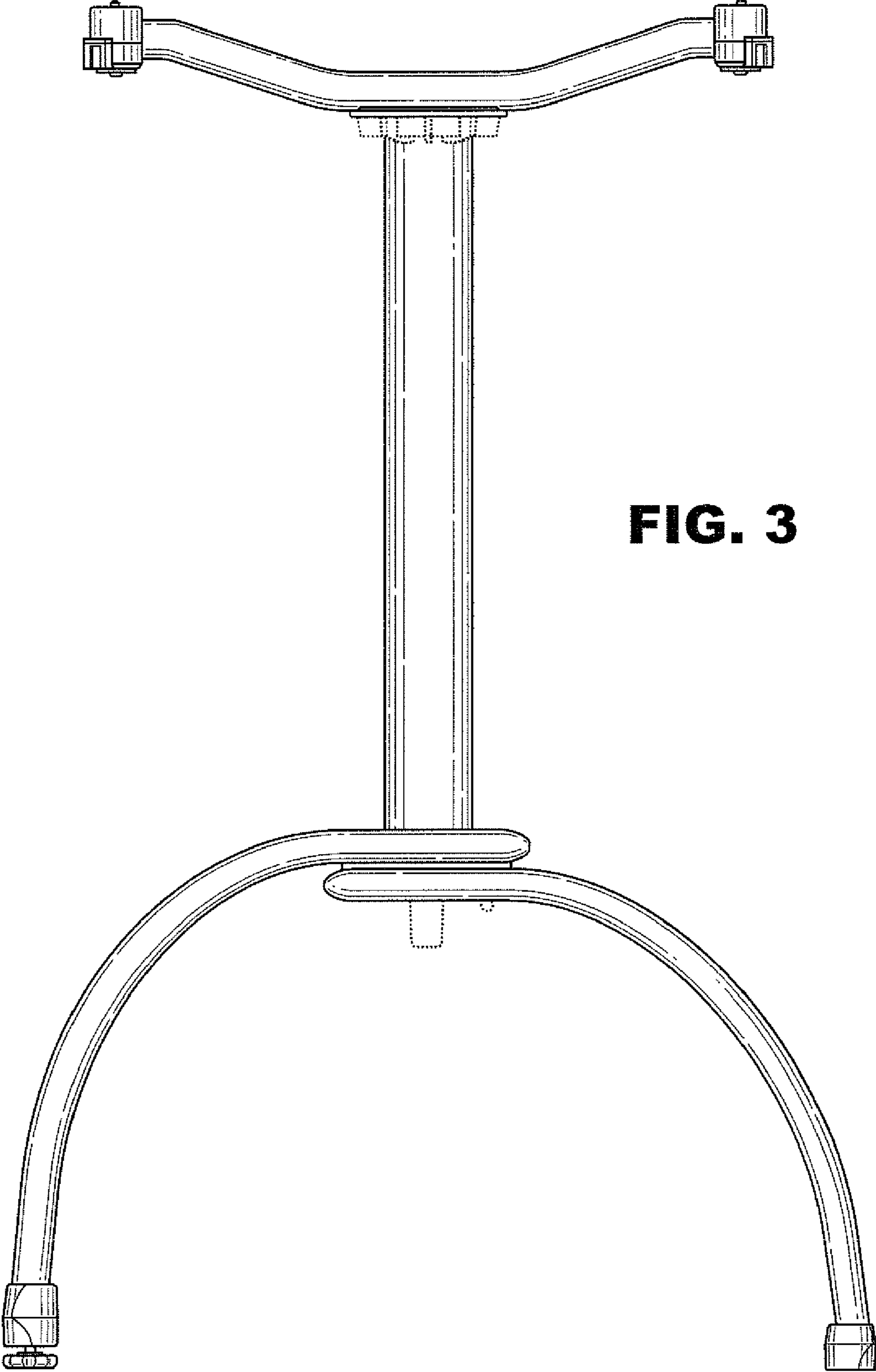


FIG. 3

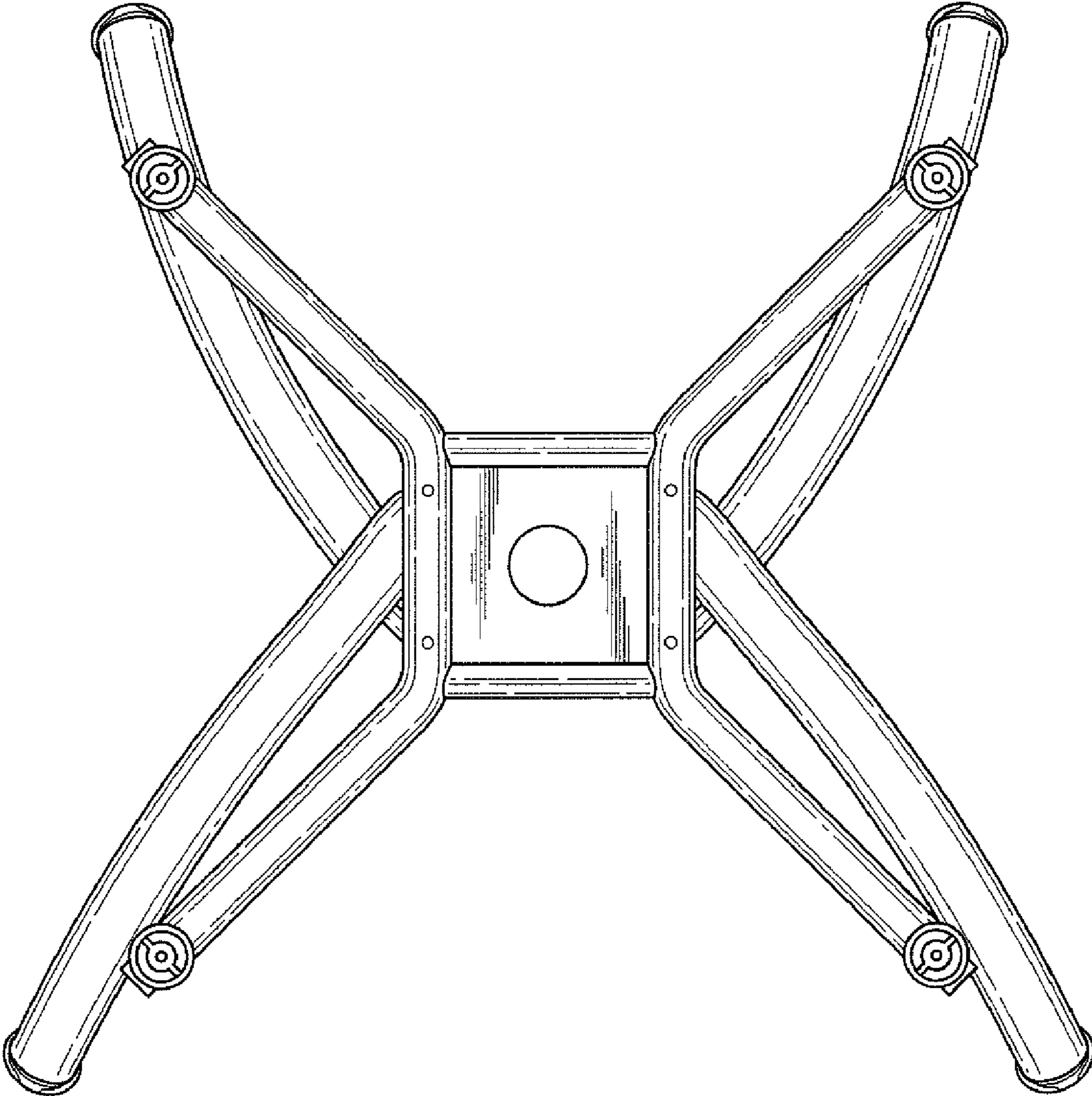


FIG. 4

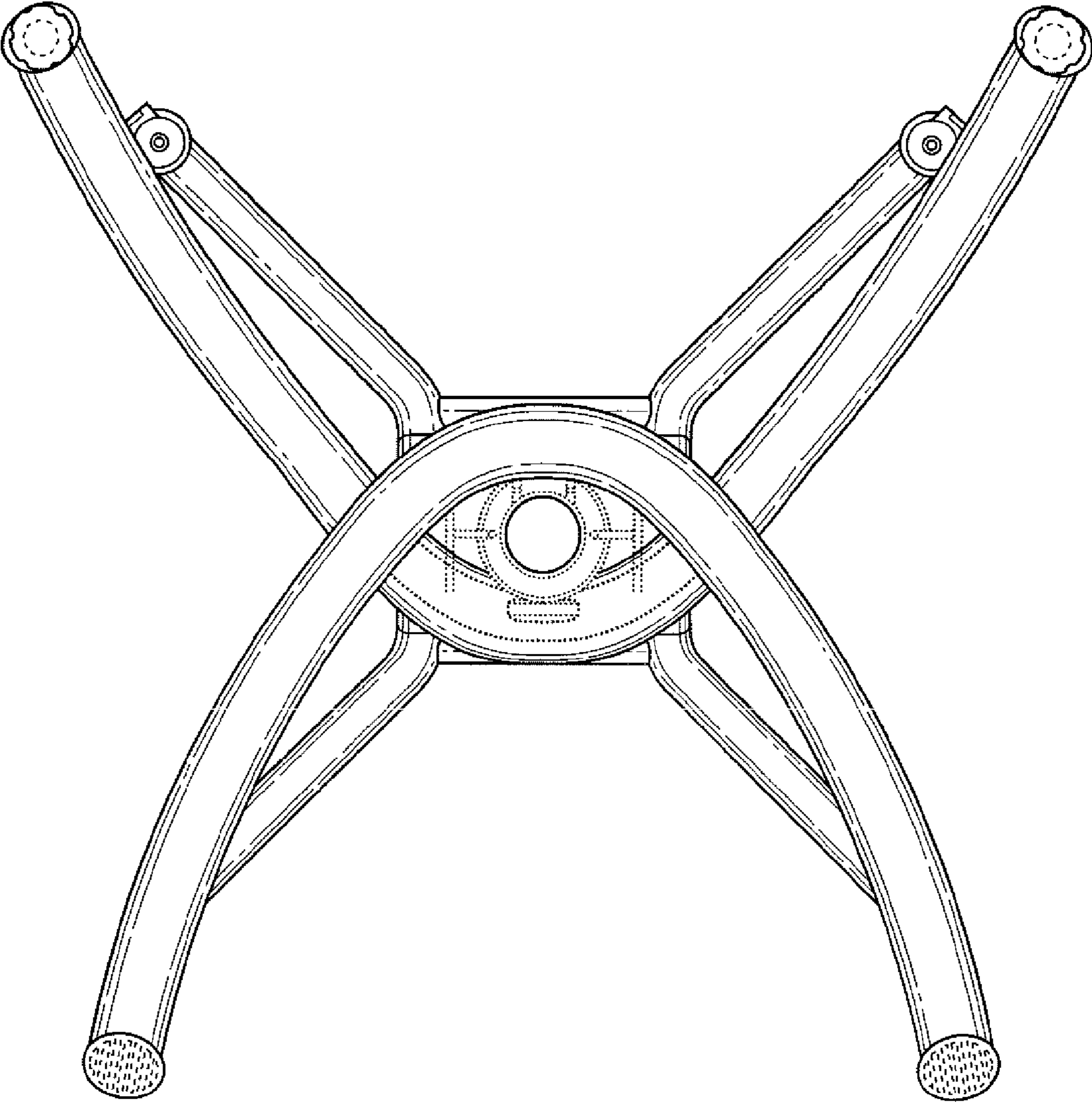


FIG. 5