



US00D628411S

(12) **United States Design Patent**  
**Lucht**

(10) **Patent No.:** **US D628,411 S**

(45) **Date of Patent:** **\*\* Dec. 7, 2010**

(54) **BASE FOR A POLE DISPLAY**

(76) **Inventor:** **Wayne Lucht**, 6554 S. Austin Ave.,  
Bedford Park, IL (US) 60638

(\*\*) **Term:** **14 Years**

(21) **Appl. No.:** **29/339,412**

(22) **Filed:** **Jun. 30, 2009**

(51) **LOC (9) Cl.** ..... **06-04**

(52) **U.S. Cl.** ..... **D6/495**

(58) **Field of Classification Search** ..... D6/495,  
D6/498, 415, 411, 449, 455, 491, 499, 500-502;  
248/188.7, 159, 188.6, 528, 519, 579, 97,  
248/188, 188.1, 188.8, 188.9, 441.1, 446-448,  
248/460, 676-678, 155.8, 165; D11/130.1;  
211/133.1, 133.2; D17/12, 99

See application file for complete search history.

(56) **References Cited**

**U.S. PATENT DOCUMENTS**

2,670,163	A	2/1954	Armitage	
2,699,308	A	1/1955	Shackelford	
2,908,461	A	10/1959	Coffeen	
3,075,734	A	1/1963	Hennel	
3,288,412	A	11/1966	Murphy	
3,387,808	A	6/1968	Metcalf	
3,787,018	A	1/1974	Nathan	
4,032,098	A	6/1977	Marschak	
4,288,052	A	9/1981	Scott	
4,763,866	A *	8/1988	Sinchok	248/188.7
4,921,190	A *	5/1990	Russo et al.	248/159
5,022,620	A *	6/1991	Scott	248/188.6
D330,133	S	10/1992	Lucht	
D342,694	S *	12/1993	Frost	D11/130.1
5,290,004	A *	3/1994	Frost et al.	248/528
D353,788	S *	12/1994	Frost et al.	D11/130.1

RE36,640	E *	4/2000	Frost et al.	248/528
6,234,443	B1 *	5/2001	Tsai et al.	248/519
6,293,512	B1 *	9/2001	Ho	248/579
D508,805	S *	8/2005	Cvek	D6/498
7,364,130	B2 *	4/2008	Lai	248/519
2010/0006711	A1 *	1/2010	Roth	248/97

**OTHER PUBLICATIONS**

United Displaycraft Brochure entitled "Stock Display Components,"  
2 pages, undated.

\* cited by examiner

*Primary Examiner*—Philip S Hyder

*Assistant Examiner*—Sydney R Buffalow

(74) *Attorney, Agent, or Firm*—Leydig, Voit & Mayer, Ltd.

(57) **CLAIM**

The ornamental design for a base for a pole display, as shown  
and described.

**DESCRIPTION**

FIG. 1 is a perspective view of a base for a pole display  
showing my new design, the broken lines for illustrative  
purposes only forming no part of the claimed design;

FIG. 2 is a reduced side view thereof;

FIG. 3 is a reduced bottom plan view thereof;

FIG. 4 is a reduced top plan view thereof;

FIG. 5 is a perspective view of one base leg thereof;

FIG. 6 is a reduced top plan view of the base leg in FIG. 5;

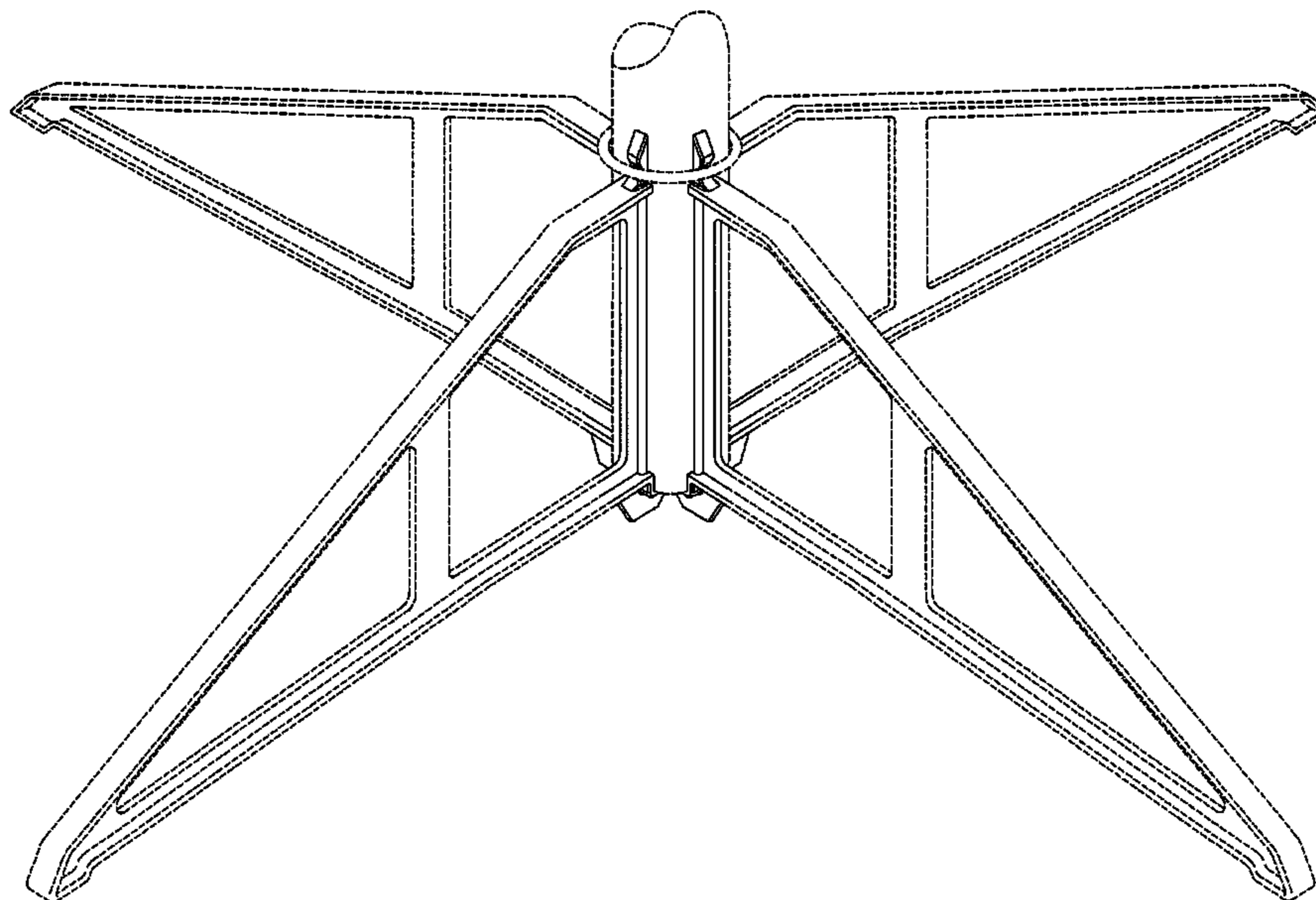
FIG. 7 is a reduced rear side view thereof;

FIG. 8 is a reduced side elevational view thereof;

FIG. 9 is a reduced front elevational view thereof; and,

FIG. 10 is a reduced bottom plan view thereof.

**1 Claim, 6 Drawing Sheets**



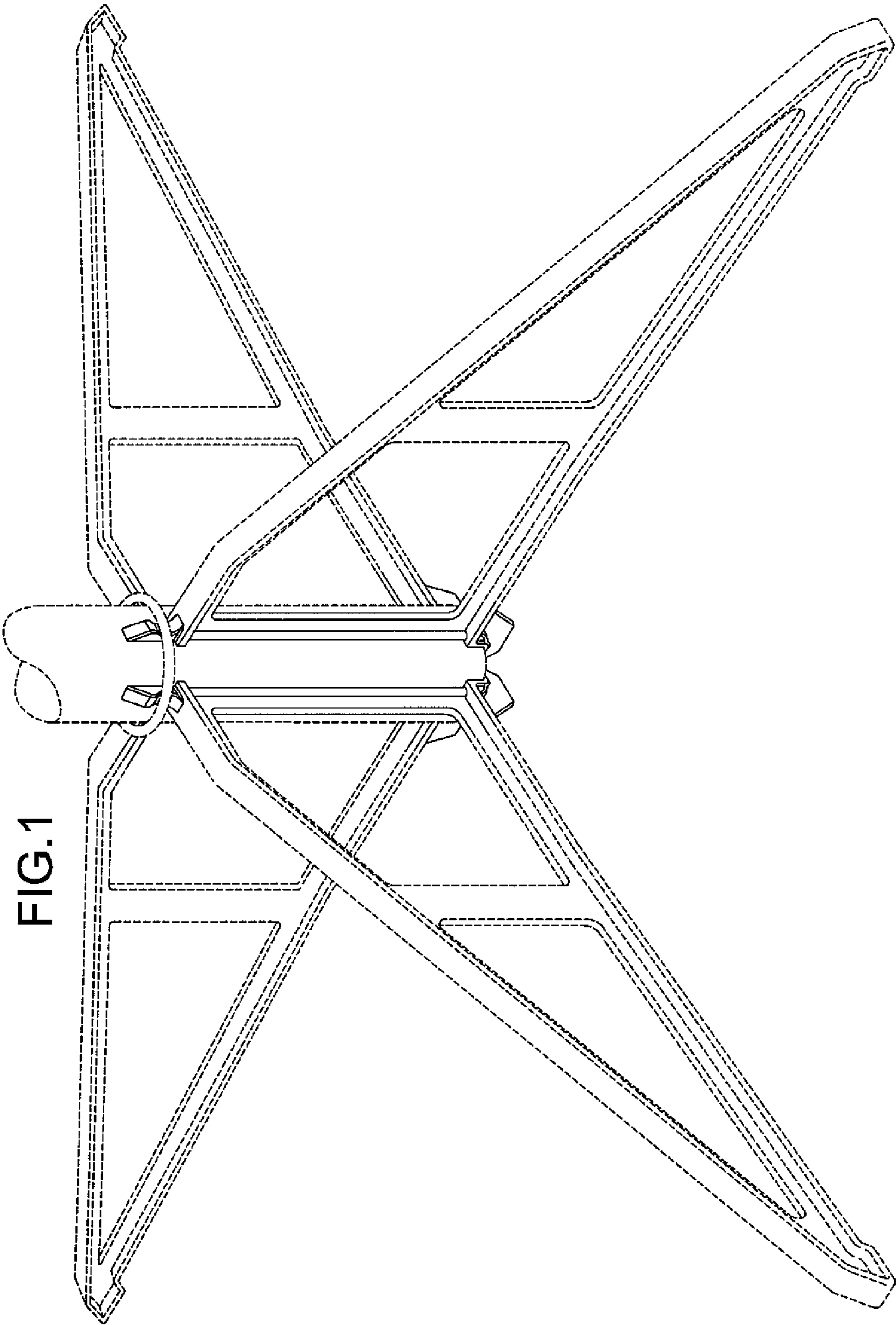
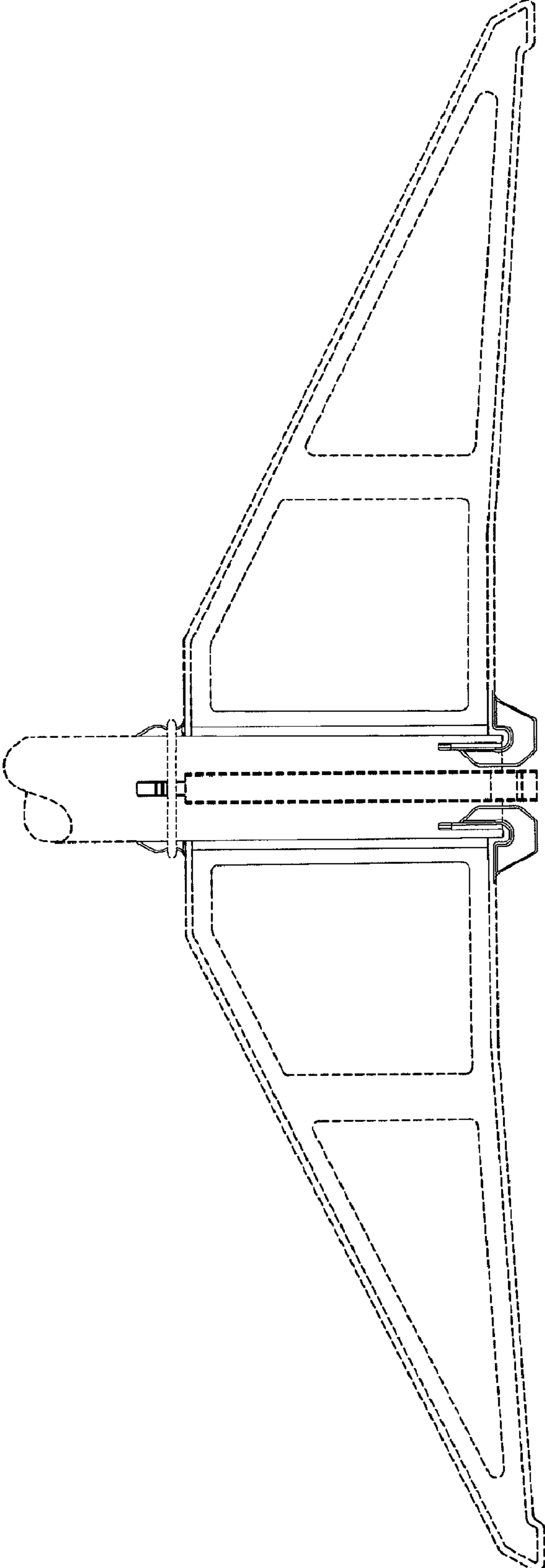


FIG. 1

FIG.2



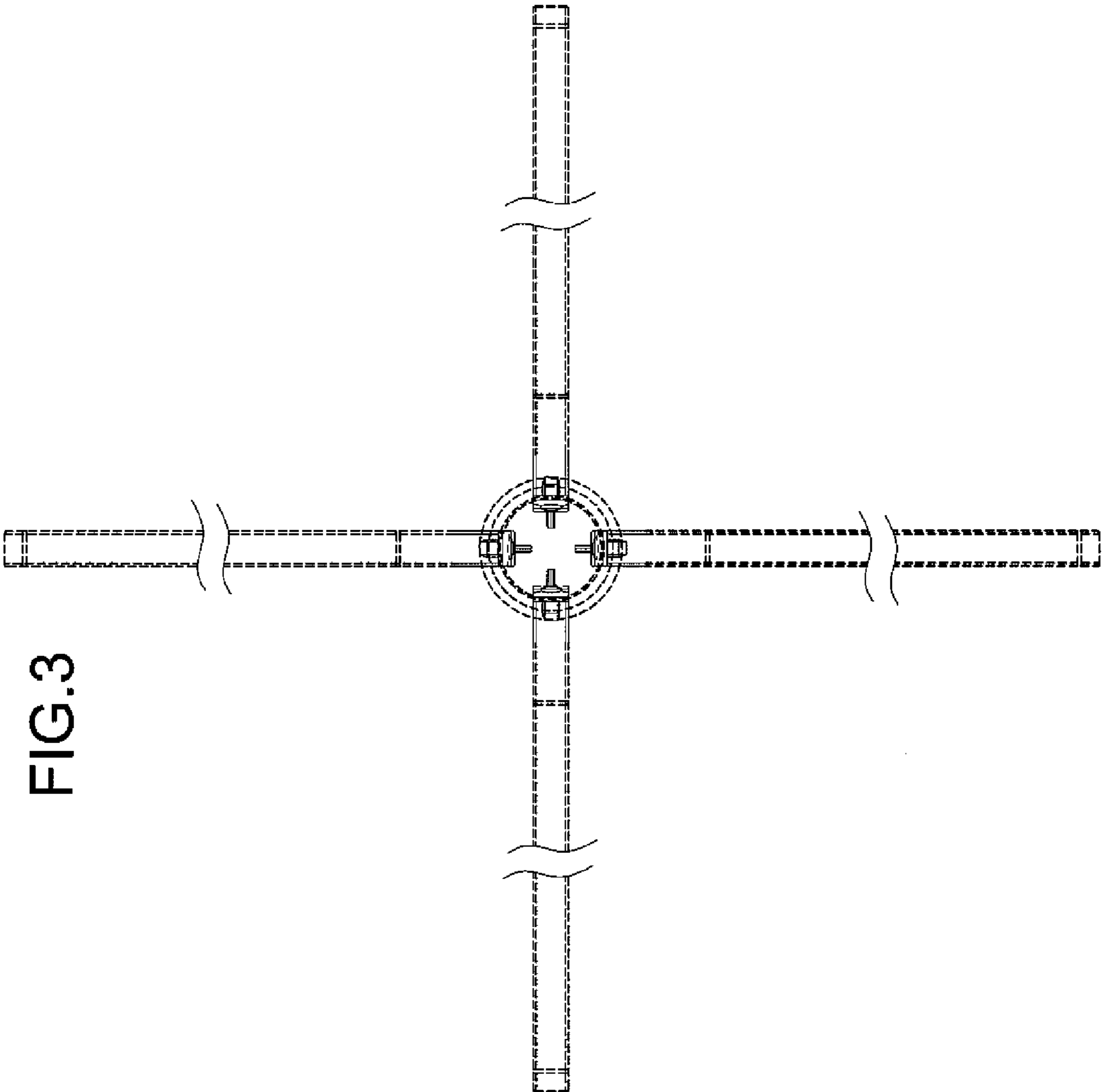


FIG.3

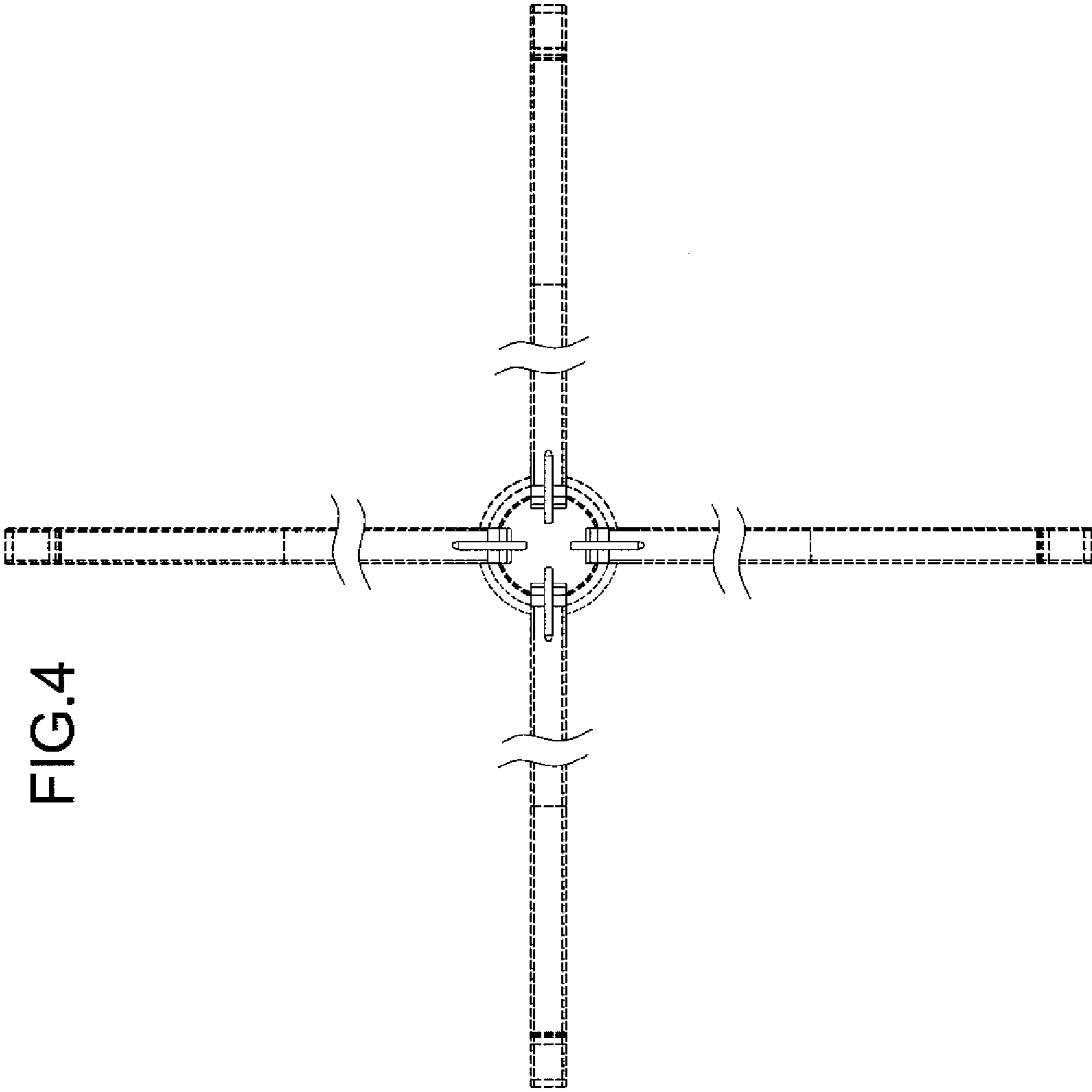


FIG.4

FIG. 5

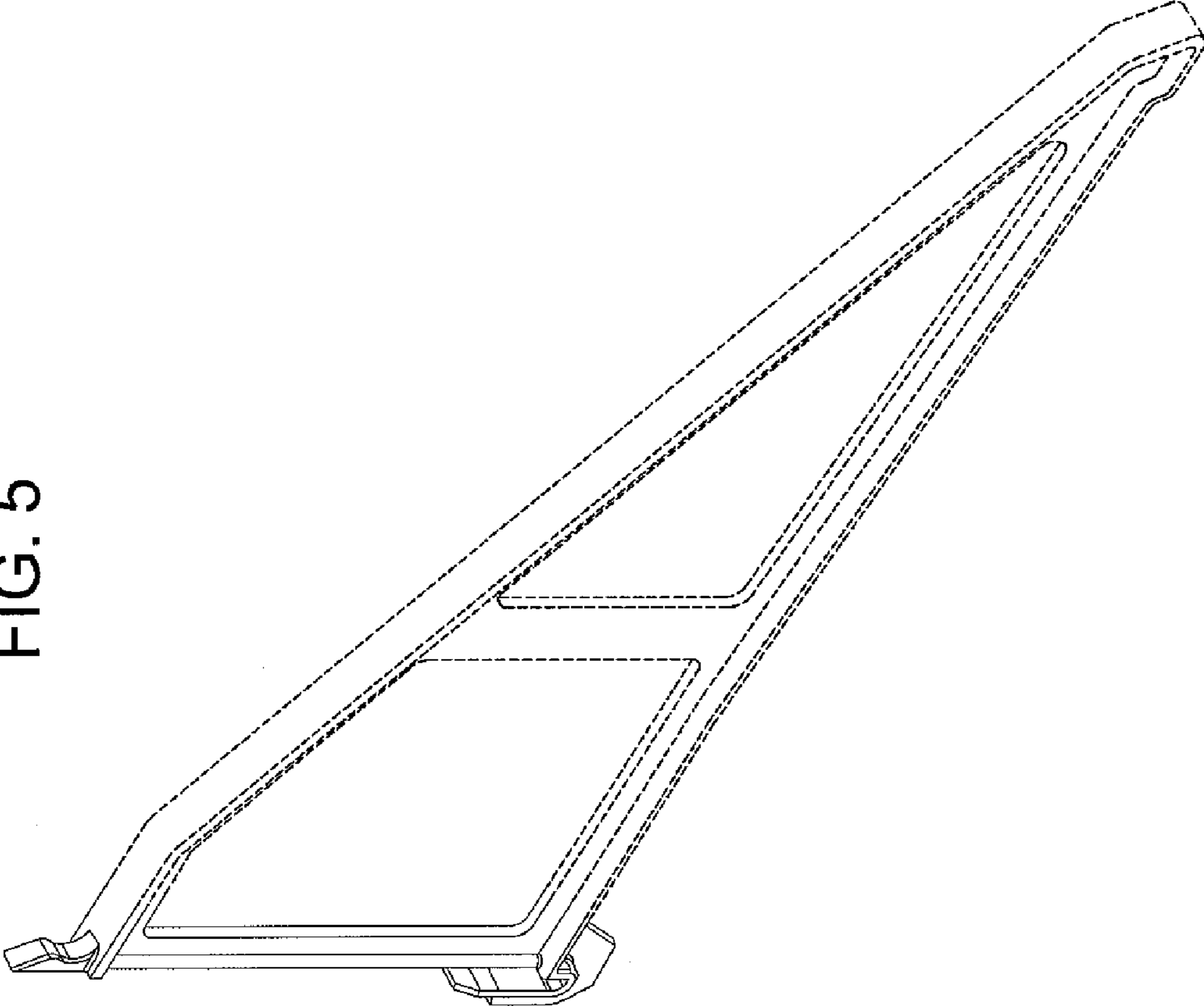


FIG. 6



FIG. 7

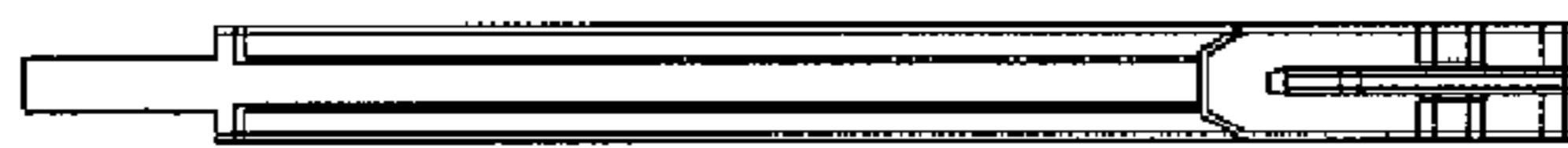


FIG. 8

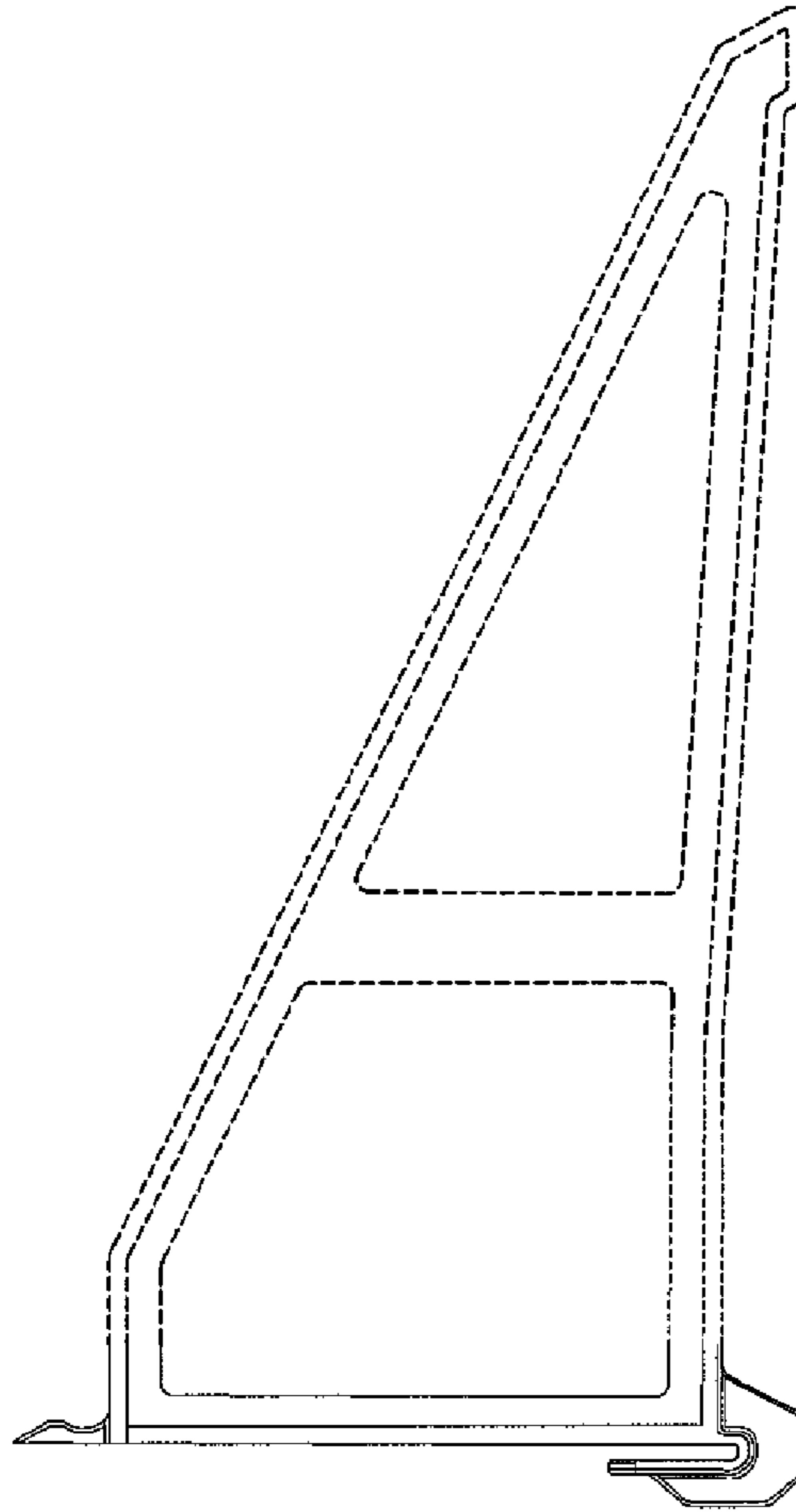


FIG. 9



FIG. 10

