

US00D628410S

(12) **United States Design Patent**
Parisi et al.

(10) **Patent No.:** **US D628,410 S**

(45) **Date of Patent:** **** Dec. 7, 2010**

(54) **SHELF**

(75) Inventors: **Steven Parisi**, Haverstraw, NY (US);
Gary Parisi, Congers, NY (US); **Paul Parisi**, San Diego, CA (US)

(73) Assignee: **Toilettree Products, Inc.**, Upper Nyack, NY (US)

(**) Term: **14 Years**

(21) Appl. No.: **29/353,432**

(22) Filed: **Jan. 8, 2010**

(51) **LOC (9) Cl.** **06-04**

(52) **U.S. Cl.** **D6/491; D6/509**

(58) **Field of Classification Search** D6/540,
D6/526, 511, 524, 525, 534, 539, 574, 495;
206/823; 211/13.1, 65, 66, 71.01, 86.01,
211/87.01, 126.1, 134

See application file for complete search history.

(56) **References Cited**

U.S. PATENT DOCUMENTS

- D152,618 S * 2/1949 Kibler D6/540
- D186,064 S * 9/1959 Wise D6/526
- 3,708,218 A 1/1973 Smillie, III
- 4,076,374 A 2/1978 Schwab
- 4,150,869 A 4/1979 Hansen
- D258,474 S * 3/1981 Edstrom D6/526
- D258,475 S * 3/1981 Edstrom D6/526
- 4,327,961 A 5/1982 Kladitis
- D280,574 S 9/1985 Kladitis
- D280,872 S * 10/1985 Johnson D6/511
- 4,556,298 A 12/1985 Gottlieb
- 4,558,929 A 12/1985 Stephens et al.
- D282,993 S * 3/1986 Sanford D6/526
- 4,655,559 A 4/1987 Odell
- 4,832,475 A 5/1989 Daniels
- 4,836,668 A 6/1989 Christianson
- 4,904,072 A 2/1990 Christianson

- 5,313,316 A 5/1994 Davidge
- 5,416,635 A 5/1995 Christianson et al.
- D362,772 S * 10/1995 Peart et al. D6/511
- D369,049 S * 4/1996 Scaglione D6/526
- 5,604,633 A 2/1997 Christianson
- 5,847,873 A 12/1998 Kim
- 5,953,157 A 9/1999 Christianson
- D462,216 S * 9/2002 Jablonski D6/524
- D541,563 S * 5/2007 LaBonia et al. D6/511
- 7,249,858 B2 7/2007 Blackwood
- D558,985 S 1/2008 Defenbaugh et al.

OTHER PUBLICATIONS

<http://www.shavenow.com/categories/Fog-Free-Shower-Mirror?gclid=CNtB1Myy1Z4CFdA65QodFRg-rw> as downloaded from the internet on Jan. 8, 2010.

* cited by examiner

Primary Examiner—Philip S Hyder
Assistant Examiner—Sydney R Buffalow
(74) *Attorney, Agent, or Firm*—Myers Wolin, LLC

(57) **CLAIM**

The ornamental design for a mirror, as shown and described.

DESCRIPTION

FIG. 1 is a front isometric view of a mirror showing our new design;

FIG. 2 is a left side elevational view thereof;

FIG. 3 is a front elevational view thereof;

FIG. 4 is a right side elevation thereof;

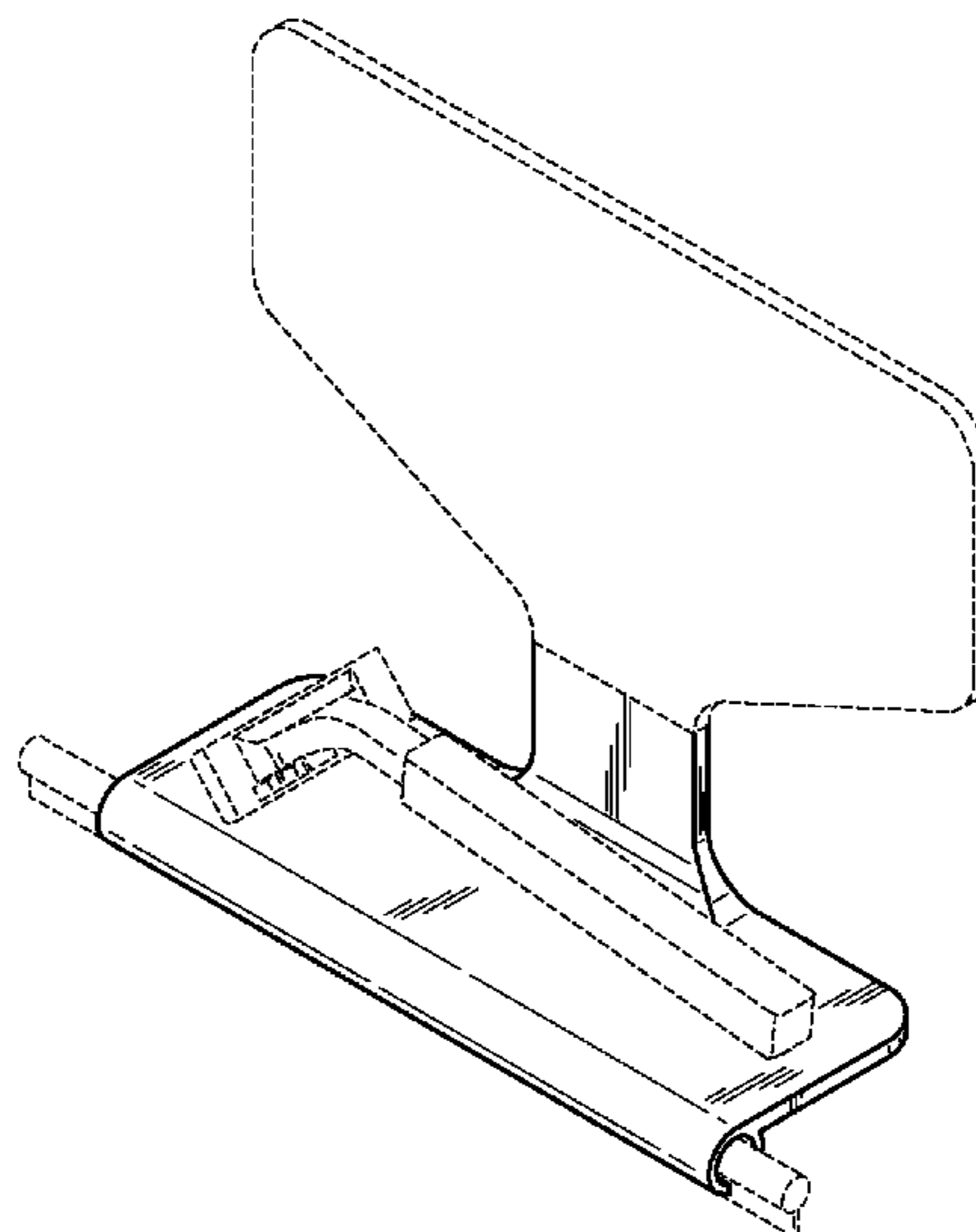
FIG. 5 is a top plan view thereof;

FIG. 6 is a bottom plan view thereof; and,

FIG. 7 is a rear elevational view thereof.

The broken lines are for illustrative purposes only and form no part of the claimed design.

1 Claim, 2 Drawing Sheets



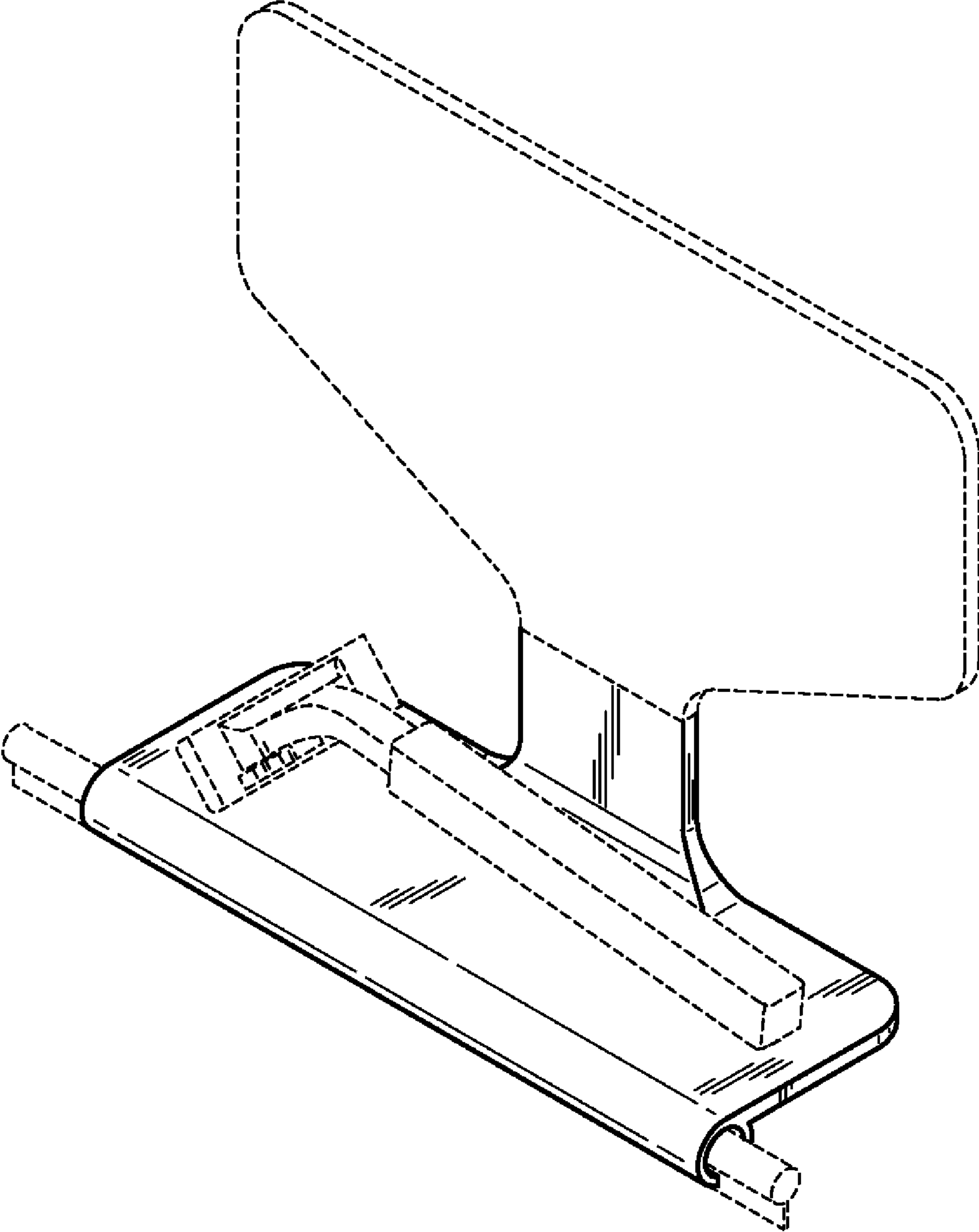


FIG. 1

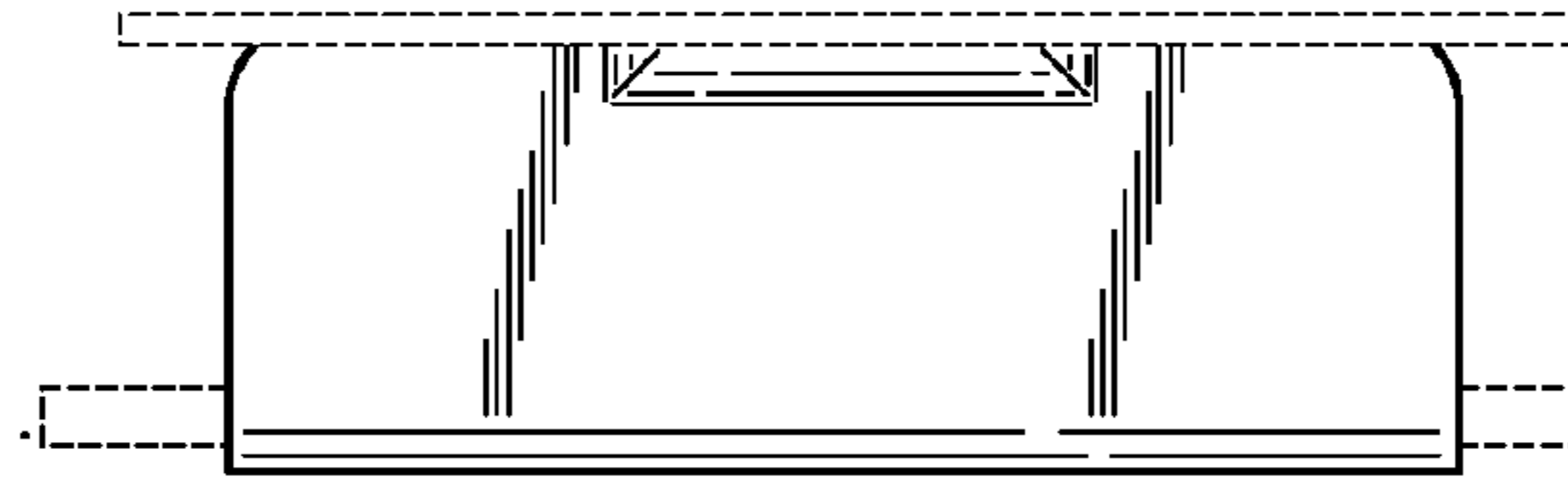


FIG. 5

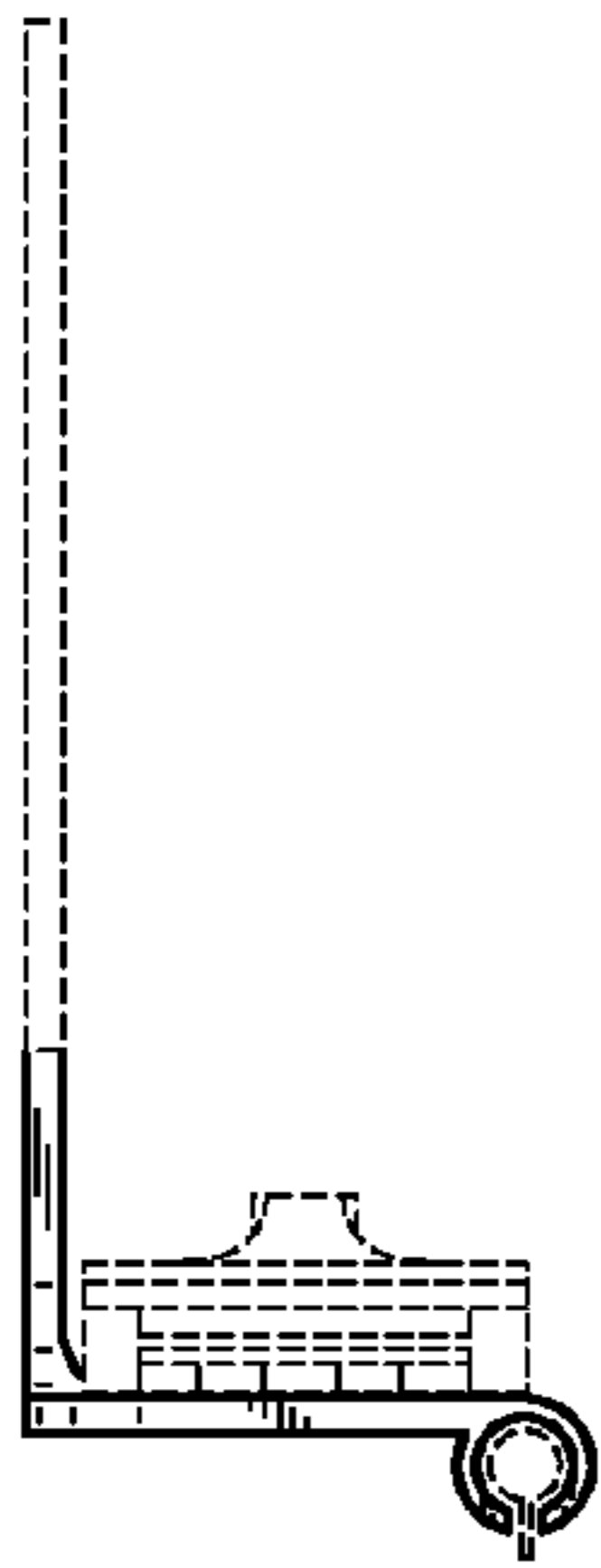


FIG. 2

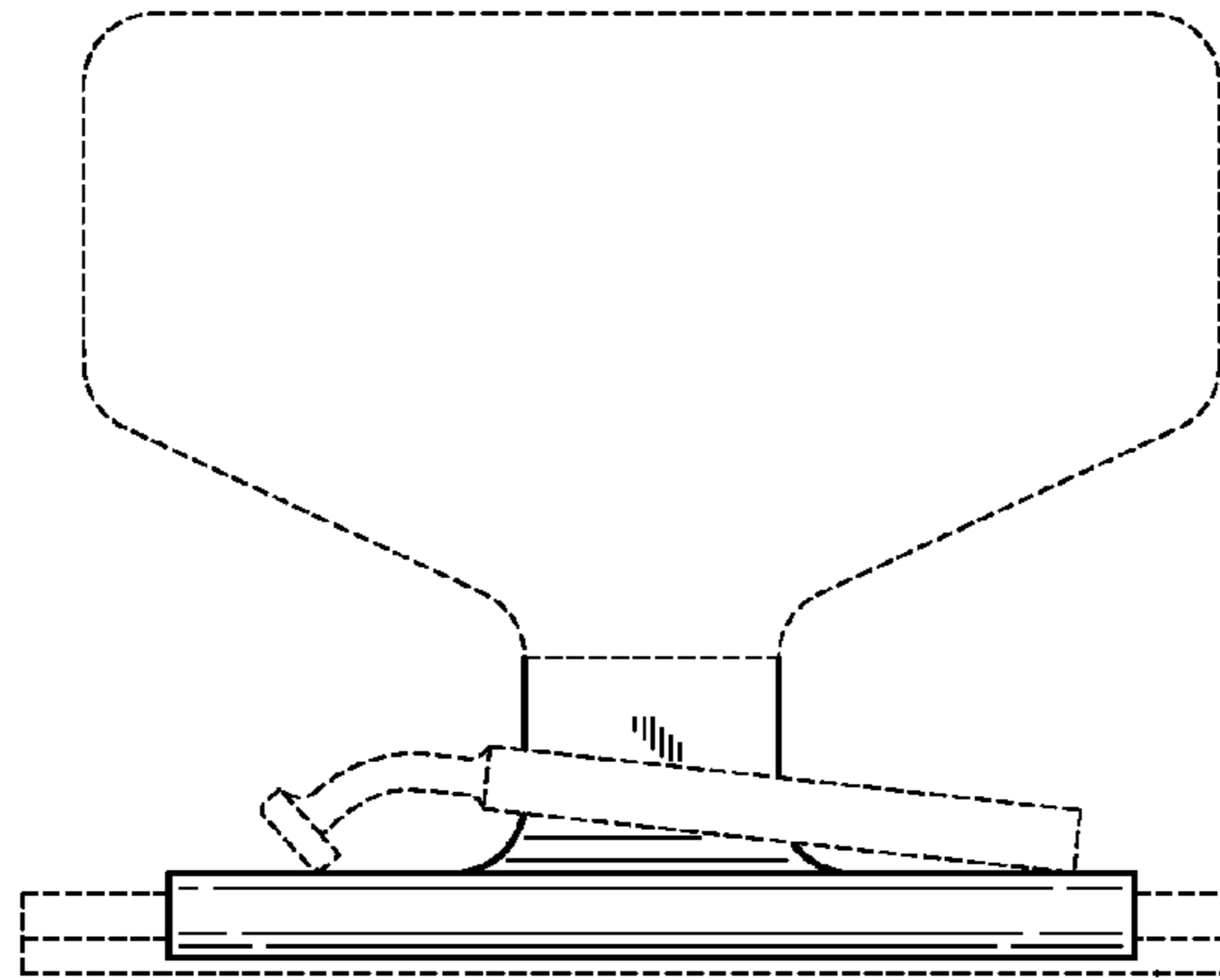


FIG. 3

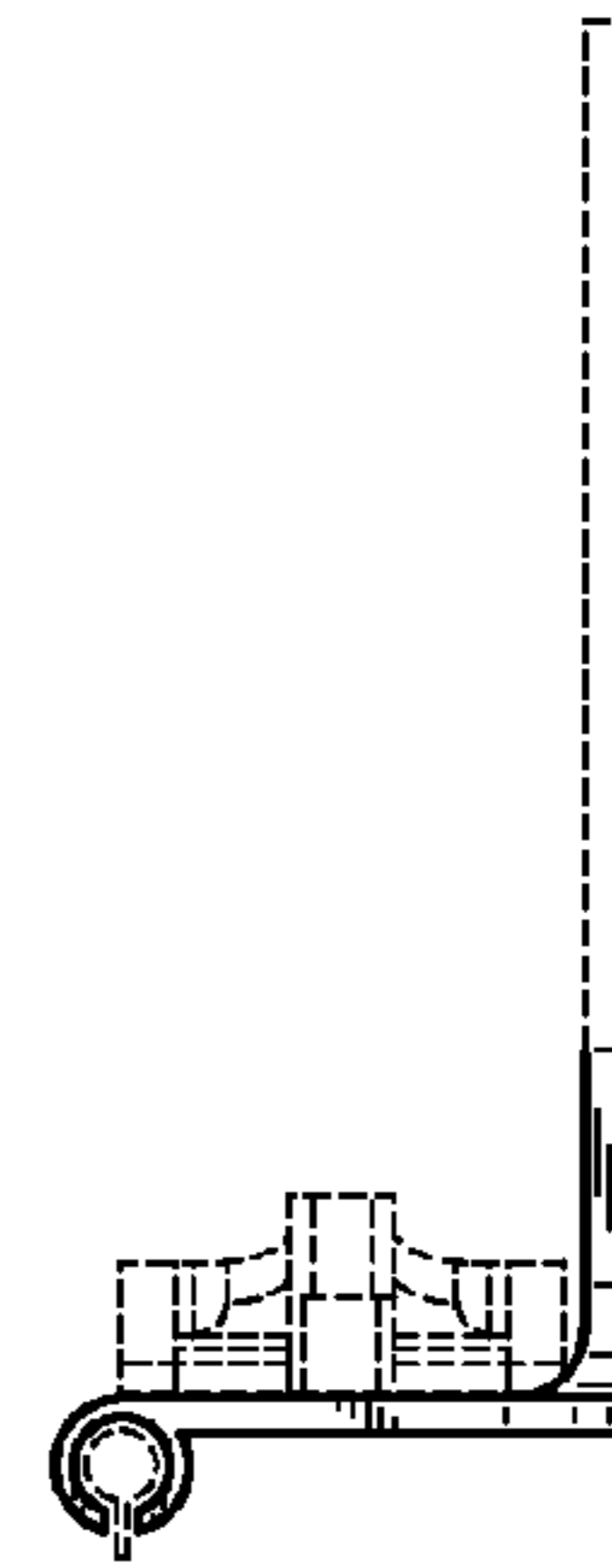


FIG. 4

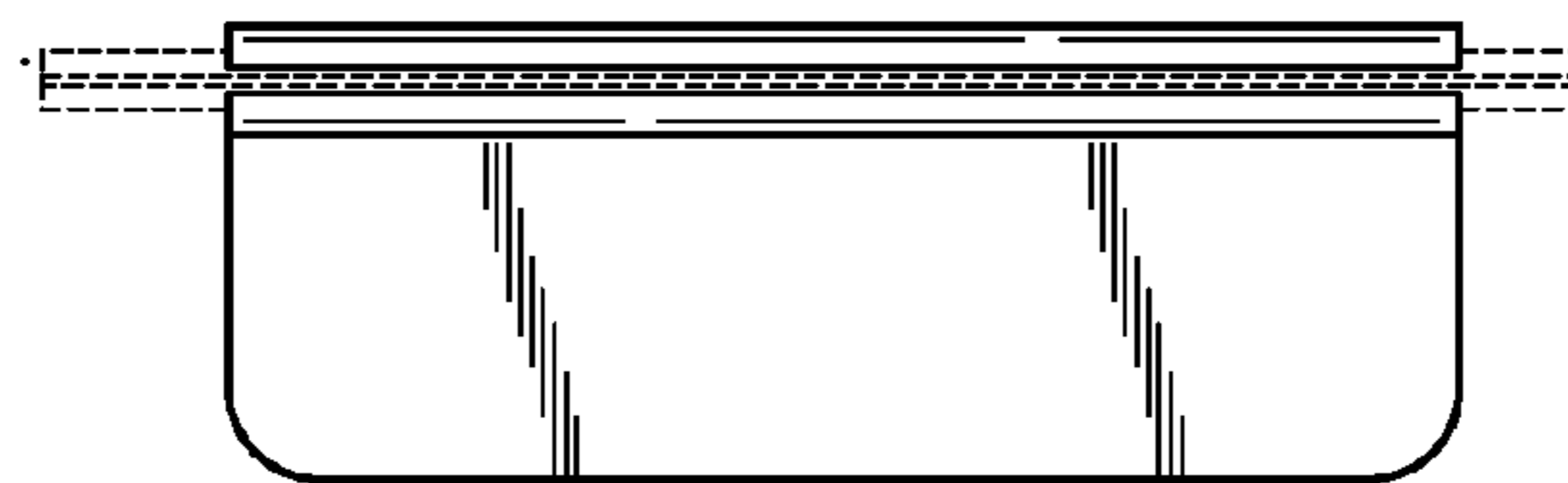


FIG. 6

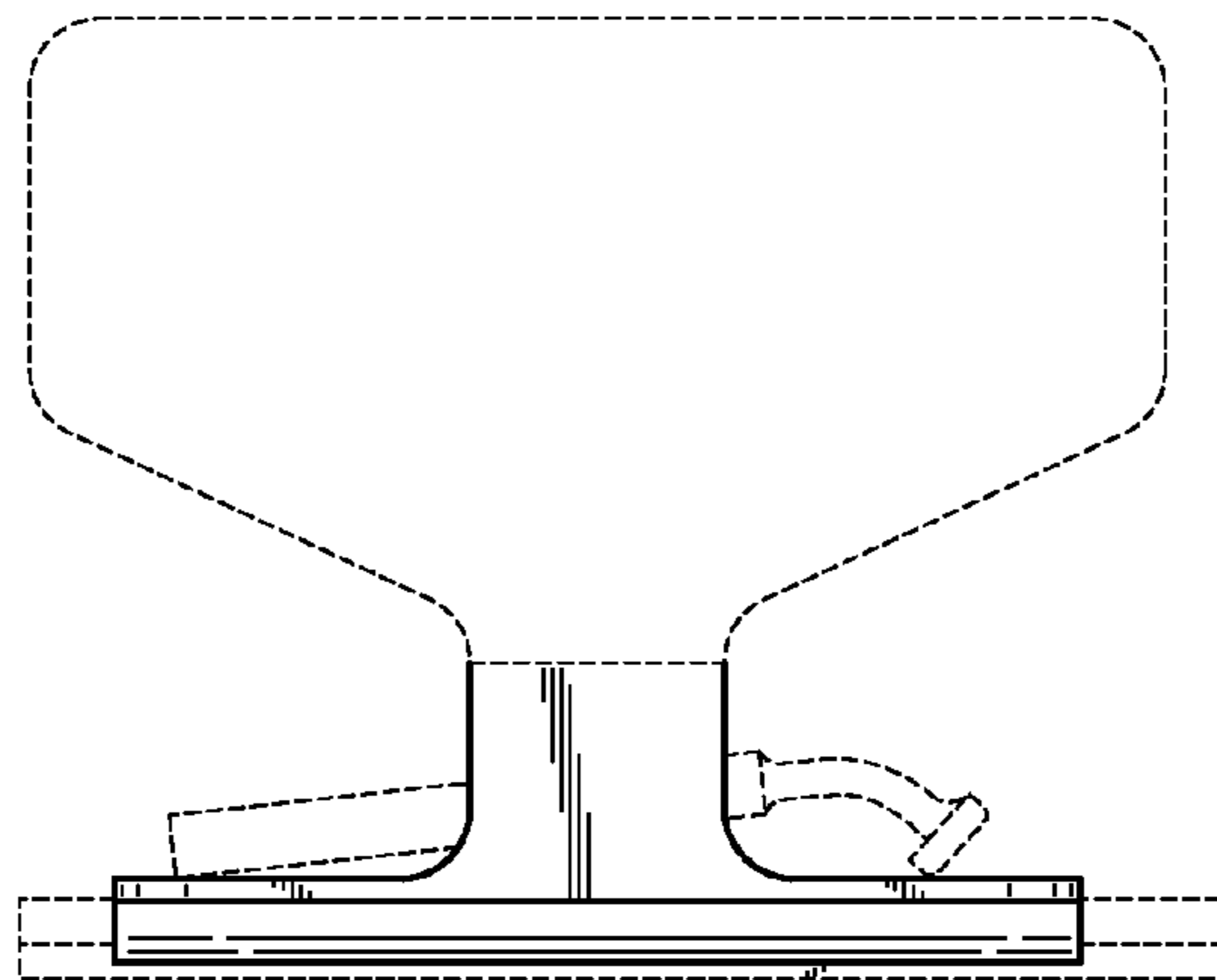


FIG. 7