



US00D628406S

(12) **United States Design Patent**  
**Wahl et al.**

(10) **Patent No.:** **US D628,406 S**  
(45) **Date of Patent:** **\*\* Dec. 7, 2010**

- (54) **FURNITURE END DESIGN**
- (75) Inventors: **Paul J. Wahl**, Ferdinand, IN (US);  
**Sherry A. Foster**, Jasper, IN (US);  
**Cynthia A. Wehr**, Jasper, IN (US);  
**Deaderia W. Morris**, Frederick, MD  
(US)
- (73) Assignee: **Kimball International, Inc.**, Jasper, IN  
(US)
- (\*\*) Term: **14 Years**
- (21) Appl. No.: **29/356,335**
- (22) Filed: **Feb. 24, 2010**
- (51) **LOC (9) Cl.** ..... **06-04**
- (52) **U.S. Cl.** ..... **D6/436**
- (58) **Field of Classification Search** ..... D6/436-439,  
D6/445-446, 470; 312/114, 194, 198, 204,  
312/224, 278-279

- D499,274 S \* 12/2004 Juneau et al. .... D6/436
- D504,251 S 4/2005 Kreiss
- D529,309 S 10/2006 Juneau et al.
- D534,009 S \* 12/2006 Juneau ..... D6/436
- D540,570 S 4/2007 Bibi
- D546,589 S 7/2007 Kreiss
- D568,631 S \* 5/2008 Martin et al. .... D6/436
- D569,127 S 5/2008 Kanthasamy
- D571,126 S \* 6/2008 Roberts ..... D6/477
- D575,964 S 9/2008 Liu
- D587,033 S \* 2/2009 Martin et al. .... D6/436

See application file for complete search history.

(56) **References Cited**

**U.S. PATENT DOCUMENTS**

- D96,148 S 7/1935 Walker
- D144,872 S 5/1946 Rhodes
- D175,195 S 7/1955 Streng
- D214,741 S 7/1969 Dean
- D233,873 S 12/1974 Mills
- D241,395 S 9/1976 Perl et al.
- D285,505 S 9/1986 Billiet
- D301,664 S \* 6/1989 Bush et al. .... D6/436
- D318,768 S 8/1991 Westland et al.
- D334,478 S 4/1993 Rogers
- D341,732 S 11/1993 Ferguson
- D343,073 S 1/1994 Black
- D368,604 S \* 4/1996 Gotham et al. .... D6/436
- D371,017 S 6/1996 Walters, III et al.
- D388,634 S \* 1/1998 Mulligan et al. .... D6/436
- D407,245 S 3/1999 Lewis
- D440,071 S 4/2001 Hutton
- D443,155 S \* 6/2001 Hutton ..... D6/436
- D451,700 S 12/2001 Vaaler
- D462,008 S \* 8/2002 Stone et al. .... D9/436
- D485,451 S 1/2004 De Blois
- D488,640 S 4/2004 Domack
- D498,370 S 11/2004 Paus

\* cited by examiner

*Primary Examiner*—Elizabeth A Albert

*Assistant Examiner*—Kelley A Donnelly

(74) *Attorney, Agent, or Firm*—Baker & Daniels LLP

(57) **CLAIM**

The ornamental design for a furniture end design, as shown and described.

**DESCRIPTION**

FIG. 1 is a front perspective view of a furniture end design according to a first embodiment;

FIG. 2 is a front view thereof;

FIG. 3 is a side view thereof; and

FIG. 4 is a top view thereof.

FIG. 5 is a front perspective view of a furniture end design according to a second embodiment;

FIG. 6 is a front view thereof;

FIG. 7 is a side view thereof; and

FIG. 8 is a top view thereof.

FIG. 9 is a front perspective view of a furniture end design according to a third embodiment;

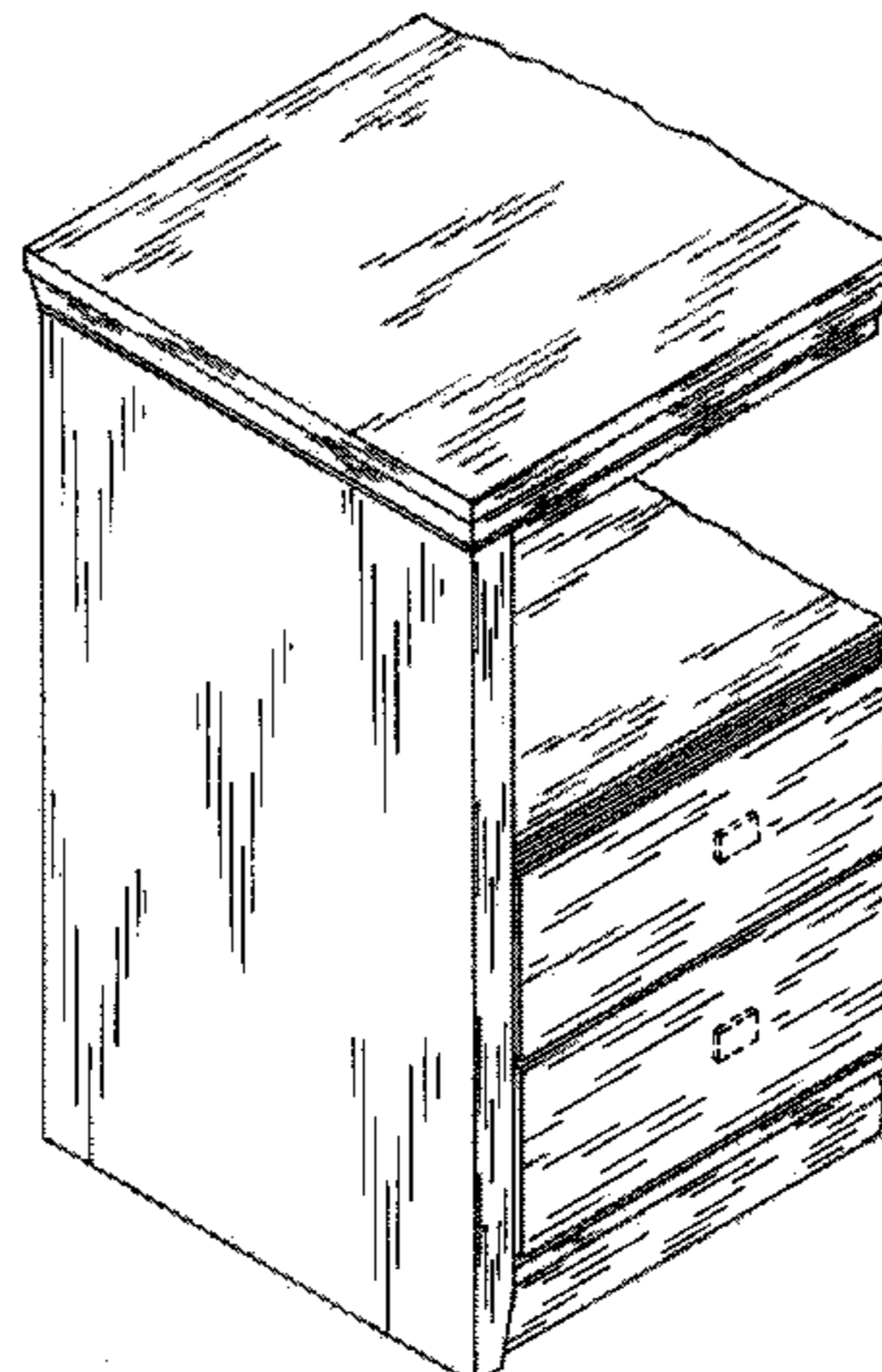
FIG. 10 is a front view thereof;

FIG. 11 is a side view thereof; and,

FIG. 12 is a top view thereof.

The broken lines showing is included for the purpose of illustrating environment of the design and forms no part of the claimed design.

**1 Claim, 5 Drawing Sheets**



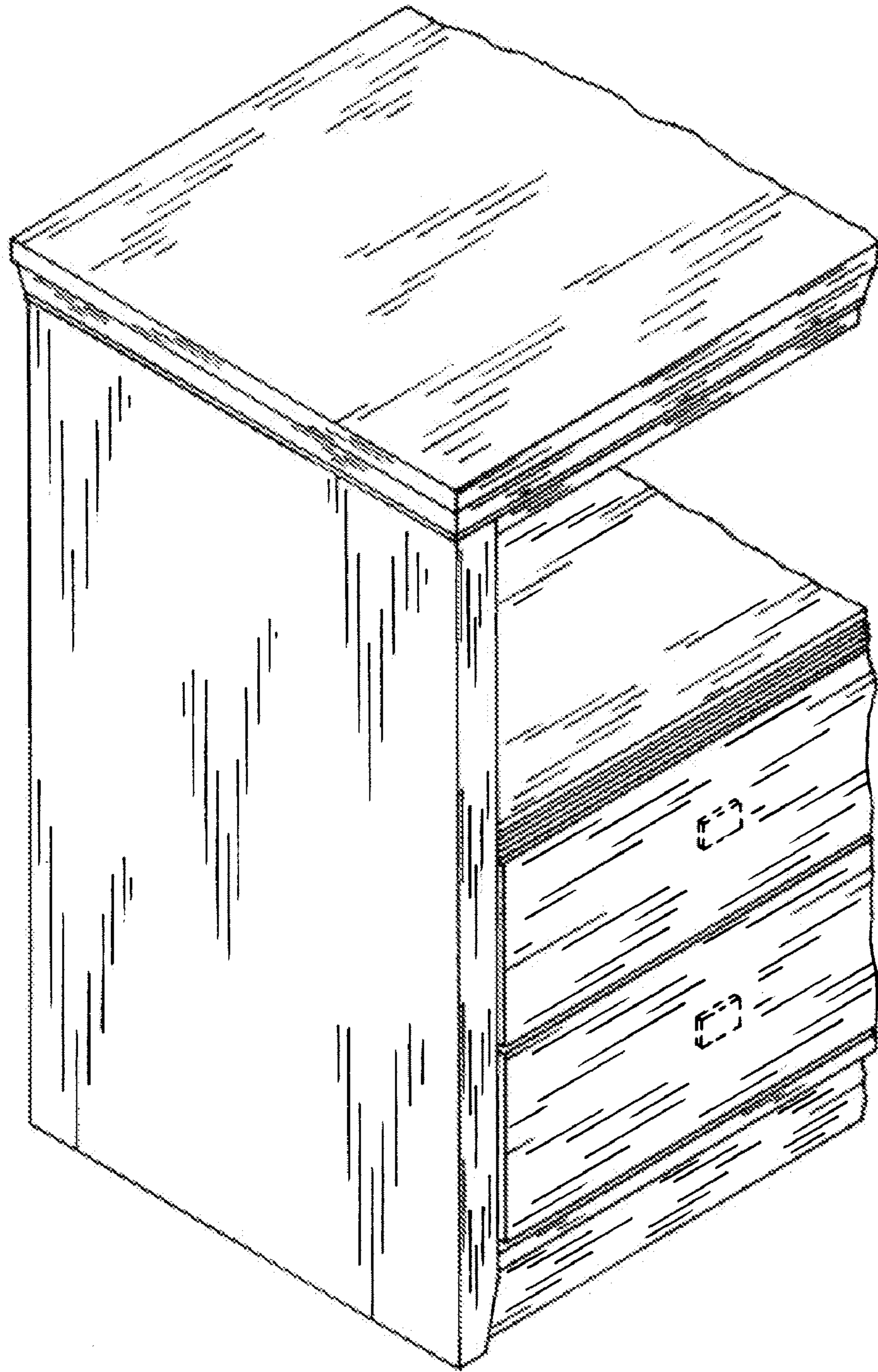


FIG. 1

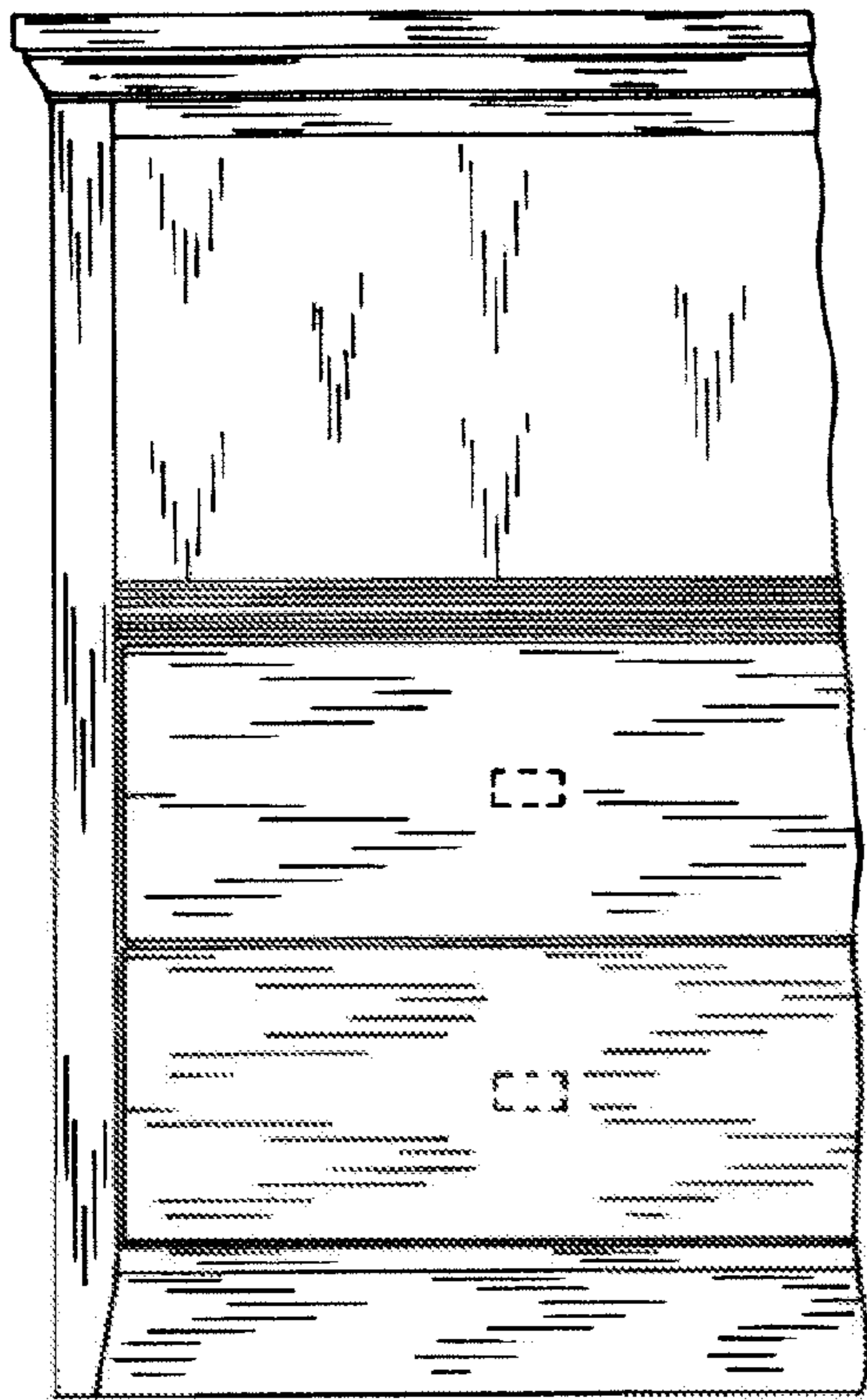


FIG. 2

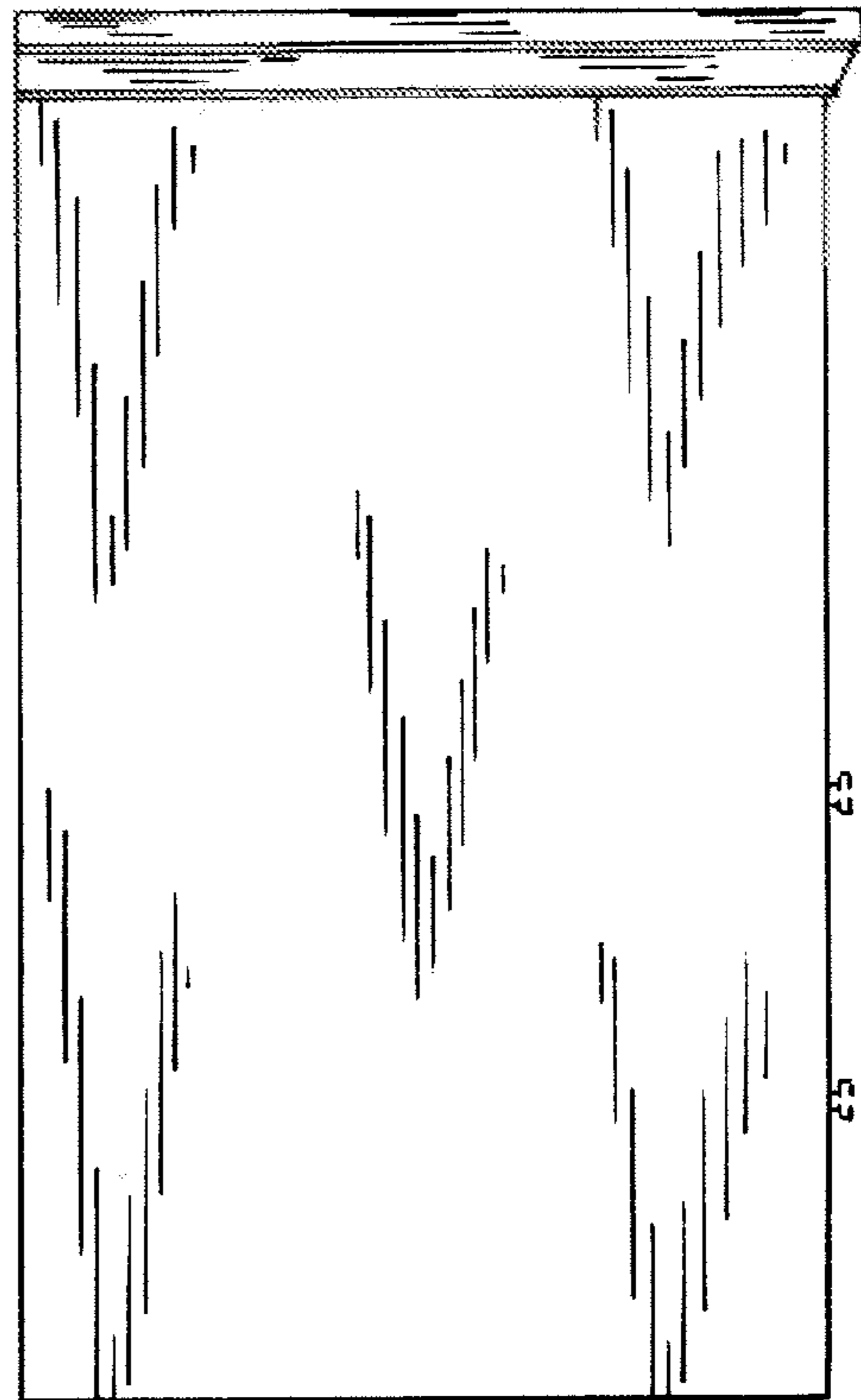


FIG. 3

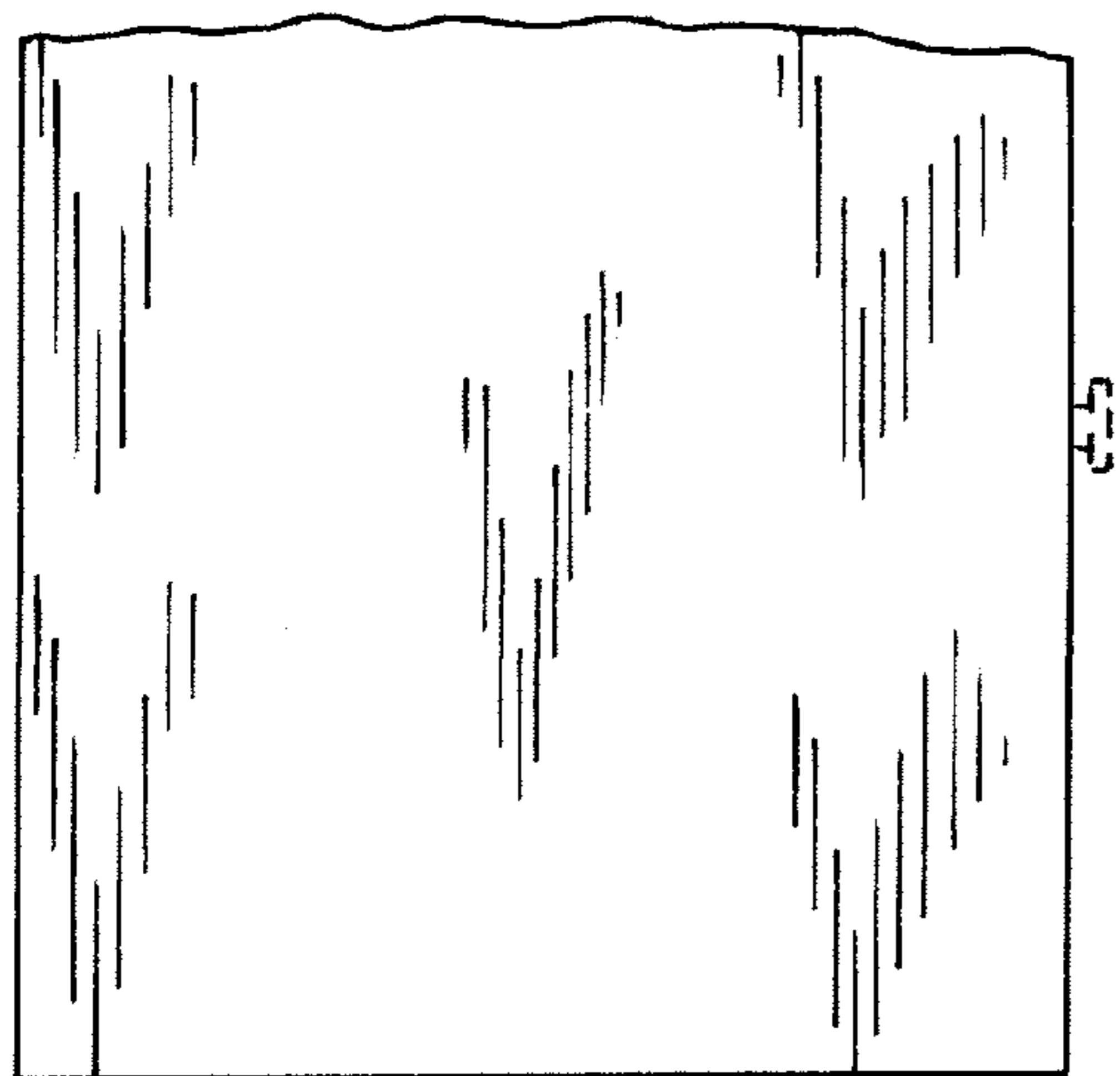


FIG. 4

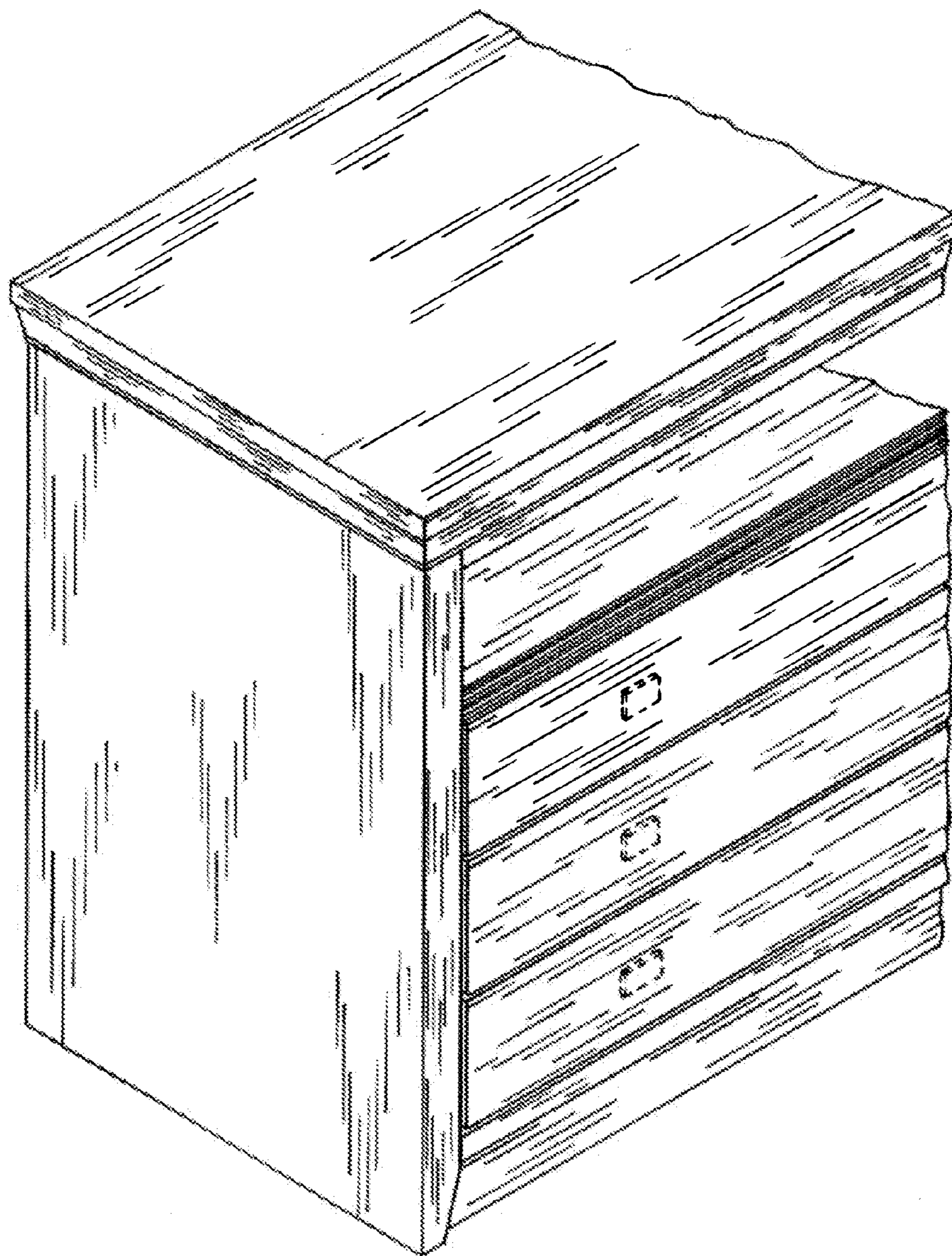


FIG. 5

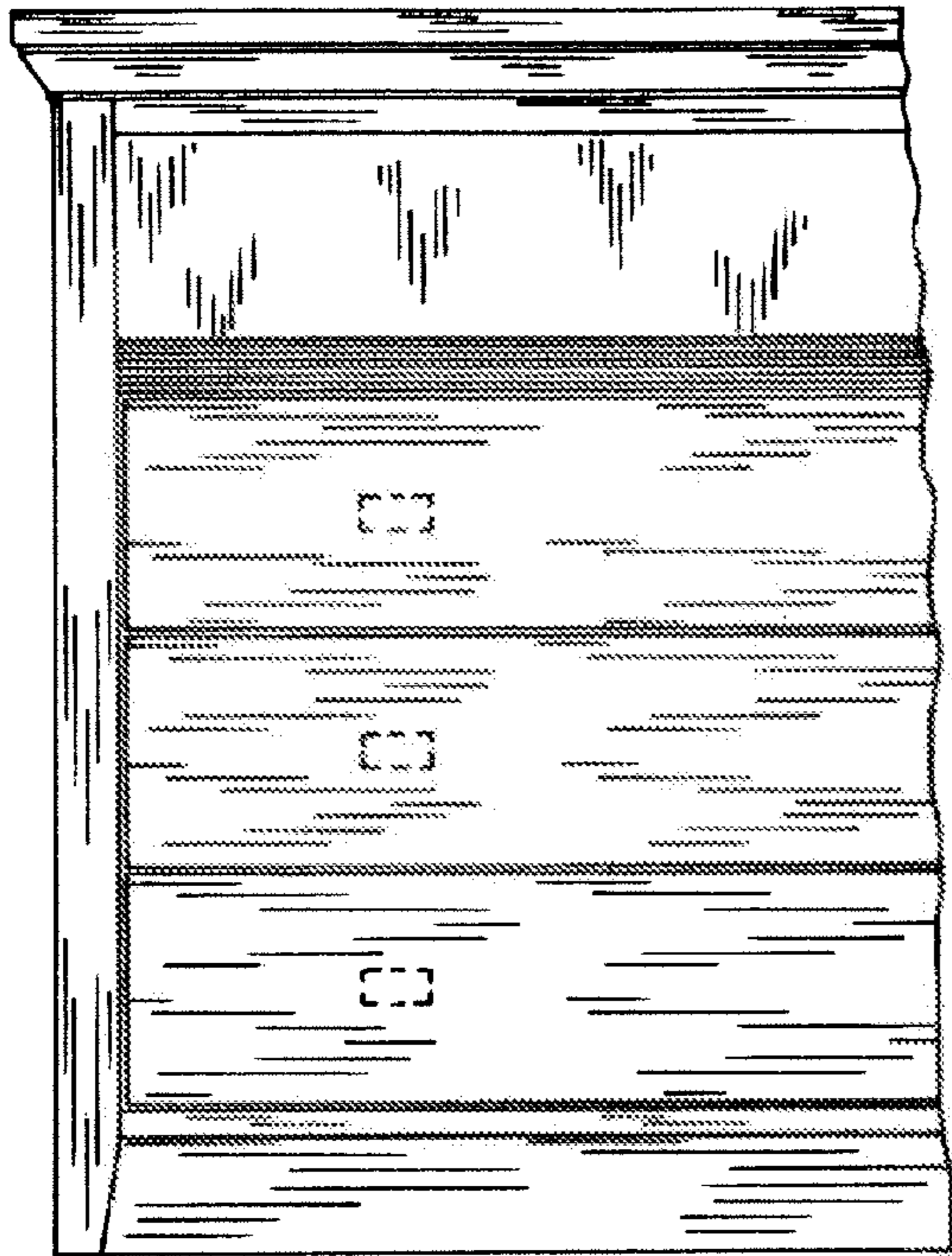


FIG. 6

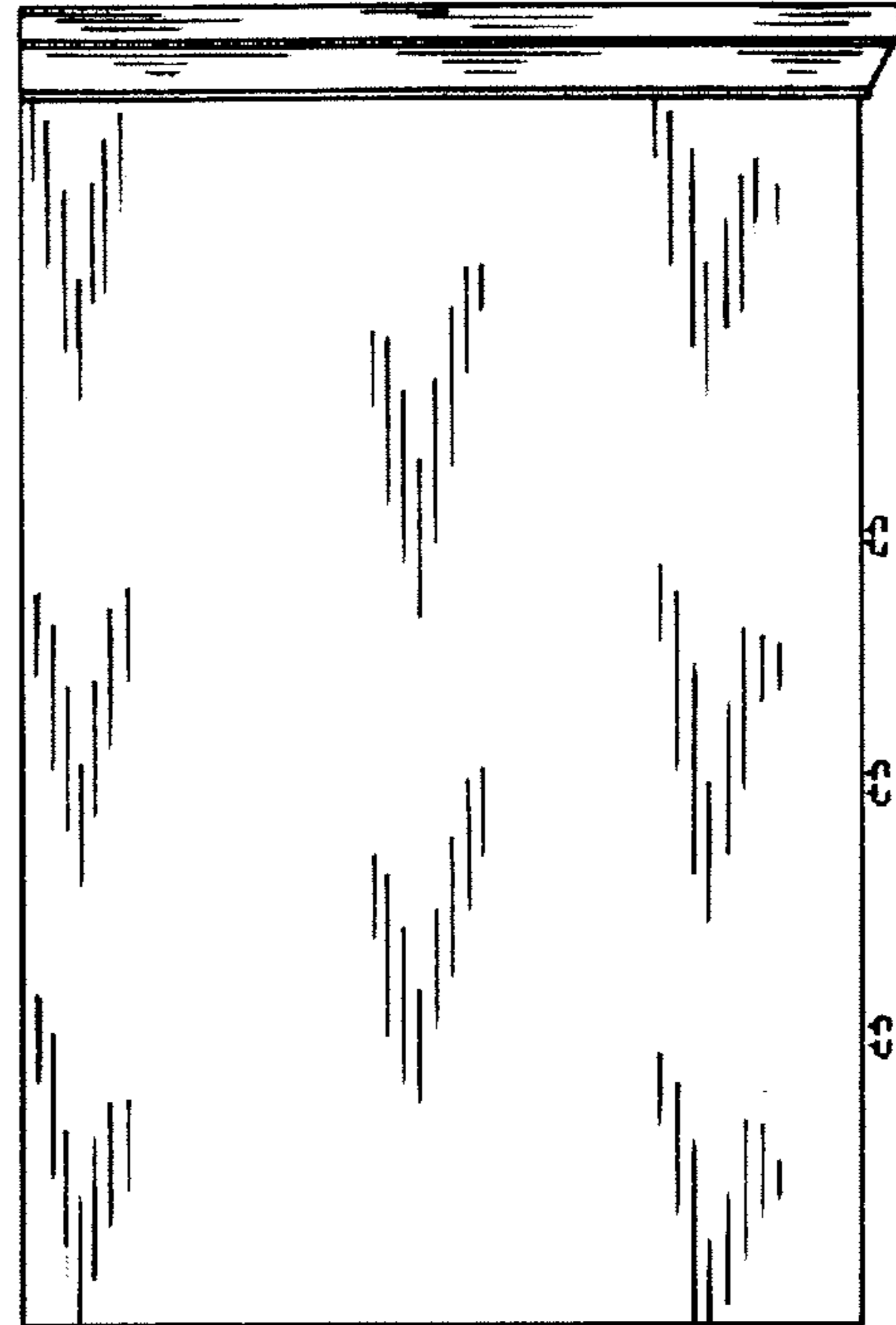


FIG. 7

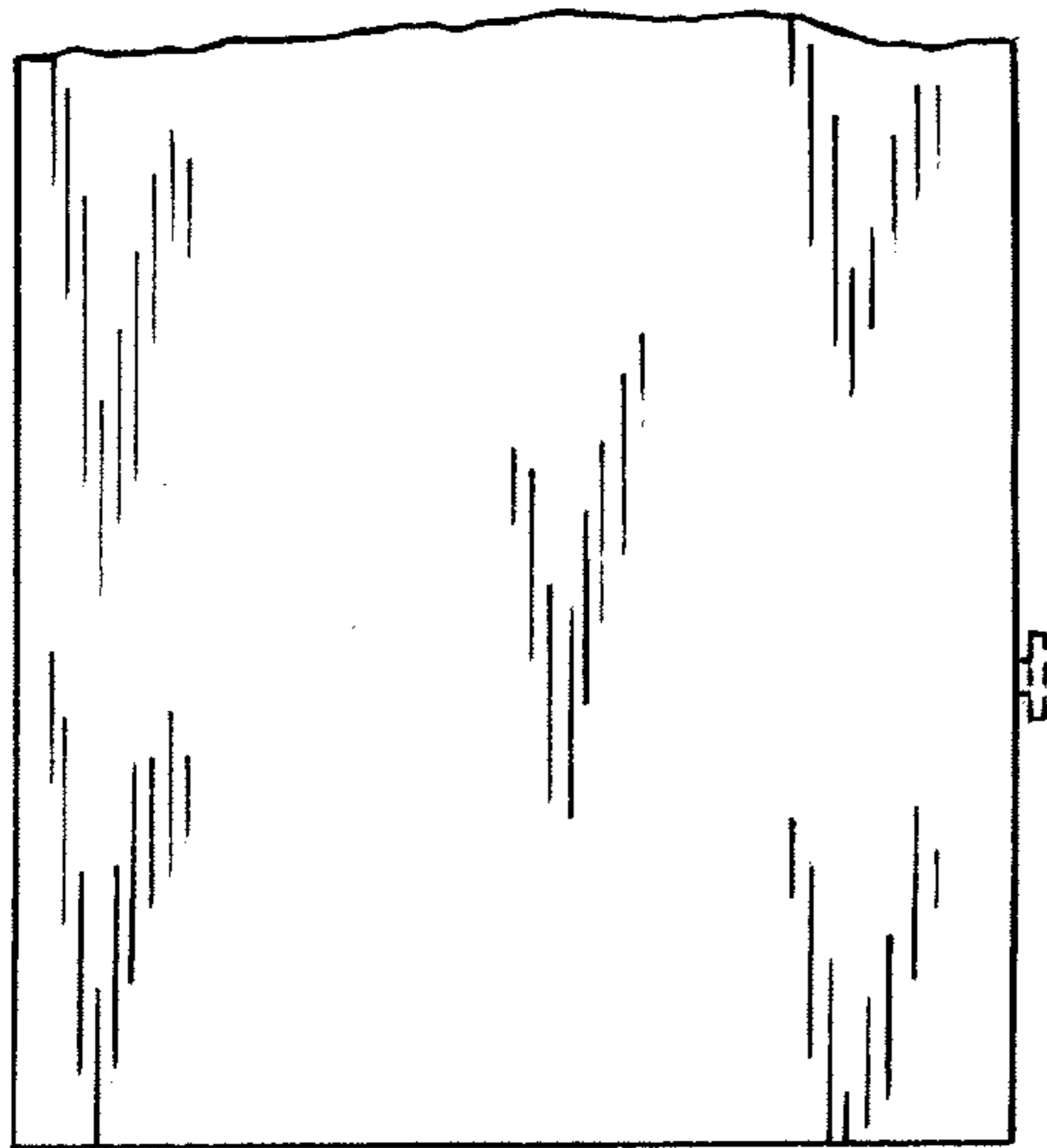


FIG. 8

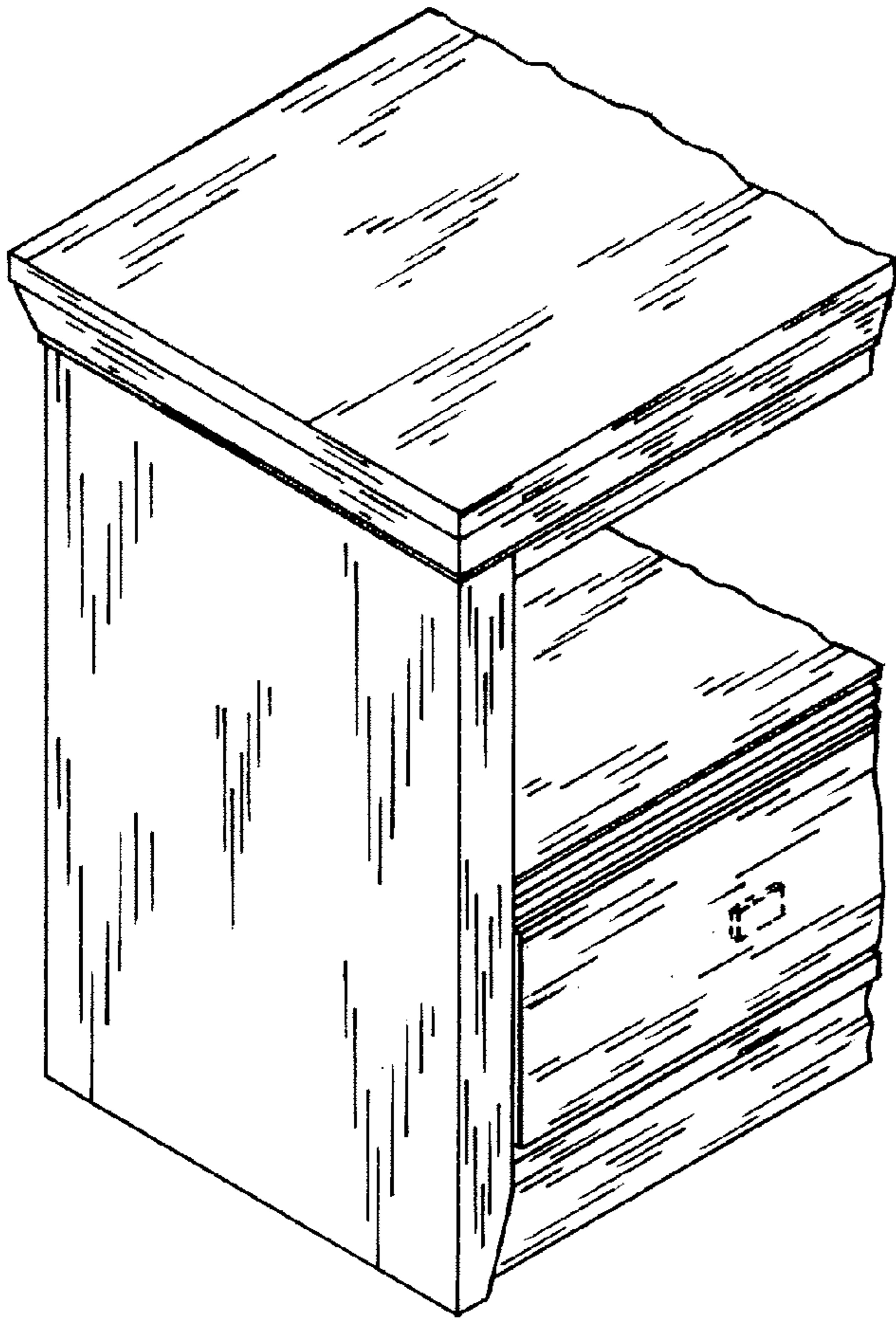


FIG. 9

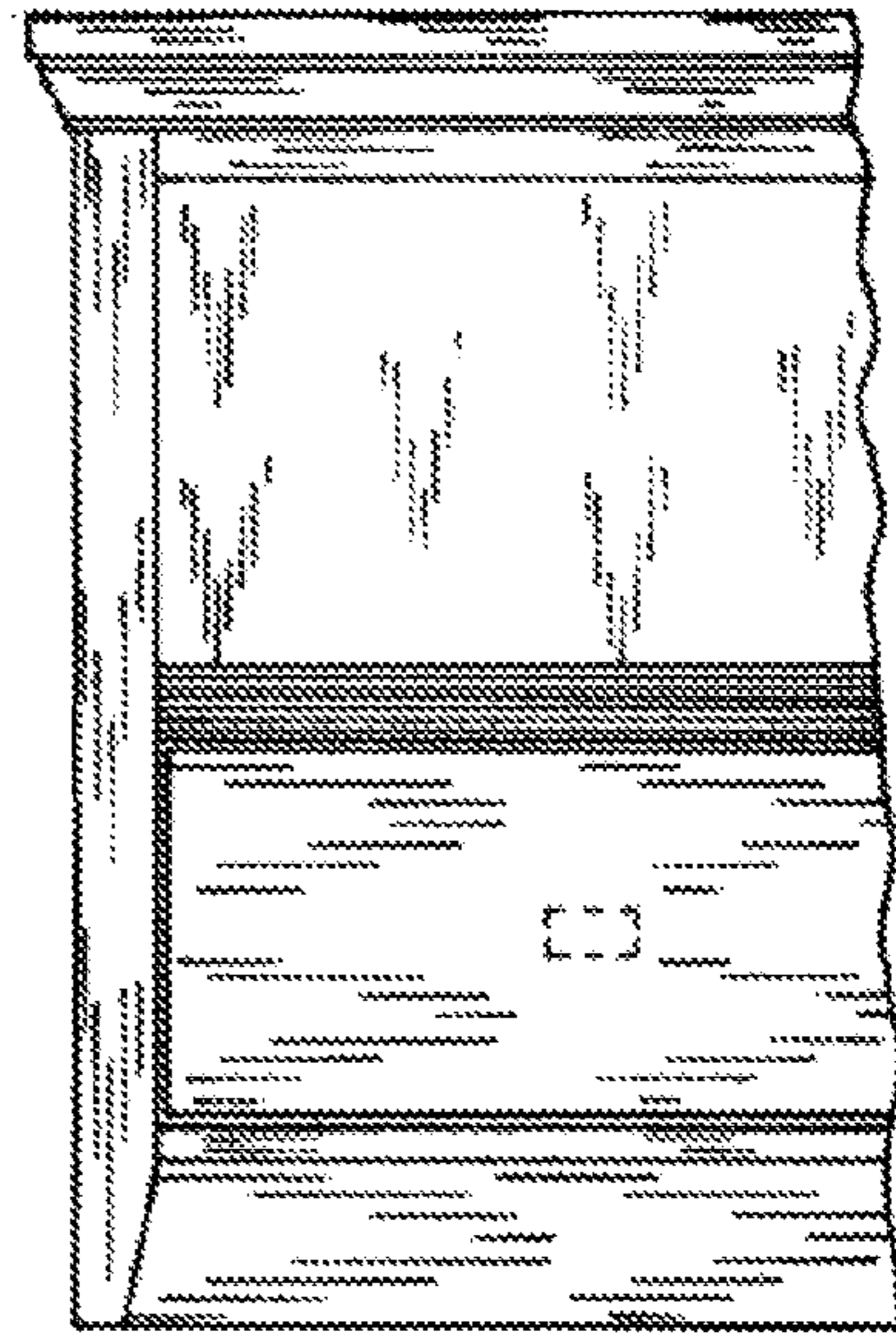


FIG. 10

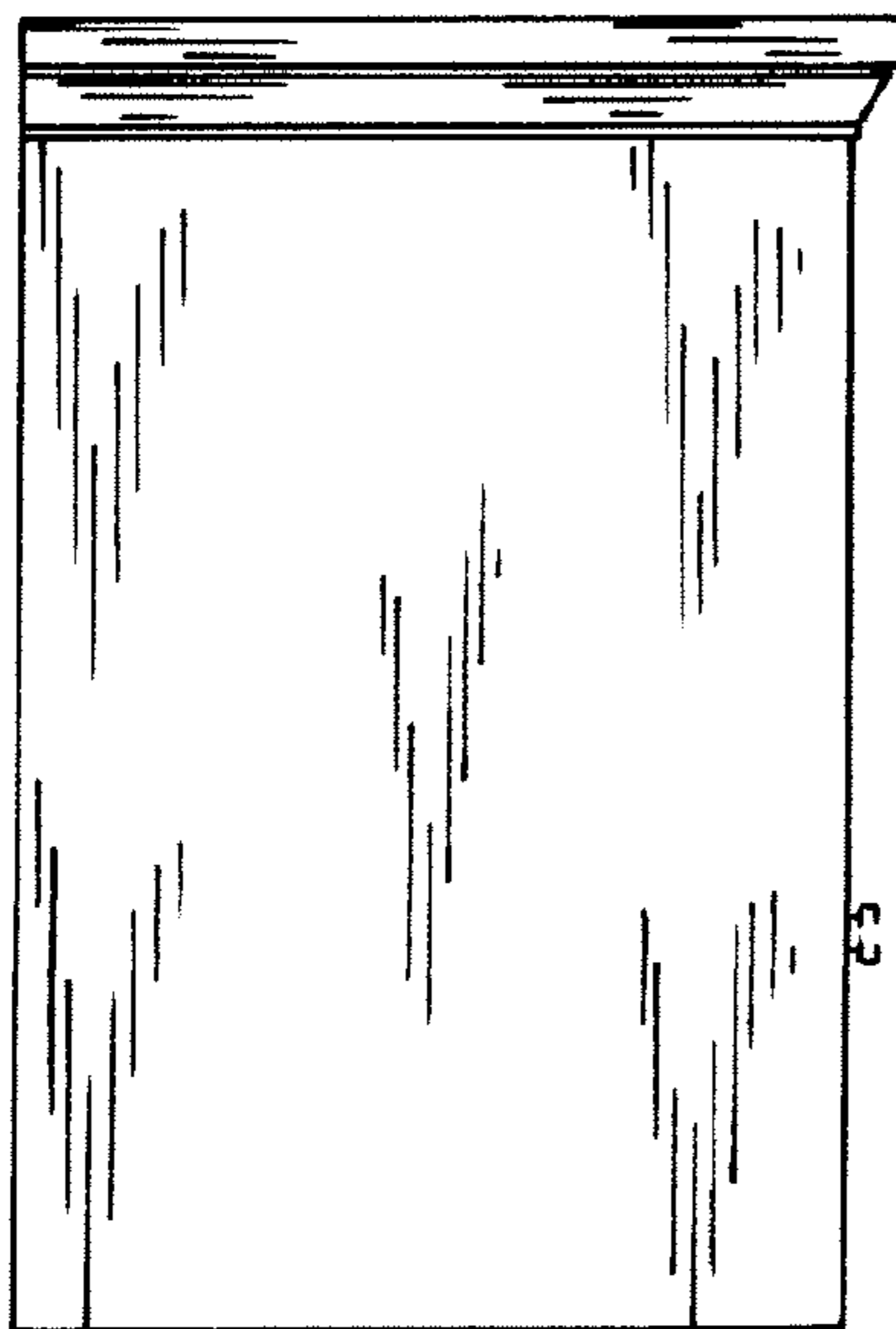


FIG. 11

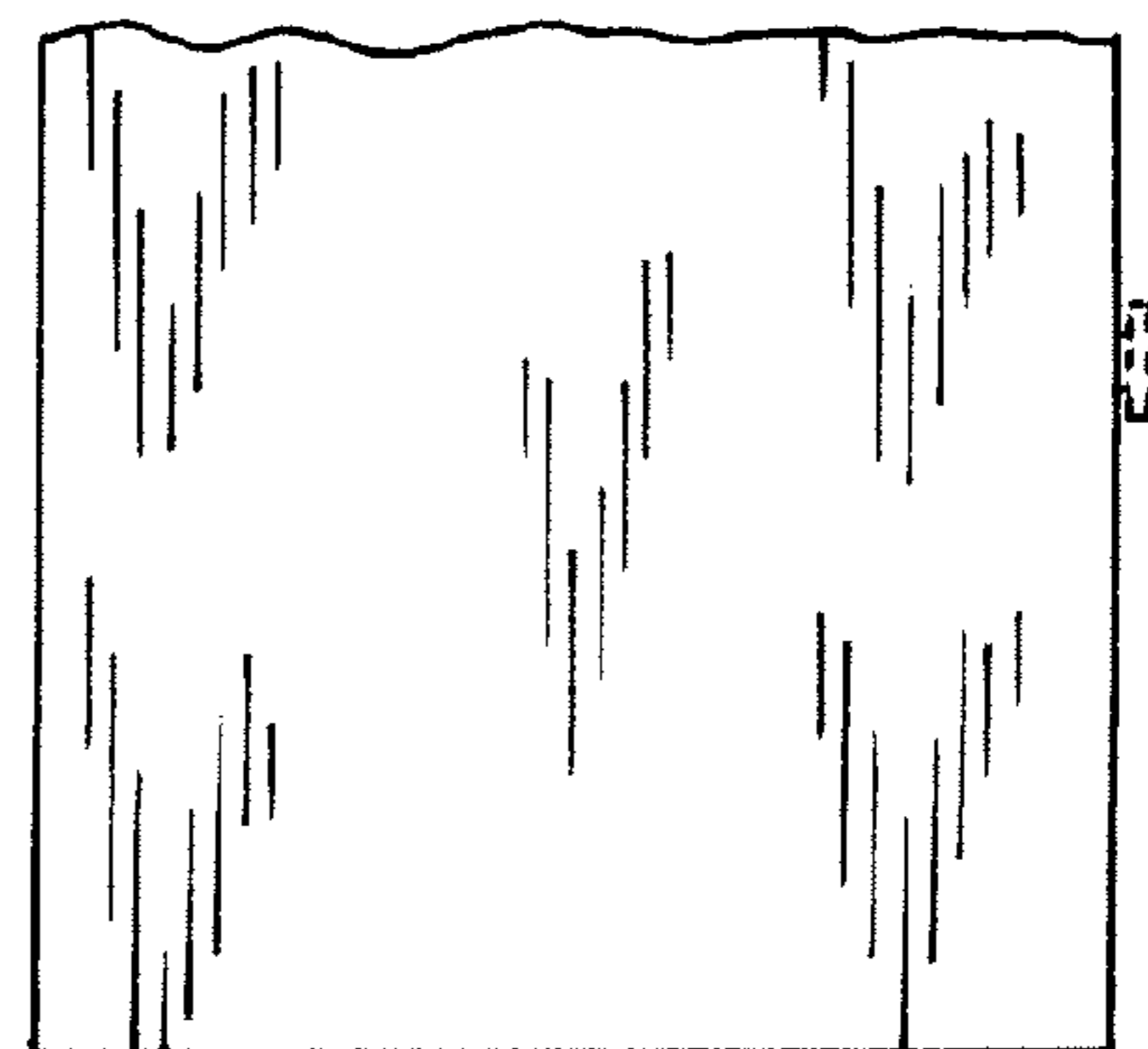


FIG. 12